

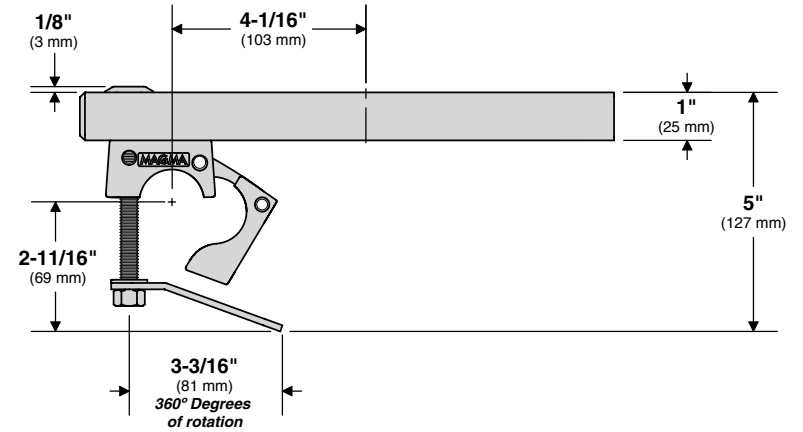
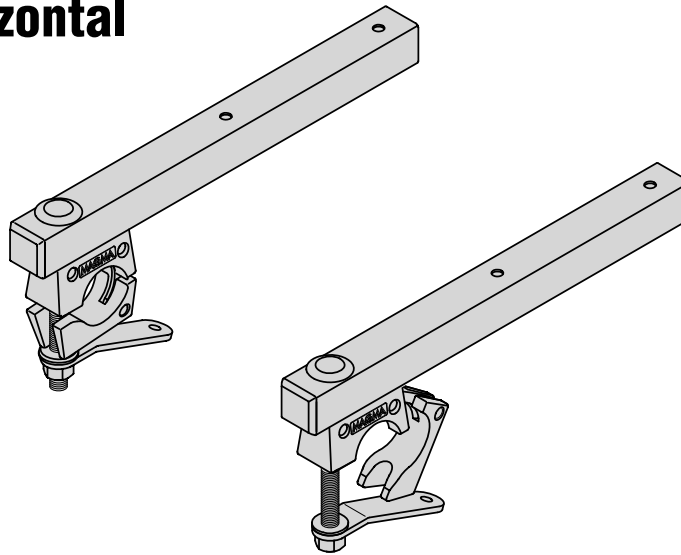
T10-690 "Dual" Extended Horizontal Round Rail Mount

Fits Large Rails 1-1/2"
(38 mm)

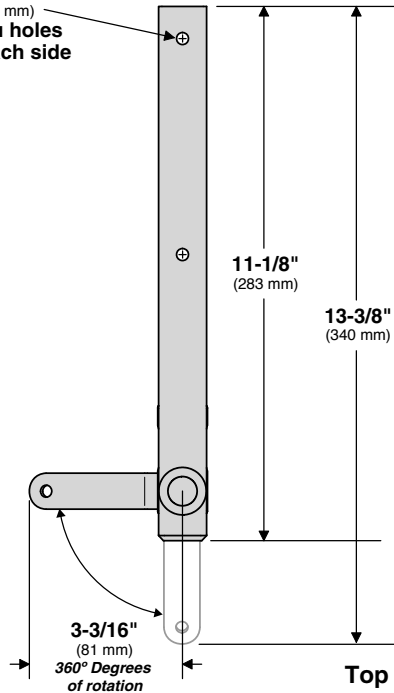
Mount Weight 2.26 lb.
(1.03 kg)



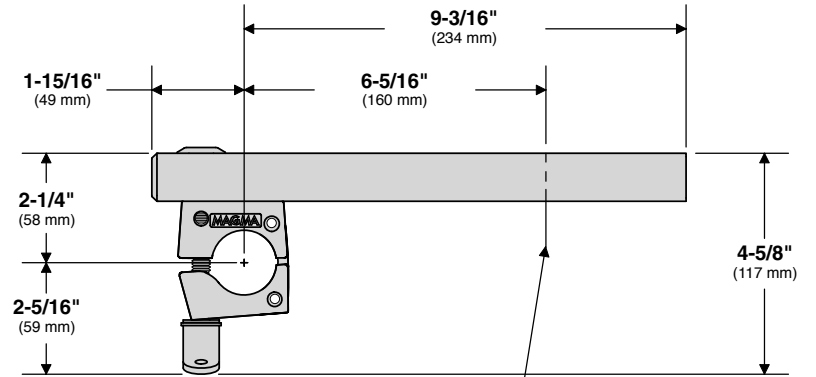
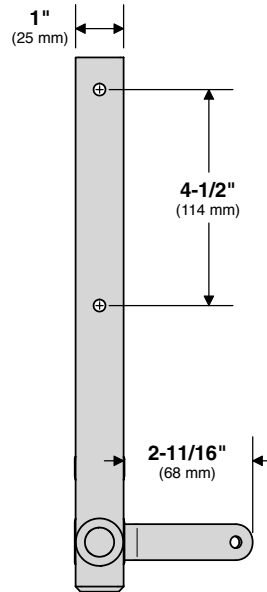
MAGMA PRODUCTS, INC.
3940 Pixie Ave. • Lakewood, CA 90712
Tel: (562) 627-0500
MagmaProducts.com
Mail@MagmaProducts.com



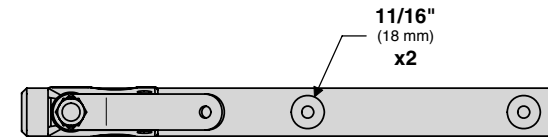
1-1/4"
(6 mm)
Thru holes
x2 each side



Top View



Center of Hole Pattern



Bottom View