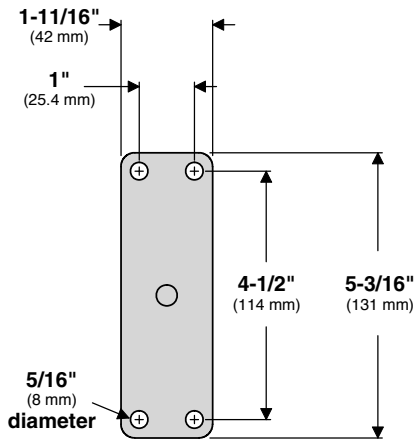
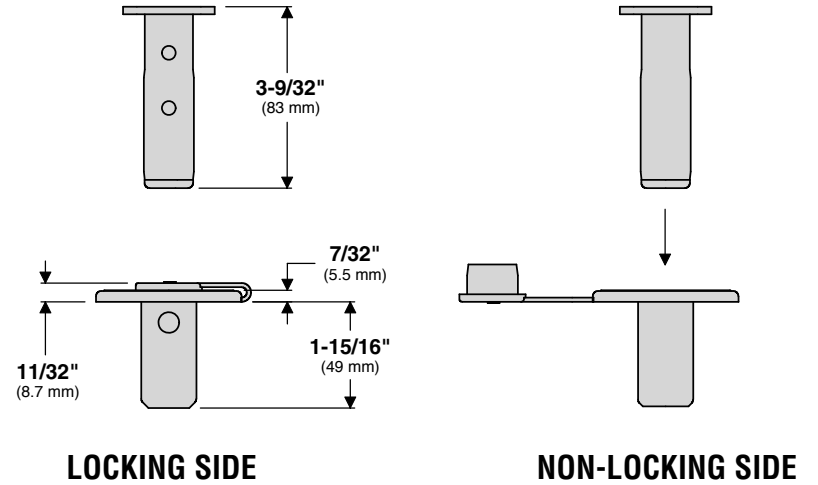
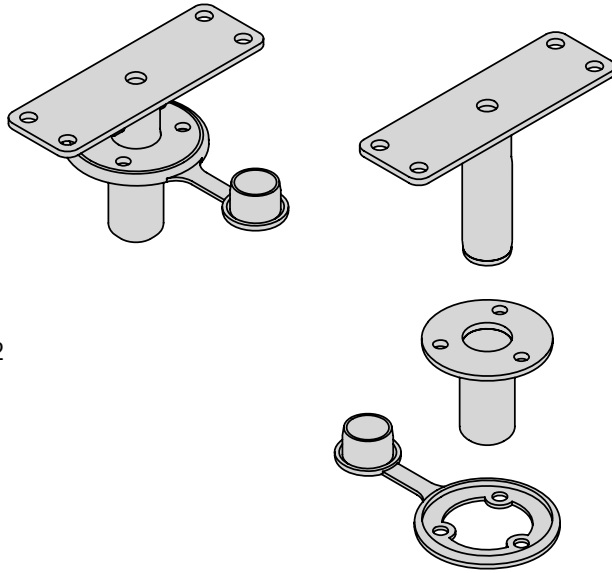


T10-526 "Dual" Locking Flush Deck Socket Mount

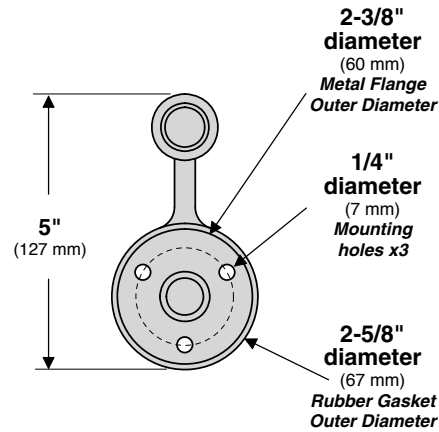
Mount Weight 1.51 lb.
(0.69 kg)



MAGMA PRODUCTS, INC.
3940 Pixie Ave. • Lakewood, CA 90712
Tel: (562) 627-0500
MagmaProducts.com
Mail@MagmaProducts.com



TOP VIEW



SOCKET TOP VIEW

