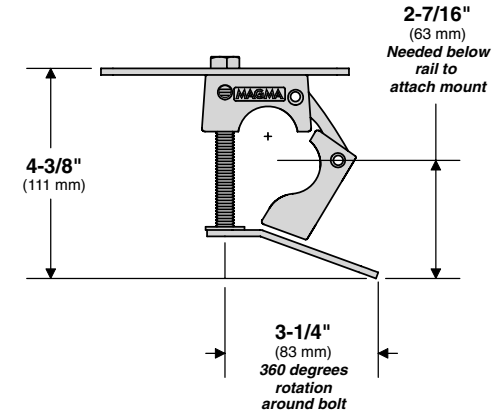
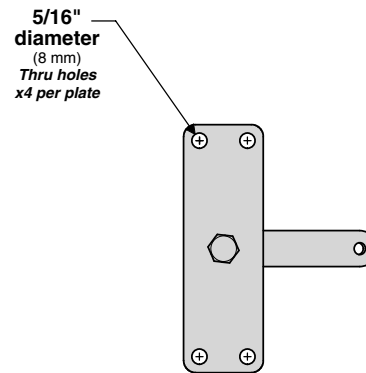
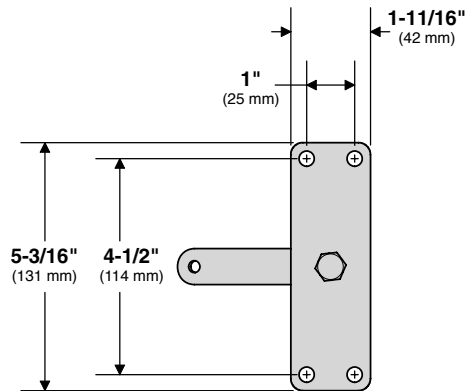
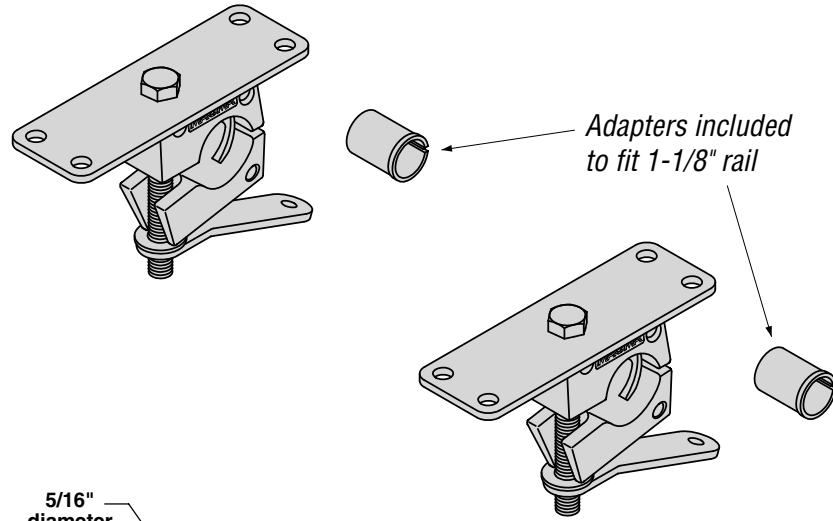


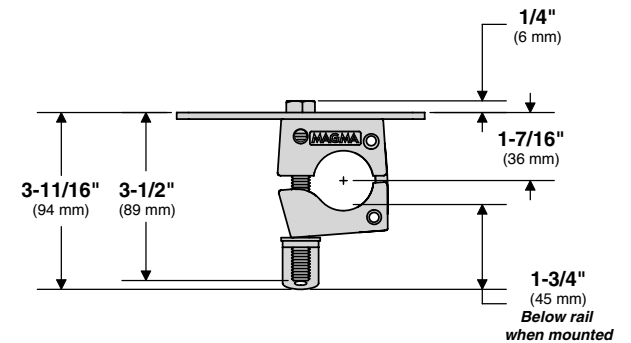
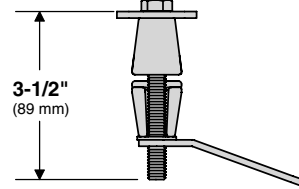
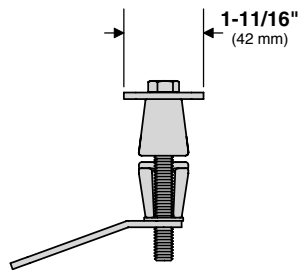
T10-585 "Dual" Horizontal Round Rail Mount

Fits Oversize Rails 1-1/8" or 1-1/4"
(28.5mm or 32 mm)

Mount Weight 1.81 lb.
(0.82 kg)



3-1/4" (83 mm) 360 degrees rotation around bolt



MAGMA PRODUCTS, INC. • 3940 Pixie Ave. • Lakewood, CA 90712 • USA • Tel: (562) 627-0500
MagmaProducts.com • mail@MagmaProducts.com