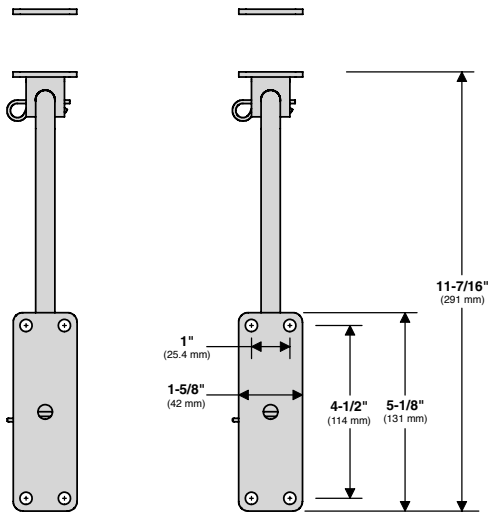
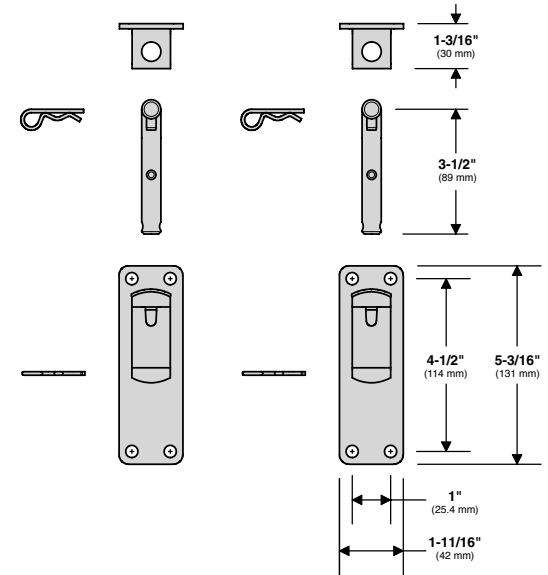
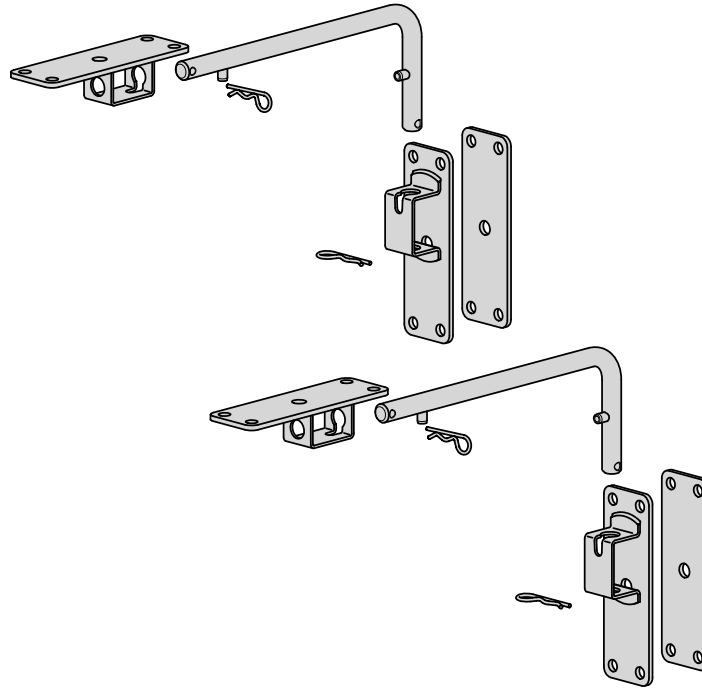


# T10-641 “Dual” Extended Square/Flat Rail Mount

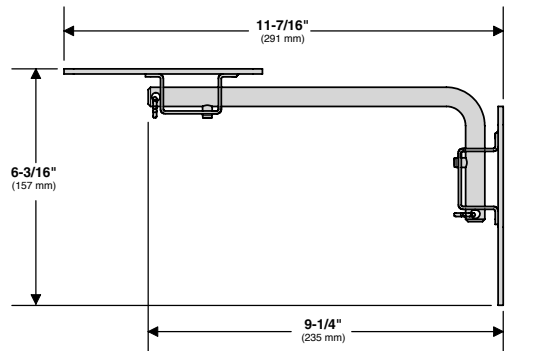
Mount Weight 4.00 lb.  
(1.8 kg)



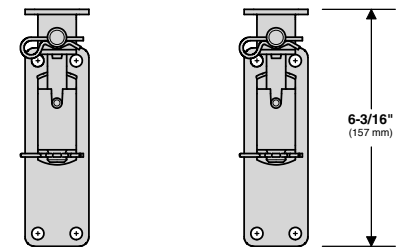
MAGMA PRODUCTS, INC.  
3940 Pixie Ave. • Lakewood, CA 90712  
Tel: (562) 627-0500  
MagmaProducts.com  
Mail@MagmaProducts.com



TOP VIEW



SIDE VIEW



FRONT VIEW