

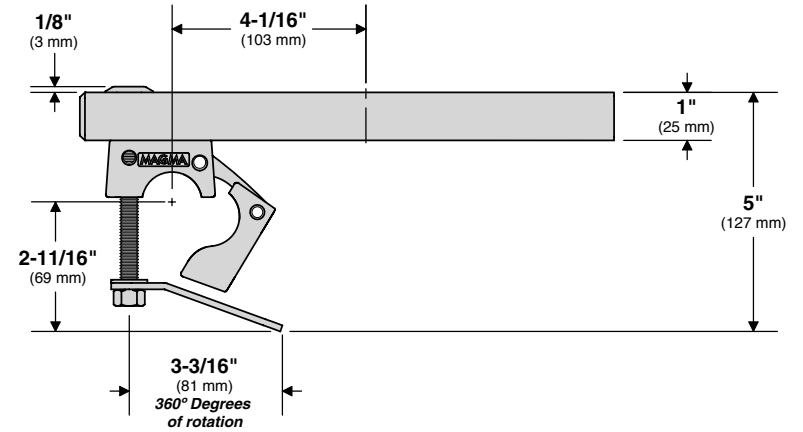
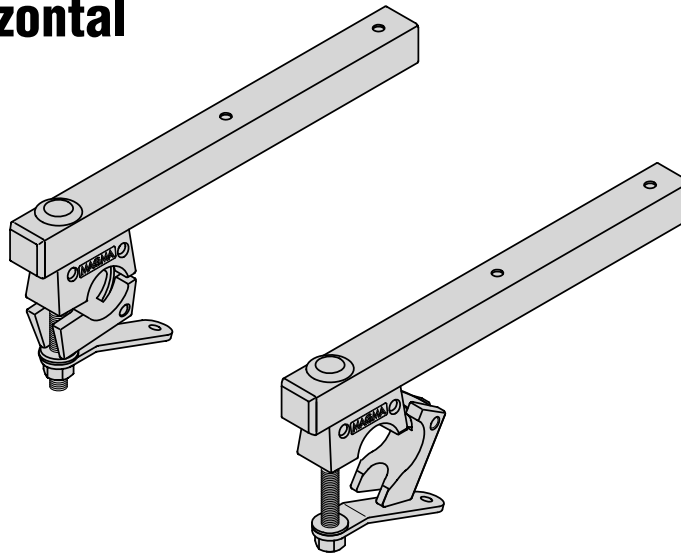
# T10-685 "Dual" Extended Horizontal Round Rail Mount

Fits Oversize Rails 1-1/4"  
(32 mm)

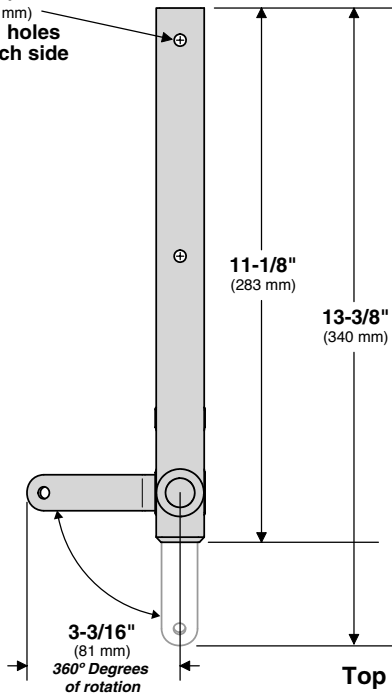
Mount Weight 2.26 lb.  
(1.03 kg)



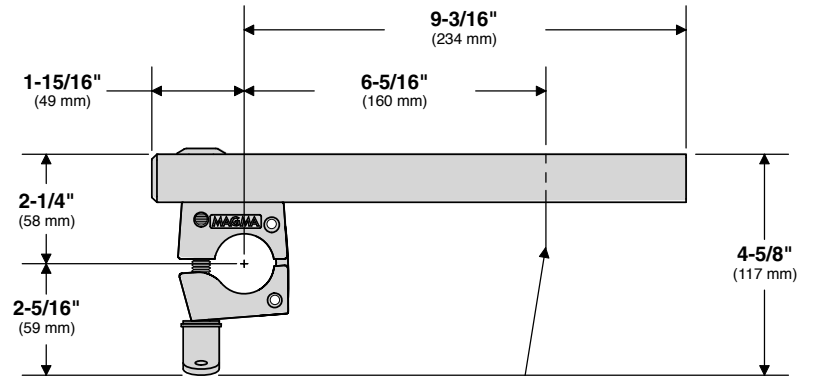
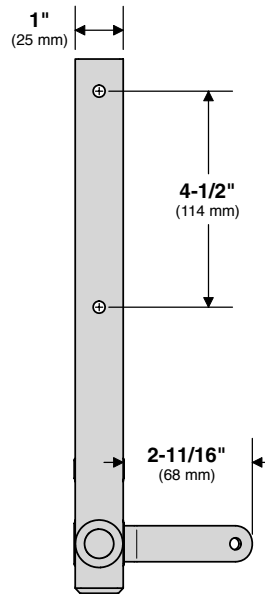
MAGMA PRODUCTS, INC.  
3940 Pixie Ave. • Lakewood, CA 90712  
Tel: (562) 627-0500  
MagmaProducts.com  
Mail@MagmaProducts.com



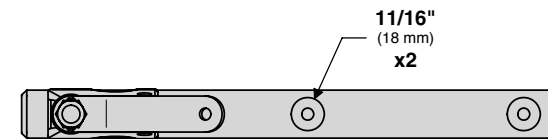
1-1/4"  
(6 mm)  
Thru holes  
x2 each side



Top View



Center of Hole Pattern



Bottom View