

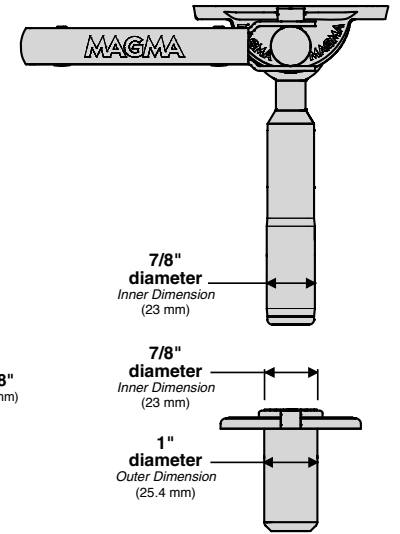
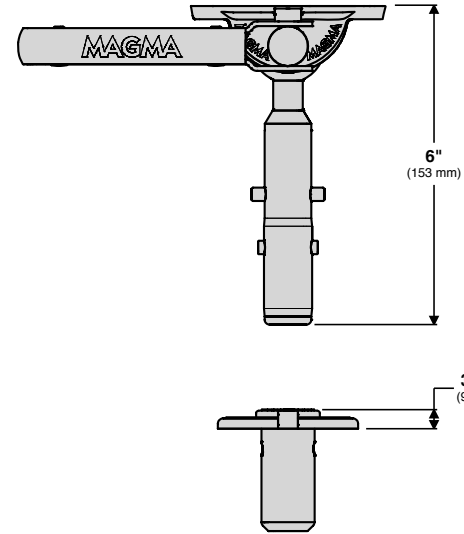
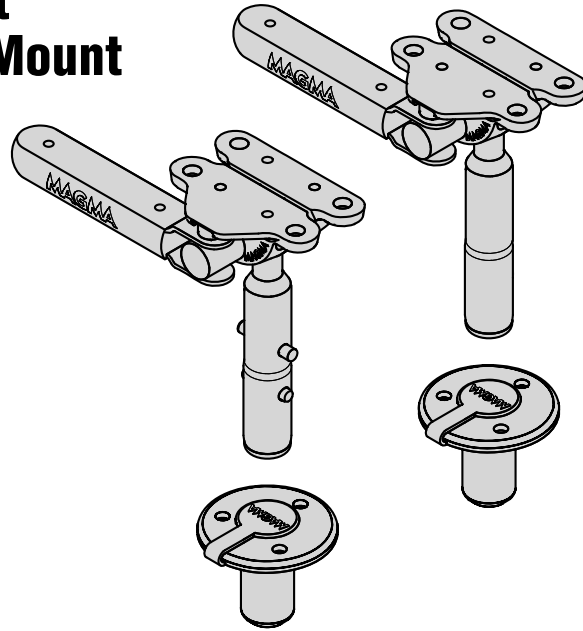
# T10-527

## “Dual” Locking Flush Deck Socket with “Levelock” Mount

Mount Weight 2.40 lb.  
(1.1 kg)

### MAGMA

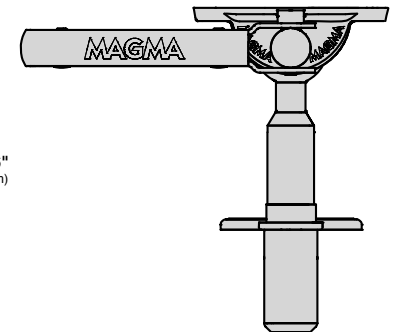
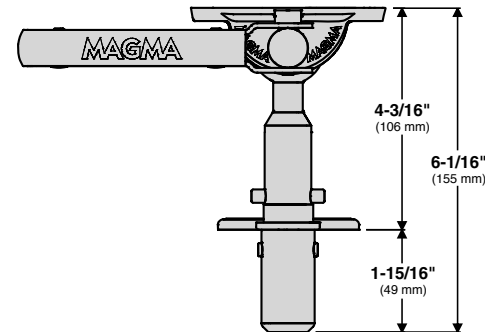
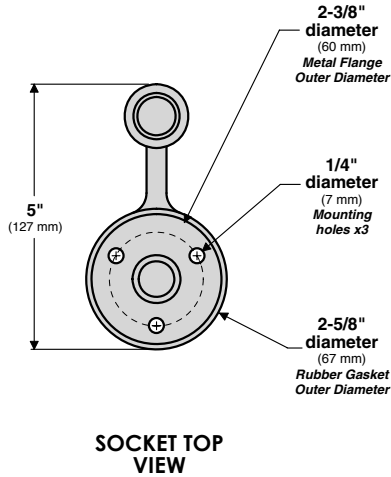
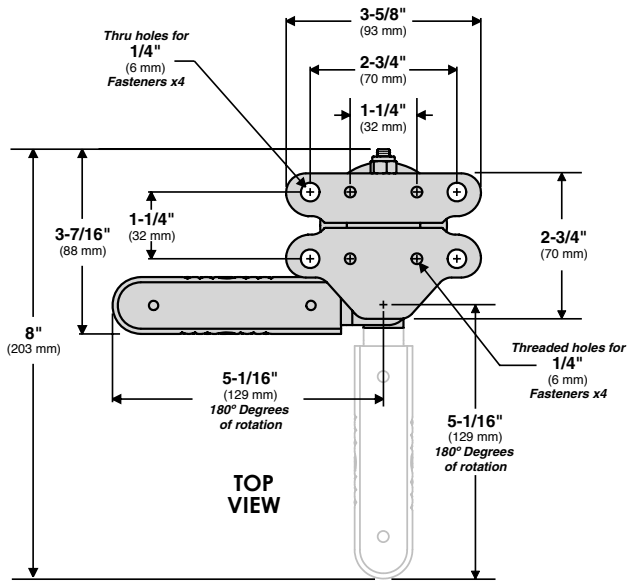
MAGMA PRODUCTS, INC.  
3940 Pixie Ave. • Lakewood, CA 90712  
Tel: (562) 627-0500  
MagmaProducts.com  
Mail@MagmaProducts.com



**7/8" diameter**  
Inner Dimension  
(23 mm)

**7/8" diameter**  
Inner Dimension  
(23 mm)

**1" diameter**  
Outer Dimension  
(25.4 mm)



**4-3/16" diameter**  
(106 mm)

**6-1/16" diameter**  
(155 mm)

**1-15/16" diameter**  
(49 mm)