

**INSTALLATION INSTRUCTIONS**  
**HELIOS 2000**



WARM AIR UNIT  
HELIOS 2000

## Technical data

The blower heater is delivered with an open grill in front for warm air, as standard. The heat coil with copper pipes & aluminium disks was designed to give the best heat transfer from water to air. 16 bars is the maximum pressure in the water circuit. The fan is composed of a two speed motor with an axial fan. A slide type bearings is used. The inlet air is taken through a grating on the backside of the unit.

### Caractéristiques techniques\* Technical specifications\*

HÉLIOS 2000		HÉLIOS 4000	
1/1	1/2	1/1	1/2
Jour/Day	Nuit/Night	Jour/Day	Nuit/Night
12 / 24 V	12 / 24 V	12 / 24 V	12 / 24 V
2000 W	1500 W	4000 W	3000 W
125 m <sup>3</sup> /h	80 m <sup>3</sup> /h	250 m <sup>3</sup> /h	160 m <sup>3</sup> /h
0,9 A / 0,45 A	0,7 A / 0,35 A	1,8 A / 0,9 A	1,4 A / 0,7 A
41 dBA	34 dBA	48 dBA	41 dBA
Long life : 30 000 h		Long life : 30 000 h	
850 g		1,6 Kg	
Ø 16 mm		Ø 16 mm	

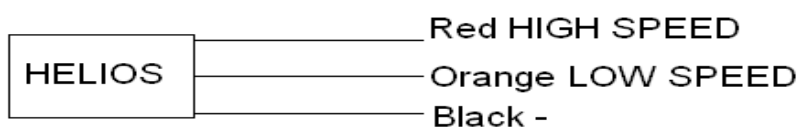
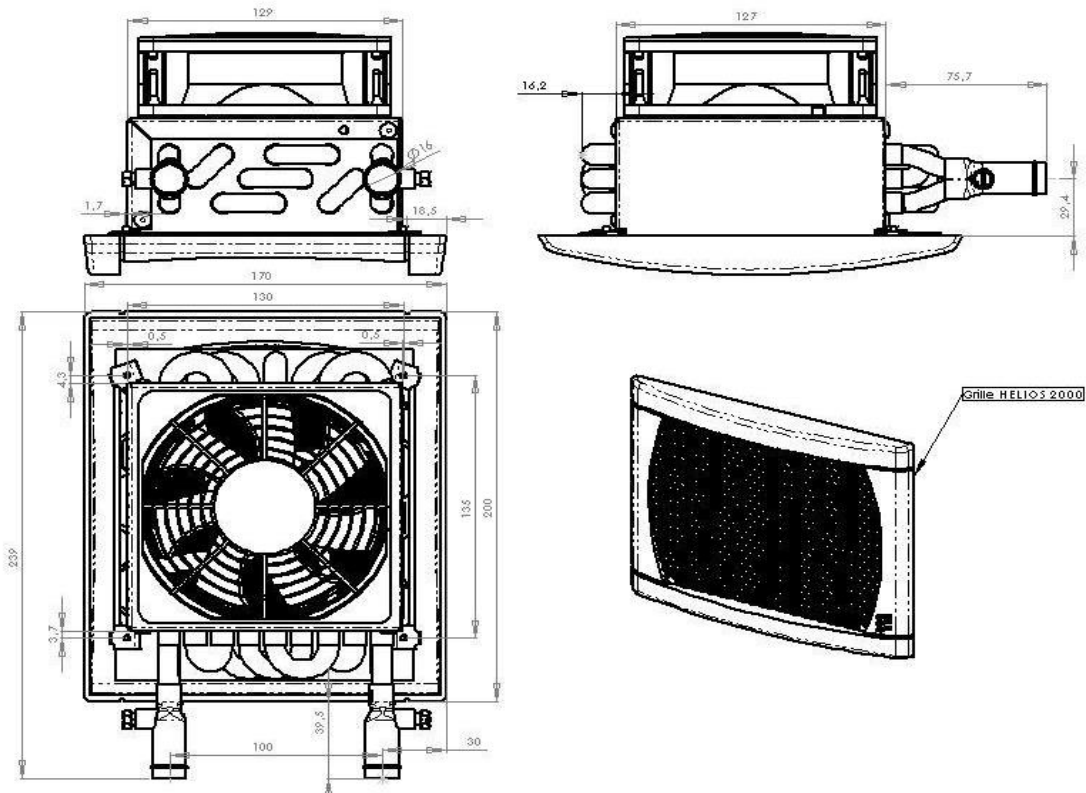
## Function

The heater operates with a switch or a cabin thermostat. See separate electrical wiring diagram.

### Electrical connection

The unit is fitted with three connection cables: red, orange and black.

NOTE: FOR FULL SAFETY USE FUSE 5 A.

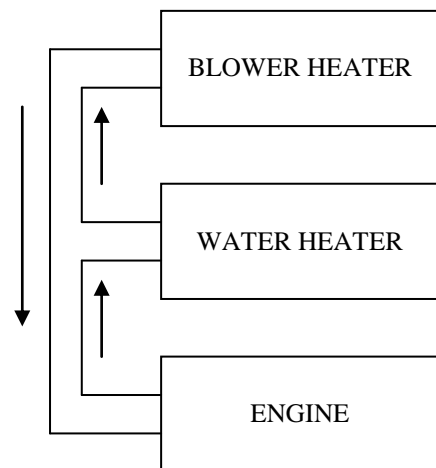
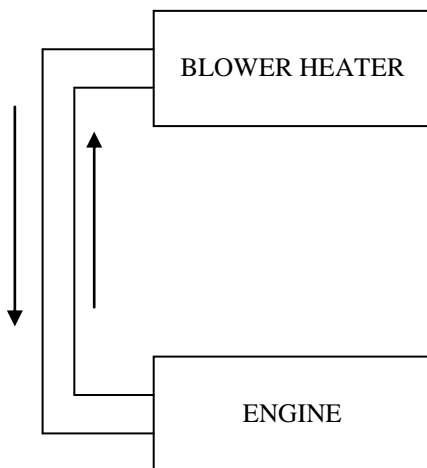


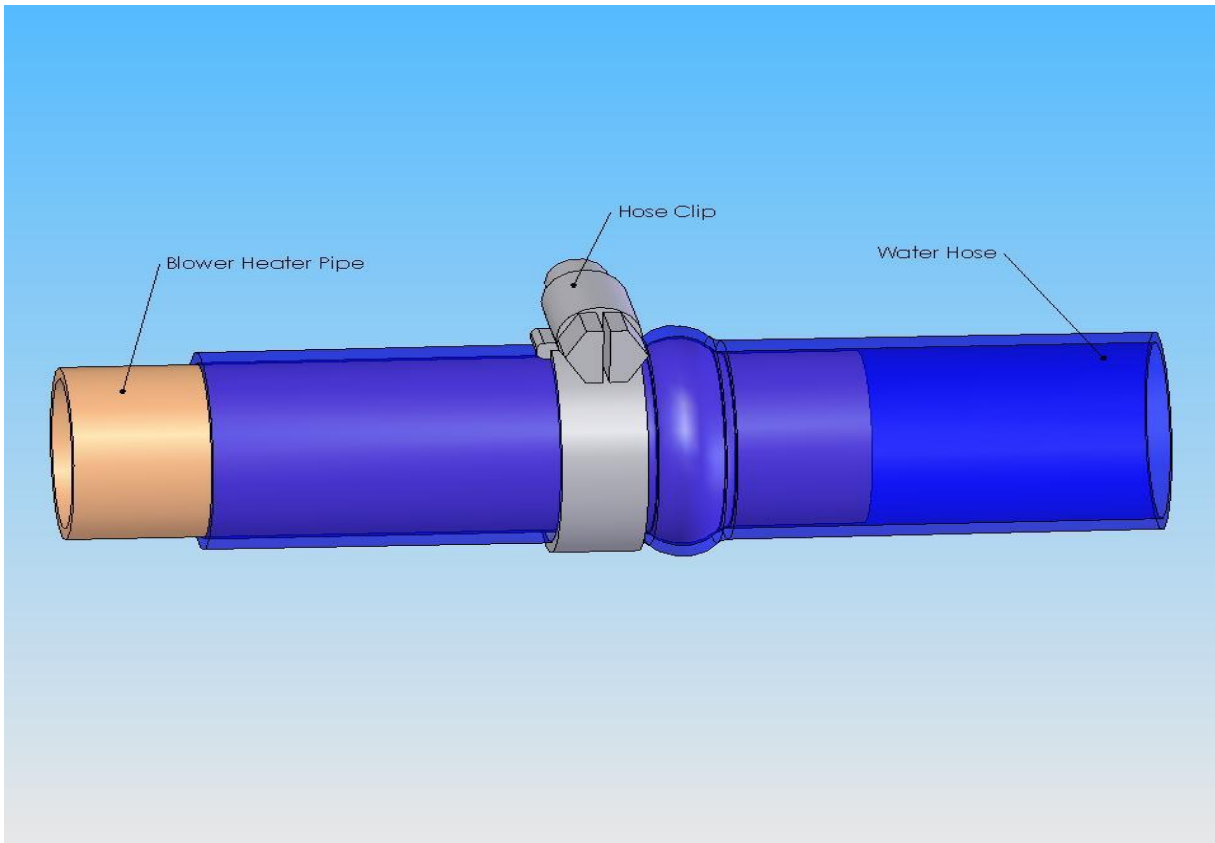
## Water connection

Blower heater has to be connected to the engine cooling water only.

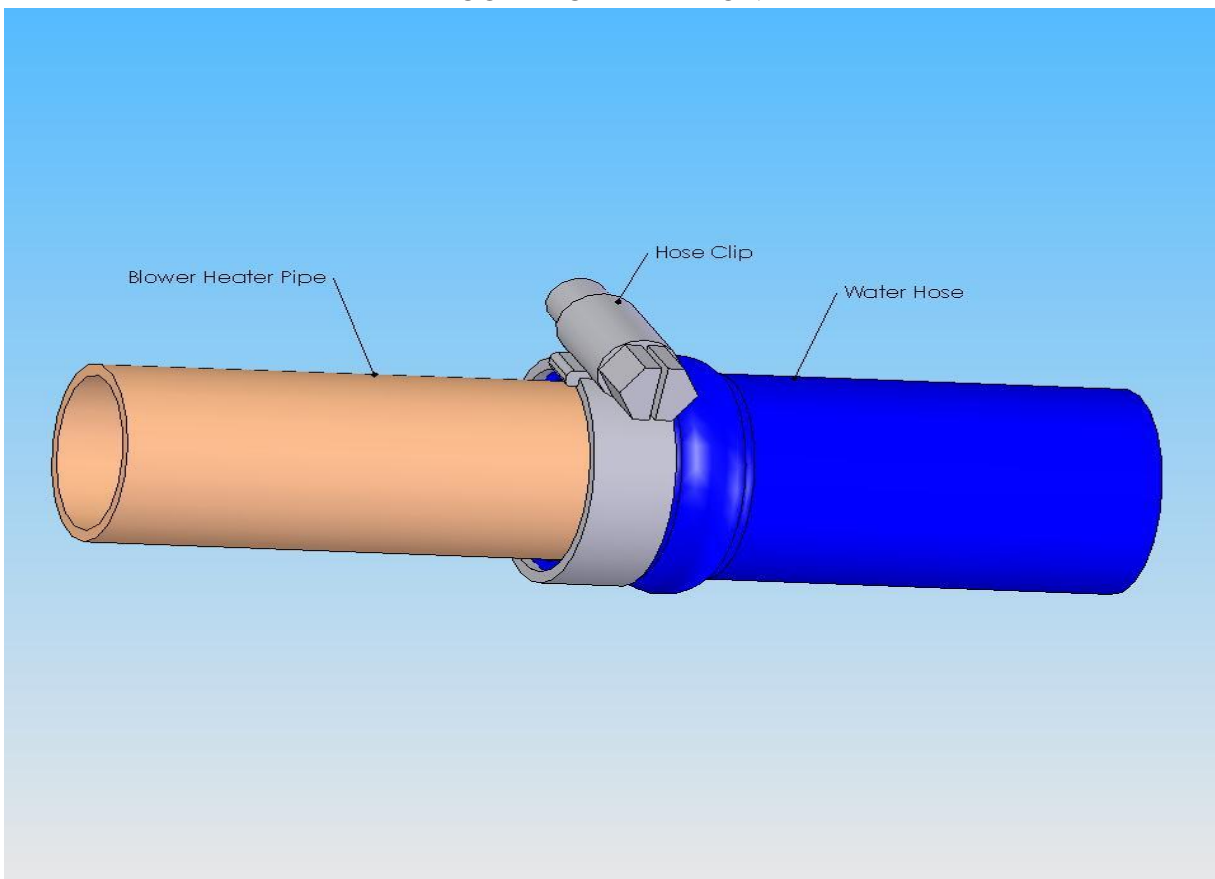
**Reinforced rubber hoses of approved type (diameter 16 mm) must be used.**

For a best capacity and water circulation, the blower heater must be installed lower than the engine expansion level.





**CORRECT FIXATION**



**UNCORRECT FIXATION**