



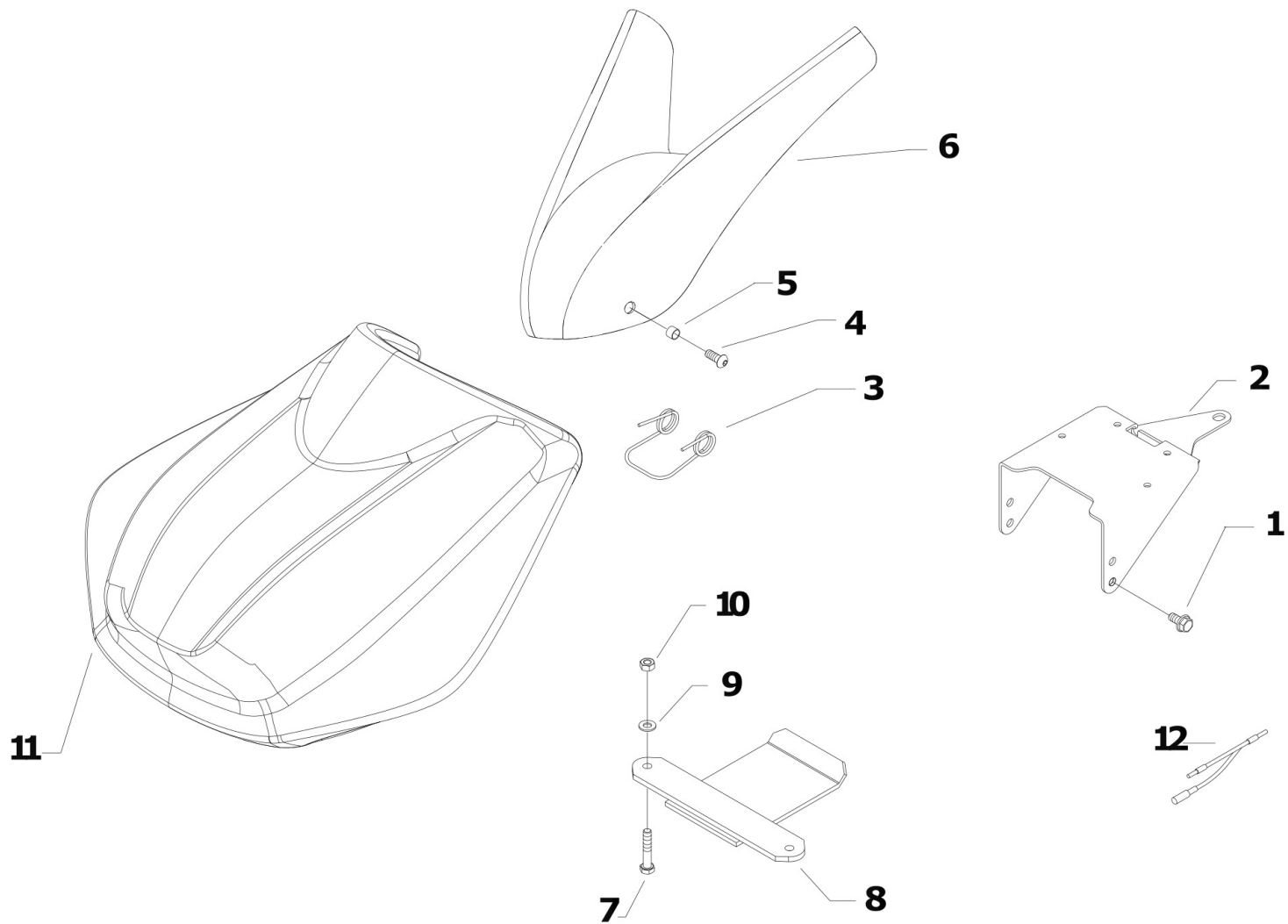
BCS Motor mowers, BCS 2-wheel tractors

635 HY PS - HY ER PS



A60025 - 635 HY PS - HY ER PS.....	3
A.01.02.A0045_00 - ACCESSORIES MACHINE / ENGINE.....	5
B.01.01.A0039_00 - POWERSAFE CLUCH CONTROL.....	7
C.01.01.A0039_00 - CYLINDER AND POWERSAFE CLUTCH.....	9
D.01.02.A0041_00 - POWERSAFE FILTER AND UNIT.....	11
D.01.02.A0028_02 - POWERSAFE FILTER AND UNIT.....	13
E.01.02.A0041_00 - POWERSAFE CLUTCH HUB.....	15
F.01.02.A0041_00 - ENGINE FLANGES.....	17
G.01.02.A0045_00 - GEARBOX.....	19
H.01.02.A0045_00 - GEAR SHAFT CLUTCH.....	21
H.02.02.A0045_00 - REFERENCE GEAR / SHAFT CLUTCH.....	23
H.03.02.A0045_00 - REFERENCE GEAR.....	25
H.04.02.A0045_00 - PUMP ASSEMBLY.....	27
H.05.02.A0045_00 - PUMP CONTROL.....	29
I.01.02.A0045_00 - WHEEL AXLE.....	31
J.01.02.A0045_00 - STEERING COLUMN.....	33
K.01.02.A0045_00 - HANDLEBAR.....	36
L.01.02.A0045_00 - HANDLEBAR CONTROLS EASYGRIP.....	38
L.02.02.A0045_00 - HANDLEBAR CONTROLS EASYRIDER.....	41
M.01.02.A0045_00 - AUCTION OF CONTROL.....	43
N.01.02.A0045_00 - BRAKES.....	45
P.01.02.A0045_00 - WHEELS.....	47
R.01.02.A0045_00 - STICKERS.....	49





 [Click for info](#)

★ = new part



BCS Motor mowers, BCS 2-wheel tractors - 635 HY PS - HY ER PS

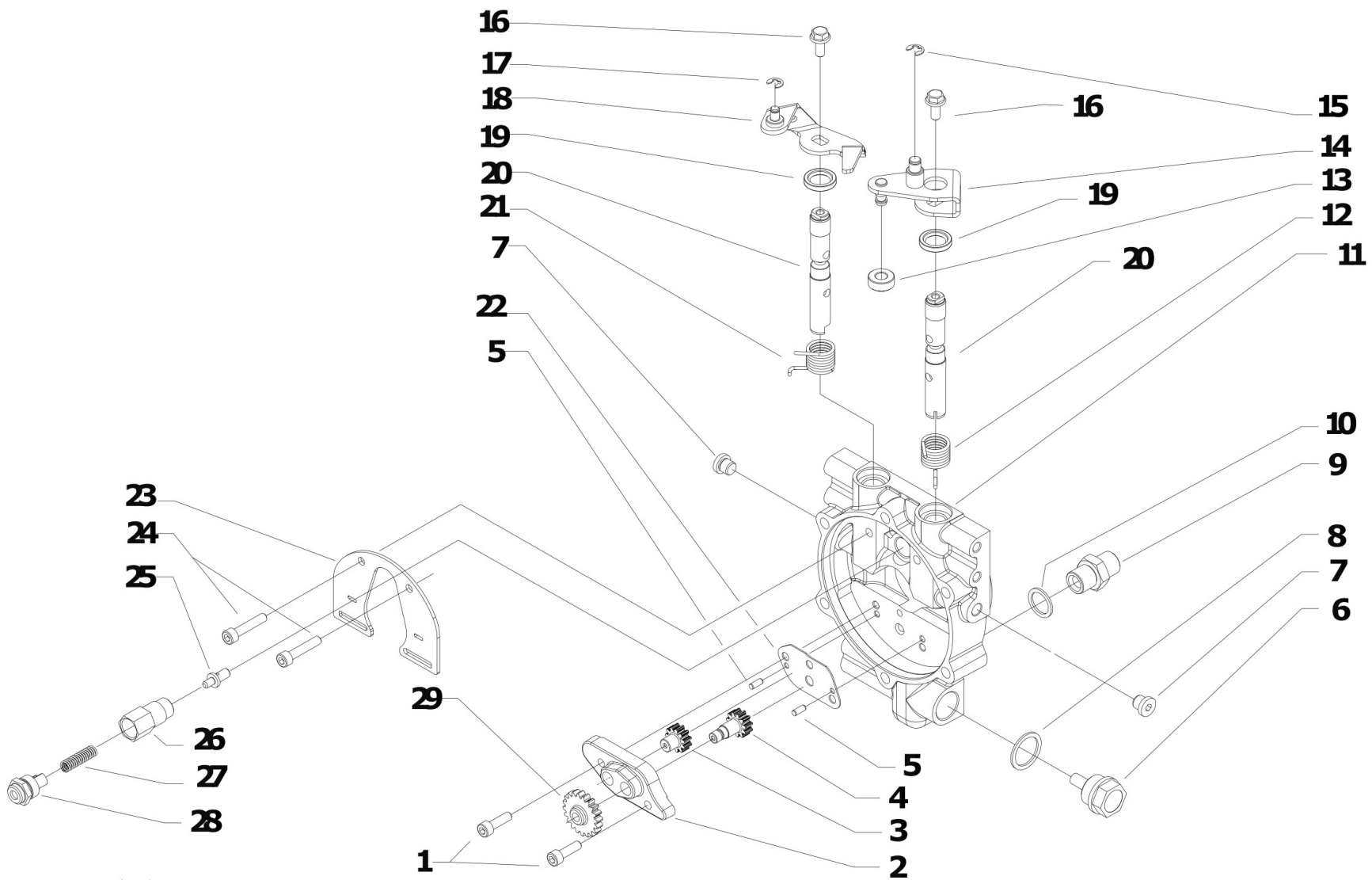
A.01.02.A0045_00 - ACCESSORIES MACHINE / ENGINE

Pos.	Id	Q.ty	Description	Note
1	31112166		SCREW TE C/F M8X25 DIN 6921 8G	
2	561C1680N		TUNNEL MC HY	
3	58056889		RETAINING SPRING	
4	31121005		SCREW TBCEI FLANG. M6X25	
5	56157555		TUBE	
6	55257501		SMALL COVER	
7	31112169		SCREW TE C/F M8X40 DIN 6921	GX340 - L100
7	31112213		SCREW TE M10X40 UNI 5739	KD350
8	56156119N		SHIELD	GX340
8	59056051N		SHIELD	KD350
8	59056111N		SHIELD	L100
9	31411084		WASHER 8,4x17	L100
9	31411104		WASHER 10,5x18	KD350
10	31241084		SELFLOCK NUT M8 6S	GX340 - L100
10	31241100		SELFLOCK HEXAGON NUT M10	KD350
11	55257500		BODYWORK	
12	58057385		LINE	



BCS Motor mowers, BCS 2-wheel tractors - 635 HY PS - HY ER PS

A.01.02.A0045_00 - ACCESSORIES MACHINE / ENGINE



 [Click for info](#)

★ = new part



BCS Motor mowers, BCS 2-wheel tractors - 635 HY PS - HY ER PS

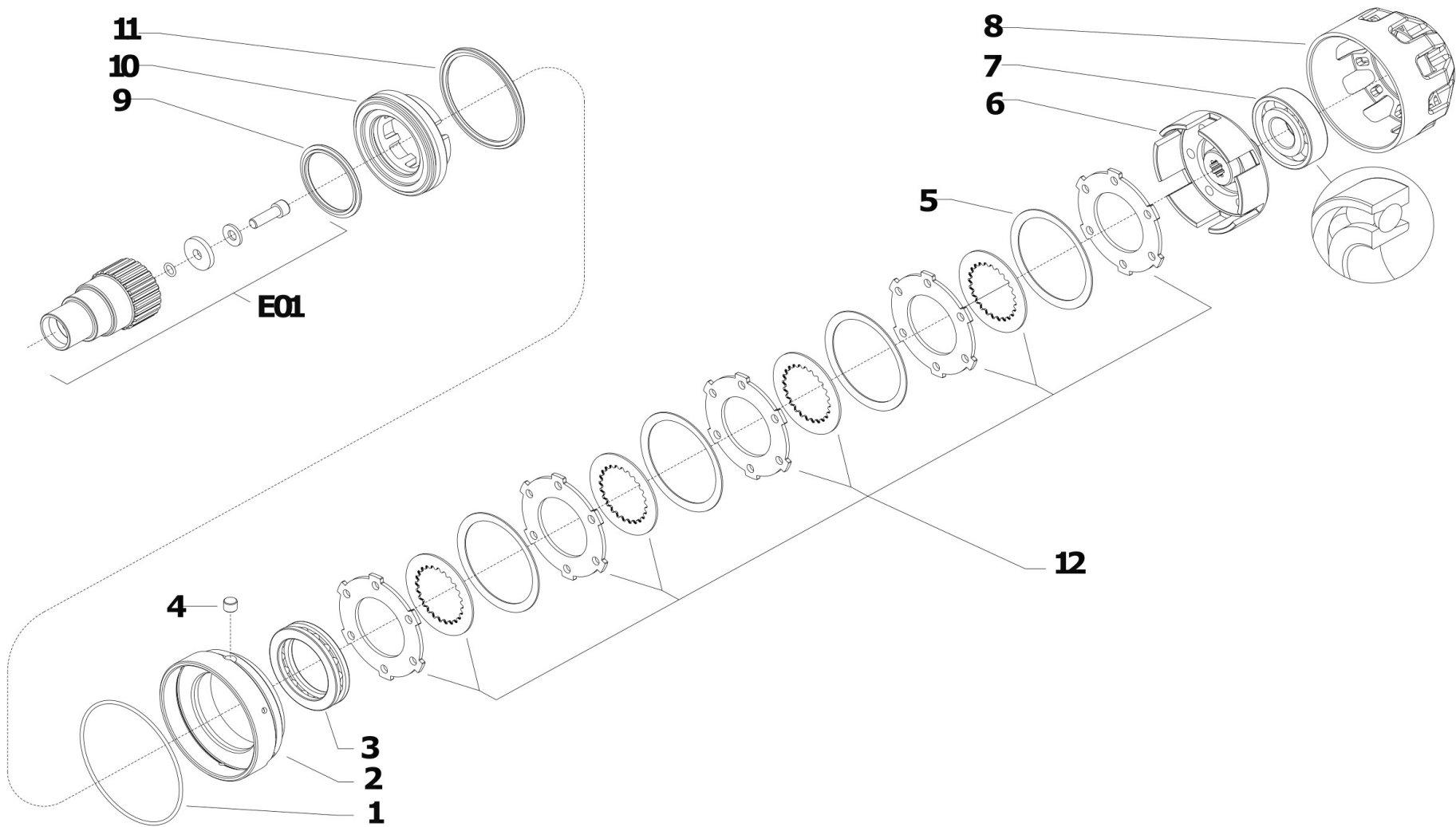
B.01.01.A0039_00 - POWERSAFE CLUCH CONTROL

Pos.	Id	Q.ty	Description	Note
1	31152063		SCREW TCEI M6X20 UNI 5931	
2	56356364		PUMP COVER PS/14	
3	52456371		PUMP GEAR PS/14	
4	52456372		PUMP GEAR	
5	34221040		CYLINDRICAL PLUG	
6	58170021		PLUG	
7	580C0041		PLUG	
8	F0844273090		GASKET 22X28X1,5 CU 99,5	
9	30000197		NIPPLE	
10	31480184		COPPER WASHER 16,7x22/1,5	
11	59256745		POWERSAFE CLUTCH FLANGE	
12	58056222		SPRING	
13	55256228		ROLLER	
14	59056225Z		CLUTCH LEVER	
15	35211060		SEEGER RING E 6 UNI 7434	
16	31112084		SCREW TE C/F M6X14 DIN 6921 8G	
17	35211050		SEEGER RING E 5 UNI 7434	
18	59056748Z		COMPLETE STOP LEVER PS GALV.	
19	38211400		OIL SEAL 14X22X4	
20	52456220		DISTRIBUTOR	
21	58056221		SPRING	
22	56356747		PUMP RECEPTOR PS/14	
23	56156224		SHIELD	
24	31152060		SCREW TCEI M6X30 UNI 5931	
25	56456657		VALVE	
26	56156658		VALVE INSERT/INLET	
27	58056683		SPRING	
28	56356242		PLUG	
29	52456235		PUMP GEAR	



BCS Motor mowers, BCS 2-wheel tractors - 635 HY PS - HY ER PS

B.01.01.A0039_00 - POWERSAFE CLUCH CONTROL



 [Click for info](#)

★ = new part

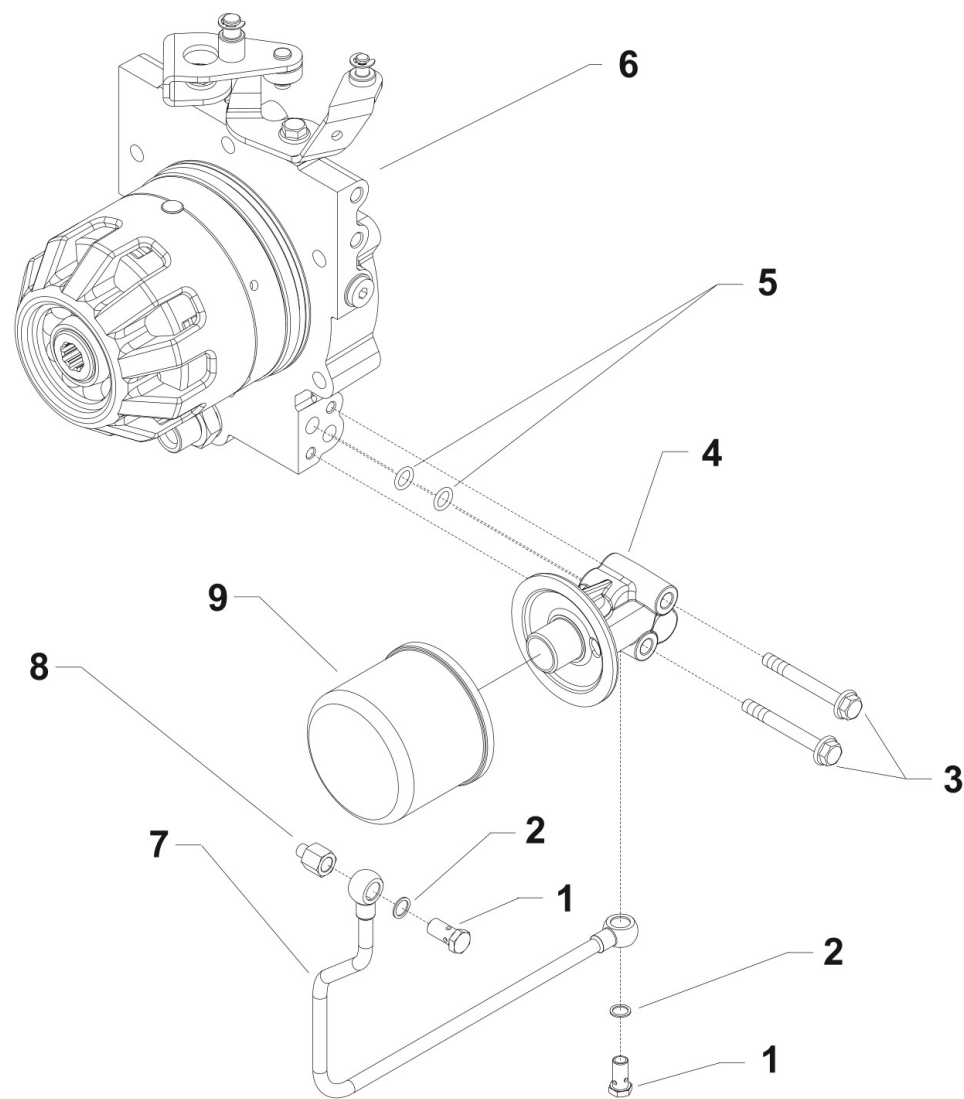


BCS Motor mowers, BCS 2-wheel tractors - 635 HY PS - HY ER PS

C.01.01.A0039_00 - CYLINDER AND POWERSAFE CLUTCH

Pos.	Id	Q.ty	Description	Note
1	38118859		O-RING OR 3375 (94,92X2,62)	
2	56356216		RING	
3	37161500		BEARING 51110 (50X70X14)	
4	56156247		PIN	
5	56556213		SPRING	nr.4
6	52456694		CLUTCH HOUSING	
7	37141253		BEARING 7305-BJP OBL 25x62x17	
8	53156210		SUMP	
9	38120501		RING PTFE PRP 01A02-0500-A-32	
10	53156218		PISTON	
11	38140851		RING PTFE PRP02A02-0850-A-32-N	





i = info - stop 2 sec. ★ = new part



BCS Motor mowers, BCS 2-wheel tractors - 635 HY PS - HY ER PS

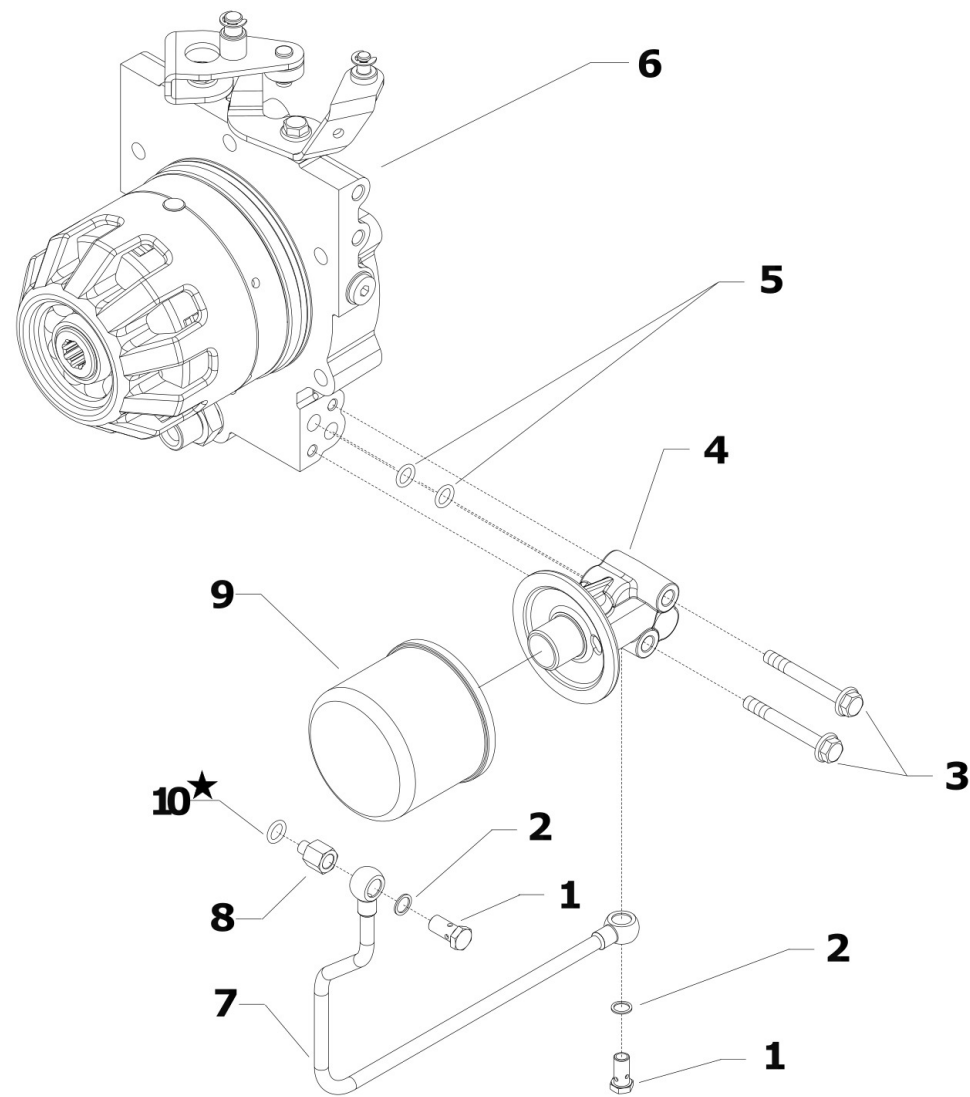
D.01.02.A0041_00 - POWERSAFE FILTER AND UNIT

Pos.	Id	Q.ty	Description	Note
1	F0843109020		PIPE FITTING	
2	31480184		COPPER WASHER 16,7x22/1,5	
3	31112099		SCREW TE C/F M6X50 DIN 6921 8G	
4	53156659		CONNECTION	
5	38110873		O-RING 108 (8,73X1,78)	
6	59256037		CLUTCH FOR POWERSAFE Q25.4 (3/8)	GX340
6	59256038		POWERSAFE CLUTCH	L100
7	590C0219Z		SUCTION PIPE	
8	581C0225		REDUCTION	
9	580C0268		FILTER	



BCS Motor mowers, BCS 2-wheel tractors - 635 HY PS - HY ER PS

D.01.02.A0041_00 - POWERSAFE FILTER AND UNIT



 [Click for info](#)

★ = new part

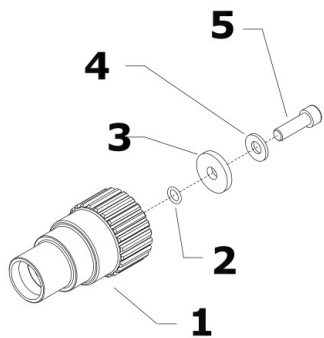


BCS Motor mowers, BCS 2-wheel tractors - 635 HY PS - HY ER PS

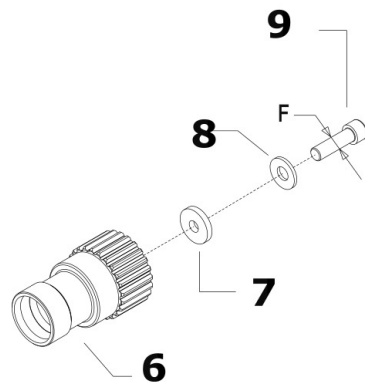
D.01.02.A0028_02 - POWERSAFE FILTER AND UNIT

Pos.	Id	Q.ty	Description	Note
1	F0843109020		PIPE FITTING	
2	31480184		COPPER WASHER 16,7x22/1,5	
3	31112099		SCREW TE C/F M6X50 DIN 6921 8G	
4	53156659		CONNECTION	
5	38110873		O-RING 108 (8,73X1,78)	
6	59256037		CLUTCH FOR POWERSAFE Q25.4 (3/8)	GX390A
6	59256038		POWERSAFE CLUTCH	L100
6	59256040		GRUPPO FRIZIONE PS Q25,4 VT	B&S VT 16 HP
7	590C0219Z		SUCTION PIPE	
8	581C0225		REDUCTION	
9	580C0268		FILTER	
10	38111078		O-RING 3043 (10,78X2,62)	

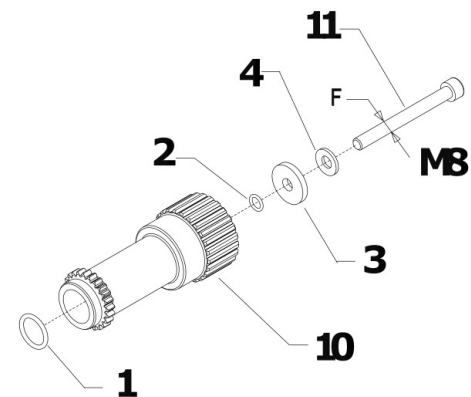




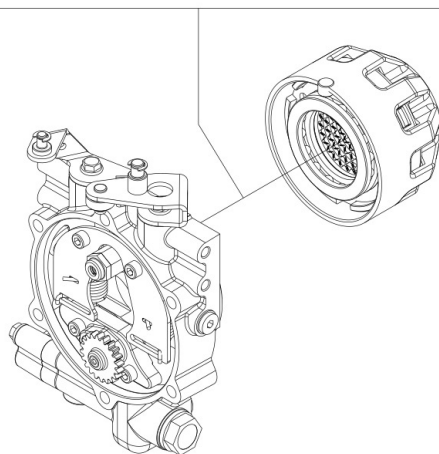
GP160-GX200



GX270-340 F=38'-24X1''-UNF



KD350-L100



i = info - stop 2 sec. ★ = new part



BCS Motor mowers, BCS 2-wheel tractors - 635 HY PS - HY ER PS

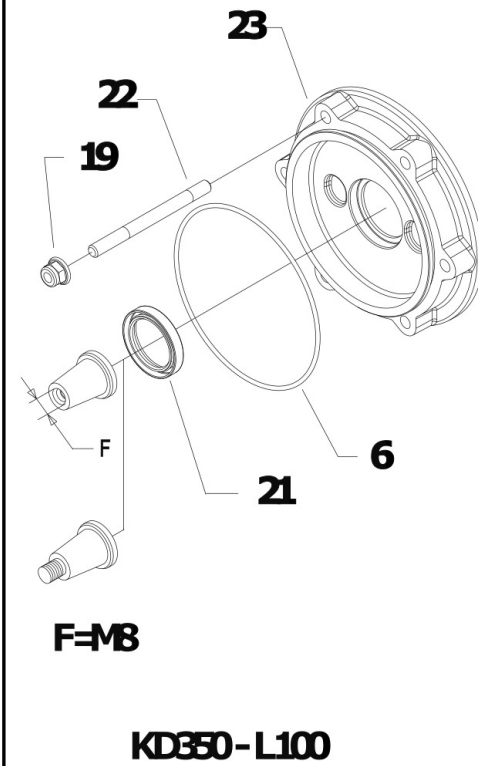
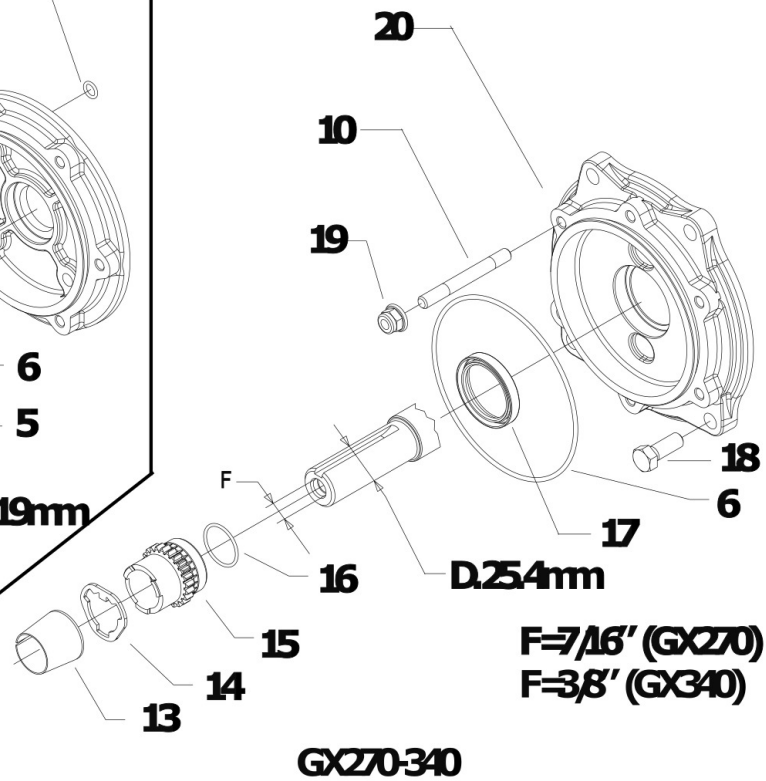
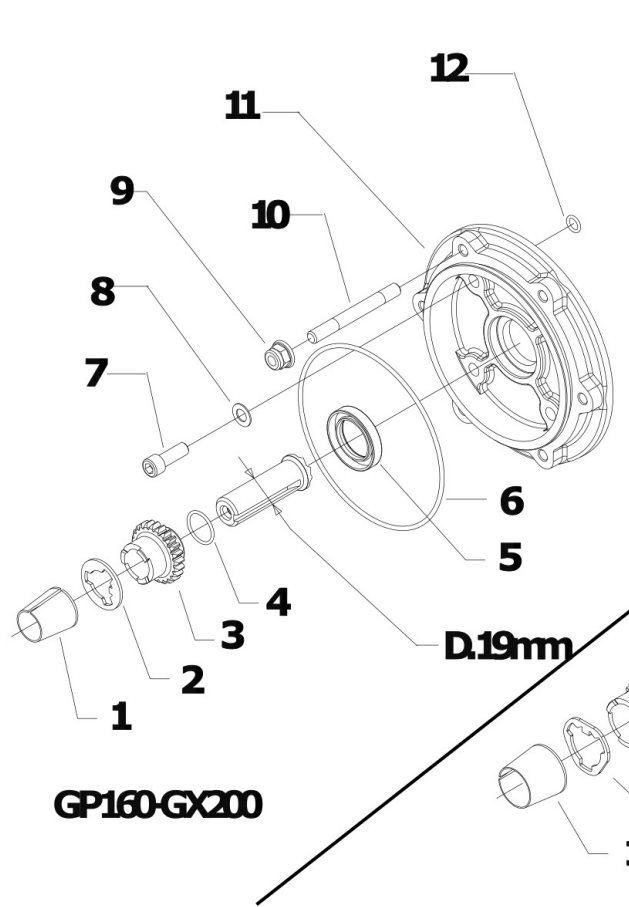
E.01.02.A0041_00 - POWERSAFE CLUTCH HUB

Pos.	Id	Q.ty	Description	Note
1	52456234		HUB Q19	
2	38110675		O-RING 106 (6,75X1,78)	
3	56156288Z		SPECIAL WASHER SP.4	
4	31421083		WASHER	
5	31100023		SCREW 5/16-24 X 1 UNF 8G	
6	52456233		HUB Q25	
7	56156743		WASHER 30X11.5X3	GX270
7	561C0421		WASHER	GX340
8	31421101		WASHER 10 DIN 679	GX340
8	31421130		WASHER	GX270
9	31100032		SCREW TCCEI 7/16-20 X 1-1/2	GX270
9	31100033		SCREW TCCEI 3/8-24 X 1-1/2	GX340
10	52456245		HUB	
11	31152090		SCREW TCEI M8x80 UNI5931	



BCS Motor mowers, BCS 2-wheel tractors - 635 HY PS - HY ER PS

E.01.02.A0041_00 - POWERSAFE CLUTCH HUB



 [Click for info](#)

★ = new part

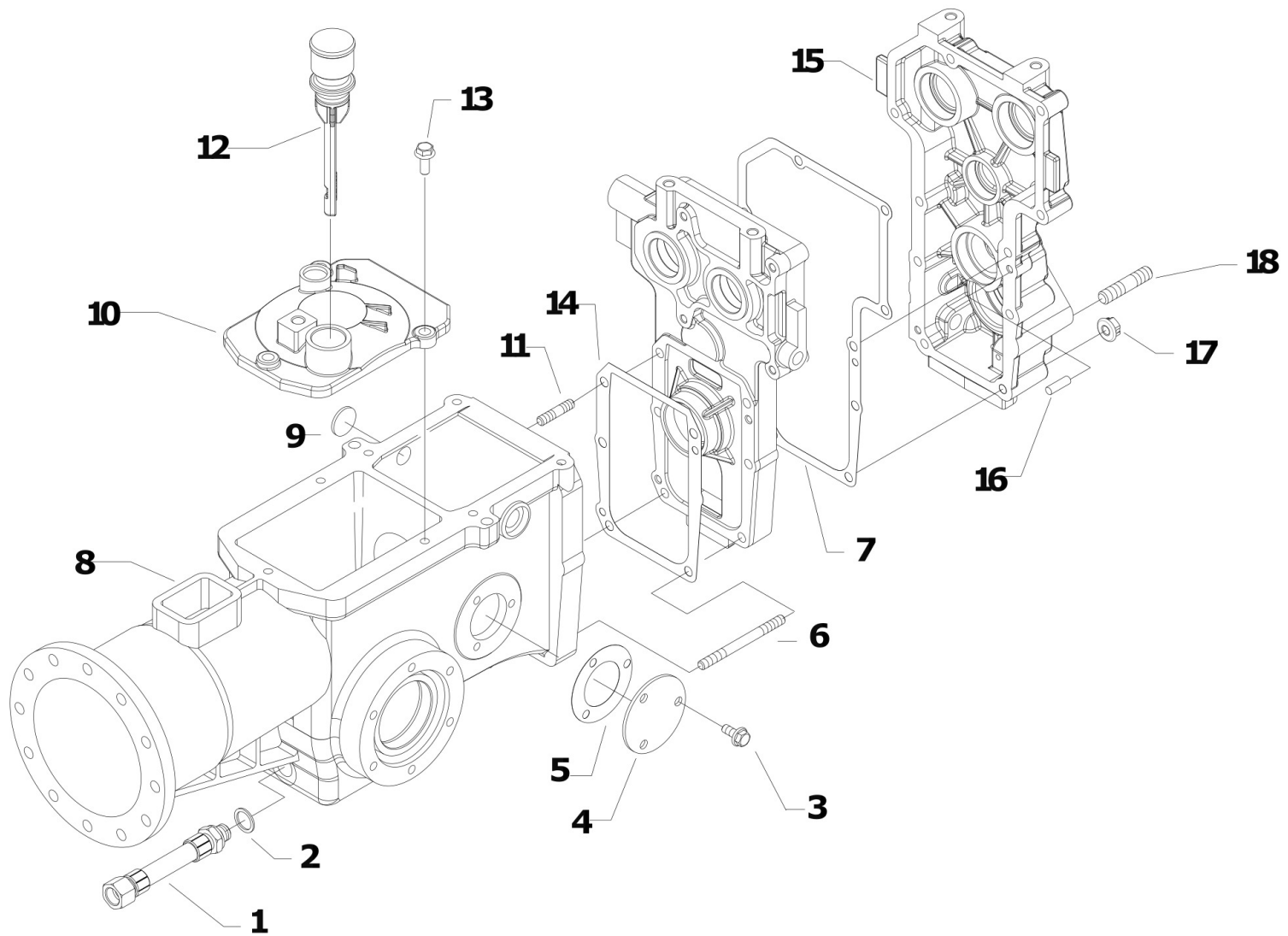


Pos.	Id	Q.ty	Description	Note
1	56156276		SLEEVE D.19	
2	56356240		TRANSMISSION	
3	52456237		PUMP GEAR	
4	F0803067000		O-RING 2075 (18,77X1,78)	
5	38212500		OIL SEAL 25X40X7	
6	38119823		O-RING 3450 (113,97x2,62)	
7	31104022		SCREW TCEI 5/16X7/8 UNF 12K	
8	31423084		SPRING WASHER 8,4	
9	31241083		SELFLOCK NUT M8	
10	31312073		STUD BOLT M8X73X14X20 8G	
11	53156206		ENGINE FLANGE Q19	
12	38110873		O-RING 108 (8,73X1,78)	
13	56156281		CENTRING BUSH D.25,4	
14	56356239		FEEDER Q25	
15	52456236		PUMP GEAR	
16	F0803075500		O-RING 2100 (25,12X1,78)	
17	38213500		OIL SEAL 35X47X7	
18	31100015		SCREW TE 3/8X1	
19	31241083		SELFLOCK NUT M8	
20	53156205		ENGINE FLANGE Q25	
21	38213202		OIL SEAL 32X45X7	
22	31312097		STUD BOLT M8X98X16X28 8G	
23	53156207		ENGINE FLANGE	



BCS Motor mowers, BCS 2-wheel tractors - 635 HY PS - HY ER PS

F.01.02.A0041_00 - ENGINE FLANGES



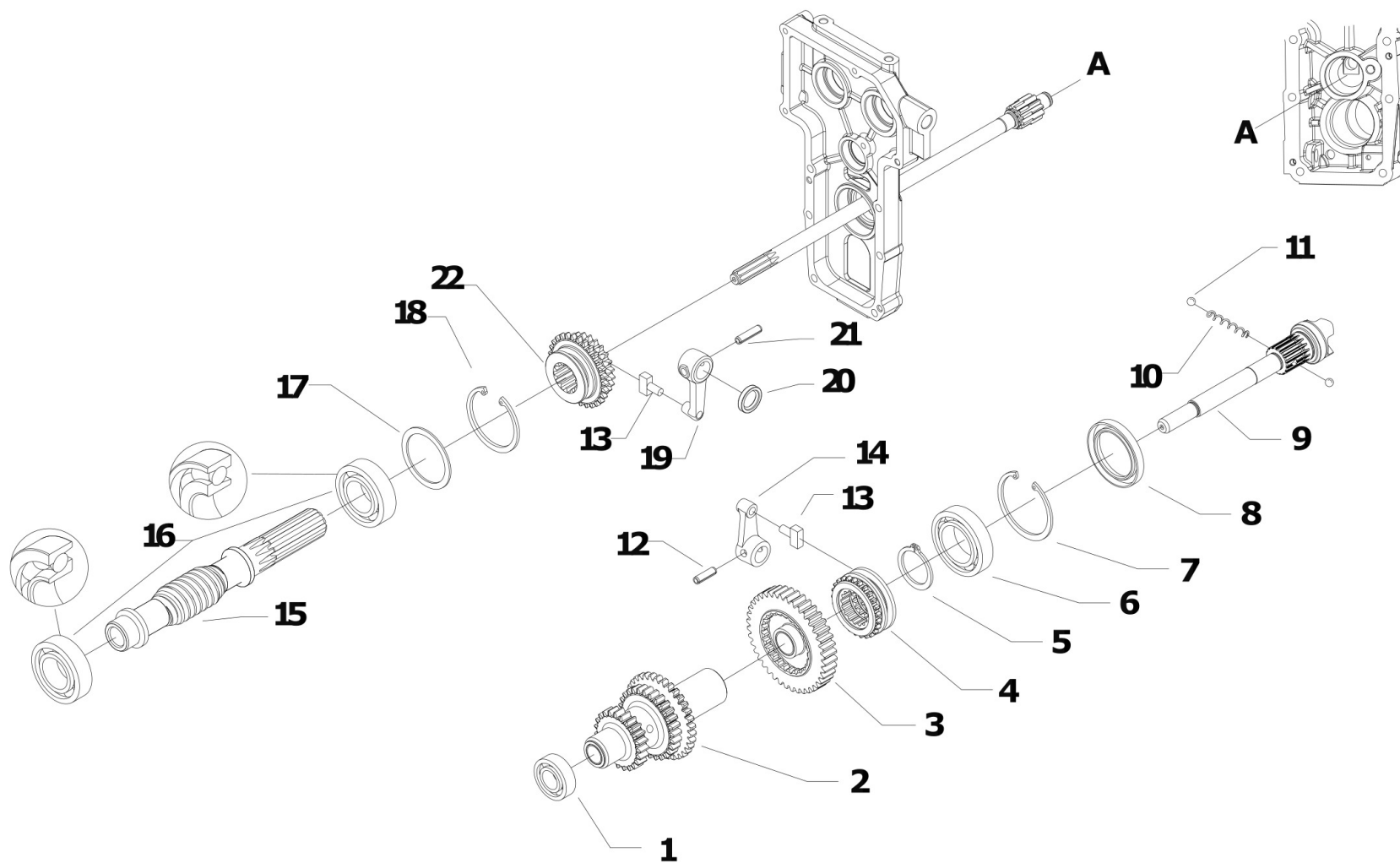
 [Click for info](#)

★ = new part



Pos.	Id	Q.ty	Description	Note
1	59056244		SUCTION PIPE	
2	31480184		COPPER WASHER 16,7x22/1,5	
3	31112079		VITE TE C/F M6X12 DIN 6921 RVS	
4	56147520Z		COVER	
5	58056447		GASKET	
6	31312097		STUD BOLT M8X98X16X28 8G	
7	580C0148		FLANGE GASKET	
8	53156202N		BOX CASING	
9	30040133Z		PLUG 22 DIN 470	
10	53143875N		GEARBOX HOUSING COVER	
11	31312090		STUD BOLT M8X88X16X28 8G	
12	59256762		OIL CAP M COMPLETE	
13	31112079		VITE TE C/F M6X12 DIN 6921 RVS	
14	58056671		GASKET	
15	532C1660N		REAR COVER	
16	58043053		CYLINDRICAL PLUG	
17	31241084		SELFLOCK NUT M8 6S	
18	31312125		STUD BOLT 64XM12X1,25X26XM12X30 8G	





 [Click for info](#)

★ = new part

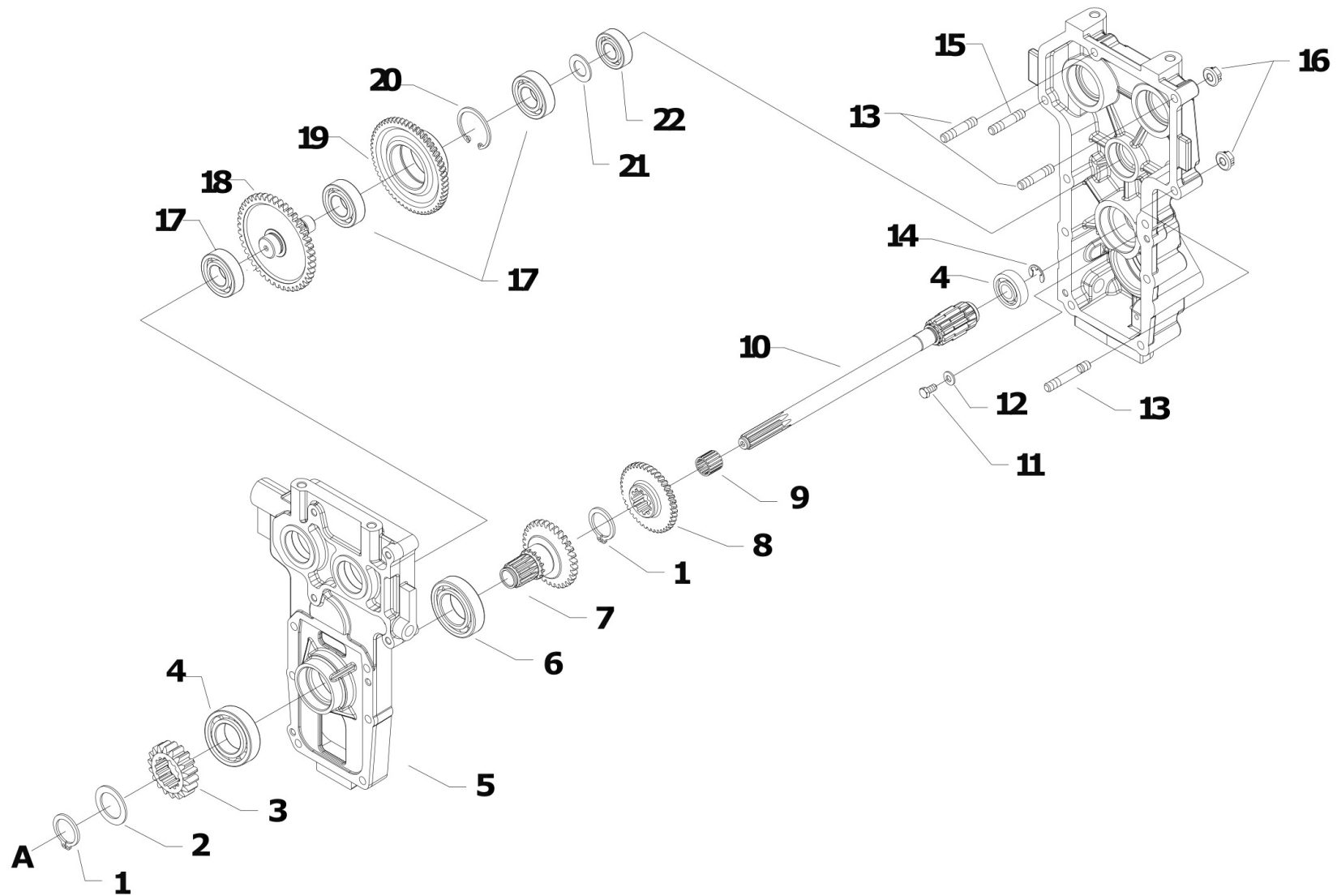


Pos.	Id	Q.ty	Description	Note
1	37111151		BEARING 6202 (15X35X11)	
2	590C1662		INGRANAGGIO TRIPLO MC HY C.TO	
3	590C0168		GEAR	
4	52456706		PTO COUPLING	
5	35121031		SEEGER RING E 30 UNI 7436	
6	37112229		BEARING 6006 (30X55X13) SKF	
7	35111055		SEEGER RING I 55 DIN 472	
8	38214207		OIL SEAL 42X55X7	
9	52456621		ALBERO PTO HY TR	
10	58056391		SPRING	
11	37910832		BALL 1/4	
12	34213061		ROLL PIN	
13	58043086		SHOE	
14	52456390		LEVER	
15	56456476		SCREW 2	
16	37141250		BEARING 7205-B OBL SKF	
17	56356328		ADJUSTING RING SP=1,5	
17	56356329		ADJUSTING RING SP=1,6	
17	56356330		ADJUSTING RING SP=1,7	
17	56356331		ADJUSTING RING SP=1,8	
18	35111053		SEEGER RING I 52 UNI 7438	
19	52456389		LEVER	
20	38211400		OIL SEAL 14X22X4	
21	34213060		ROLL PIN	
22	524C0227		SLIDING HYDRO	



BCS Motor mowers, BCS 2-wheel tractors - 635 HY PS - HY ER PS

H.01.02.A0045_00 - GEAR SHAFT CLUTCH



 [Click for info](#)

★ = new part



BCS Motor mowers, BCS 2-wheel tractors - 635 HY PS - HY ER PS

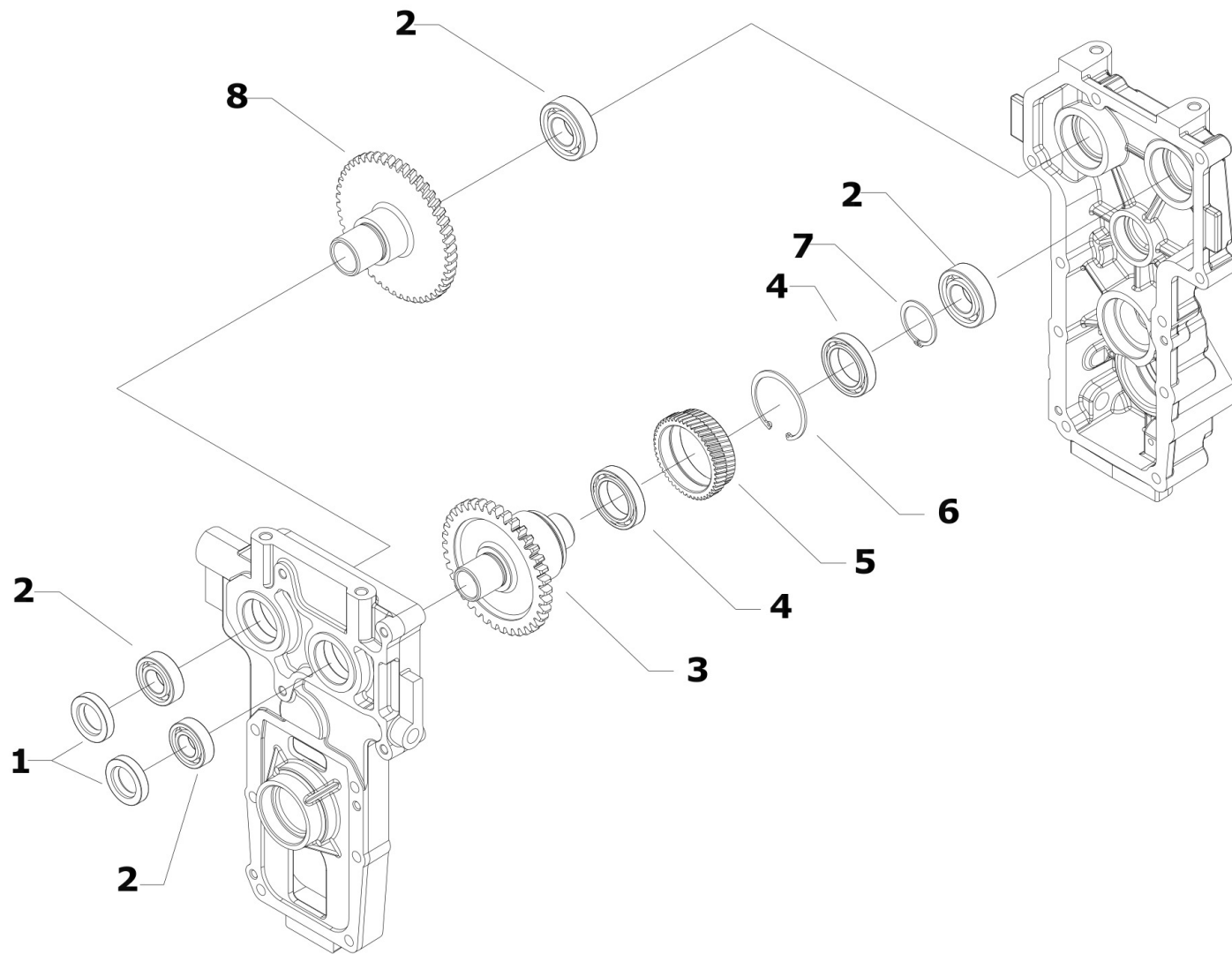
H.02.02.A0045_00 - REFERENCE GEAR / SHAFT CLUTCH

Pos.	Id	Q.ty	Description	Note
1	35121022		SEEGER RING E 20 UNI 7436	
2	563C0200		WASHER 20.3X30X1.5	
3	524C0162		LAY GEAR	
4	37111253		BEARING 6005 (25X47X12)	
5	532C0439		FLANGE	
6	37112229		BEARING 6006 (30X55X13) SKF	
7	524C0575		GEAR SHAFT	
8	524C0160		OUTPUT GEAR	
9	37320153		ROLLER CAGE K 15X18/16	
10	524C1674		ALBERO PRIMARIO IDRO	
11	31112210		SCREW TE M10X20 UNI 5739	
12	31421101		WASHER 10 DIN 679	
13	31312086		STUD BOLT M8X56X20X14	
14	35211150		SEEGER RING E 15 UNI 7434	
15	31312079		STDU N M8X40X14X20 8G	
16	31241084		SELFLOCK NUT M8 6S	
17	37111200		BEARING 6004 (20X42X12)	
18	524C0445		PUMP GEAR	
19	524C0158		IDLE ENGINE GEAR	
20	F0801310000		RING	
21	563C0218		WASHER	
22	37111151		BEARING 6202 (15X35X11)	



BCS Motor mowers, BCS 2-wheel tractors - 635 HY PS - HY ER PS

H.02.02.A0045_00 - REFERENCE GEAR / SHAFT CLUTCH



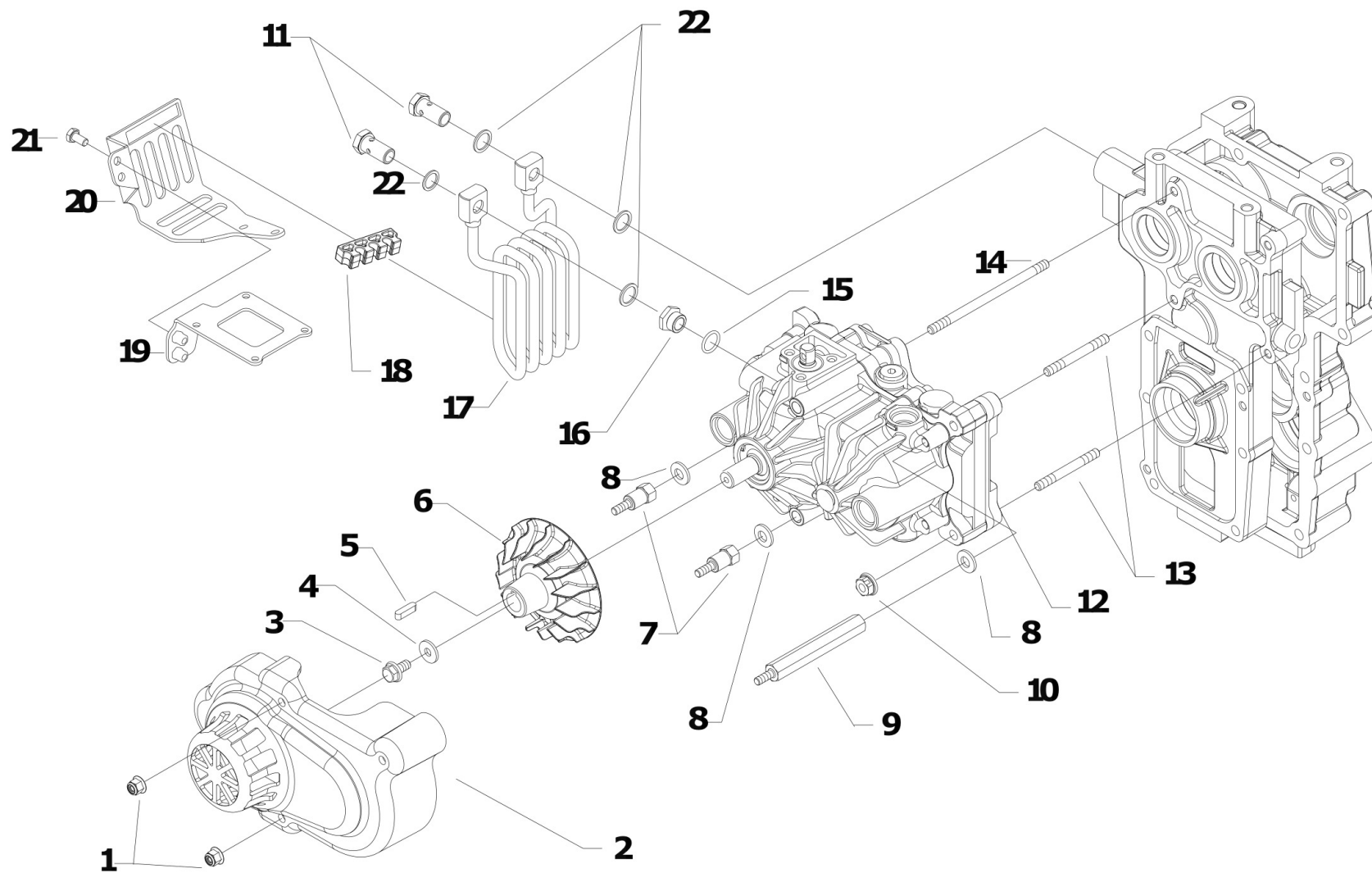
 [Click for info](#)

★ = new part



Pos.	Id	Q.ty	Description	Note
1	38212001		OIL SEAL 20X35X7	
2	37111200		BEARING 6004 (20X42X12)	
3	590C1661		INGRANAGGIO MOTORE MC HY C.TO	
4	37111362		BEARING 61908 (40x62x12)SKF	
5	524C0157		LAY GEAR	
6	35111062		SEEGER RING I 62 DIN 472	
7	F0801275000		SEEGER RING E 36 UNI 7435	
8	590C0293		PUMP GEAR	





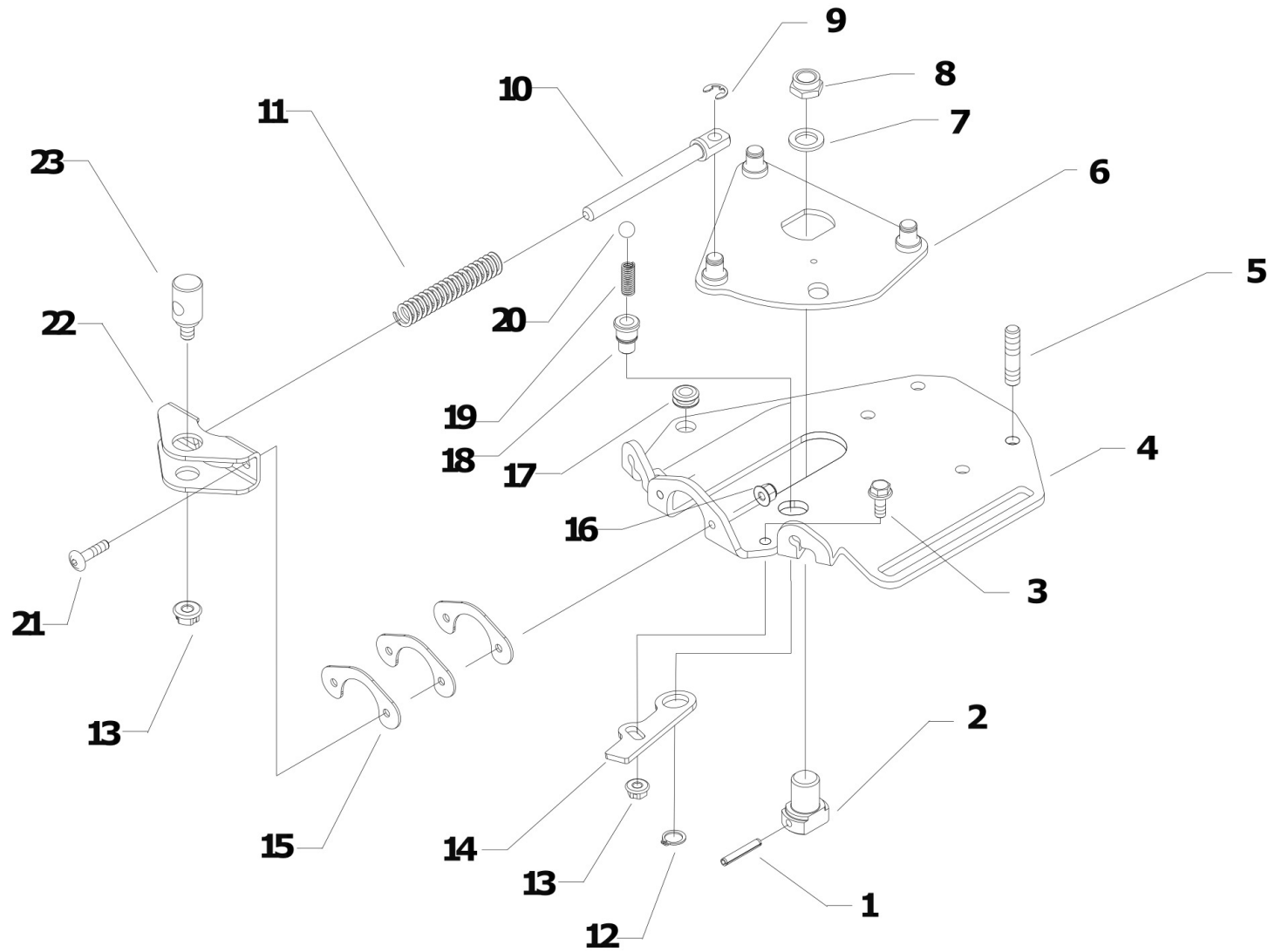
 [Click for info](#)

★ = new part



Pos.	Id	Q.ty	Description	Note
1	31241066		SELFLOCK M6 FL NY DIN 6926	
2	552C0154		SUMP	
3	31112083		SCREW M6X12	
4	31411066		WASHER 6,6x18	
5	34321050		KEY 5X5X20	
6	552C0153		PIPE	
7	563C0173Z		SMALL COLUMN	
8	31421083		WASHER	
9	563C0174Z		SMALL COLUMN	
10	31241084		SELFLOCK NUT M8 6S	
11	F0843109020		PIPE FITTING	
12	581C0290		GR. KANZAKI KHS-13JH	
13	580C0224Z		STUD BOLT	
14	580C0223Z		STUD BOLT	
15	38111872		O-RING 3075 (18,72x2,62)	
16	561C0196Z		REDUCTION	
17	590C0461Z		RADIATORE C.TO ZNT	
18	551C0456		DAMPER	
19	590C1671		ATTACCO SCUDO MC HY CON P.I.	
20	561C1670N		SCUDO RADIATORE MC HY	
21	31112210		SCREW TE M10X20 UNI 5739	
22	31480184		COPPER WASHER 16,7x22/1,5	





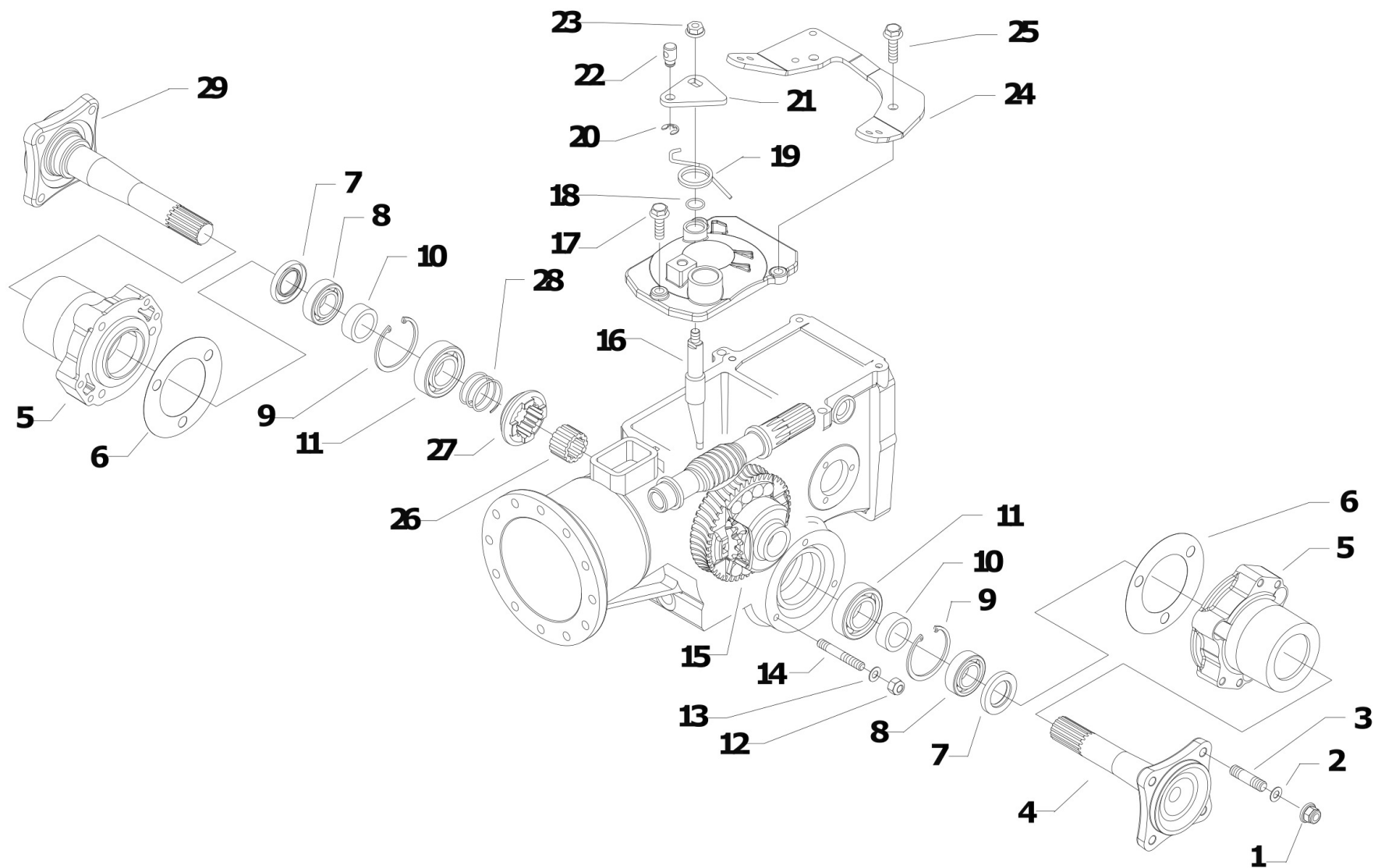
 [Click for info](#)

★ = new part



Pos.	Id	Q.ty	Description	Note
1	34213055		ROLL PIN	
2	563C0177Z		SLEEVE	
3	31112170		SCREW TE C/F M8X20 DIN 6921	
4	561C1701N		PIASTRA SUPP. AZION. MF HY	
5	31312103		STUD BOLT M10X46X24X16	
6	590C0474Z		FARFALLA C.TA ER ZNT	EASYRIDER
6	590C0481Z		THROTTLE	
7	31414190		WASHER 19	
8	31241182		SELFLOCK NUT M18X1,5	
9	35211050		SEEGER RING E 5 UNI 7434	
10	561C0440Z		GUIDE ROD	
11	58056918Z		SPRING	
12	35121018		SEEGER RING E 18 DIN 471	
13	31241084		SELFLOCK NUT M8 6S	
14	561C0135Z		LEVER	
15	561C1454Z		ADATTATORE ZNT	
16	31241066		SELFLOCK M6 FL NY DIN 6926	
17	581C1715		CABLE CLAMP 11-55-21-5	
18	563C0208Z		SLEEVE	
19	58056683		SPRING	
20	37911532		BALL 15/32	
21	31121005		SCREW TBCEI FLANG. M6X25	
22	561C0443Z		CONTRASTO MOLLA ZNT	
23	561C0444Z		GUIDE PIN	





 [Click for info](#)

★ = new part

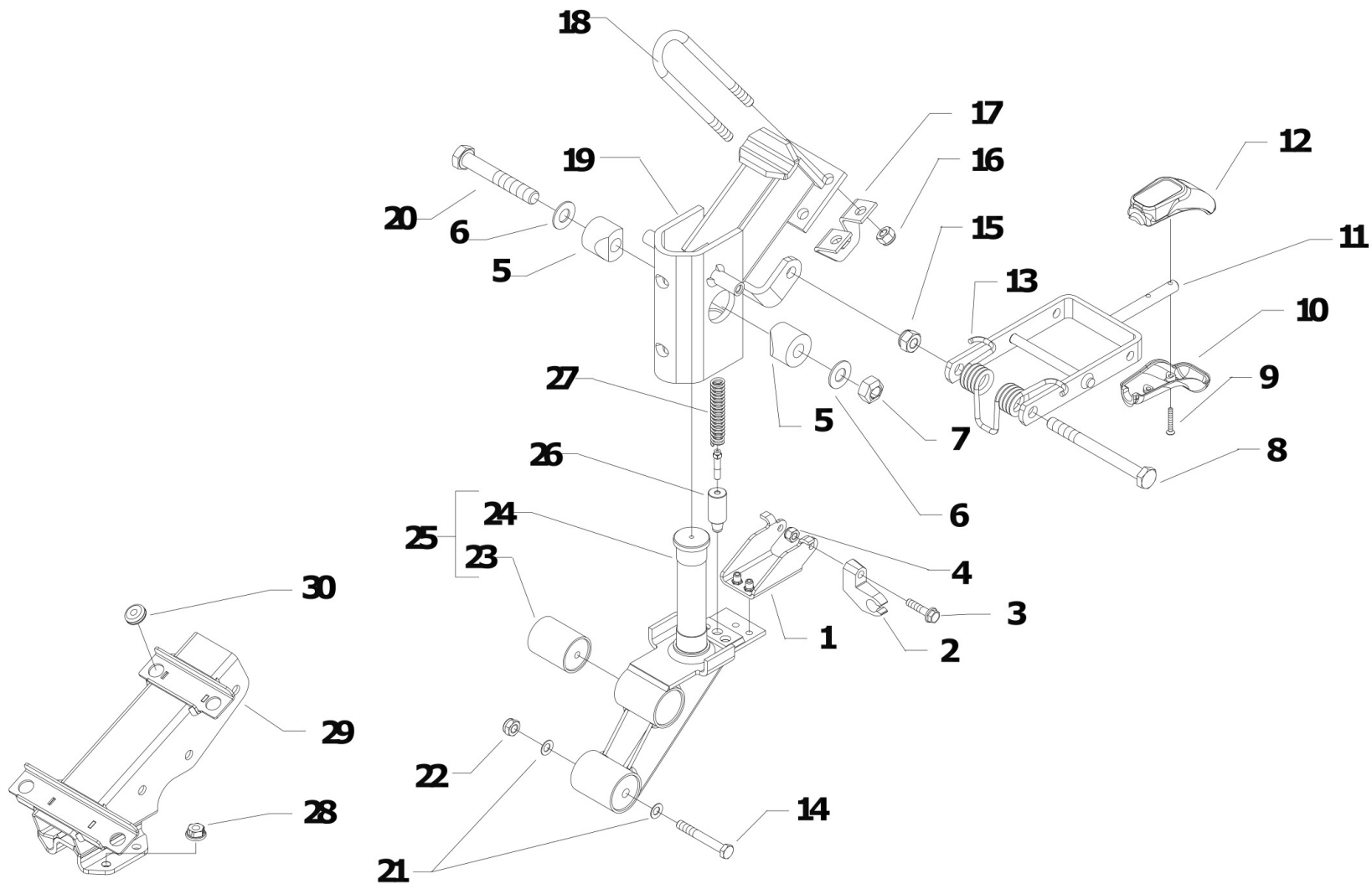


BCS Motor mowers, BCS 2-wheel tractors - 635 HY PS - HY ER PS

I.01.02.A0045_00 - WHEEL AXLE

Pos.	Id	Q.ty	Description	Note
1	31241103		SELFLOCK NUT M10	
2	31423105		SPRING WASHER 10,5	
3	31312102		STUD BOLT M10X40X24X12	
4	52448187N		AXLE SHAFT	
5	53243851N		HUB	
6	58043855		GASKET	
7	38213002		OIL SEAL 30X40X7	
8	37111253		BEARING 6005 (25X47X12)	
9	35111047		SEEGER RING I 47 DIN 472	
10	56148184		RING	
11	37111250		BEARING	
12	31241080		HEXAGON SELFLOCK NUT M8	
13	31423084		SPRING WASHER 8,4	
14	31312080		STUD BOLT M8X46X20X12	
15	59048199		DIFFERENTIAL GEAR	
16	56443871		ROD	
17	31112166		SCREW TE C/F M8X25 DIN 6921 8G	
18	38111400		O-RING (14,00X1,78)	
19	58043881N		SPRING	
20	35211060		SEEGER RING E 6 UNI 7434	
21	56156219Z		LEVER	
22	56156828Z		STOP	
23	31241084		SELFLOCK NUT M8 6S	
24	56156827N		STOP	
25	31112167		SCREW TE C/F M8X30 DIN 6921 8G	
26	56448183		SPACER	
27	56448196		COUPLING	
28	58043874		SPRING	
29	52448188N		AXLE SHAFT	





 [Click for info](#)

★ = new part



Pos.	Id	Q.ty	Description	Note
1	59256880		CONNECTION	
2	55243340		SUPPORT	
3	31112165		SCREW TE C/F M8X35 DIN 6921 8G	
4	31241080		HEXAGON SELFLOCK NUT M8	
5	52156917		WEDGE	
6	31421100Z		CUP SPRING 25X12,2X1,5 D2093	
7	31241126		SELFLOCK NUT M12	
8	31111229		SCREW TE M10X110 UNI 5737 8G	
9	31100451		SCREW 3,5X25	
10	55157213		GRIP	
11	59057010N		LEVER	
12	55157212		GRIP	
13	58056942Z		HANDLEBAR UNLOCKING SPRING	
14	31112295		SCREW TE M12X90 UNI 5737	
15	31241100		SELFLOCK HEXAGON NUT M10	
16	31241080		HEXAGON SELFLOCK NUT M8	
17	56156948N		STOP	
18	56156940		U BOLT	
19	59056875N		COLUMN	
20	31112293		SCREW TE M12X80 UNI 5737	
21	31423130		SPRING WASHER EL 13 DIN 137-B	
22	31241121		SELFLOCK NUT M12	
23	30010120		SILENT-BLOCK 12X40X58X66	
24	590C0538N		PIANTONE INF. MF IDRO C.TO	
25	592C0537		PIANTONE INF. IDRO C/SILENT.	
26	56356924		FERRULE	
27	58056918		SPRING	
28	31241084		SELFLOCK NUT M8 6S	
29	590C0528N		SUPPORTO PIANTONE MF C.TO VT	

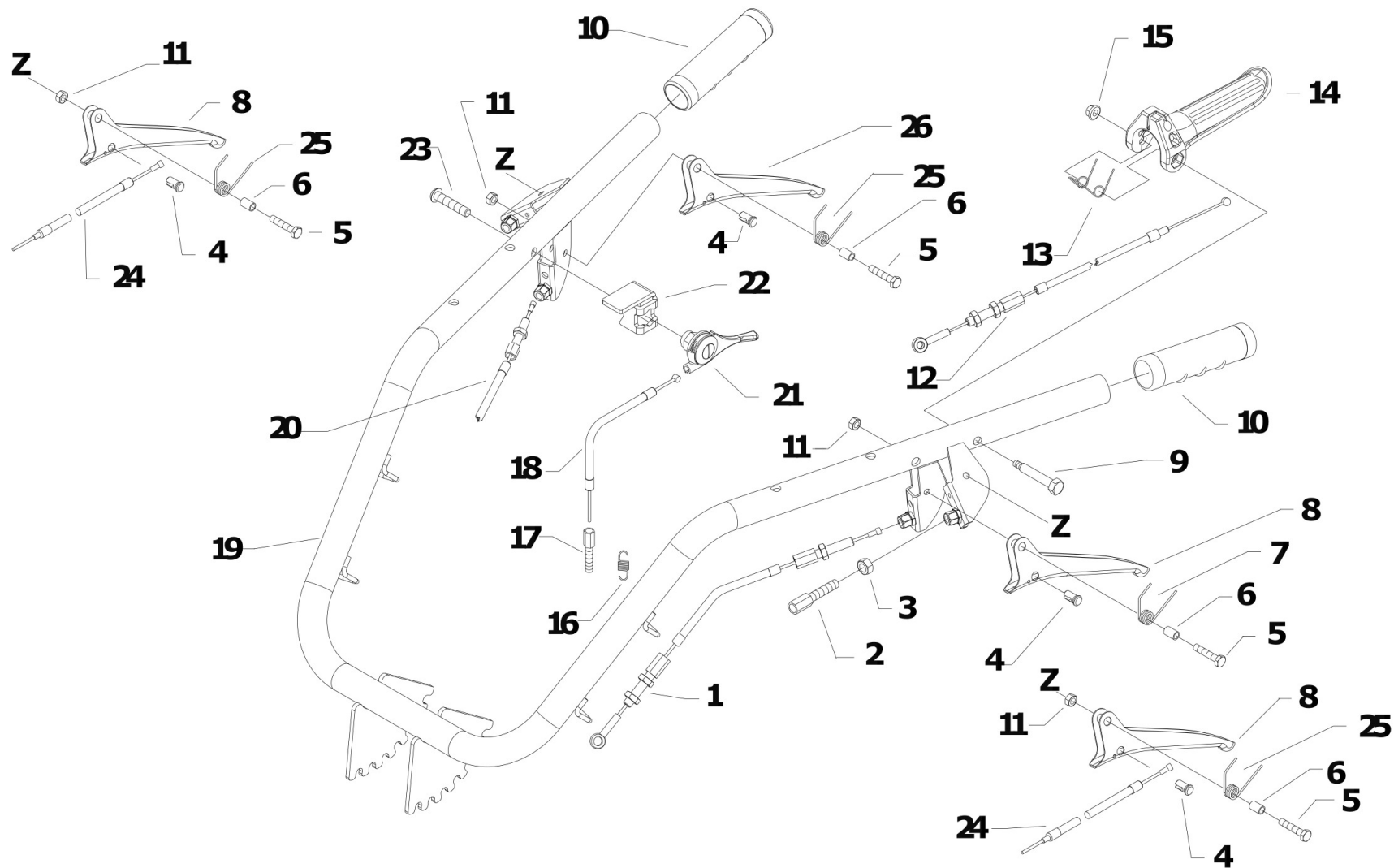


Pos.	Id	Q.ty	Description	Note
30	58056991		CABLE GLAND 90/200/30	



BCS Motor mowers, BCS 2-wheel tractors - 635 HY PS - HY ER PS

J.01.02.A0045_00 - STEERING COLUMN



 [Click for info](#)

★ = new part

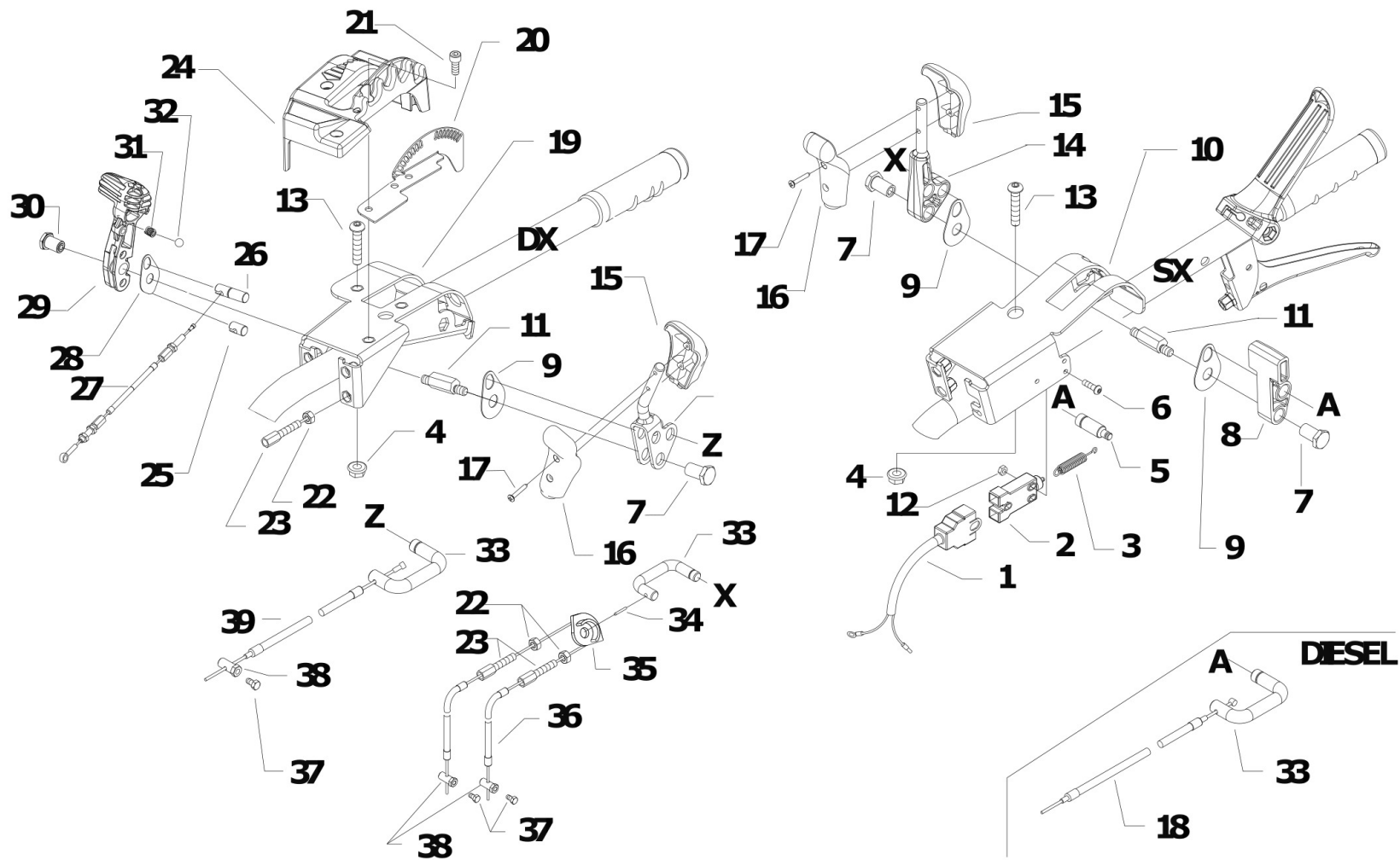


Pos.	Id	Q.ty	Description	Note
1	58056523		LINE L=1490	
2	58056595		ADJUSTING SCREW M8	
3	31211080		NUT M8	
4	58150313		CABLE CLAMP	
5	31112089		SCREW TE M6X25 UNI 5739 8G	
6	56156603Z		SPACER	
7	58050345		SPRING	
8	56148470N		LEVER	
9	56356184Z		LEVER PIN	
10	58048000		KNOB D=27	
11	31241060		HEXAGON SELFLOCK NUT M6	
12	58056524		LINE L=1560	
13	58056186Z		SPRING	
14	55256185		LEVER	
15	31241065		SELFLOCK NUT M6	
16	58056155		RESTORING SPRING	GX340
17	58147704		ADJUSTING SCREW	
18	58056812		LINE AND SHEATH L=1680	GX340
18	58057342		LINE AND SHEATH (L=1470)	L100 - KD350
19	59256537		HANDLE BAR	
19	592C1735		MAN. MF 635 HY ER CON PI.	EASYRIDER
20	58057211		TRANSMISSION	
21	58002538		ACCELERATOR	
22	56156874N		PANEL	
23	31121020		SCREW TBCEI M8X40 ISO7380 10K Z	
24	58056893		FILO E GUAINA FRENI L=1200	
25	58056593		SPRING	
26	56156604N		CLUTCH LEVER	



BCS Motor mowers, BCS 2-wheel tractors - 635 HY PS - HY ER PS

K.01.02.A0045_00 - HANDLEBAR



 [Click for info](#)

★ = new part



Pos.	Id	Q.ty	Description	Note
1	58056837		WIRING	
2	58048009		ENGINE STOP SWITCH	
3	58047712		SPRING	
4	31241084		SELFLOCK NUT M8 6S	
5	56156834Z		INDEXING BOLT	
6	31121024		SCREW TBCEI FL.M4X25	
7	56148287		STUD BOLT	
8	55256197		MOTOR STOP LEVER	
9	56356833Z		SMALL PLATE	
10	59256180		SUPPORT	
11	56356858Z		PIN	
12	31241042		SELFLOCK NUT M4 FL.6S	
13	31121020		SCREW TBCEI M8X40 ISO7380 10K Z	
14	53156860		COMMAND LEVER	
15	55157212		GRIP	
16	55157213		GRIP	
17	31100451		SCREW 3,5X25	
18	58048005		LINE AND SHEATH (L=1170)	
19	59256808		SUPPORT	EASYRIDER
19	592C0477		SUPPORT	
20	521C1453Z		SETTORE PER SFERA ZNT	
21	31152081		SCREW TCEI M8X20 UNI 5931	
22	31211080		NUT M8	
23	58056595		ADJUSTING SCREW M8	
24	552C0480		MANIPOLATORE EASYGRIP	
25	561C0216Z		CABLE CLAMP D.12	
26	561C1687Z		BARILOTTO D.12	
27	580C0368		LINE AND SHEATH	
28	563C0215Z		SMALL PLATE	



BCS Motor mowers, BCS 2-wheel tractors - 635 HY PS - HY ER PS

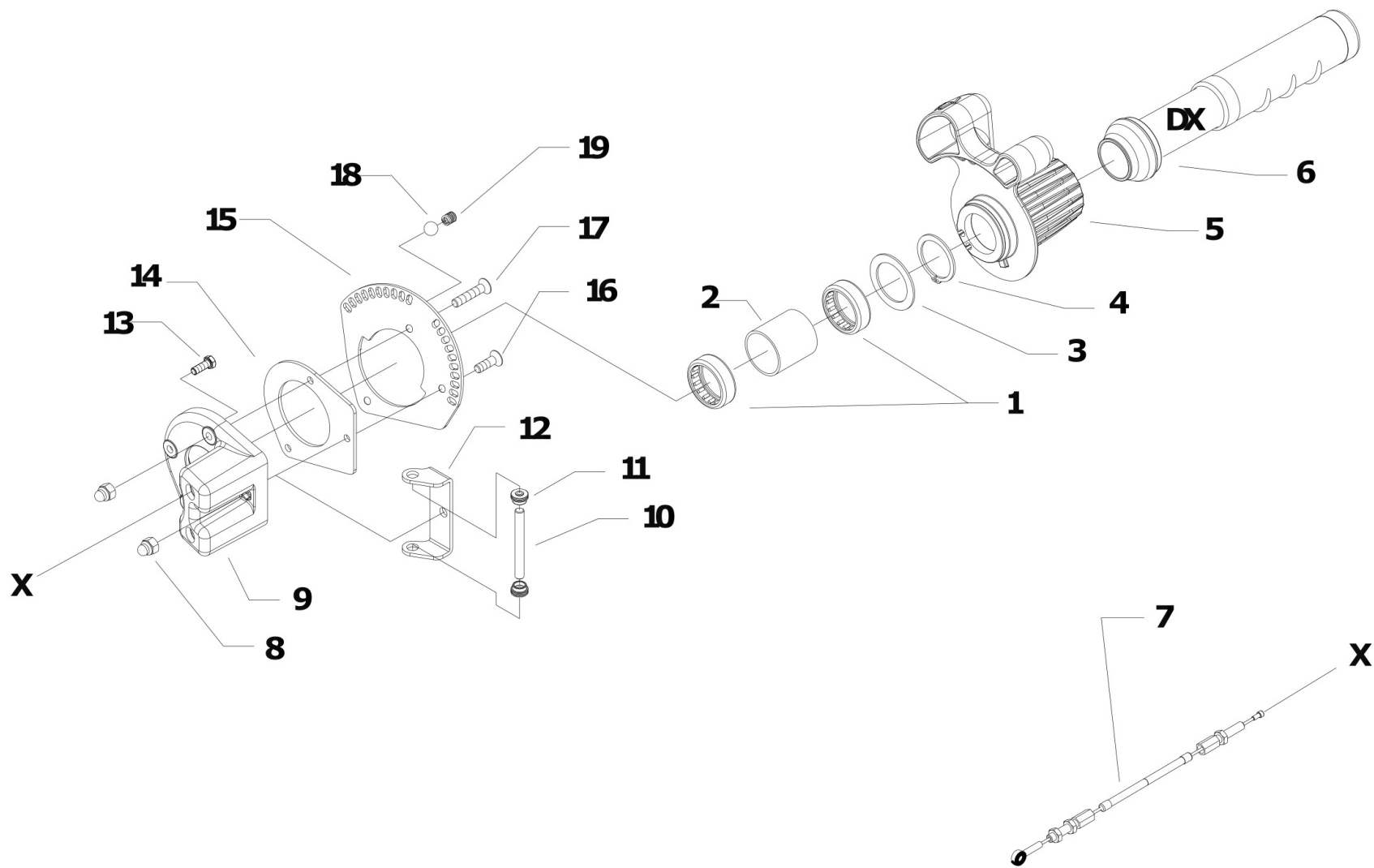
L.01.02.A0045_00 - HANDLEBAR CONTROLS EASYGRIP

Pos.	Id	Q.ty	Description	Note
29	552C0484		COMMAND LEVER	
30	561C0476Z		STUD BOLT	
31	58042059		SPRING	
32	37911032		BALL 5/16	
33	56156832Z		U BOLT	
34	34213020		ROLL PIN	
35	55256757		PULLEY	
36	58056849		LINE AND SHEATH L=1080	
37	31112090		SCREW TE M6X16 UNI 5739 8G	
38	56356840Z		CLAMPING SCREW	
39	58056895		FILO E GUAINA DIFF. L=1050	



BCS Motor mowers, BCS 2-wheel tractors - 635 HY PS - HY ER PS

L.01.02.A0045_00 - HANDLEBAR CONTROLS EASYGRIP



 [Click for info](#)

★ = new part



BCS Motor mowers, BCS 2-wheel tractors - 635 HY PS - HY ER PS

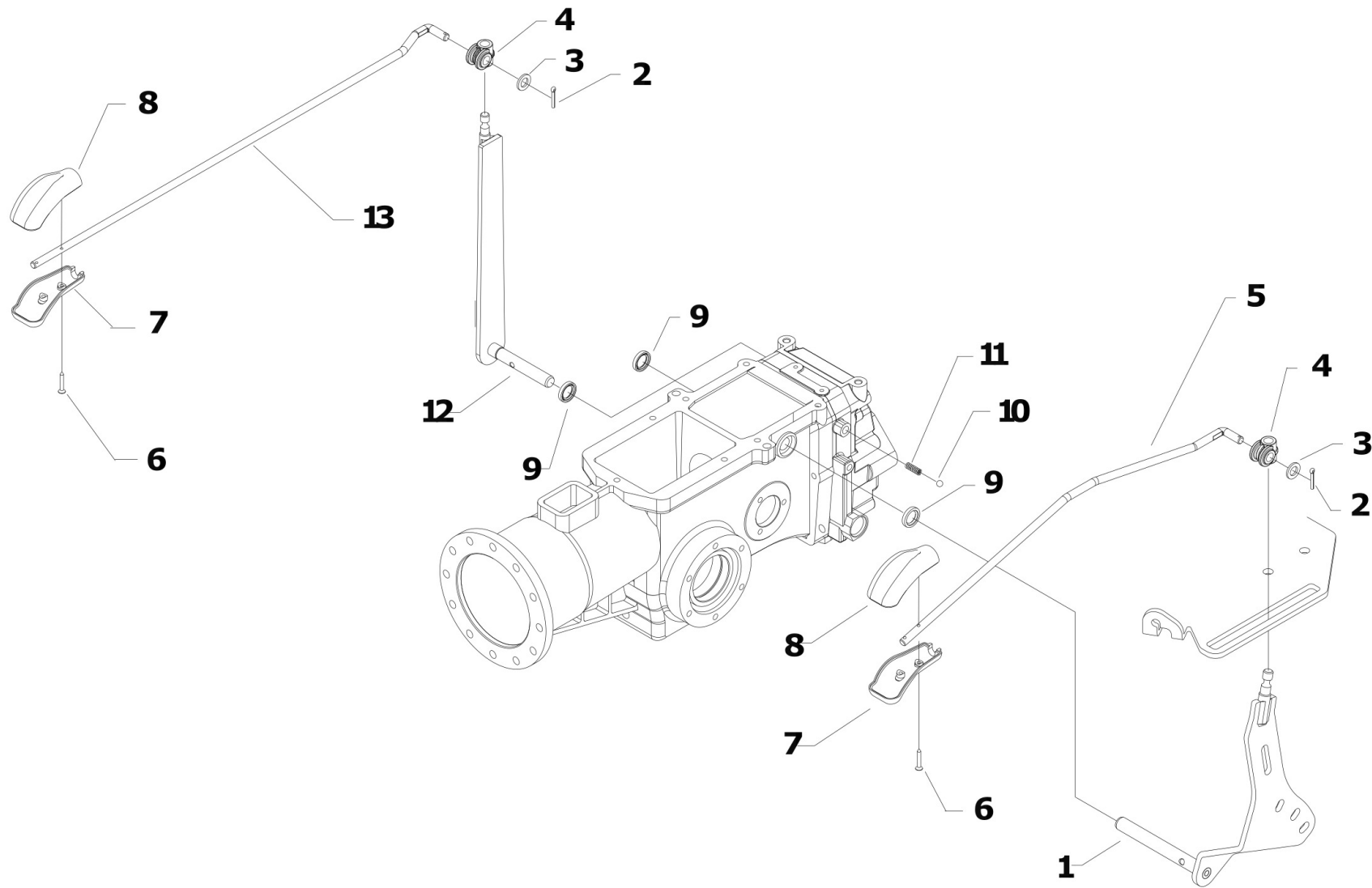
L.02.02.A0045_00 - HANDLEBAR CONTROLS EASYRIDER

Pos.	Id	Q.ty	Description	Note
1	37331303		BUSHING HK3012B AS1 30X37X12	
2	561C1465Z		SPACER	
3	31400192		SHIM PS 30x42/1,5	
4	35121030		SEEGER RING E 30 DIN 471	
5	552C1468		MANIPOLATORE EASY RIDER	
6	552C1469		SLEEVE	
7	580C1471		TRANSMISSION	
8	31241053		SELFLOK M5 UNI 986 C/CALOT	
9	55257175		BODY	
10	56457191Z		PIN	
11	55257197		CHAIN PULLEY	
12	56157178Z		SUPPORT	
13	31112051		SCREW TE M5X14 UNI 5739 8G	
14	561C1470Z		COVER	
15	563C1452Z		SETTORE ER ZNT	
16	31132516		SCREW TSVEI M5X16 UNI 5933	
17	31132525		SCREW TSVEI M5X25 UNI 5933	
18	37911032		BALL 5/16	
19	58042059		SPRING	



BCS Motor mowers, BCS 2-wheel tractors - 635 HY PS - HY ER PS

L.02.02.A0045_00 - HANDLEBAR CONTROLS EASYRIDER



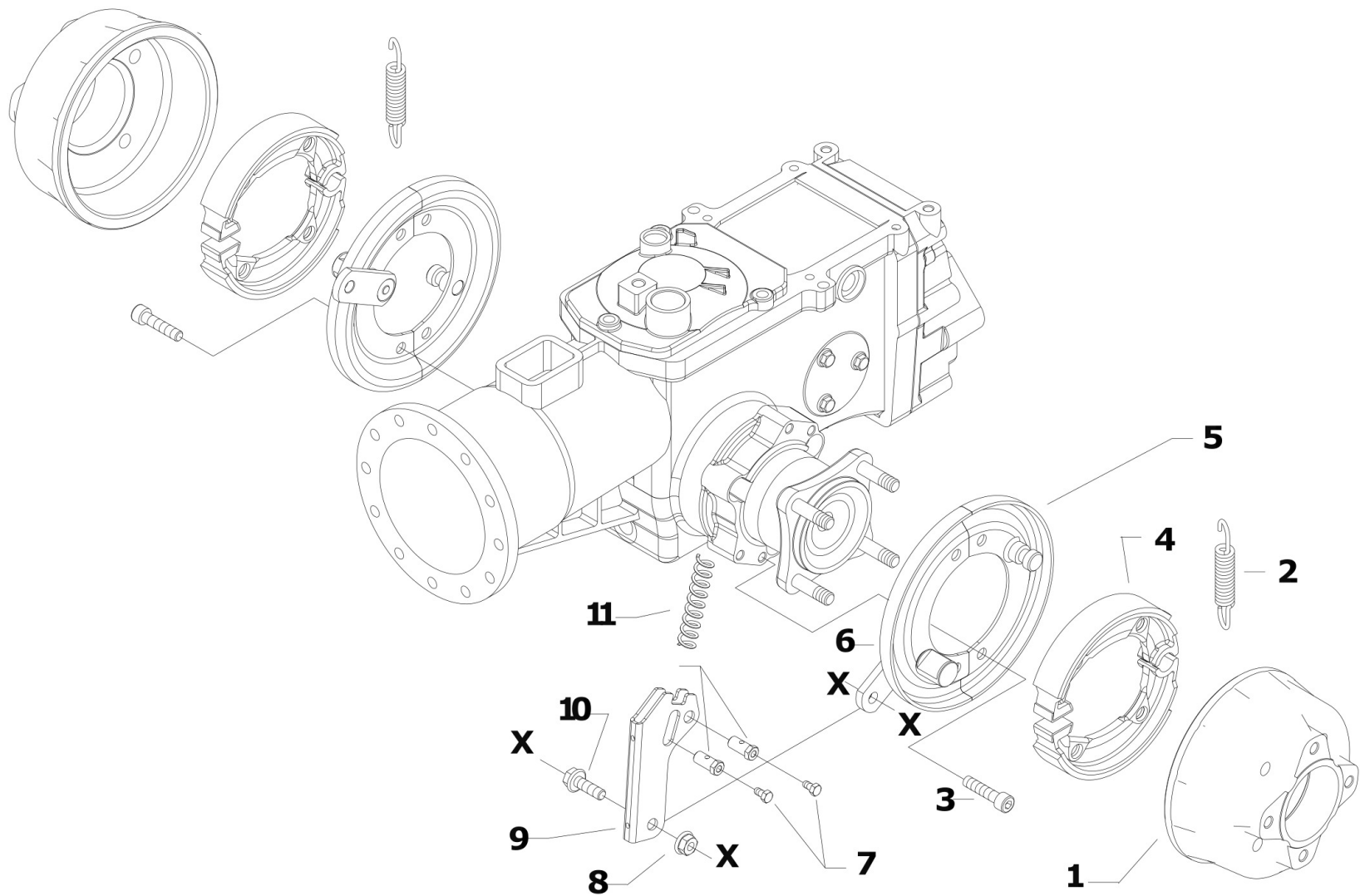
 [Click for info](#)

★ = new part



Pos.	Id	Q.ty	Description	Note
1	590C1683N		LEVA CAMBIO MC HY C.TA	
2	34110028		SPLIT PIN A3X15 UNI 1336	
3	31411104		WASHER 10,5x18	
4	55242528		JOINT	
5	561C0132		PULL ROD	
6	31100451		SCREW 3,5X25	
7	55157213		GRIP	
8	55157212		GRIP	
9	38211400		OIL SEAL 14X22X4	
10	37911532		BALL 15/32	
11	58043176		SPRING	
12	590C0270N		PTO LEVER	
13	56157367Z		ROD	





 [Click for info](#)

★ = new part



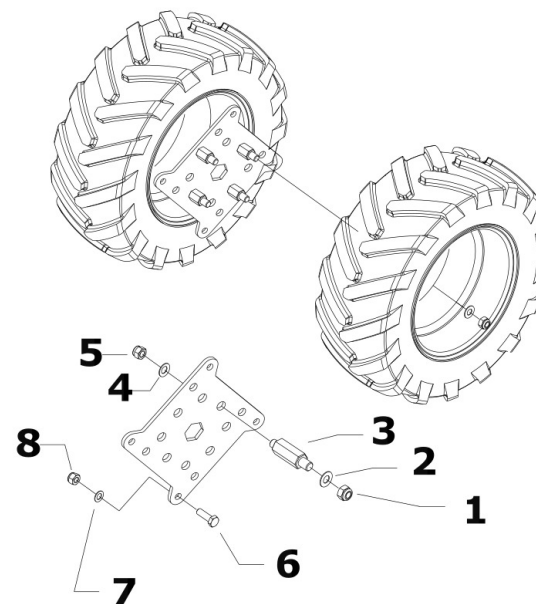
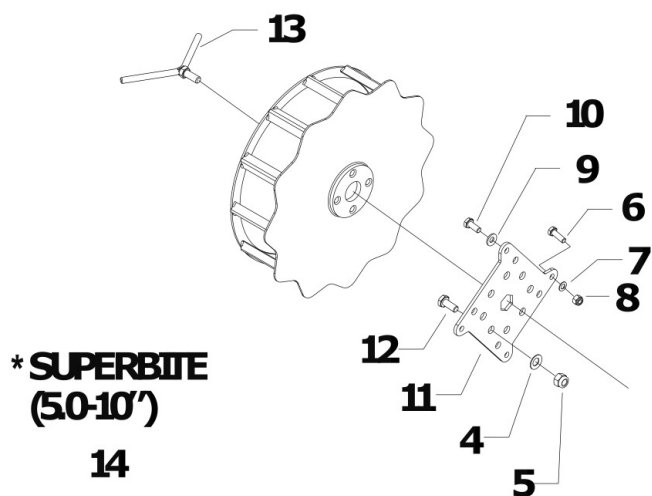
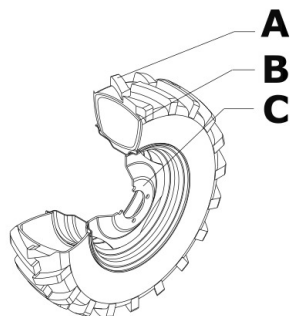
BCS Motor mowers, BCS 2-wheel tractors - 635 HY PS - HY ER PS

N.01.02.A0045_00 - BRAKES

Pos.	Id	Q.ty	Description	Note
1	513C1665		BRAKE DRUM	
2	58048215		SPRING	
3	31152085		SCREW TCEI M8X25 UNI 5931	
4	58048214		BRAKE BLOCK	
5	59048208N		HALF DISC	
6	59048200N		HALF DISC	
7	31112090		SCREW TE M6X16 UNI 5739 8G	
8	31241084		SELFLOCK NUT M8 6S	
9	56156831Z		FORK	
10	31112166		SCREW TE C/F M8X25 DIN 6921 8G	
11	58056918		SPRING	



		A	B	C
*	5.0-10'	39115010	39415010	58048330
	21x11.0-8'	39113501	TUBELESS	58057795



KIT GEMELLAGGIO PER 5.0-10'
TWINNING KIT FOR 5.0-10'
JUMELAGE KIT POUR 5.0-10'
KT GEMELOS POR 5.0-10'
ZWILLINGS KIT 5.0-10'

 [Click for info](#)

★ = new part

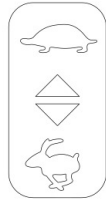


Pos.	Id	Q.ty	Description	Note
1	31241100		SELFLOCK HEXAGON NUT M10	
2	31423105		SPRING WASHER 10,5	
3	56359554		PIN	
4	31423130		SPRING WASHER EL 13 DIN 137-B	
5	31241120		SELFLOCK NUT M12	
6	31112151		SCREW TE M8X25 UNI 5739 8G	
7	31423084		SPRING WASHER 8,4	
8	31241120		SELFLOCK NUT M12	
9	31421101		WASHER 10 DIN 679	
10	31112219		SCREW TE M10X25 UNI 5739	
11	59059551		FLANGE	
12	56359553		PIN	
13	59059561		SCREW	
14	59259555		SUPER-BITE WHEEL X 5.00-10	

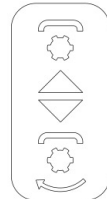




1



2



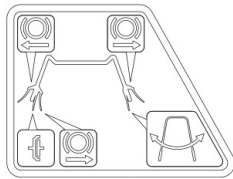
3



4



5



6



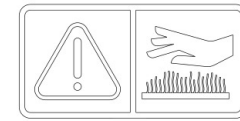
7



8



9



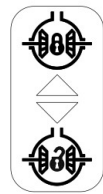
10



11



12



13



14



15



[Click for info](#)

★ = new part



BCS Motor mowers, BCS 2-wheel tractors - 635 HY PS - HY ER PS

R.01.02.A0045_00 - STICKERS

Pos.	Id	Q.ty	Description	Note
1	58056866		DECAL	
2	58057773		DECAL	
3	58057774		DECAL	
4	53093088		OVAL LOGO	
5	58057724		DECAL	
6	580C0142		DECAL	
7	58057746		DECAL	
8	58057747		DECAL	
9	530C0056		DECAL MADE IN ITALY	
10	58057768		DECAL	
11	58056869		DECAL	
12	58093089		DECAL	
13	58057625		DECAL	
14	58058488		ADESIVA 635 HY	
15	58057767		DECAL	

