



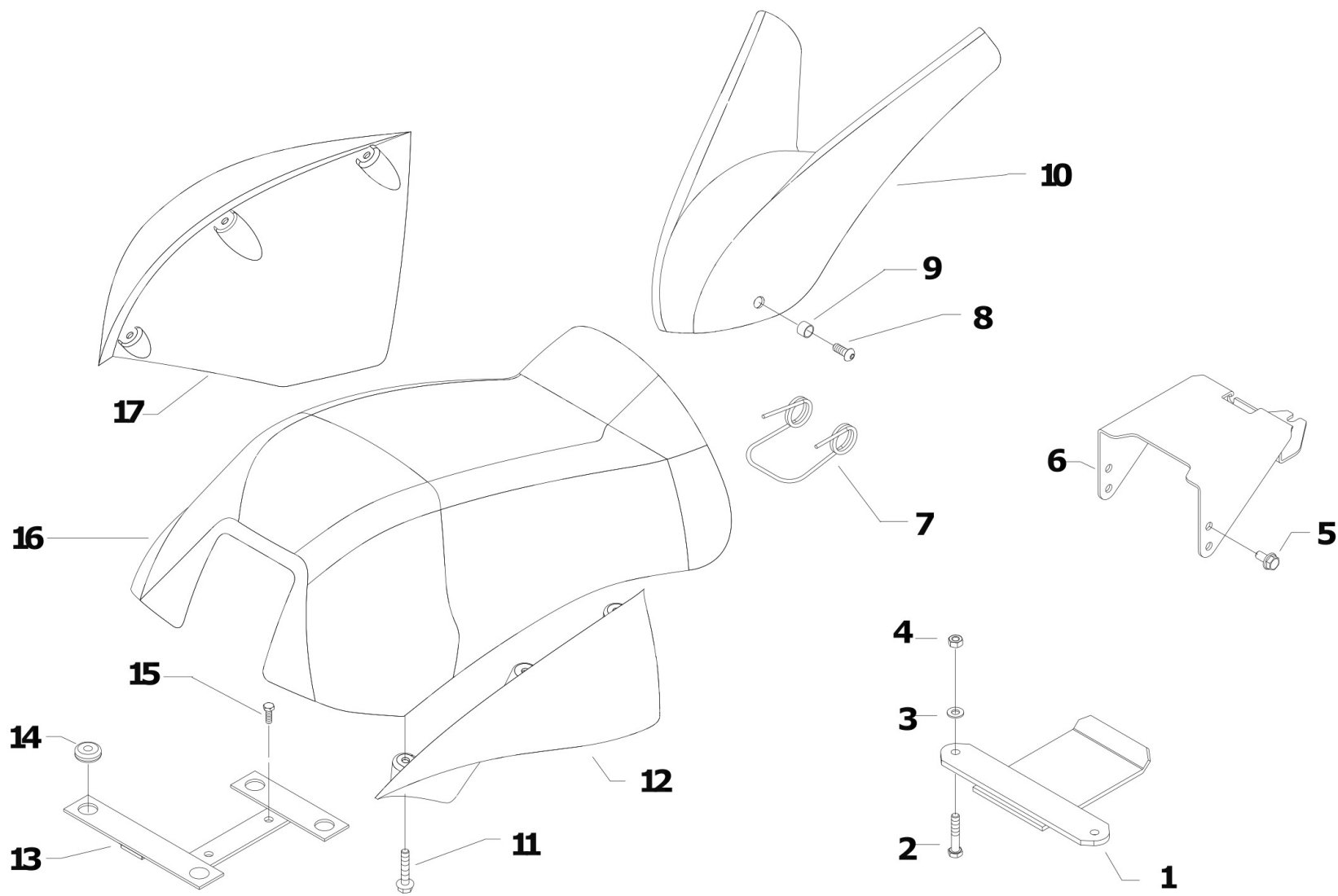
BCS Motor mowers, BCS 2-wheel tractors

630 PS



A60018 - 630 PS.....	3
A.02.02.A0041_00 - BODY.....	7
B.01.01.A0039_00 - POWERSAFE CLUCH CONTROL.....	9
C.01.01.A0039_00 - CYLINDER AND POWERSAFE CLUTCH.....	11
D.01.02.A0042_00 - POWERSAFE FILTER AND UNIT.....	13
E.01.02.A0041_00 - POWERSAFE CLUTCH HUB.....	15
F.01.02.A0041_00 - ENGINE FLANGES.....	17
G.02.02.A0041_00 - GEARBOX.....	19
H.03.02.A0041_00 - GEARS.....	21
I.04.02.A0041_00 - WHEEL AXLE.....	24
J.03.02.A0041_00 - STEERING COLUMN.....	26
K.03.02.A0041_00 - HANDLEBAR.....	28
L.03.02.A0041_00 - HANDLEBAR CONTROLS.....	30
M.03.02.A0041_00 - CONTROLS.....	33
N.01.02.A0041_00 - BRAKES.....	35
P.01.02.A0041_00 - STICKERS.....	37
P.02.02.A0041_00 - STICKERS.....	39
R.01.02.A0041_00 - WHEELS.....	41





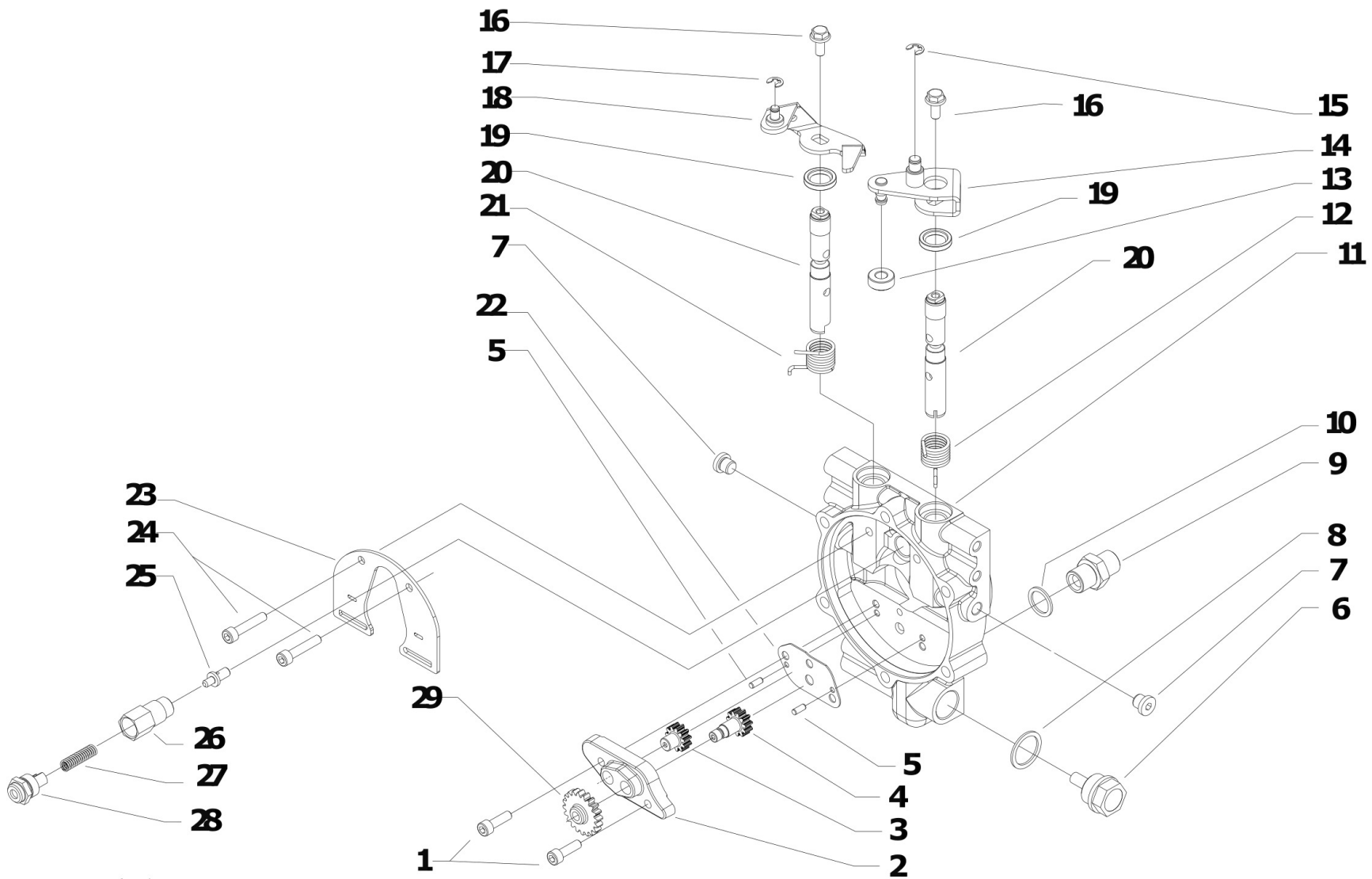
 [Click for info](#)

★ = new part



Pos.	Id	Q.ty	Description	Note
1	56156119N		SHIELD	GX
1	59056051N		SHIELD	KD350
1	59056111N		SHIELD	L100
2	31112169		SCREW TE C/F M8X40 DIN 6921	GX - L100
2	31112213		SCREW TE M10X40 UNI 5739	KD350
3	31411084		WASHER 8,4x17	L100
3	31411104		WASHER 10,5x18	KD350
4	31241084		SELFLOCK NUT M8 6S	GX - L100
4	31241100		SELFLOCK HEXAGON NUT M10	KD350
5	31112171		SCREW TE C/F M8X16 DIN 6921	
6	56156528N		TUNNEL	630 WS
6	561C1680N		TUNNEL MC HY	630
7	58056889Z		MOLLA RITEGNO CUPOLINO ZNT	
8	31121005		SCREW TBCEI FLANG. M6X25	
9	56157555		TUBE	
10	55257501		SMALL COVER	
11	31510100		RIBBED SCREW 6,3X19 UNI 6950	
12	55257503		FIN	
13	59057504N		HOLDER	
14	58056991		CABLE GLAND 90/200/30	
15	31112170		SCREW TE C/F M8X20 DIN 6921	
16	55257500		BODYWORK	
17	55257502		FIN	





 [Click for info](#)

★ = new part

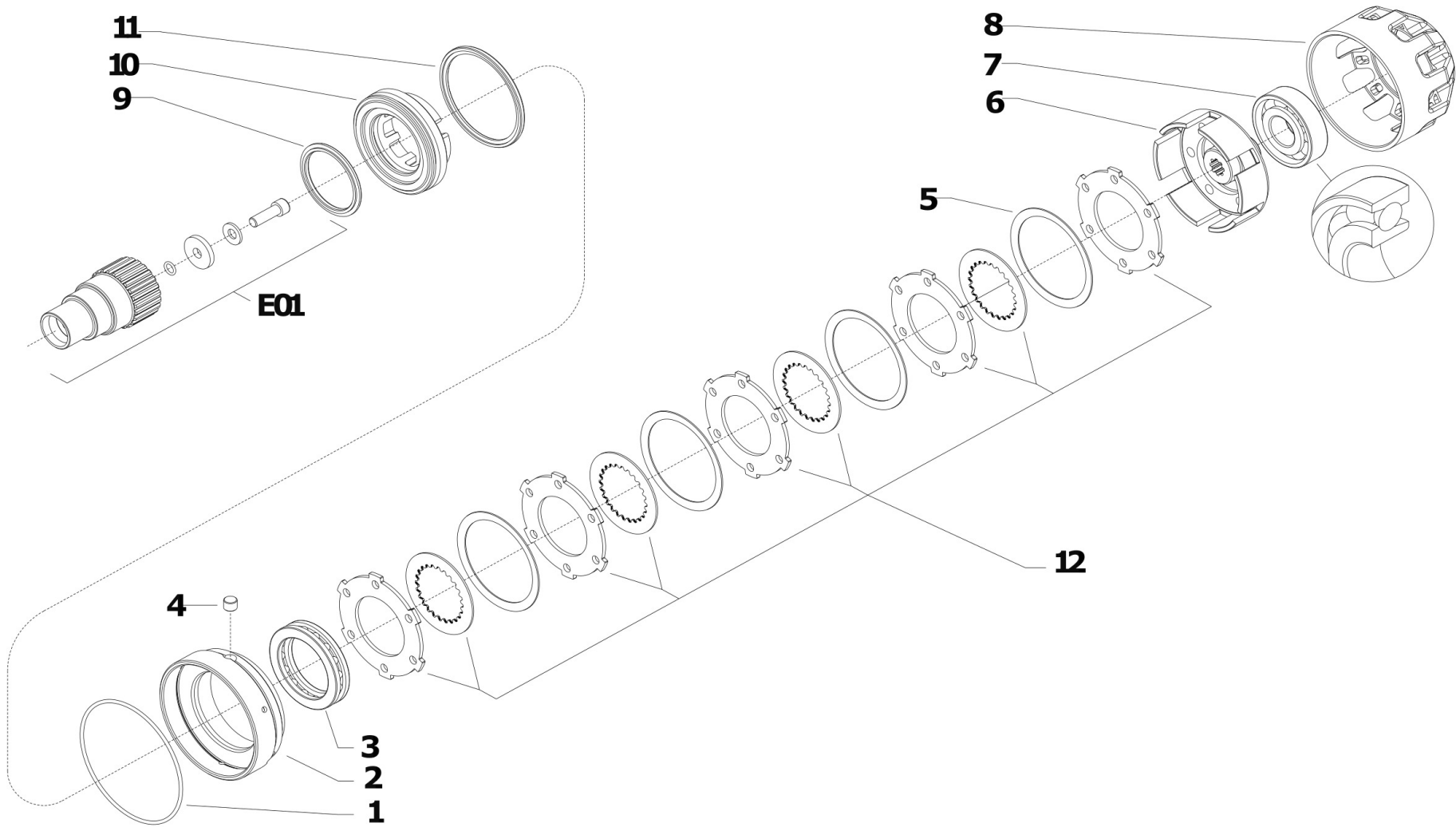


BCS Motor mowers, BCS 2-wheel tractors - 630 PS

B.01.01.A0039_00 - POWERSAFE CLUCH CONTROL

Pos.	Id	Q.ty	Description	Note
1	31152063		SCREW TCEI M6X20 UNI 5931	
2	56356364		PUMP COVER PS/14	
3	52456371		PUMP GEAR PS/14	
4	52456372		PUMP GEAR	
5	34221040		CYLINDRICAL PLUG	
6	58170021		PLUG	
7	580C0041		PLUG	
8	F0844273090		GASKET 22X28X1,5 CU 99,5	
9	30000197		NIPPLE	
10	31480184		COPPER WASHER 16,7x22/1,5	
11	59256745		POWERSAFE CLUTCH FLANGE	
12	58056222		SPRING	
13	55256228		ROLLER	
14	59056225Z		CLUTCH LEVER	
15	35211060		SEEGER RING E 6 UNI 7434	
16	31112084		SCREW TE C/F M6X14 DIN 6921 8G	
17	35211050		SEEGER RING E 5 UNI 7434	
18	59056748Z		COMPLETE STOP LEVER PS GALV.	
19	38211400		OIL SEAL 14X22X4	
20	52456220		DISTRIBUTOR	
21	58056221		SPRING	
22	56356747		PUMP RECEPTOR PS/14	
23	56156224		SHIELD	
24	31152060		SCREW TCEI M6X30 UNI 5931	
25	56456657		VALVE	
26	56156658		VALVE INSERT/INLET	
27	58056683		SPRING	
28	56356242		PLUG	
29	52456235		PUMP GEAR	





 [Click for info](#)

★ = new part

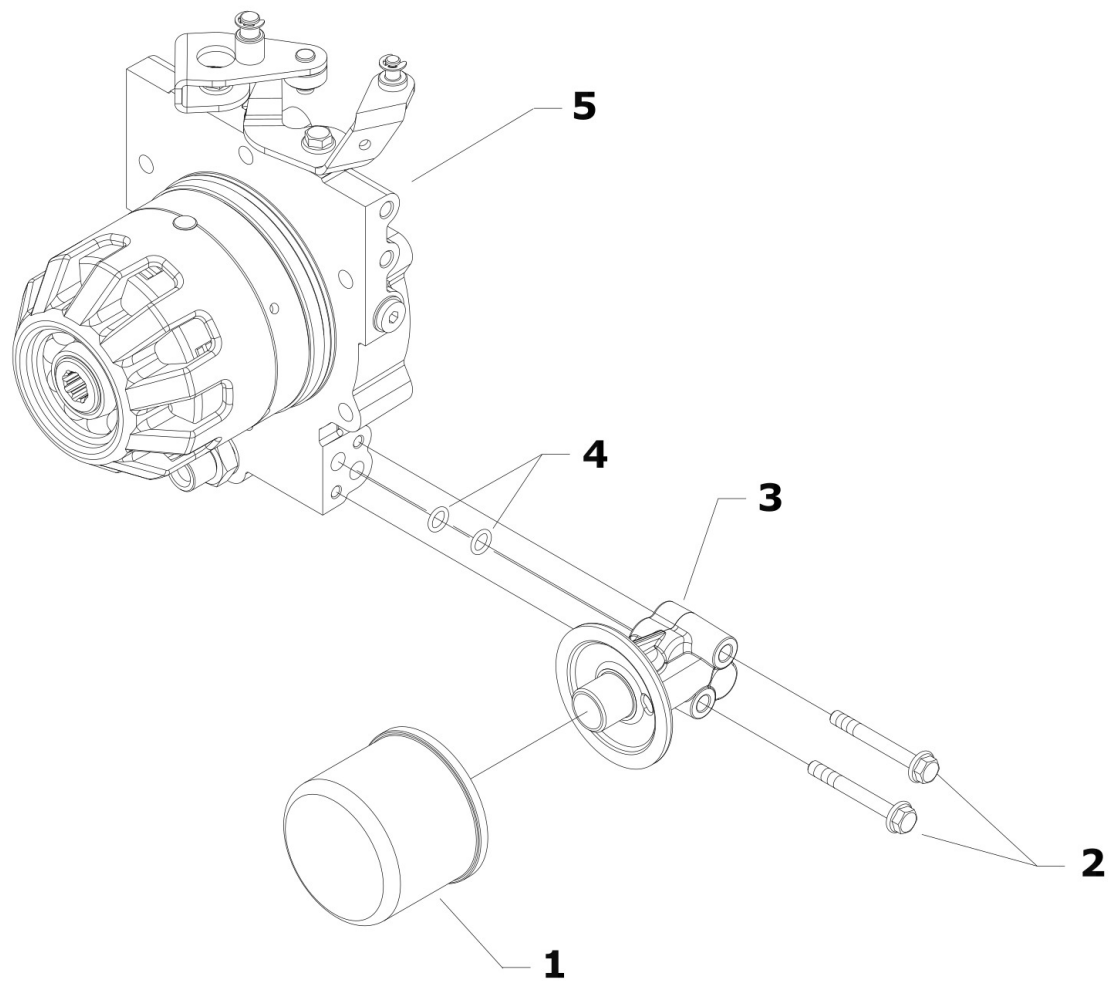


BCS Motor mowers, BCS 2-wheel tractors - 630 PS

C.01.01.A0039_00 - CYLINDER AND POWERSAFE CLUTCH

Pos.	Id	Q.ty	Description	Note
1	38118859		O-RING OR 3375 (94,92X2,62)	
2	56356216		RING	
3	37161500		BEARING 51110 (50X70X14)	
4	56156247		PIN	
5	56556213		SPRING	nr.4
6	52456694		CLUTCH HOUSING	
7	37141253		BEARING 7305-BJP OBL 25x62x17	
8	53156210		SUMP	
9	38120501		RING PTFE PRP 01A02-0500-A-32	
10	53156218		PISTON	
11	38140851		RING PTFE PRP02A02-0850-A-32-N	





 [Click for info](#)

★ = new part

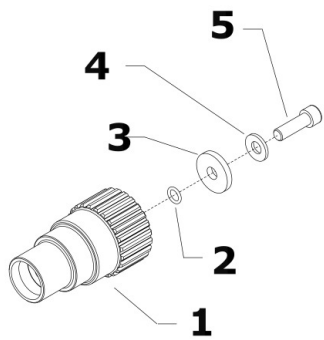


BCS Motor mowers, BCS 2-wheel tractors - 630 PS

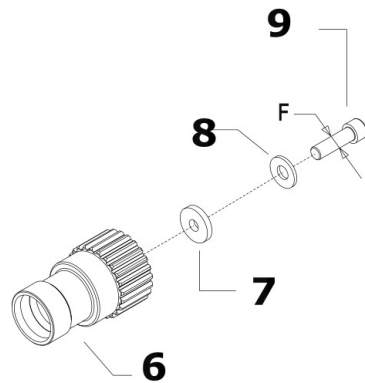
D.01.02.A0042_00 - POWERSAFE FILTER AND UNIT

Pos.	Id	Q.ty	Description	Note
1	58056208		HYDRAULIC OIL FILTER	
2	31112099		SCREW TE C/F M6X50 DIN 6921 8G	
3	53156209		CONNECTION	
4	38110873		O-RING 108 (8,73X1,78)	
5	59256035		POWERSAFE CLUTCH ASSY Q19	GP160 - GX200
5	59256036		POWERSAFE CLUTCH	GX270
5	59256037		CLUTCH FOR POWERSAFE Q25.4 (3/8)	GX340
5	59256038		POWERSAFE CLUTCH	KD350 - L100

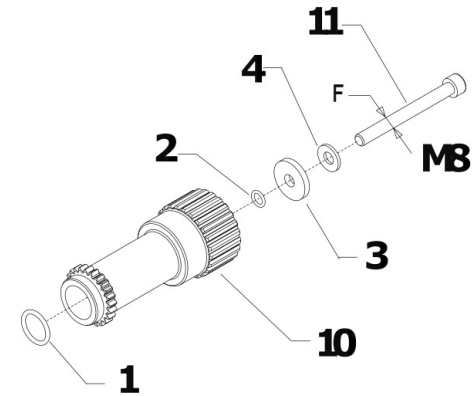




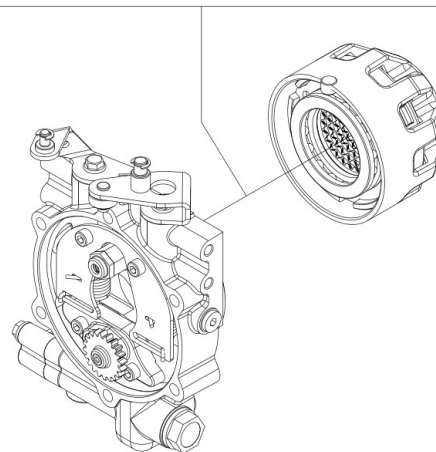
GP160-GX200



GX270-340 F=38'-24X1''-UNF



KD350-L100



i = info - stop 2 sec. ★ = new part

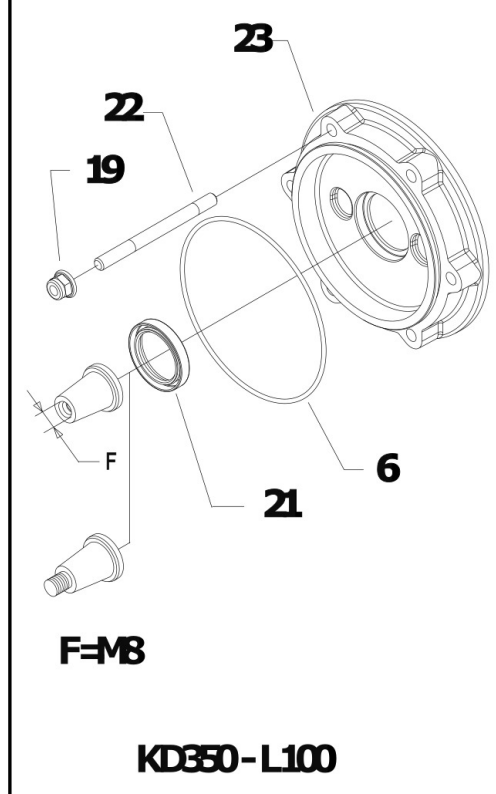
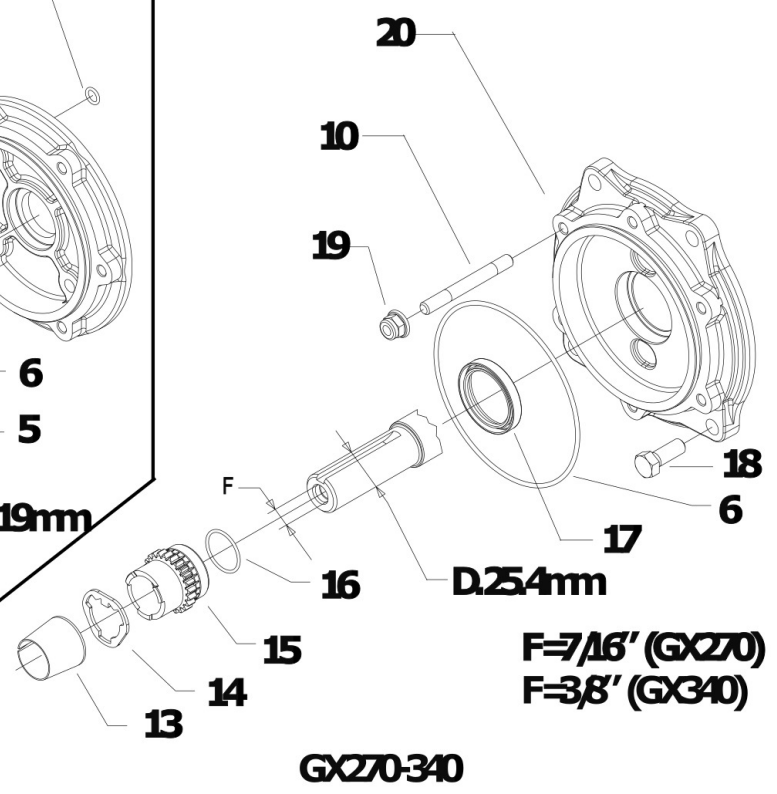
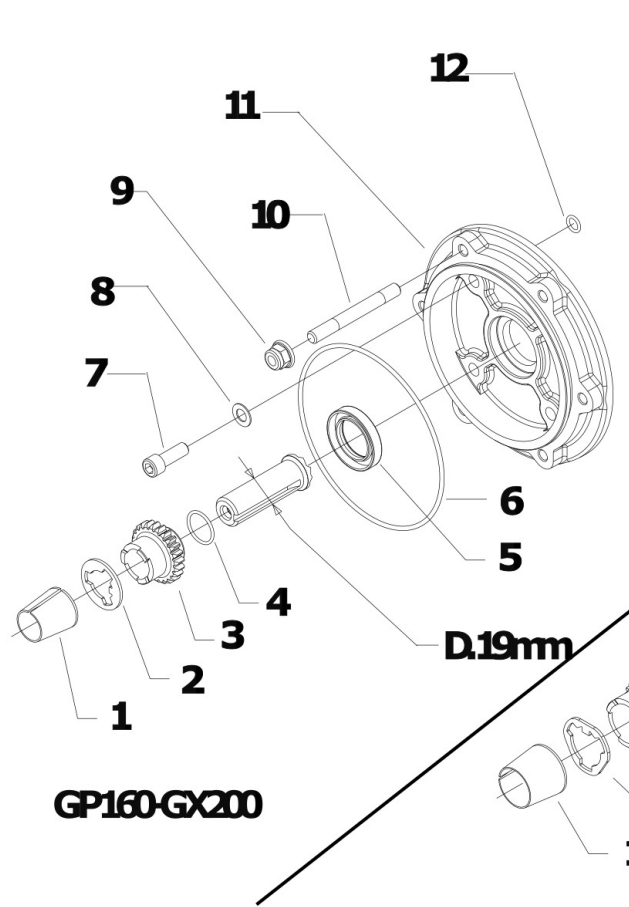


BCS Motor mowers, BCS 2-wheel tractors - 630 PS

E.01.02.A0041_00 - POWERSAFE CLUTCH HUB

Pos.	Id	Q.ty	Description	Note
1	52456234		HUB Q19	
2	38110675		O-RING 106 (6,75X1,78)	
3	56156288Z		SPECIAL WASHER SP.4	
4	31421083		WASHER	
5	31100023		SCREW 5/16-24 X 1 UNF 8G	
6	52456233		HUB Q25	
7	56156743		WASHER 30X11.5X3	GX270
7	561C0421		WASHER	GX340
8	31421101		WASHER 10 DIN 679	GX340
8	31421130		WASHER	GX270
9	31100032		SCREW TCCEI 7/16-20 X 1-1/2	GX270
9	31100033		SCREW TCCEI 3/8-24 X 1-1/2	GX340
10	52456245		HUB	
11	31152090		SCREW TCEI M8x80 UNI5931	





 [Click for info](#)

★ = new part

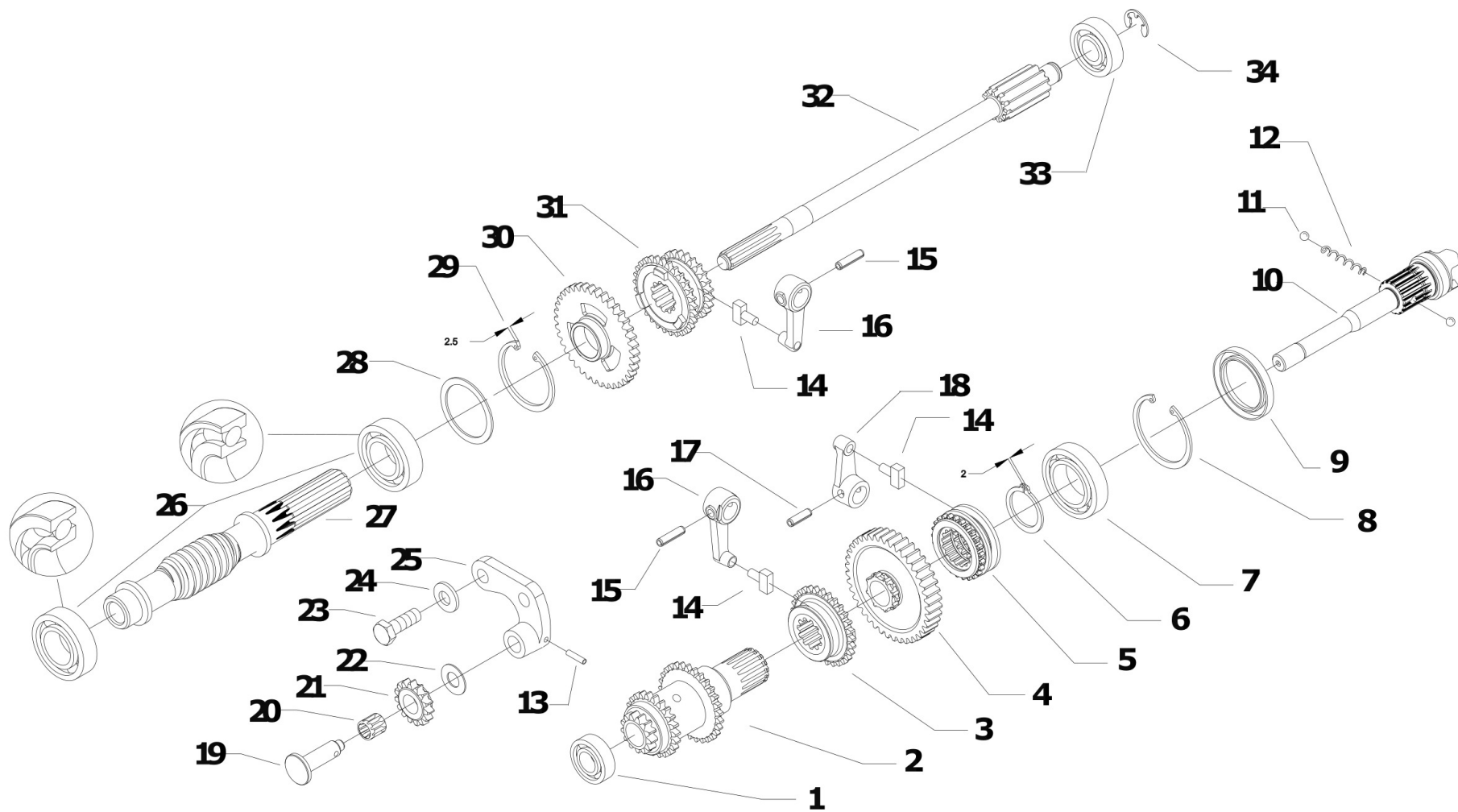


Pos.	Id	Q.ty	Description	Note
1	56156276		SLEEVE D.19	
2	56356240		TRANSMISSION	
3	52456237		PUMP GEAR	
4	F0803067000		O-RING 2075 (18,77X1,78)	
5	38212500		OIL SEAL 25X40X7	
6	38119823		O-RING 3450 (113,97x2,62)	
7	31104022		SCREW TCEI 5/16X7/8 UNF 12K	
8	31423084		SPRING WASHER 8,4	
9	31241083		SELFLOCK NUT M8	
10	31312073		STUD BOLT M8X73X14X20 8G	
11	53156206		ENGINE FLANGE Q19	
12	38110873		O-RING 108 (8,73X1,78)	
13	56156281		CENTRING BUSH D.25,4	
14	56356239		FEEDER Q25	
15	52456236		PUMP GEAR	
16	F0803075500		O-RING 2100 (25,12X1,78)	
17	38213500		OIL SEAL 35X47X7	
18	31100015		SCREW TE 3/8X1	
19	31241083		SELFLOCK NUT M8	
20	53156205		ENGINE FLANGE Q25	
21	38213202		OIL SEAL 32X45X7	
22	31312097		STUD BOLT M8X98X16X28 8G	
23	53156207		ENGINE FLANGE	



Pos.	Id	Q.ty	Description	Note
1	31112083		SCREW M6X12	
2	56147520Z		COVER	
3	58056447		GASKET	
4	31312094		STUD BOLT M8X68X14X36	
5	53156332N		REAR COVER	
6	31241084		SELFLOCK NUT M8 6S	
7	31312125		STUD BOLT 64XM12X1,25X26XM12X30 8G	
8	31421132		WASHER 13X24X2,8	
9	31221121		NUT M12X1,25	
10	31312084		STUD BOLT M8X58X16X16	
11	58043053		CYLINDRICAL PLUG	
12	31312082		STUD BOLT M8X38X14X20	
13	59056244		SUCTION PIPE	
14	31480184		COPPER WASHER 16,7x22/1,5	
15	53156202N		BOX CASING	
16	53143875N		GEARBOX HOUSING COVER	
17	59256762		OIL CAP M COMPLETE	





 [Click for info](#)

★ = new part

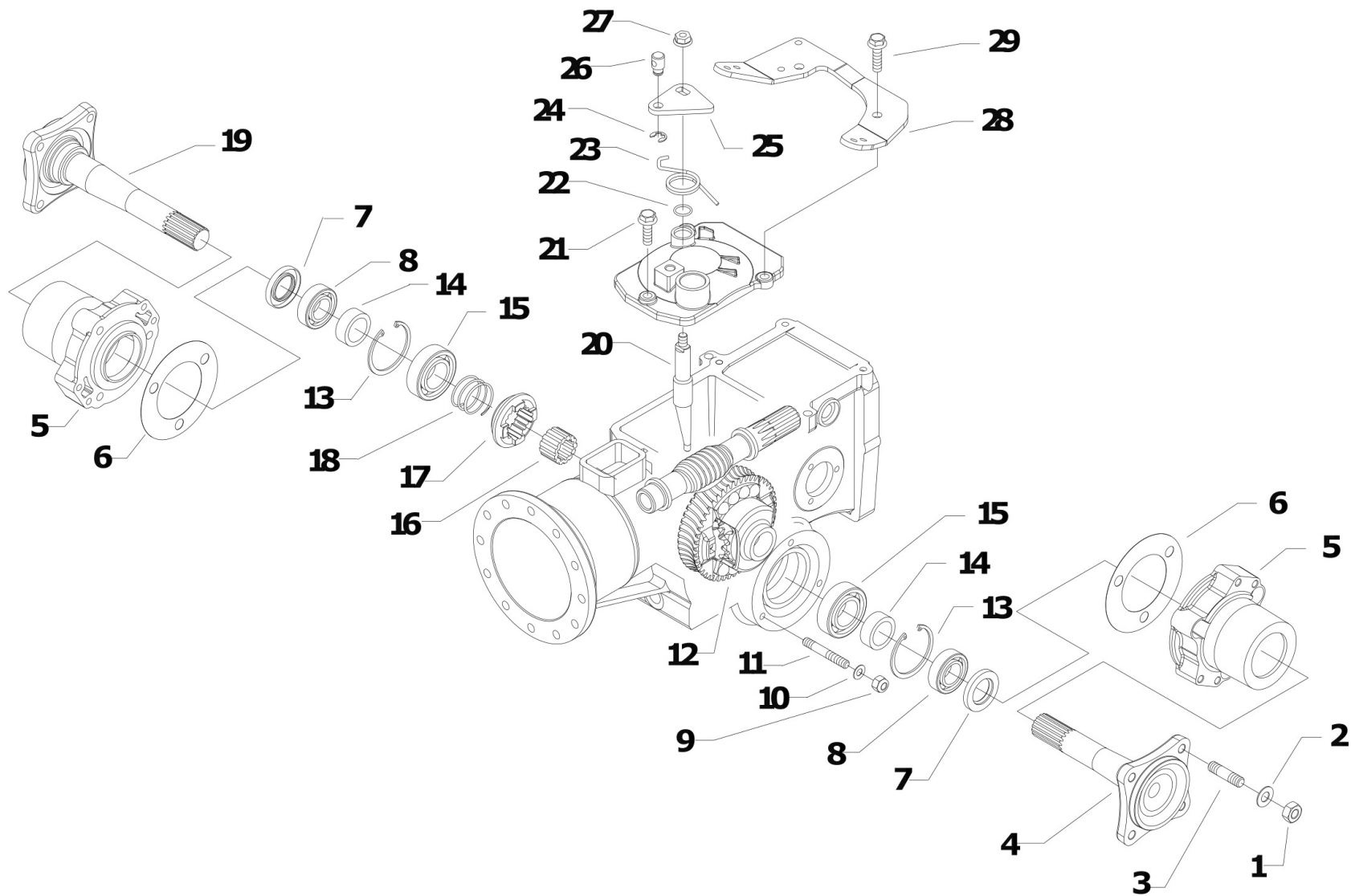


Pos.	Id	Q.ty	Description	Note
1	37111151		BEARING 6202 (15X35X11)	
2	59056383		TRIPLE GEAR	
3	52456370		SLIDER	
4	59056707		GEAR	
5	52456706		PTO COUPLING	
6	35121031		SEEGER RING E 30 UNI 7436	
7	37112229		BEARING 6006 (30X55X13) SKF	
8	35111055		SEEGER RING I 55 DIN 472	
9	38213800		OIL SEAL 38X55X7	
10	52456336		PTO SHAFT L=193	
11	37910832		BALL 1/4	
12	58056391		SPRING	
13	34211042		ROLL PIN	
14	58043086		SHOE	
15	34213060		ROLL PIN	
16	52456389		LEVER	
17	34213061		ROLL PIN	
18	52456390		LEVER	
19	56456736		GEAR PIN	
20	37320120		ROLLER CAGE 12X15/10	
21	56456347		GEAR	
22	56356348		ADJUSTING RING	
23	31112211		SCREW TE M10X30 UNI 5739	
24	31421101		WASHER 10 DIN 679	
25	52456349		GEAR SUPPORT	
26	37141250		BEARING 7205-B OBL SKF	
27	56456478		SCREW 2	
28	56356328		ADJUSTING RING SP=1,5	
28	56356329		ADJUSTING RING SP=1,6	



Pos.	Id	Q.ty	Description	Note
28	56356330		ADJUSTING RING SP=1,7	
28	56356331		ADJUSTING RING SP=1,8	
29	35111053		SEEGER RING I 52 UNI 7438	
30	52456354		GEAR	
31	52456360		SLIDER	
32	52456340		SHAFT	
33	37111152		BEARING 6302 (15X42X13) SKF	
34	35211120		SEEGER RING E 12 UNI 7434	





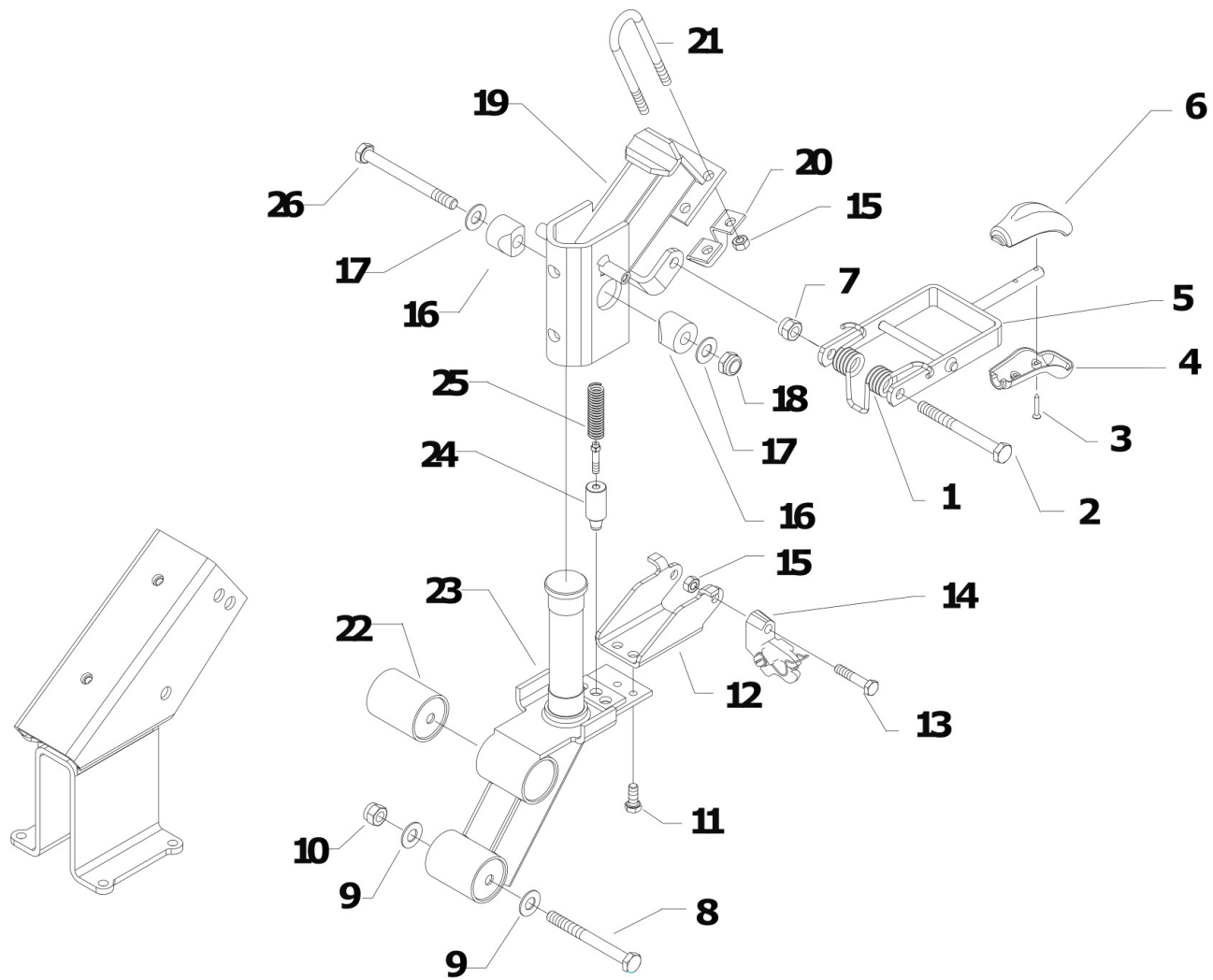
 [Click for info](#)

★ = new part



Pos.	Id	Q.ty	Description	Note
1	31211100		NUT M10	
2	31423105		SPRING WASHER 10,5	
3	31312102		STUD BOLT M10X40X24X12	
4	52448187N		AXLE SHAFT	
5	53243851N		HUB	
6	58043855		GASKET	
7	38213002		OIL SEAL 30X40X7	
8	37111253		BEARING 6005 (25X47X12)	
9	31241080		HEXAGON SELFLOCK NUT M8	
10	31423084		SPRING WASHER 8,4	
11	31312080		STUD BOLT M8X46X20X12	
12	59048181		DIFFERENTIAL GEAR	
13	35111047		SEEGER RING I 47 DIN 472	
14	56148184		RING	
15	37111250		BEARING	
16	56448183		SPACER	
17	56448196		COUPLING	
18	58043874		SPRING	
19	52448188N		AXLE SHAFT	
20	56443871		ROD	
21	31112166		SCREW TE C/F M8X25 DIN 6921 8G	
22	38111400		O-RING (14,00X1,78)	
23	58043881Z		SPRING	
24	35211060		SEEGER RING E 6 UNI 7434	
25	56156219Z		LEVER	
26	56156828Z		STOP	
27	31241084		SELFLOCK NUT M8 6S	
28	56156827N		STOP	
29	31112167		SCREW TE C/F M8X30 DIN 6921 8G	





 [Click for info](#)

★ = new part

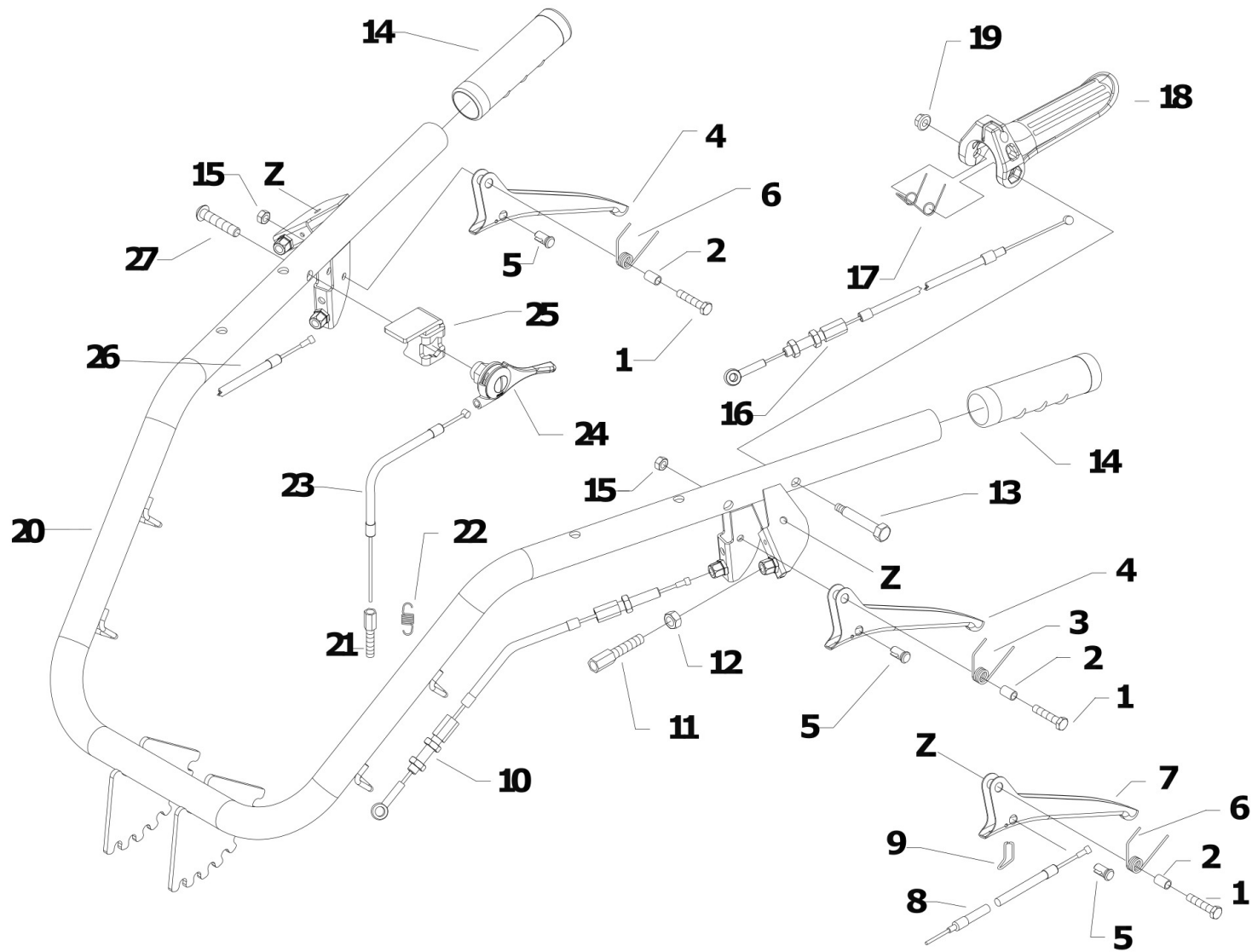


BCS Motor mowers, BCS 2-wheel tractors - 630 PS

J.03.02.A0041_00 - STEERING COLUMN

Pos.	Id	Q.ty	Description	Note
1	58056942Z		HANDLEBAR UNLOCKING SPRING	
2	31111229		SCREW TE M10X110 UNI 5737 8G	
3	31100451		SCREW 3,5X25	
4	55157213		GRIP	
5	59057010N		LEVER	
6	55157212		GRIP	
7	31241100		SELFLOCK HEXAGON NUT M10	
8	31112295		SCREW TE M12X90 UNI 5737	
9	31423130		SPRING WASHER EL 13 DIN 137-B	
10	31241121		SELFLOCK NUT M12	
11	31112081		SCREW TE C/F M6X20 DIN 6921 8G	
12	59256880		CONNECTION	
13	31112165		SCREW TE C/F M8X35 DIN 6921 8G	
14	59243337		ROD SUPPORT WITH SPRING	
15	31241080		HEXAGON SELFLOCK NUT M8	
16	52156917		WEDGE	
17	31421100Z		CUP SPRING 25X12,2X1,5 D2093	
18	31241126		SELFLOCK NUT M12	
19	59056875N		COLUMN	
20	56156948		STOP	
21	56156940		U BOLT	
22	30010120		SILENT-BLOCK 12X40X58X66	
23	59056886		COLUMN	
24	56356924		FERRULE	
25	58056918		SPRING	
26	31112293		SCREW TE M12X80 UNI 5737	





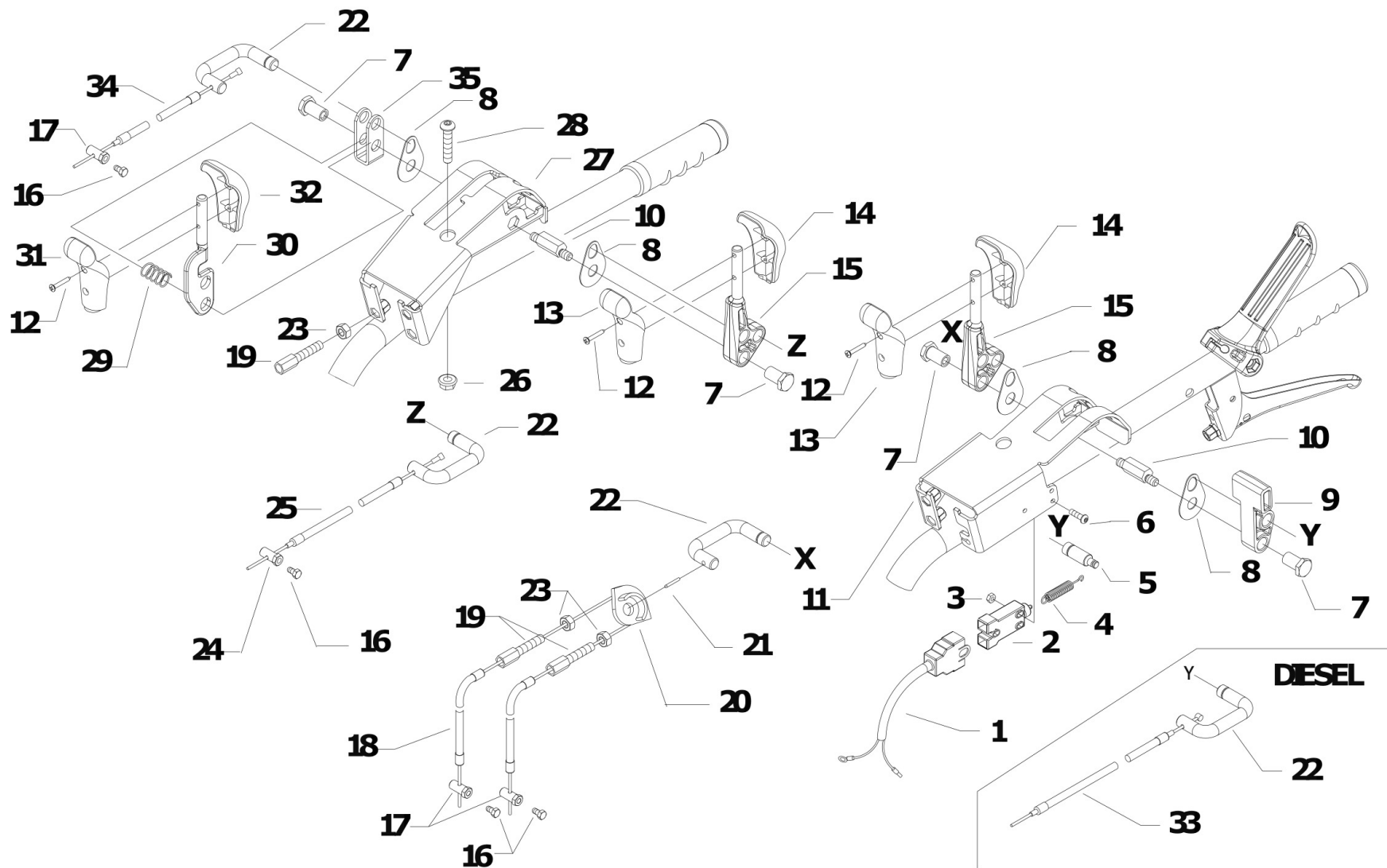
 [Click for info](#)

★ = new part



Pos.	Id	Q.ty	Description	Note
1	31112089		SCREW TE M6X25 UNI 5739 8G	
2	56156603Z		SPACER	
3	58050345		SPRING	
4	56148470N		LEVER	
5	58150313		CABLE CLAMP	
6	58056593Z		SPRING	
7	56156604N		CLUTCH LEVER	
8	58043216		LINE AND SHEATH (L=1160)	
9	58047649		CLEVIS	
10	58056523		LINE L=1490	
11	58056595		ADJUSTING SCREW M8	
12	31211080		NUT M8	
13	56356184Z		LEVER PIN	
14	58048000		KNOB D=27	
15	31241060		HEXAGON SELFLOCK NUT M6	
16	58056524		LINE L=1560	
17	58056186Z		SPRING	
18	55256185		LEVER	
19	31241065		SELFLOCK NUT M6	
20	59256537		HANDLE BAR	
21	58147704		ADJUSTING SCREW	
22	58056155		RESTORING SPRING	GX270
23	58056812		LINE AND SHEATH L=1680	GX270
23	58057342		LINE AND SHEATH (L=1470)	KD350
24	58002538		ACCELERATOR	
25	56156874N		PANEL	
26	58057211		TRANSMISSION	
27	31121020		SCREW TBCEI M8X40 ISO7380 10K Z	





 [Click for info](#)

★ = new part



BCS Motor mowers, BCS 2-wheel tractors - 630 PS

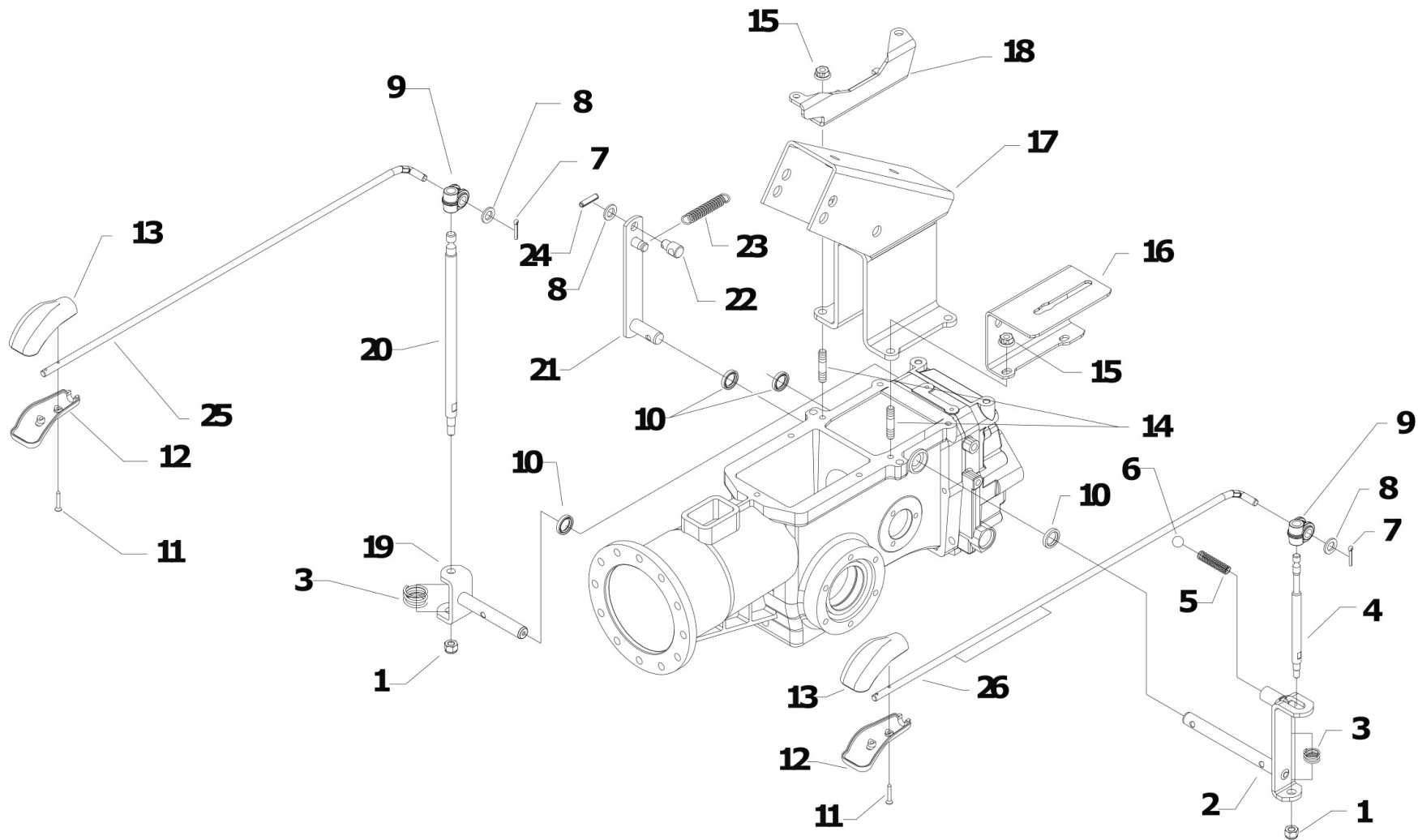
L.03.02.A0041_00 - HANDLEBAR CONTROLS

Pos.	Id	Q.ty	Description	Note
1	58056837		WIRING	
2	58048009		ENGINE STOP SWITCH	
3	31241042		SELFLOCK NUT M4 FL.6S	
4	58047712		SPRING	
5	56156834Z		INDEXING BOLT	
6	31121024		SCREW TBCEI FL.M4X25	
7	56148287		STUD BOLT	
8	56356833Z		SMALL PLATE	
9	55256197		MOTOR STOP LEVER	
10	56356858Z		PIN	
11	59256180		SUPPORT	
12	31100451		SCREW 3,5X25	
13	55157213		GRIP	
14	55157212		GRIP	
15	53156860		COMMAND LEVER	
16	31112090		SCREW TE M6X16 UNI 5739 8G	
17	56356840Z		CLAMPING SCREW	
18	58057220		LINE AND SHEATH L=880	
19	58056595		ADJUSTING SCREW M8	
20	55256757		PULLEY	
21	34213020		ROLL PIN	
22	56156832Z		U BOLT	
23	31211080		NUT M8	
24	58042200		CLAMPING SCREW	
25	58056895		FILO E GUAINA DIFF. L=1050	
26	31241084		SELFLOCK NUT M8 6S	
27	59256850		SUPPORT	
28	31121020		SCREW TBCEI M8X40 ISO7380 10K Z	
29	58049830		SPRING	



Pos.	Id	Q.ty	Description	Note
30	52156810Z		COMMAND LEVER	
31	55157215		GRIP	
32	55157214		GRIP	
33	58048005		LINE AND SHEATH (L=1170)	KD350
34	58049670		LINE AND SHEATH (L=1080)	
35	56156859Z		FORK	





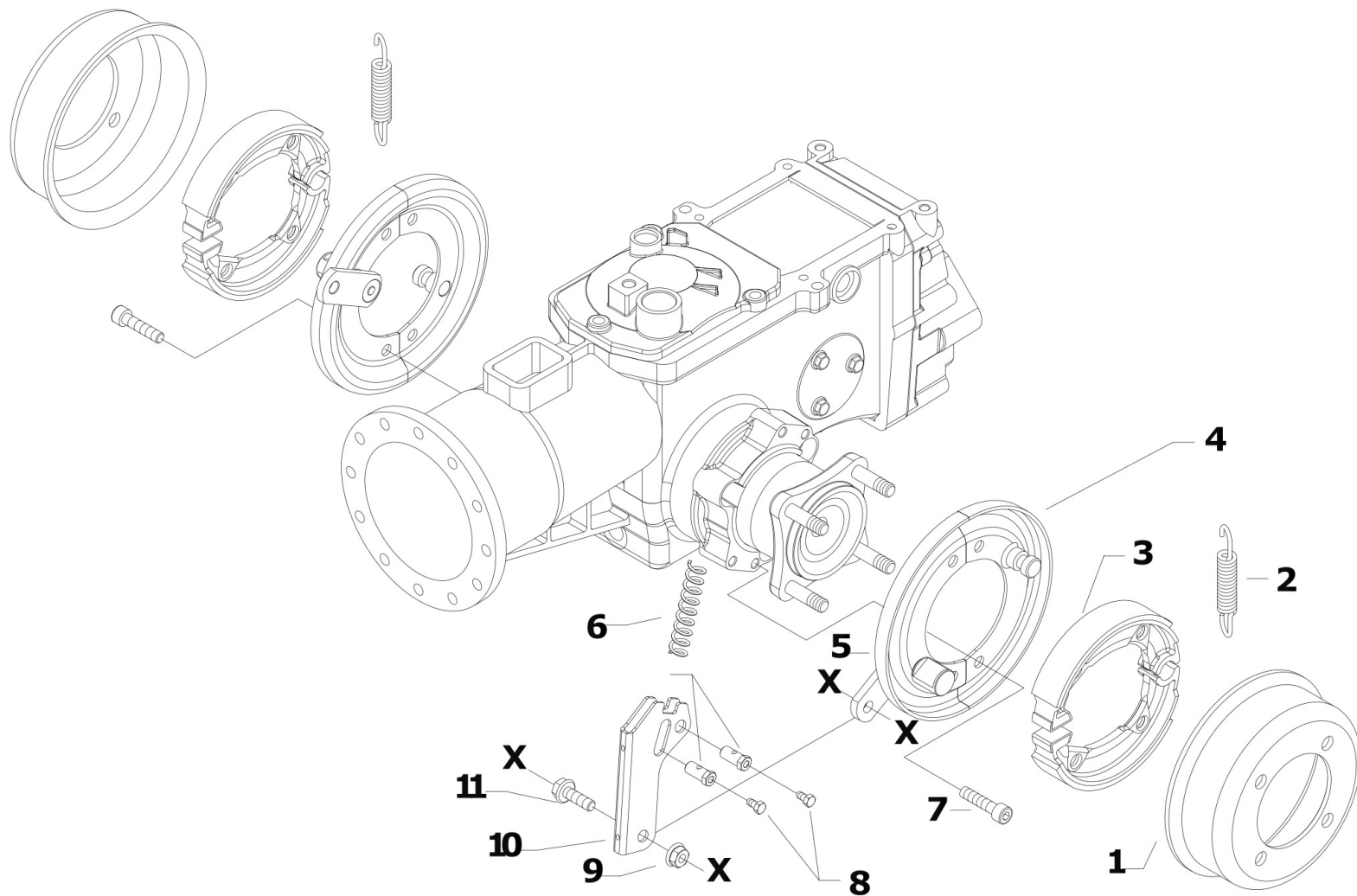
 [Click for info](#)

★ = new part



Pos.	Id	Q.ty	Description	Note
1	31241080		HEXAGON SELFLOCK NUT M8	
2	590C1008Z		LEVA CAMBIO MF 4+3 C.TA/14 ZNT	
3	58057232Z		SPRING	
4	56356738Z		COMMAND LEVER	
5	58043176		SPRING	
6	37911532		BALL 15/32	
7	34110028		SPLIT PIN A3X15 UNI 1336	
8	31411104		WASHER 10,5x18	
9	55242528		JOINT	
10	38211400		OIL SEAL 14X22X4	
11	31100451		SCREW 3,5X25	
12	55157213		GRIP	
13	55157212		GRIP	
14	31312082		STUD BOLT M8X38X14X20	
15	31241084		SELFLOCK NUT M8 6S	
16	561C1751H		SELETTORE MARCE MF 630 PS	
17	59056975		SUPPORT	
18	56157429N		CONTRASTO LEVA INVERTITORE MF	
19	590C1040Z		COMPLETE PTO LEVER GALV.	
20	561C1045Z		PTO LEVER	
21	59057240Z		LEVA INVERTITORE COMPLETA ZNT	
22	58042200		CLAMPING SCREW	
23	58057247		SPRING	
24	34211029		ROLL PIN	
25	56157367Z		ROD	
26	59057366Z		PULL ROD	





 [Click for info](#)

★ = new part



Pos.	Id	Q.ty	Description	Note
1	56148218N		BRAKE DRUM	
2	58048215		SPRING	
3	58048214		BRAKE BLOCK	
4	59048208N		HALF DISC	
5	59048200N		HALF DISC	
6	58056918		SPRING	
7	31152085		SCREW TCEI M8X25 UNI 5931	
8	31112090		SCREW TE M6X16 UNI 5739 8G	
9	31241084		SELFLOCK NUT M8 6S	
10	56156831Z		FORK	
11	31112166		SCREW TE C/F M8X25 DIN 6921 8G	





1



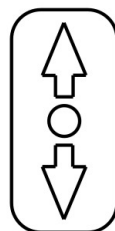
2



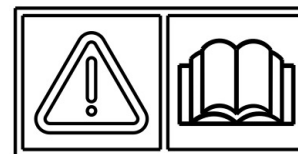
3



4



5



6



7



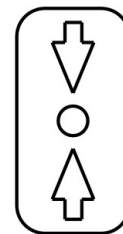
8



9



10



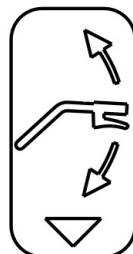
11



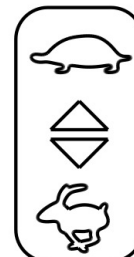
12



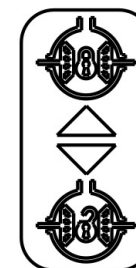
13



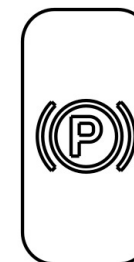
14



15



16



17

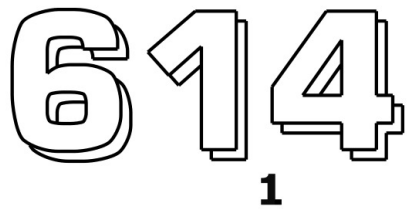
 [Click for info](#)

★ = new part

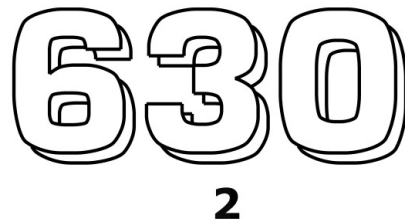


Pos.	Id	Q.ty	Description	Note
1	58056866		DECAL	
2	58057677		DECAL	
3	58057665		ADESIVA 3 MARCE 630 PS	
4	58056869		DECAL	
5	58057748		DECAL	
6	58057724		DECAL	
7	58057767		DECAL	
8	58056868		DECAL	
9	58057774		DECAL	
10	58093089		DECAL	
11	580C1772		ADESIVA INVERTITORE MF 614 PS	
12	58057768		DECAL	
13	530C0056		DECAL MADE IN ITALY	
14	58057746		DECAL	
15	58057773		DECAL	
16	58057625		DECAL	
17	58057747		DECAL	

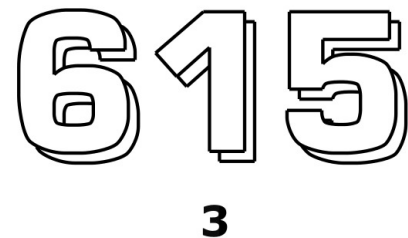




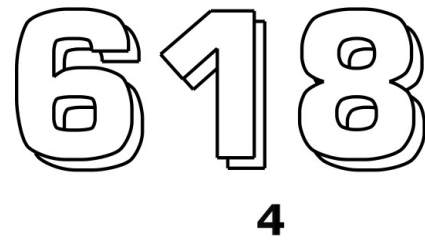
1



2



3



4



7



5



6



8

 [Click for info](#)

★ = new part



Pos.	Id	Q.ty	Description	Note
1	580C1775		ADESIVA 614	
2	58058469		DECAL 630	
3	580C1577		ADESIVA 615 PS	
4	580C1578		ADESIVA 618 PS	
5	53093088		OVAL LOGO	
6	53048656		OVAL LOGO	
7	58058467		DECAL 630WS /11	
8	53058450		SMALL OVAL LOGO	



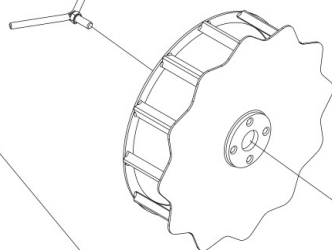
		A	B	C
*	5.0-10"	39115010	39415010	58048330
	21 x 11.0 - 8"	39113501	TUBELESS	58057795
**	20 x 8.00 - 10"	39116018	39416018	58044804
	23 x 8.5 - 12"	39118522	39416018	592C0453

KIT GEMELLAGGIO PER 5.0-10"
 TWINNING KIT FOR 5.0-10"
 JUMELAGE KIT POUR 5.0-10"
 KT GEMELOS POR 5.0-10"
 ZWILLINGS KIT 5.0-10"

* SUPERBITE

(50-10') 9

14



11

10

3

2

1

13

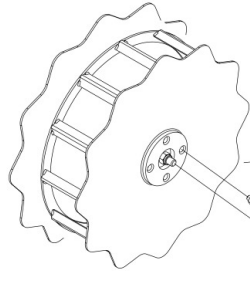
12

7

8

** SUPERBITE

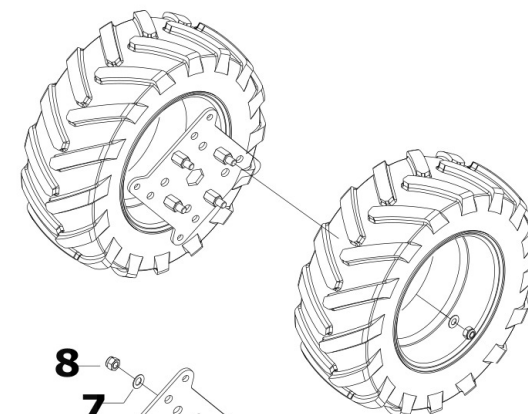
20x800-10'



15

16

17



8

7

1

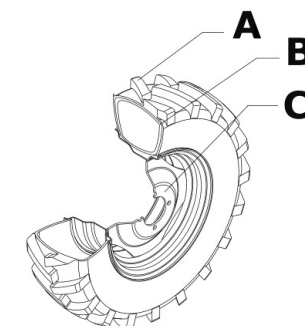
2

3

6

5

4



A

B

C



[Click for info](#)

★ = new part



Pos.	Id	Q.ty	Description	Note
1	31241080		HEXAGON SELFLOCK NUT M8	
2	31423084		SPRING WASHER 8,4	
3	31112151		SCREW TE M8X25 UNI 5739 8G	
4	31241100		SELFLOCK HEXAGON NUT M10	
5	31423105		SPRING WASHER 10,5	
6	56359554		PIN	
7	31423130		SPRING WASHER EL 13 DIN 137-B	
8	31241120		SELFLOCK NUT M12	
9	59259555		SUPER-BITE WHEEL X 5.00-10	
10	31421101		WASHER 10 DIN 679	
11	31112219		SCREW TE M10X25 UNI 5739	
12	59059551		FLANGE	
13	56359553		PIN	
14	59059561		SCREW	
15	59259598		WHEEL	
16	56359593		DRIVING PIN	
17	59059591		SPACER	

