



**BCS Motor mowers, BCS 2-wheel tractors**

**630 WS MAX PS ED**

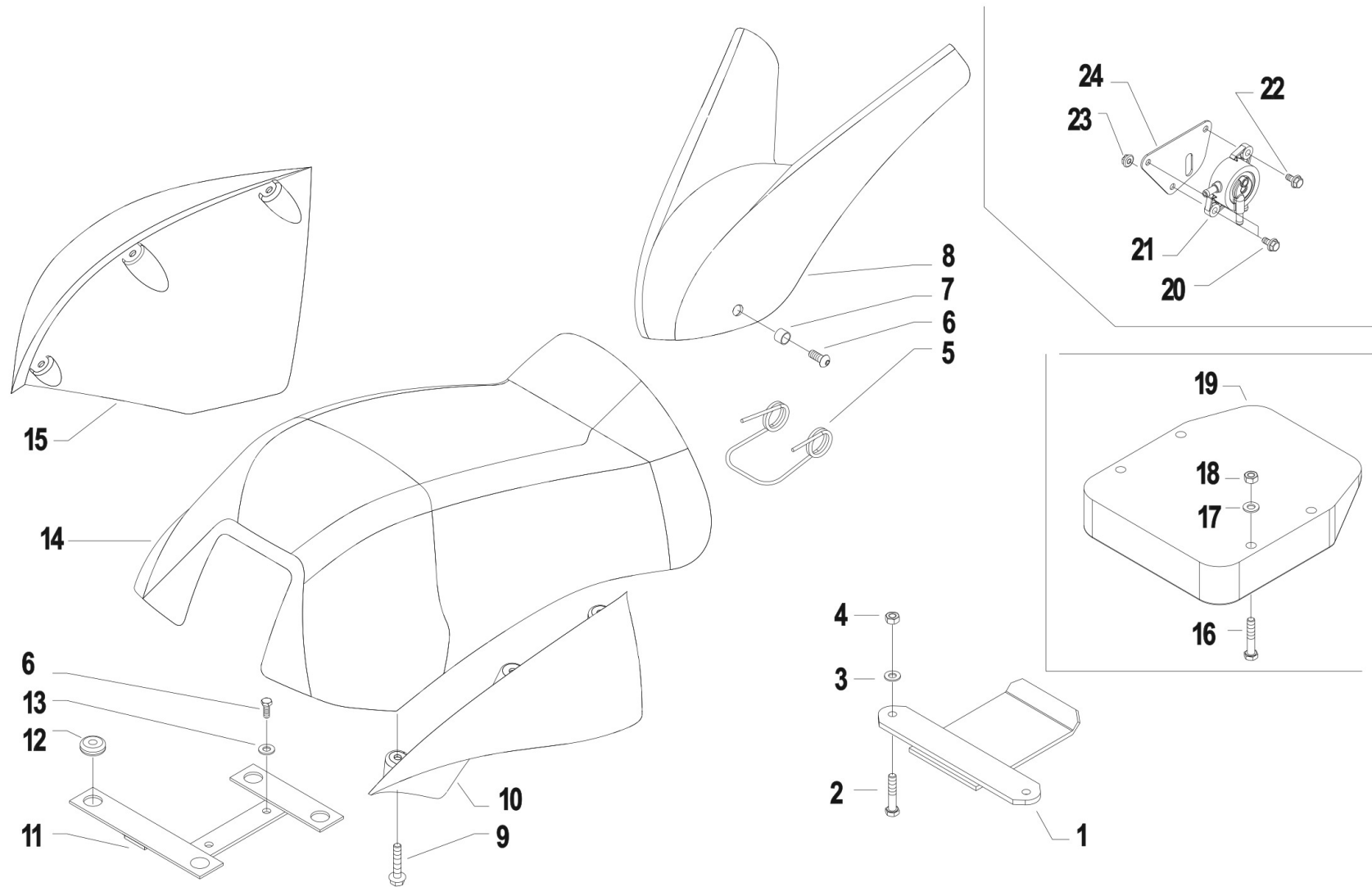


A60006 - 630 WS MAX PS ED.....	4
A.02.05.A0005_00 - A02_00 - BODY.....	7
B.01.01.A0001_03 - POWERSAFE CLUCH CONTROL.....	9
B.01.01.A0001_04 - POWERSAFE CLUCH CONTROL.....	11
B.01.01.A0001_05 - POWERSAFE CLUCH CONTROL.....	13
C01_0_116836 - CYLINDER AND POWERSAFE CLUTCH.....	15
C01_1_125029 - CYLINDER AND POWERSAFE CLUTCH.....	17
C.01.01.A0001_02 - CYLINDER AND POWERSAFE CLUTCH.....	19
D.01.01.A0001_02 - POWERSAFE FILTER AND UNIT.....	21
E.01.05.A0005_02 - POWERSAFE CLUTCH HUB.....	23
E.01.05.A0005_03 - POWERSAFE CLUTCH HUB.....	25
F.01.05.A0005_01 - ENGINE FLANGES.....	27
G.02.05.A0005_00 - GEARBOX.....	29
G.02.05.A0005_01 - GEARBOX.....	31
H.02.05.A0005_00 - GEARS.....	33
H.02.05.A0005_01 - GEARS.....	35
H.03.05.A0005_00 - GEARS.....	37
H.03.05.A0005_01 - GEARS.....	40
H.03.05.A0005_02 - GEARS.....	43
H.04.05.A0005_00 - GEARS.....	46
H.05.05.A0005_00 - PARKING BRAKE.....	48
I.02.05.A0005_00 - WHEELS AXLE.....	50
I.03.05.A0005_00 - WHEELS AXLE.....	52
J.02.05.A0005_00 - STEERING COLUMN.....	55
J.02.05.A0005_01 - STEERING COLUMN.....	58
K.02.05.A0005_00 - HANDLEBAR.....	61
L.02.05.A0005_00 - KNOB.....	63
L.02.05.A0005_01 - KNOB.....	65
L.02.05.A0005_02 - KNOB.....	67



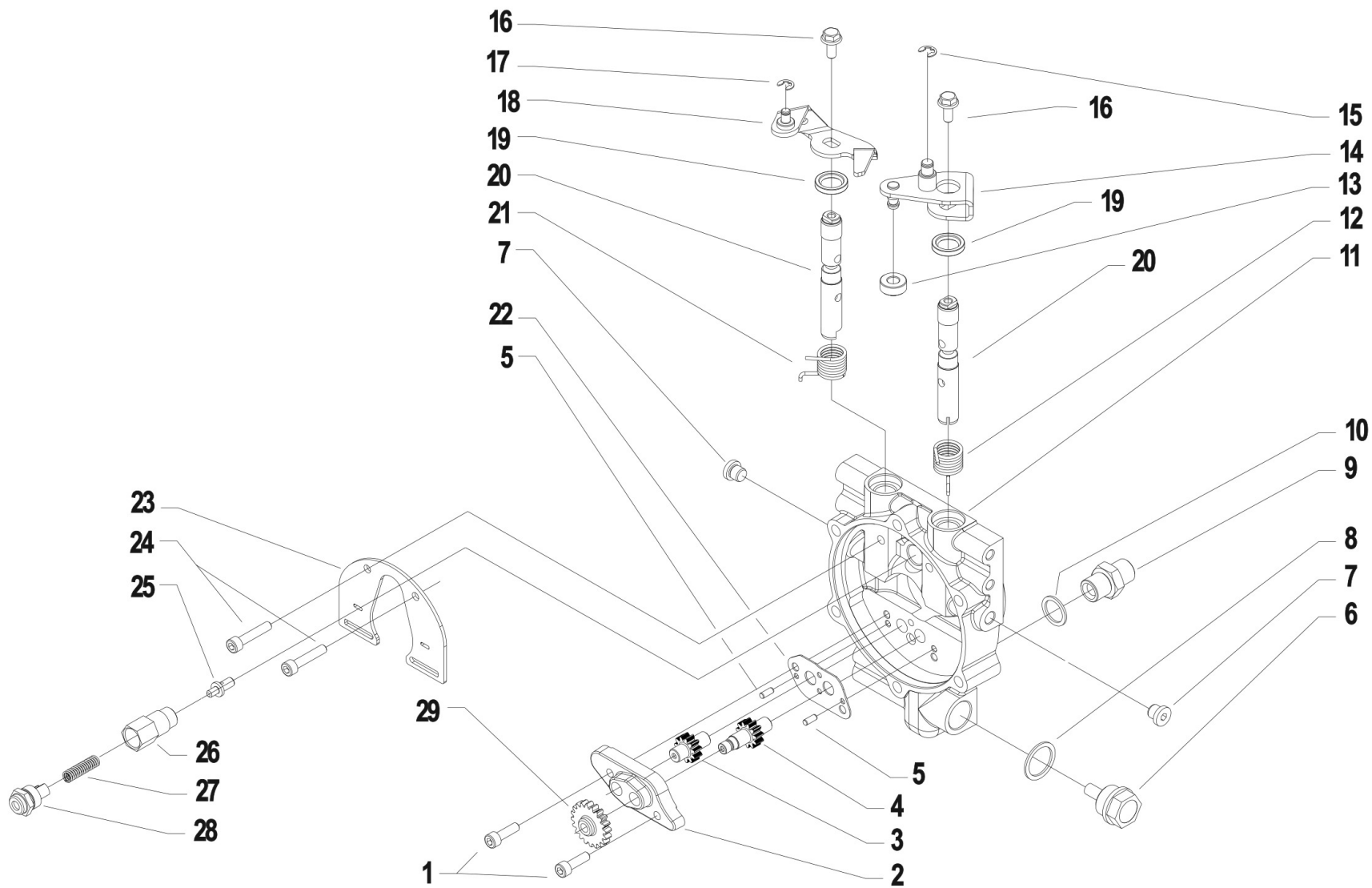
L.03.05.A0005_00 - HANDLEBAR CONTROLS.....	69
M.02.05.A0005_00 - CONTROLS.....	71
P.02.05.A0005_00 - WHEELS.....	73
Q.01.05.A0005_01 - STICKERS.....	75
Q.02.05.A0005_01 - STICKERS.....	77





Pos.	Id	Q.ty	Description	Note
1	56156119	1	SHIELD	For engines GX340/GX390/EX21
1	59056051	1	SHIELD	For the engine 15LD350
1	59056111	1	SHIELD	For the engine L100AE
2	31112154	1	SCREW TE M8X40 UNI 5739 8G	
2	31112213	1	SCREW TE M10X40 UNI 5739	For the engine 15LD350
3	31411084	1	WASHER 8,4x17	
3	31411104	1	WASHER 10,5x18	For the engine 15LD350
4	31241100	1	SELFLOCK HEXAGON NUT M10	For the engine 15LD350
5	58056889	1	RETAINING SPRING	
6	31121005	1	SCREW TBCEI FLANG. M6X25	
7	56157555	1	TUBE	
8	55257501	1	SMALL COVER	
9	31510100	1	RIBBED SCREW 6,3X19 UNI 6950	
10	55257503	1	FIN	
11	59057504	1	HOLDER	
12	58056991	1	CABLE GLAND 90/200/30	
13	31421083	1	WASHER	
14	55256416	1	BODYWORK	Mower for Reform
14	55257500	1	BODYWORK	For mower BCS
15	55257502	1	FIN	
16	31111164	1	SCREW TE M8X90 UNI 5737 8G	Mower for Reform
17	31411084	1	WASHER 8,4x17	Mower for Reform
18	31241080	1	HEXAGON SELFLOCK NUT M8	Mower for Reform
19	58156120	1	CONT.ACT340 REFORM 800.009.124	Mower for Reform
20	31112081	1	SCREW TE C/F M6X20 DIN 6921 8G	For the engine EX35
21	58156135	1	PUMP	For the engine EX35
22	31112084	1	SCREW TE C/F M6X14 DIN 6921 8G	For the engine EX35
23	31241065	1	SELFLOCK NUT M6	For the engine EX35
24	56156134H	1	CONNECTION	For the engine EX35





BCS Motor mowers, BCS 2-wheel tractors - 630 WS MAX PS ED

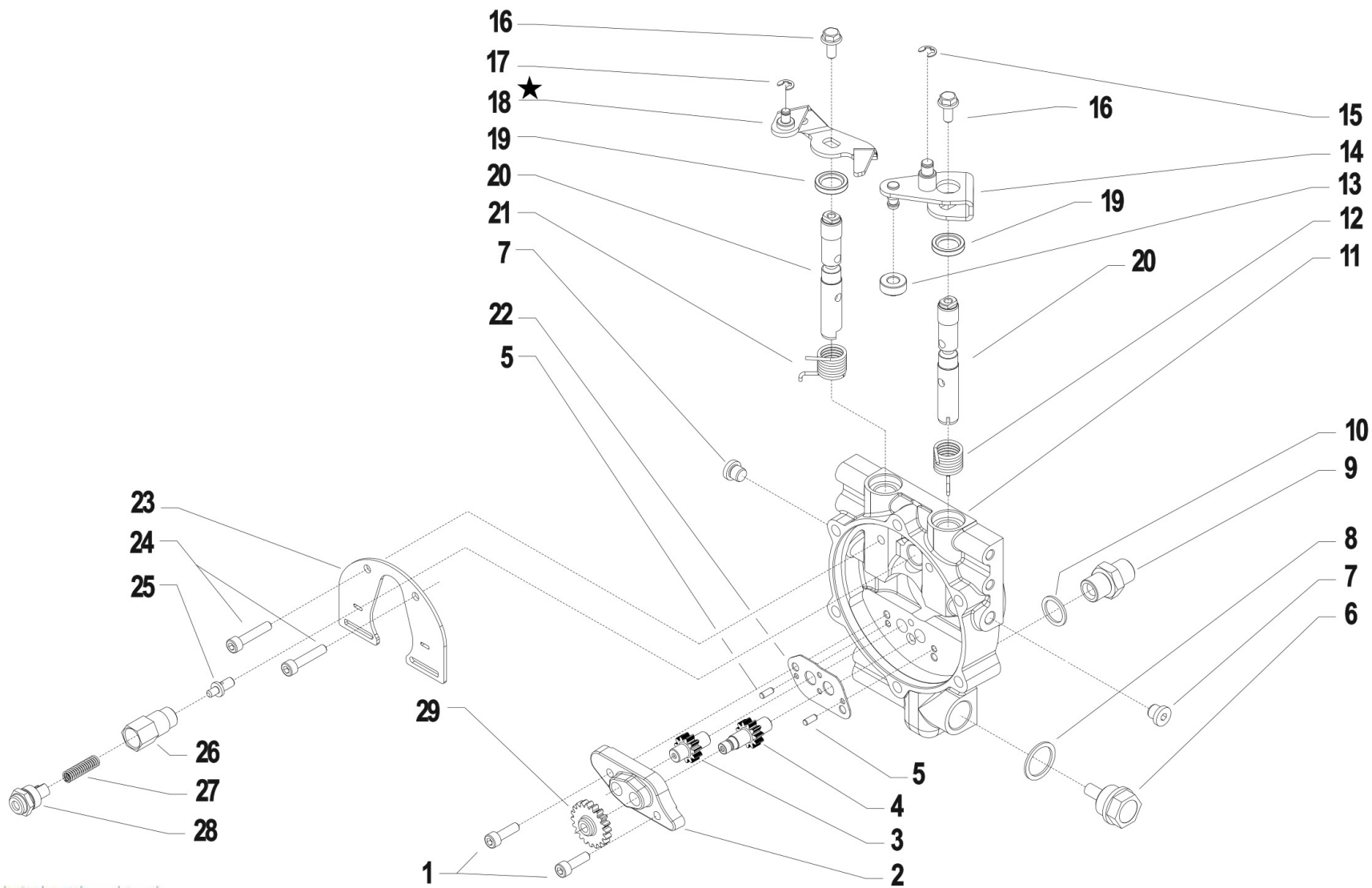
**B.01.01.A0001\_03 - POWERSAFE CLUCH CONTROL**

Pos.	Id	Q.ty	Description	Note
1	31152063	1	SCREW TCEI M6X20 UNI 5931	
2	51156214	1	COVER	
3	52456217	1	DRIVEN GEAR	
4	52456223	1	GEAR	
5	34221040	1	CYLINDRICAL PLUG	
6	58170021	1	PLUG	
7	580C0041	1	PLUG	
8	F0844273090	1	GASKET 22X28X1,5 CU 99,5	
9	30000197	1	NIPPLE	
10	31480184	1	COPPER WASHER 16,7x22/1,5	
11	59256200	1	CLUTCH FLANGE	
12	58056222	1	SPRING	
13	55256228	1	ROLLER	
14	59056225Z	1	CLUTCH LEVER	
15	35211060	1	SEEGER RING E 6 UNI 7434	
16	31112084	1	SCREW TE C/F M6X14 DIN 6921 8G	
17	35211050	1	SEEGER RING E 5 UNI 7434	
18	59056298Z	1	LEVER	Replaces 59056230Z from serial 901289
19	38211400	1	OIL SEAL 14X22X4	
20	52456220	1	DISTRIBUTOR	
21	58056221	1	SPRING	
22	56356661	1	COUNTERWEIGHT	
23	56156224	1	SHIELD	
24	31152060	1	SCREW TCEI M6X30 UNI 5931	
25	56456657	1	VALVE	
26	56156658	1	VALVE INSERT/INLET	
27	58056683	1	SPRING	Replaces 58056192 from serial number 883609
28	56356242	1	PLUG	
29	52456235	1	PUMP GEAR	



BCS Motor mowers, BCS 2-wheel tractors - 630 WS MAX PS ED

**B.01.01.A0001\_03 - POWERSAFE CLUCH CONTROL**



**i** = info - stop 2 sec. = new part



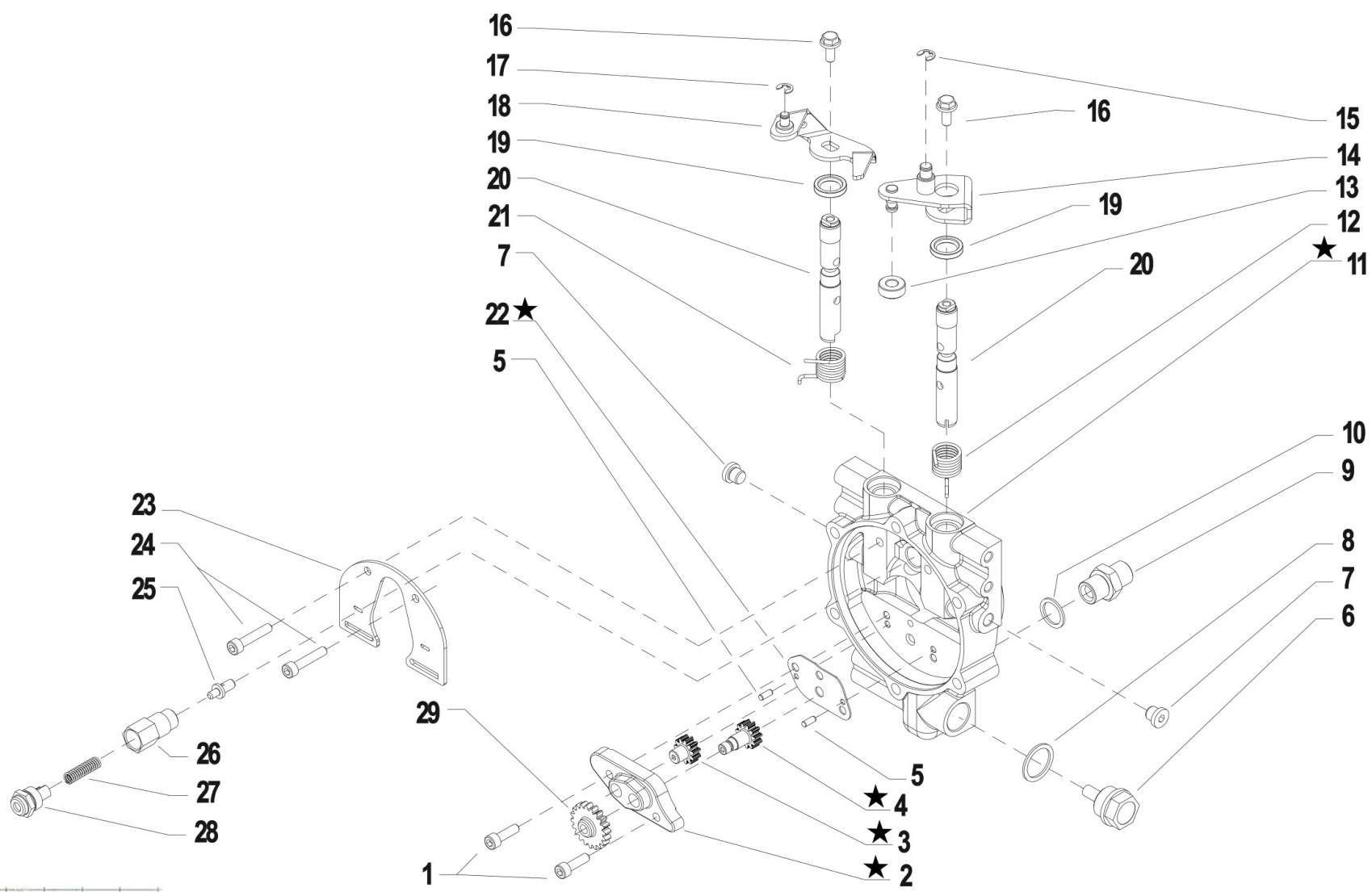
BCS Motor mowers, BCS 2-wheel tractors - 630 WS MAX PS ED

**B.01.01.A0001\_04 - POWERSAFE CLUCH CONTROL**



Pos.	Id	Q.ty	Description	Note
1	31152063		SCREW TCEI M6X20 UNI 5931	
2	51156214		COVER	
3	52456217		DRIVEN GEAR	
4	52456223		GEAR	
5	34221040		CYLINDRICAL PLUG	
6	58170021		PLUG	
7	580C0041		PLUG	
8	F0844273090		GASKET 22X28X1,5 CU 99,5	
9	30000197		NIPPLE	
10	31480184		COPPER WASHER 16,7x22/1,5	
11	59256200		CLUTCH FLANGE	
12	58056222		SPRING	
13	55256228		ROLLER	
14	59056225Z		CLUTCH LEVER	
15	35211060		SEEGER RING E 6 UNI 7434	
16	31112084		SCREW TE C/F M6X14 DIN 6921 8G	
17	35211050		SEEGER RING E 5 UNI 7434	
18	59056748Z		COMPLETE STOP LEVER PS GALV.	REPLACES 58056298Z
19	38211400		OIL SEAL 14X22X4	
20	52456220		DISTRIBUTOR	
21	58056221		SPRING	
22	56356661		COUNTERWEIGHT	
23	56156224		SHIELD	
24	31152060		SCREW TCEI M6X30 UNI 5931	
25	56456657		VALVE	
26	56156658		VALVE INSERT/INLET	
27	58056683		SPRING	Replaces 58056192 from serial number 883609
28	56356242		PLUG	
29	52456235		PUMP GEAR	





i = info - stop 2 sec. ★ = new part

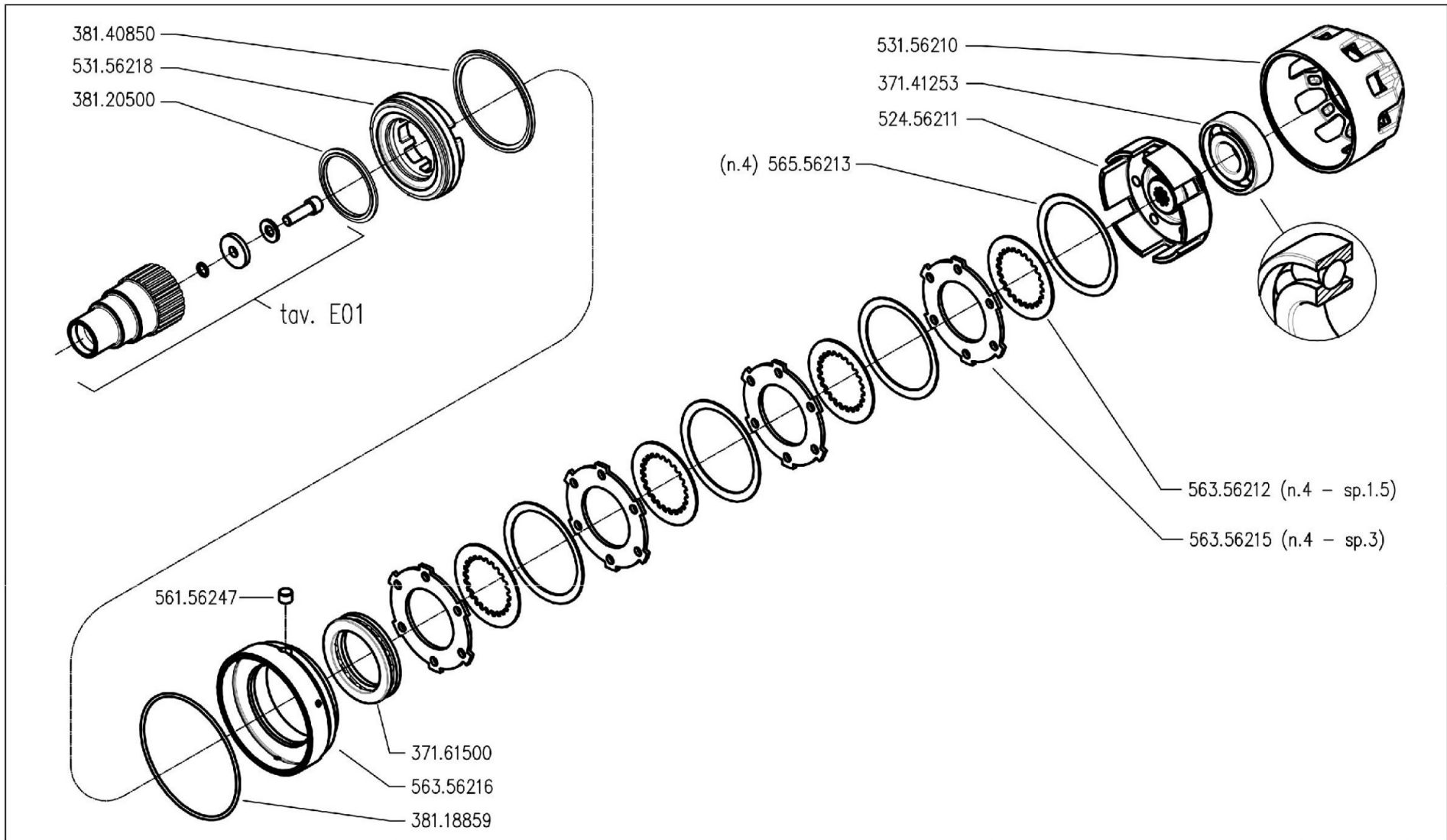


BCS Motor mowers, BCS 2-wheel tractors - 630 WS MAX PS ED

**B.01.01.A0001\_05 - POWERSAFE CLUCH CONTROL**

Pos.	Id	Q.ty	Description	Note
1	31152063		SCREW TCEI M6X20 UNI 5931	
2	56356364		PUMP COVER PS/14	REPLACE 51156214 + 52456217 + 52456223 + 56356661 + 59256200
3	52456371		PUMP GEAR PS/14	REPLACE 51156214 + 52456217 + 52456223 + 56356661 + 59256200
4	52456372		PUMP GEAR	REPLACE 51156214 + 52456217 + 52456223 + 56356661 + 59256200
5	34221040		CYLINDRICAL PLUG	
6	58170021		PLUG	
7	580C0041		PLUG	
8	F0844273090		GASKET 22X28X1,5 CU 99,5	
9	30000197		NIPPLE	
10	31480184		COPPER WASHER 16,7x22/1,5	
11	59256745		POWERSAFE CLUTCH FLANGE	REPLACE 51156214 + 52456217 + 52456223 + 56356661 + 59256200
12	58056222		SPRING	
13	55256228		ROLLER	
14	59056225Z		CLUTCH LEVER	
15	35211060		SEEGER RING E 6 UNI 7434	
16	31112084		SCREW TE C/F M6X14 DIN 6921 8G	
17	35211050		SEEGER RING E 5 UNI 7434	
18	59056748Z		COMPLETE STOP LEVER PS GALV.	
19	38211400		OIL SEAL 14X22X4	
20	52456220		DISTRIBUTOR	
21	58056221		SPRING	
22	56356747		PUMP RECEPTOR PS/14	REPLACE 51156214 + 52456217 + 52456223 + 56356661 + 59256200
23	56156224		SHIELD	
24	31152060		SCREW TCEI M6X30 UNI 5931	
25	56456657		VALVE	
26	56156658		VALVE INSERT/INLET	
27	58056683		SPRING	Replaces 58056192 from serial number 883609
28	56356242		PLUG	
29	52456235		PUMP GEAR	





	<b>700 serie PS</b> <b>PowerSafe®</b>	<b>CILINDRO E FRIZIONE POWERSAFE</b>		DALLA MACCHINA DE LA MAQUINA FROM THE MACHINE AB DER MASCHINE	Rev. <b>C01 0</b>
		CYLINDER AND POWERSAFE CLUTCH CILINDRO Y EMBRAGUE POWERSAFE	CYLINDER ET EMBRAYAGE POWERSAFE ZILINDER UND POWERSAFE KUPPLUNG		

DITE BCS - Scala 1:6



BCS Motor mowers, BCS 2-wheel tractors - 630 WS MAX PS ED

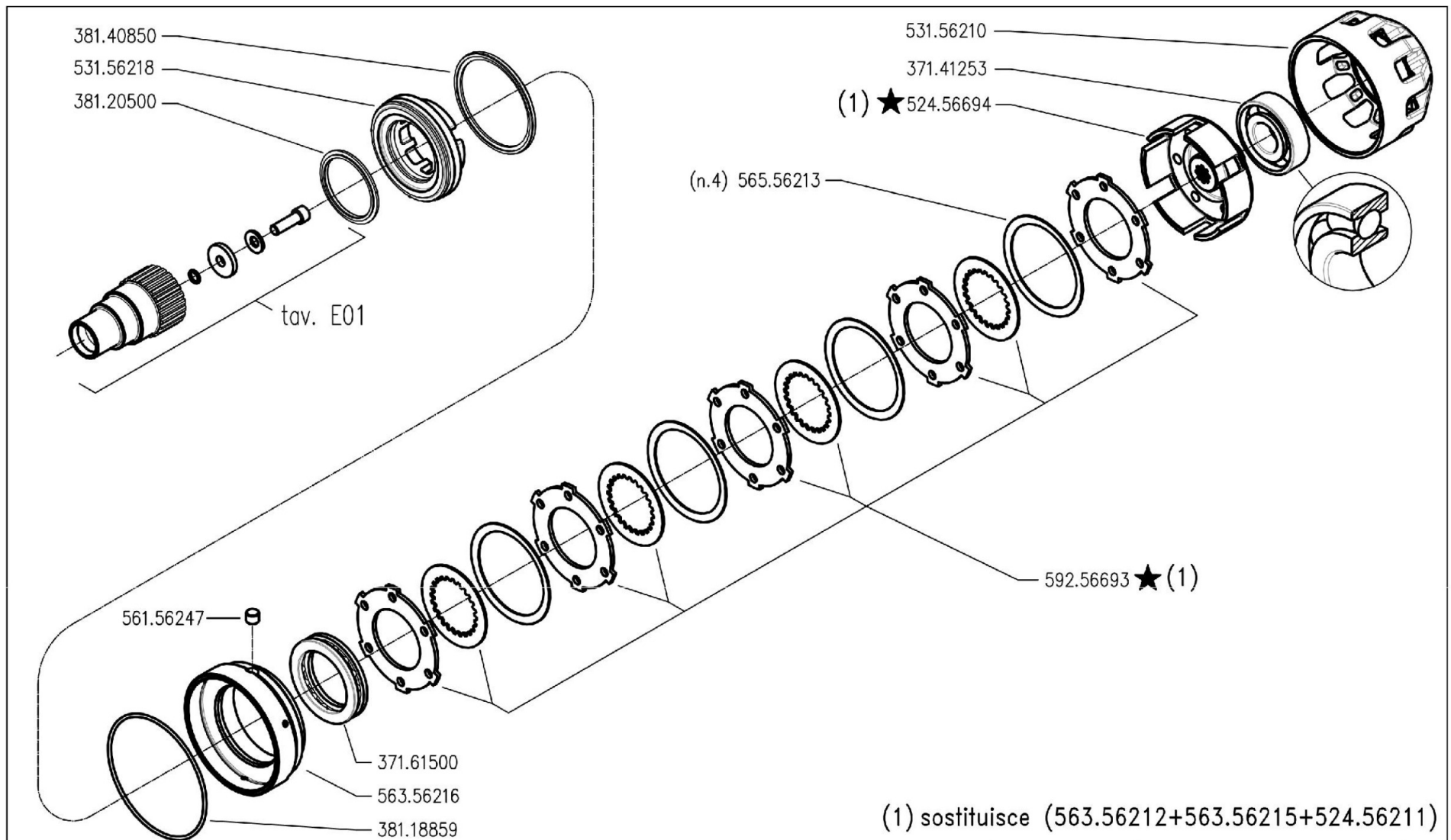
**C01\_0\_116836 - CYLINDER AND POWERSAFE CLUTCH**

Pos.	Id	Q.ty	Description	Note
37141253	37141253	1	BEARING 7305-BJP OBL 25x62x17	
37161500	37161500	1	BEARING 51110 (50X70X14)	
38118859	38118859	1	O-RING OR 3375 (94,92X2,62)	
38120500	38120500	1	RING I/GR-L 0500-A POLYPAC	
38140850	38140850	1	RING E/GR-L 0850-A POLYPAC	
52456211	52456211	1	CLUTCH HOUSING	
53156210	53156210	1	SUMP	
53156218	53156218	1	PISTON	
56156247	56156247	1	PIN	
56356212	56356212	1	DISC	
56356215	56356215	1	DISC	
56356216	56356216	1	RING	
56556213	56556213	1	SPRING	



BCS Motor mowers, BCS 2-wheel tractors - 630 WS MAX PS ED

**C01\_0\_116836 - CYLINDER AND POWERSAFE CLUTCH**



	<b>700 serie PS</b> <b>PowerSafe®</b>	<b>CILINDRO E FRIZIONE POWERSAFE</b>		DALLA MACCHINA DE LA MAQUINA FROM THE MACHINE AB DER MASCHINE	C01	Rev. 1
		CYLINDER AND POWERSAFE CLUTCH CILINDRO Y EMBRAGUE POWERSAFE	CYLINDER ET EMBRAYAGE POWERSAFE ZILINDER UND POWERSAFE KUPPLUNG			
				(1) sostituisce (563.56212+563.56215+524.56211)	852604	DATE: BCS - Scala 1:6



BCS Motor mowers, BCS 2-wheel tractors - 630 WS MAX PS ED

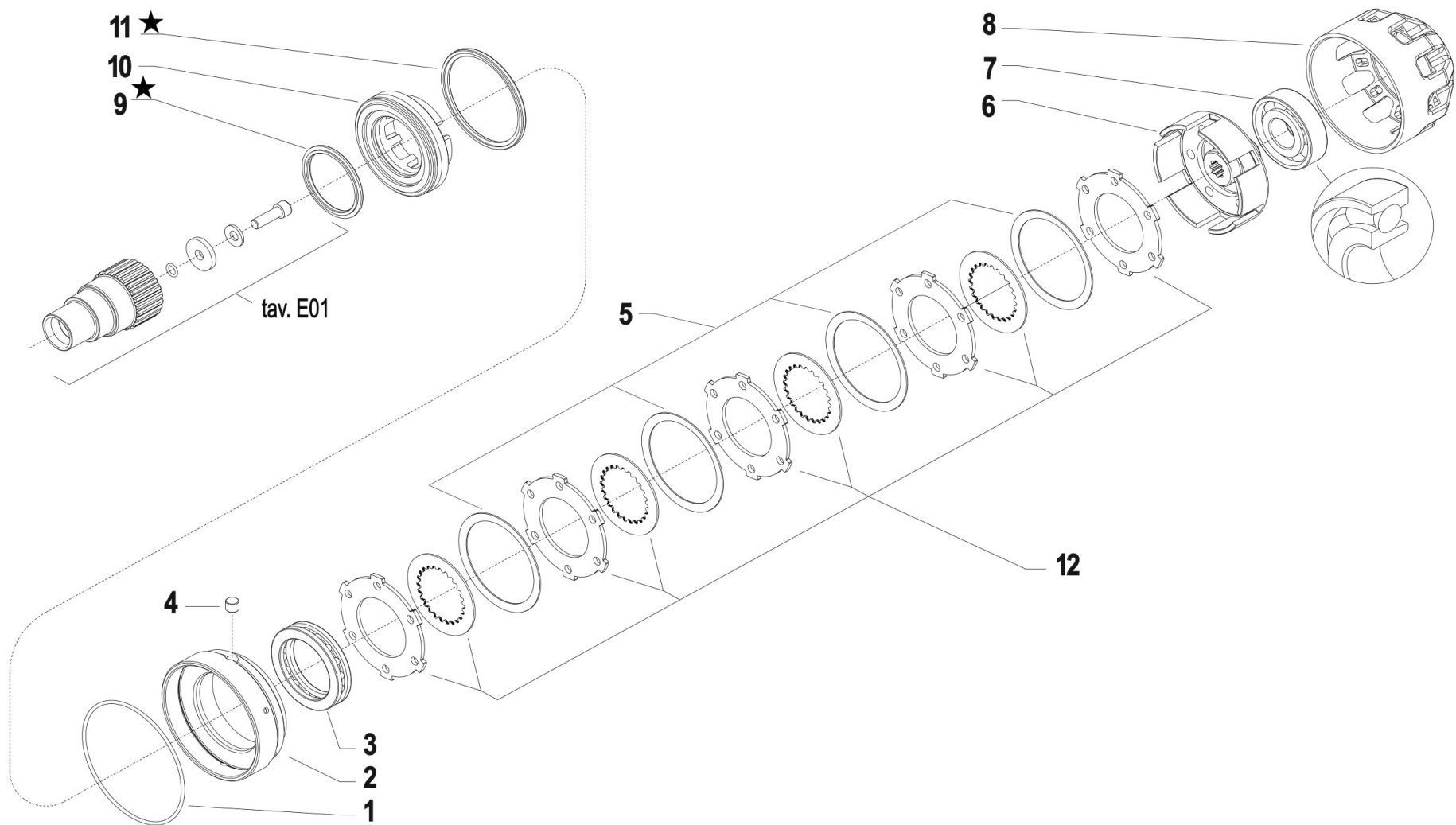
**C01\_1\_125029 - CYLINDER AND POWERSAFE CLUTCH**

Pos.	Id	Q.ty	Description	Note
37141253	37141253	1	BEARING 7305-BJP OBL 25x62x17	
37161500	37161500	1	BEARING 51110 (50X70X14)	
38118859	38118859	1	O-RING OR 3375 (94,92X2,62)	
38120500	38120500	1	RING I/GR-L 0500-A POLYPAC	
38140850	38140850	1	RING E/GR-L 0850-A POLYPAC	
52456694	52456694	1	CLUTCH HOUSING	
53156210	53156210	1	SUMP	
53156218	53156218	1	PISTON	
56156247	56156247	1	PIN	
56356216	56356216	1	RING	
56556213	56556213	1	SPRING	
59256693	59256693	1	9 DISC CLUTCH	



BCS Motor mowers, BCS 2-wheel tractors - 630 WS MAX PS ED

**C01\_1\_125029 - CYLINDER AND POWERSAFE CLUTCH**



**i** = info - stop 2 sec. ★ = new part



BCS Motor mowers, BCS 2-wheel tractors - 630 WS MAX PS ED

**C.01.01.A0001\_02 - CYLINDER AND POWERSAFE CLUTCH**

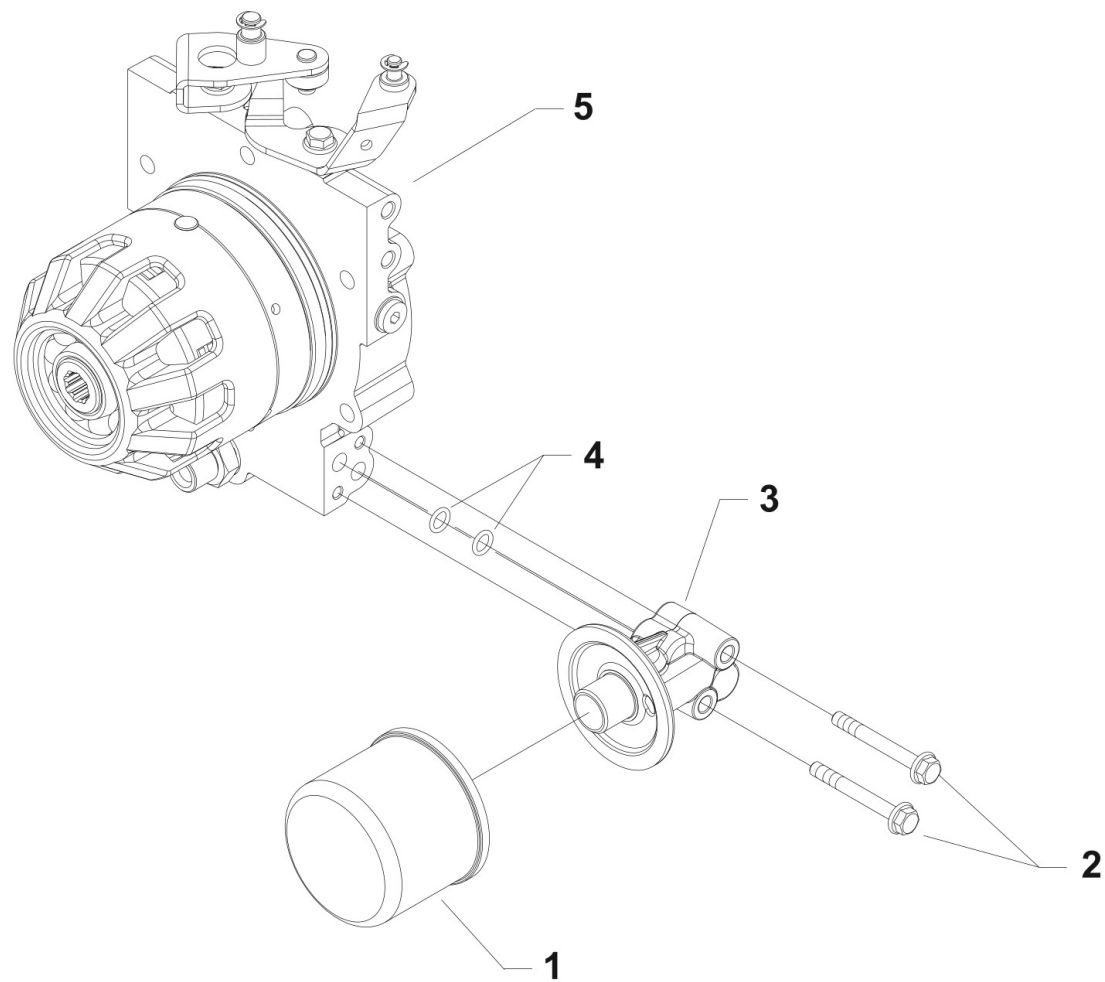


Pos.	Id	Q.ty	Description	Note
1	38118859		O-RING OR 3375 (94,92X2,62)	
2	56356216		RING	
3	37161500		BEARING 51110 (50X70X14)	
4	56156247		PIN	
5	56556213		SPRING	n. 4
6	52456694		CLUTCH HOUSING	Replaces 56356212 + 56356215 + 52456211
7	37141253		BEARING 7305-BJP OBL 25x62x17	
8	53156210		SUMP	
9	38120501		RING PTFE PRP 01A02-0500-A-32	REPLACE 38120500 + 38140850
10	53156218		PISTON	
11	38140851		RING PTFE PRP02A02-0850-A-32-N	REPLACE 38120500 + 38140850
12	59256693		9 DISC CLUTCH	Replaces 56356212 + 56356215 + 52456211



BCS Motor mowers, BCS 2-wheel tractors - 630 WS MAX PS ED

**C.01.01.A0001\_02 - CYLINDER AND POWERSAFE CLUTCH**

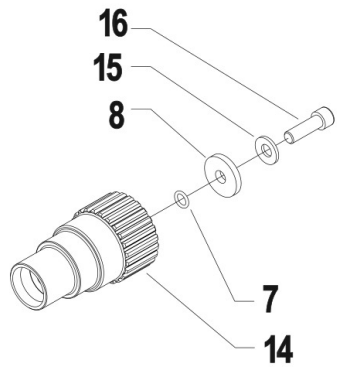


BCS Motor mowers, BCS 2-wheel tractors - 630 WS MAX PS ED

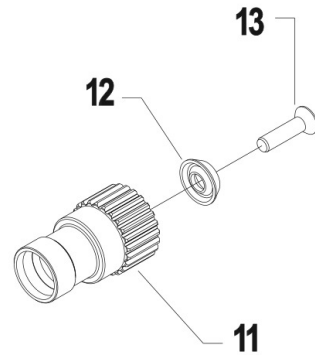
**D.01.01.A0001\_02 - POWERSAFE FILTER AND UNIT**

Pos.	Id	Q.ty	Description	Note
1	58056208	1	HYDRAULIC OIL FILTER	
2	31112099	1	SCREW TE C/F M6X50 DIN 6921 8G	
3	53156209	1	CONNECTION	
3	53156659	1	CONNECTION	Powersafe EasyDrive
4	38110873	1	O-RING 108 (8,73X1,78)	
5	59256035	1	POWERSAFE CLUTCH ASSY Q19	For motors GX160/200
5	59256036	1	POWERSAFE CLUTCH	For motors GX240/270-EX21
5	59256037	1	CLUTCH FOR POWERSAFE Q25.4 (3/8)	For motors GX340/390
5	59256038	1	POWERSAFE CLUTCH	For motors 15LD350/440-L70/100
5	59256039	1	POWERSAFE CLUTCH ASSY	For motors 15LD500/3LD510

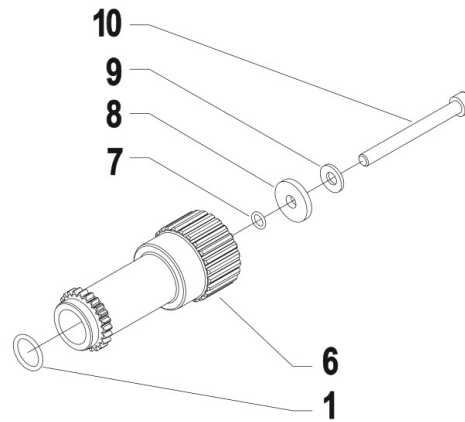




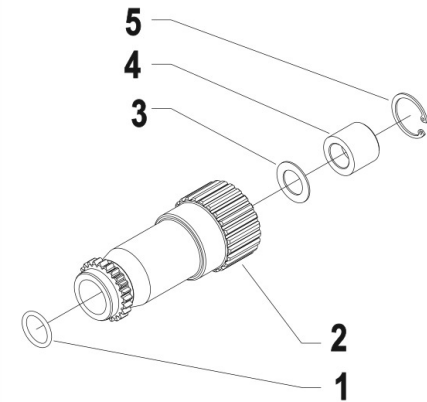
GX 160-200



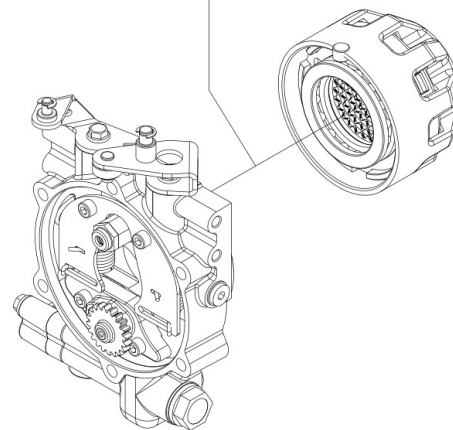
GX 240-270-340-390-EX35



15LD350-440 - L70-100



15LD500 - 3LD510

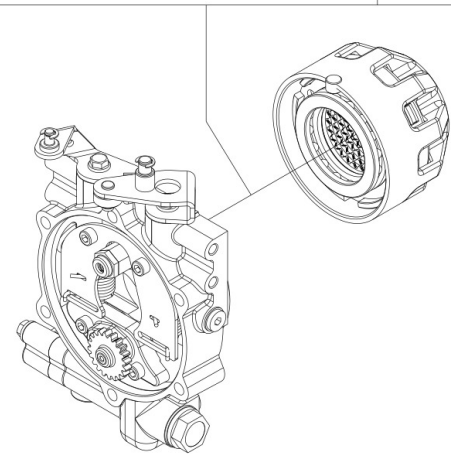
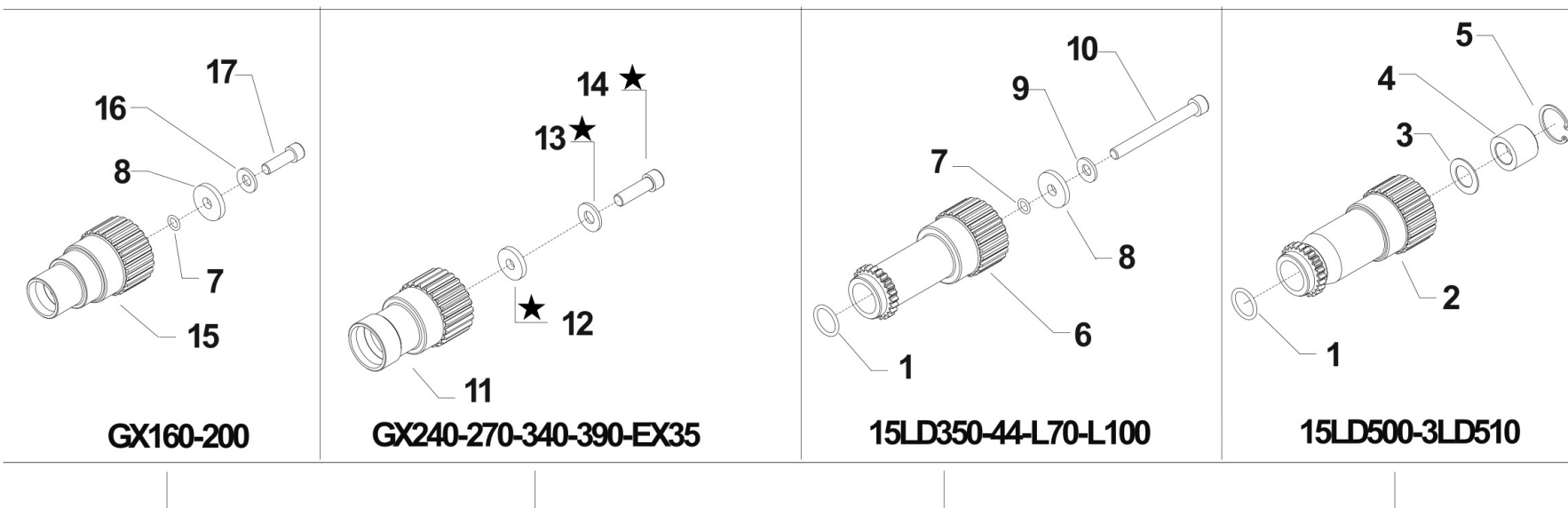


Pos.	Id	Q.ty	Description	Note
1	38111872	1	O-RING 3075 (18,72x2,62)	
2	52456243	1	HUB	
3	56347873	1	WASHER	
4	56347870Z	1	SPECIAL NUT	
5	35111029	1	SEEGER RING I 28 UNI 7437	
6	52456245	1	HUB	
7	38110675	1	O-RING 106 (6,75X1,78)	
8	56156288Z	1	SPECIAL WASHER SP.4	
9	31421083	1	WASHER	
10	31152090	1	SCREW TCEI M8x80 UNI5931	
11	52456233	1	HUB Q25	
12	56556282	1	WASHER D.25,4	
13	31100029	1	SCREW TSVEI 7/16-20X1 1/2 UNF8G	For engines GX240/GX270
13	31100031	1	SCREW TSVEI 3/8-24X1 1/2 UNF 8G	For motors GX340/GX390/EX35
14	52456234	1	HUB Q19	
15	31421083	1	WASHER	
16	31100023	1	SCREW 5/16-24 X 1 UNF 8G	



BCS Motor mowers, BCS 2-wheel tractors - 630 WS MAX PS ED

**E.01.05.A0005\_02 - POWERSAFE CLUTCH HUB**







**i = info - stop 2 sec.**

**★ = new part**

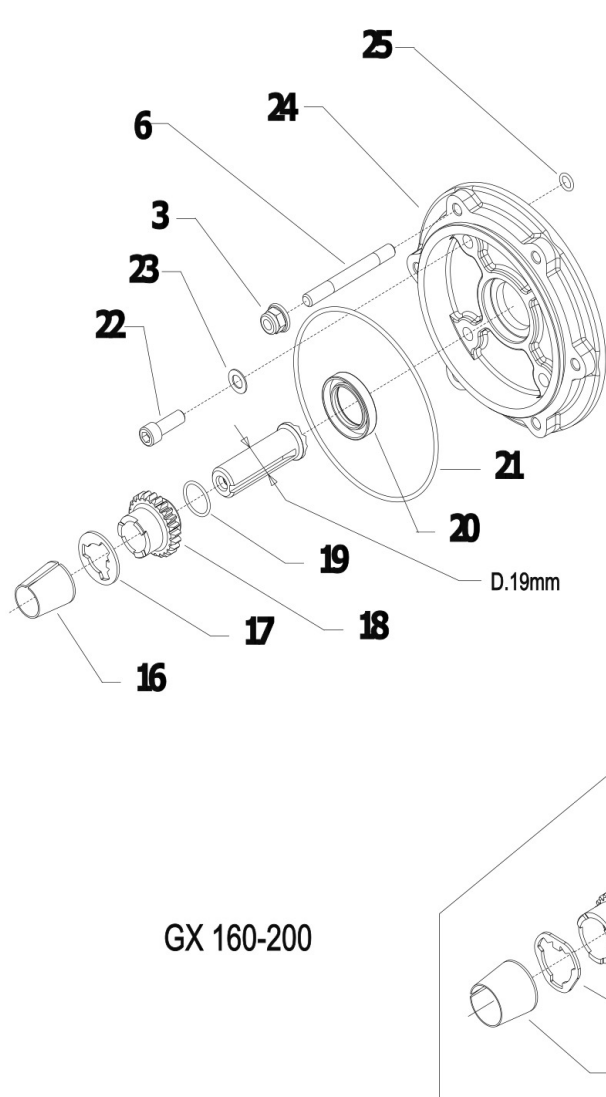


Pos.	Id	Q.ty	Description	Note
1	38111872		O-RING 3075 (18,72x2,62)	
2	52456243		HUB	
3	56347873		WASHER	
4	56347870Z		SPECIAL NUT	
5	35111029		SEEGER RING I 28 UNI 7437	
6	52456245		HUB	
7	38110675		O-RING 106 (6,75X1,78)	
8	56156288Z		SPECIAL WASHER SP.4	
9	31421083		WASHER	
10	31152090		SCREW TCEI M8x80 UNI5931	
11	52456233		HUB Q25	
12	56156743		WASHER 30X11.5X3	GX240-270/REPLACE 31100029+31100031+56556282
12	561C0421		WASHER	GX340-390/REPLACE 31100029+31100031+56556282
13	31421101		WASHER 10 DIN 679	GX340-390
13	31421130		WASHER	GX240-270
14	31100032		SCREW TCCEI 7/16-20 X 1-1/2	GX240-270/REPLACE 31100029+31100031+56556282
14	31100033		SCREW TCCEI 3/8-24 X 1-1/2	GX340-390/REPLACE 31100029+31100031+56556282
15	52456234		HUB Q19	
16	31421083		WASHER	
17	31100023		SCREW 5/16-24 X 1 UNF 8G	

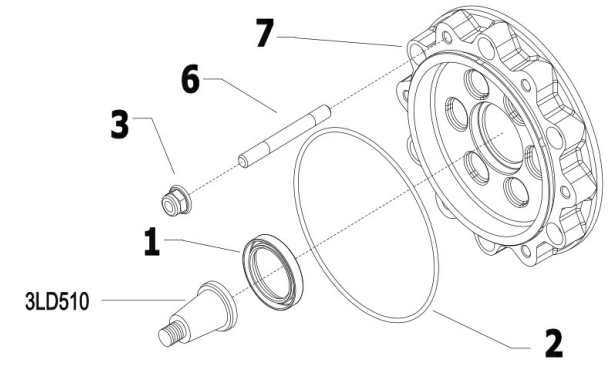


BCS Motor mowers, BCS 2-wheel tractors - 630 WS MAX PS ED

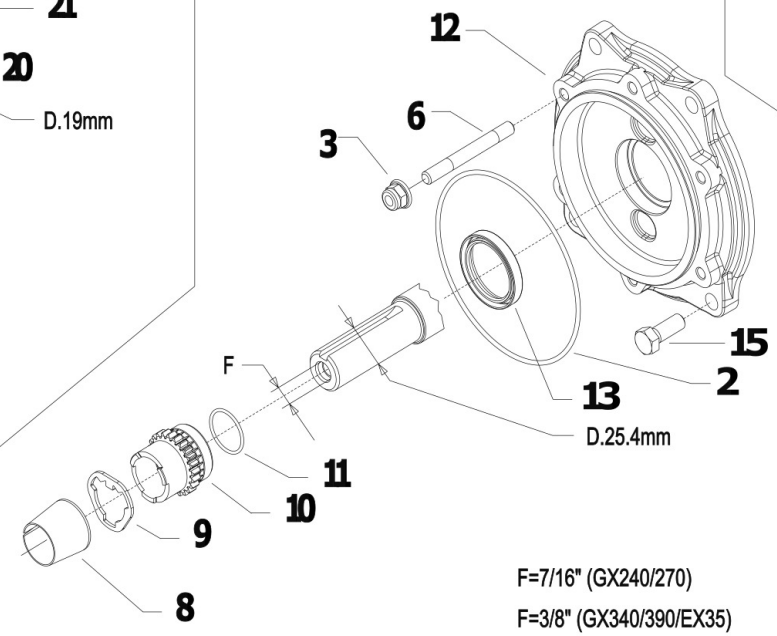
**E.01.05.A0005\_03 - POWERSAFE CLUTCH HUB**



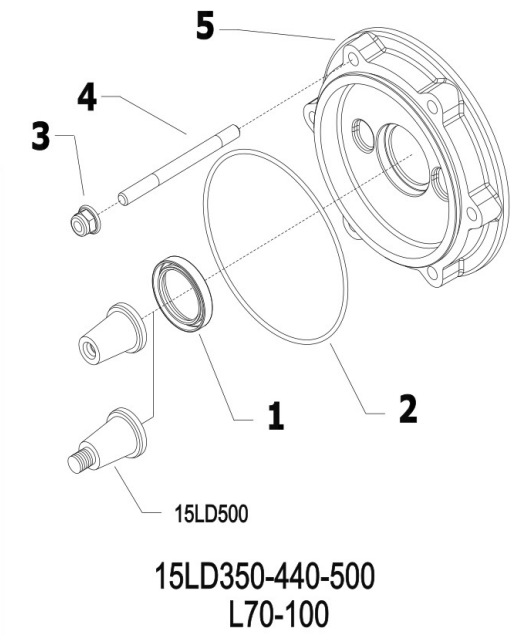
3LD510



GX 240-270-340-390-EX35



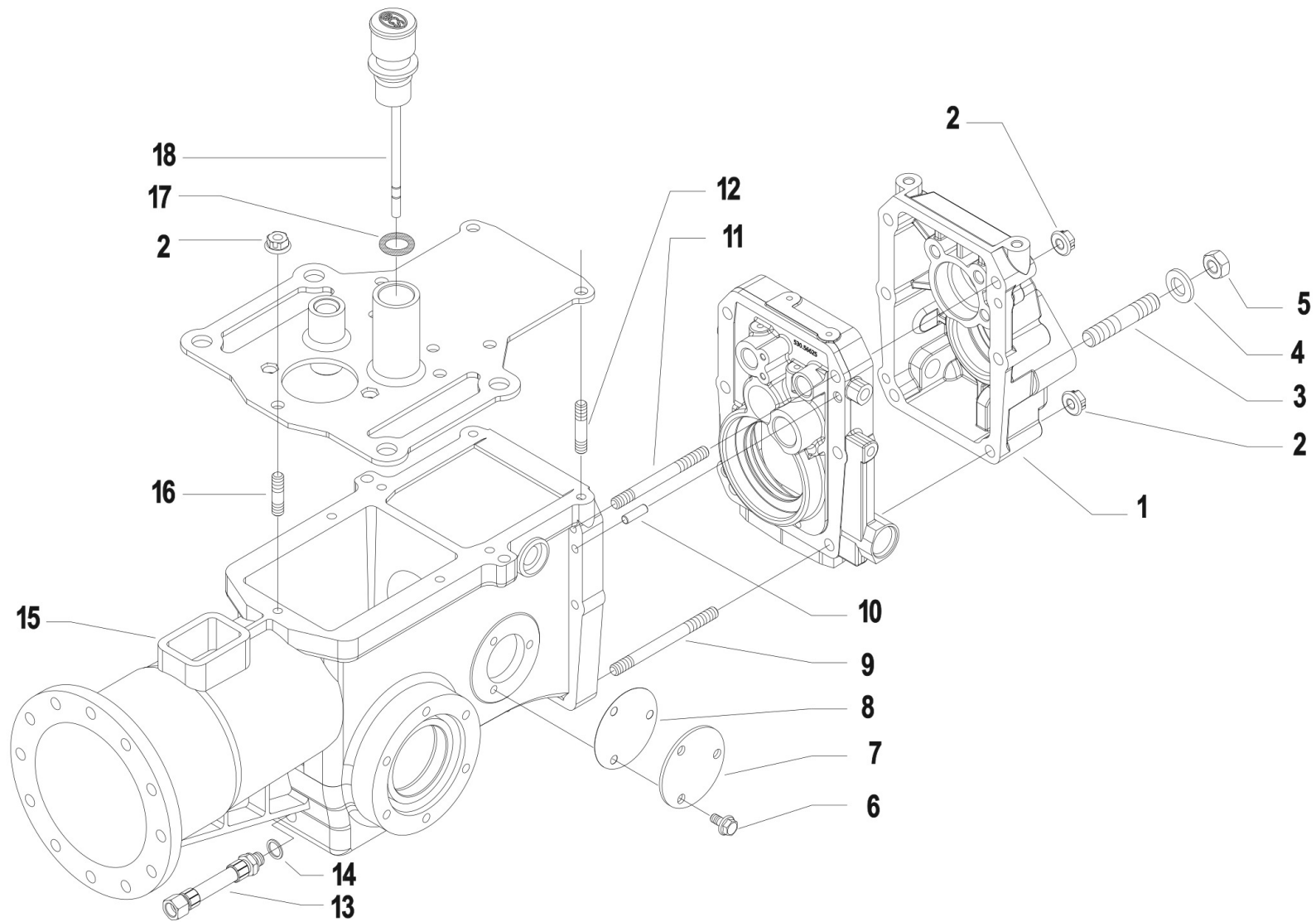
F=7/16" (GX240/270)  
F=3/8" (GX340/390/EX35)





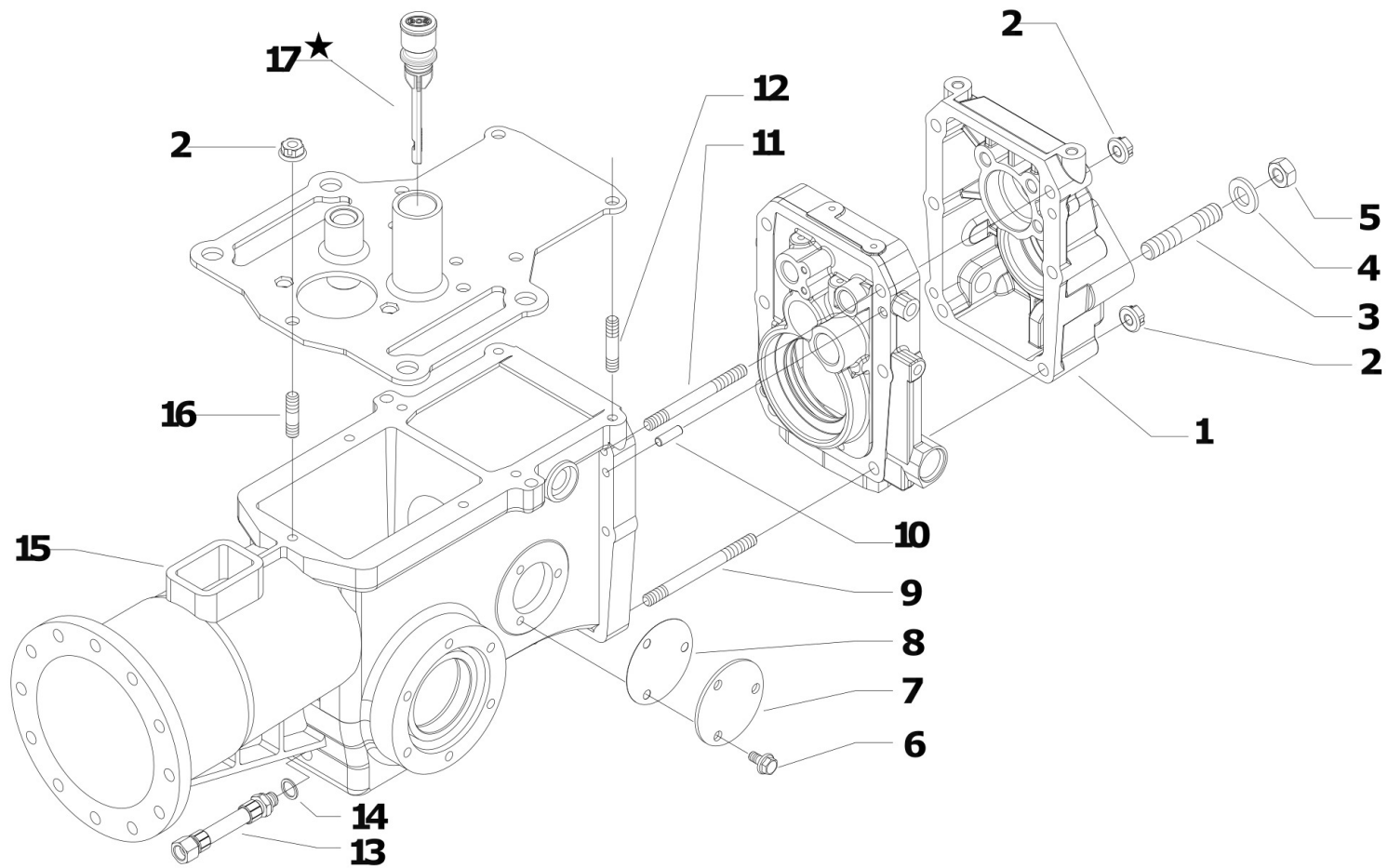
Pos.	Id	Q.ty	Description	Note
1	38213202	1	OIL SEAL 32X45X7	
2	38119823	1	O-RING 3450 (113,97x2,62)	
3	31241083	1	SELFLOCK NUT M8	
4	31312097	1	STUD BOLT M8X98X16X28 8G	
5	53156207	1	ENGINE FLANGE	
6	31312073	1	STUD BOLT M8X73X14X20 8G	
7	532C0055	1	ACT ENGINE FLANGE	
8	56156281	1	CENTRING BUSH D.25,4	
9	56356239	1	FEEDER Q25	
10	52456236	1	PUMP GEAR	
10	52456352	1	PUMP GEAR	EX35
11	F0803075500	1	O-RING 2100 (25,12X1,78)	
12	53156205	1	ENGINE FLANGE Q25	
13	38213500	1	OIL SEAL 35X47X7	
14	38119823	1	O-RING 3450 (113,97x2,62)	
15	31100015	1	SCREW TE 3/8X1	
16	56156276	1	SLEEVE D.19	
17	56356240	1	TRANSMISSION	
18	52456237	1	PUMP GEAR	
19	F0803067000	1	O-RING 2075 (18,77X1,78)	
20	38212500	1	OIL SEAL 25X40X7	
21	38119823	1	O-RING 3450 (113,97x2,62)	
22	31104022	1	SCREW TCEI 5/16X7/8 UNF 12K	
23	31423084	1	SPRING WASHER 8,4	
24	53156206	1	ENGINE FLANGE Q19	
25	38110873	1	O-RING 108 (8,73X1,78)	





Pos.	Id	Q.ty	Description	Note
1	53156332	1	REAR COVER	For the model BCS
1	53156407	1	REAR COVER	For the model Reform
2	31241084	1	SELFLOCK NUT M8 6S	
3	31312125	1	STUD BOLT 64XM12X1,25X26XM12X30 8G	
4	31421132	1	WASHER 13X24X2,8	
5	31221121	1	NUT M12X1,25	
6	31112083	1	SCREW M6X12	
7	56147520Z	1	COVER	
8	58056447	1	GASKET	
9	31312097	1	STUD BOLT M8X98X16X28 8G	
10	58043053	1	CYLINDRICAL PLUG	
11	31312090	1	STUD BOLT M8X88X16X28 8G	
12	31312088	1	STUD BOLT M8X40X14X14	
13	59056244	1	SUCTION PIPE	
14	31480184	1	COPPER WASHER 16,7x22/1,5	
15	53156202A	1	BOX CASING	For the model Reform
15	53156202B	1	BOX CASING	For the BCS model
16	31312078	1	STUD BOLT M8X32X14X14	
17	55102678	1	RUBBER RING	
18	59015425	1	PLUG	





[Click for info](#)

★ = new part

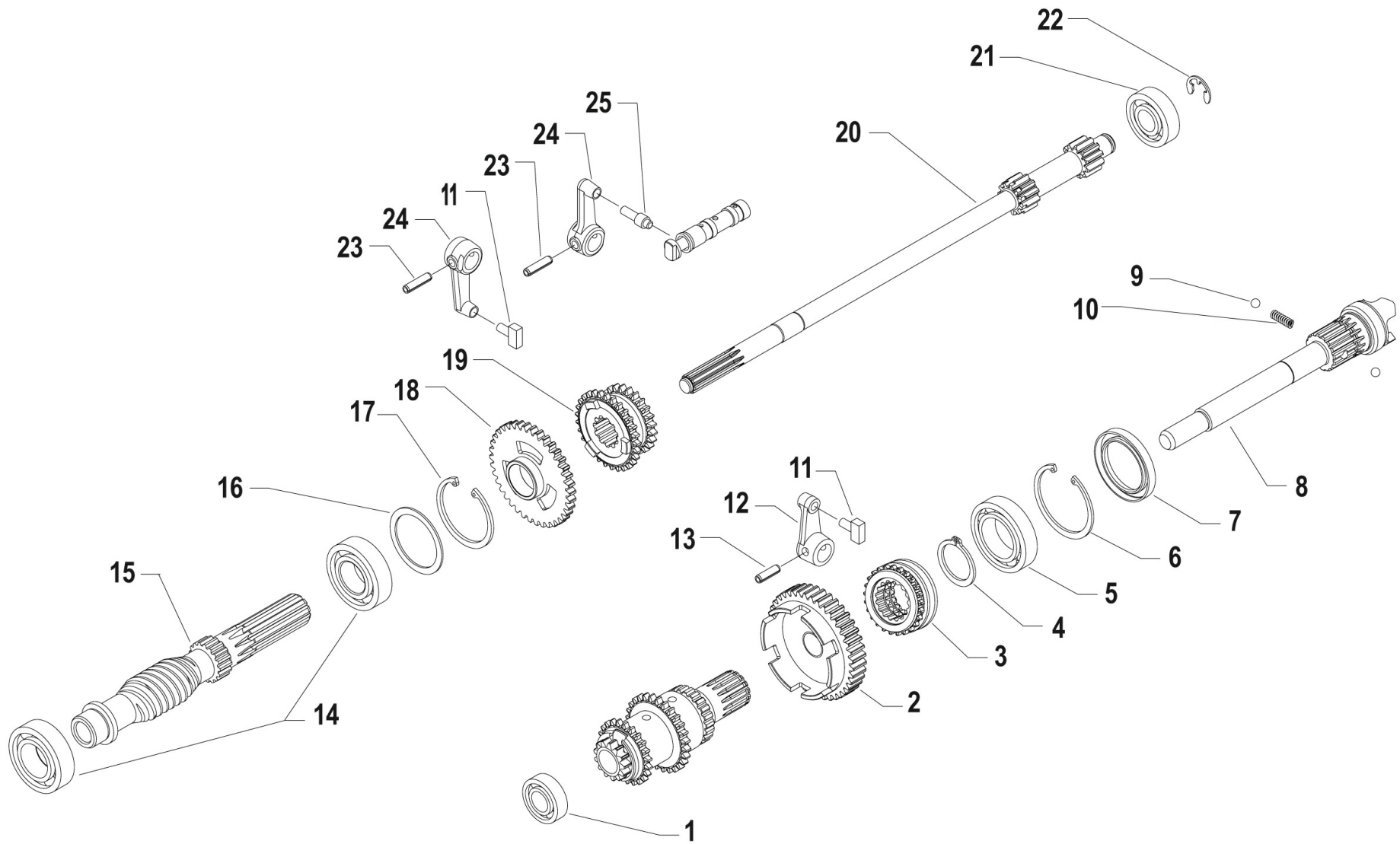


BCS Motor mowers, BCS 2-wheel tractors - 630 WS MAX PS ED

G.02.05.A0005\_01 - GEARBOX

Pos.	Id	Q.ty	Description	Note
1	53156332	1	REAR COVER	For the model BCS
1	53156407	1	REAR COVER	For the model Reform
2	31241084	1	SELFLOCK NUT M8 6S	
3	31312125	1	STUD BOLT 64XM12X1,25X26XM12X30 8G	
4	31421132	1	WASHER 13X24X2,8	
5	31221121	1	NUT M12X1,25	
6	31112083	1	SCREW M6X12	
7	56147520Z	1	COVER	
8	58056447	1	GASKET	
9	31312097	1	STUD BOLT M8X98X16X28 8G	
10	58043053	1	CYLINDRICAL PLUG	
11	31312090	1	STUD BOLT M8X88X16X28 8G	
12	31312088	1	STUD BOLT M8X40X14X14	
13	59056244	1	SUCTION PIPE	
14	31480184	1	COPPER WASHER 16,7x22/1,5	
15	53156202A	1	BOX CASING	For the model Reform
15	53156202B	1	BOX CASING	For the BCS model
16	31312078	1	STUD BOLT M8X32X14X14	
17	592C1825	1	COMPLETE OIL CAP L	REPLACES 59015425



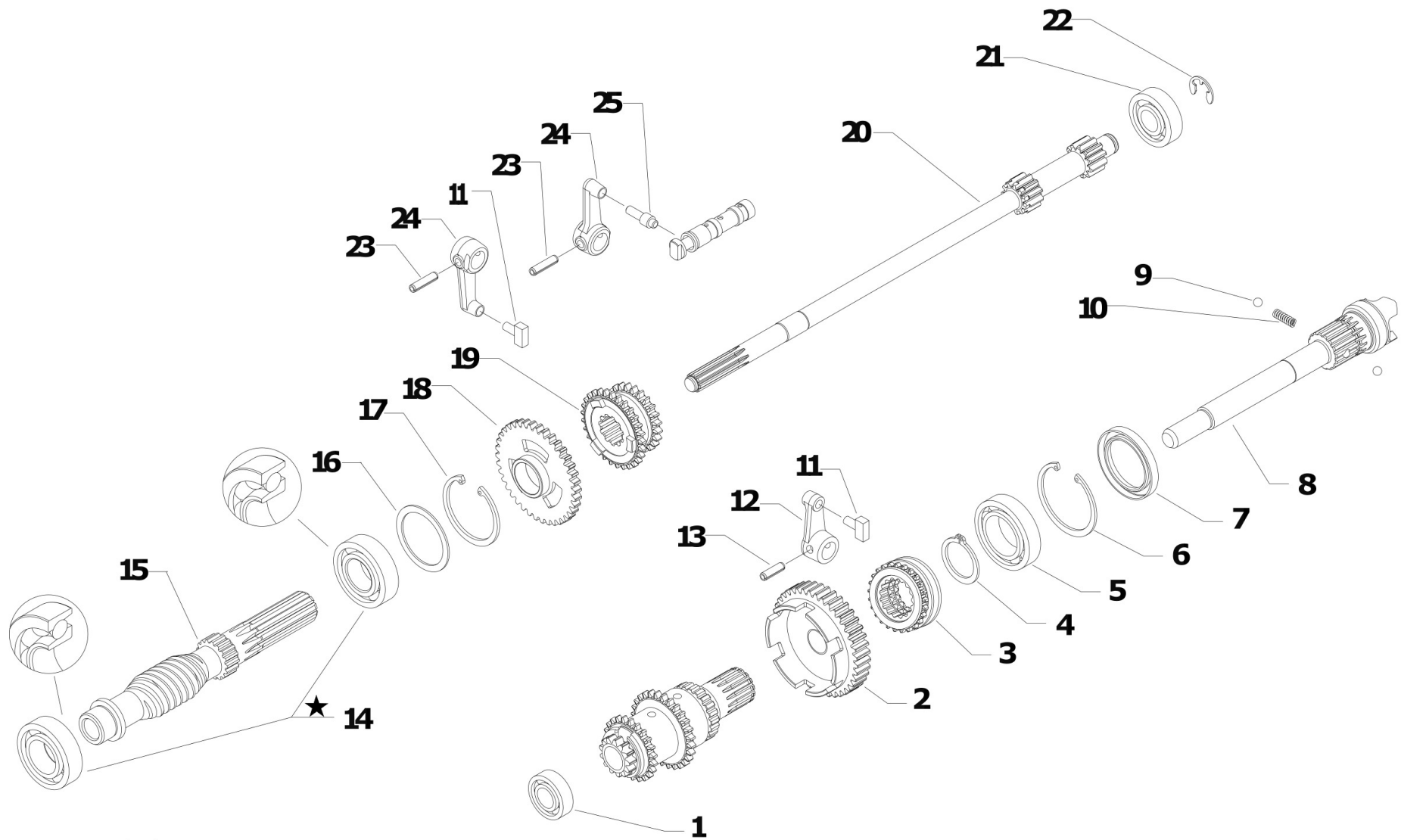


BCS Motor mowers, BCS 2-wheel tractors - 630 WS MAX PS ED

H.02.05.A0005\_00 - GEARS

Pos.	Id	Q.ty	Description	Note
1	37111151	1	BEARING 6202 (15X35X11)	
2	59056712	1	PTO GEAR	
3	52456706	1	PTO COUPLING	
4	35121031	1	SEEGER RING E 30 UNI 7436	
5	37112229	1	BEARING 6006 (30X55X13) SKF	
6	35111055	1	SEEGER RING I 55 DIN 472	
7	38213800	1	OIL SEAL 38X55X7	
8	52456620	1	PTO SHAFT	
9	37910832	1	BALL 1/4	
10	58056391	1	SPRING	
11	58043086	1	SHOE	
12	52456390	1	LEVER	
13	34213061	1	ROLL PIN	
14	37111255	1	BEARING 6205 (25X52X15)	
15	56456314	1	SPECIAL SCREW 4 PR ED	
16	56356328	1	ADJUSTING RING SP=1,5	
16	56356329	1	ADJUSTING RING SP=1,6	
16	56356330	1	ADJUSTING RING SP=1,7	
16	56356331	1	ADJUSTING RING SP=1,8	
17	35111053	1	SEEGER RING I 52 UNI 7438	
18	52456354	1	GEAR	
19	52456360	1	SLIDER	
20	52456626	1	OUTPUT SHAFT	
21	37111152	1	BEARING 6302 (15X42X13) SKF	
22	35211120	1	SEEGER RING E 12 UNI 7434	
23	34213060	1	ROLL PIN	
24	52456389	1	LEVER	
25	56456669	1	PIN	





 [Click for info](#)

★ = new part



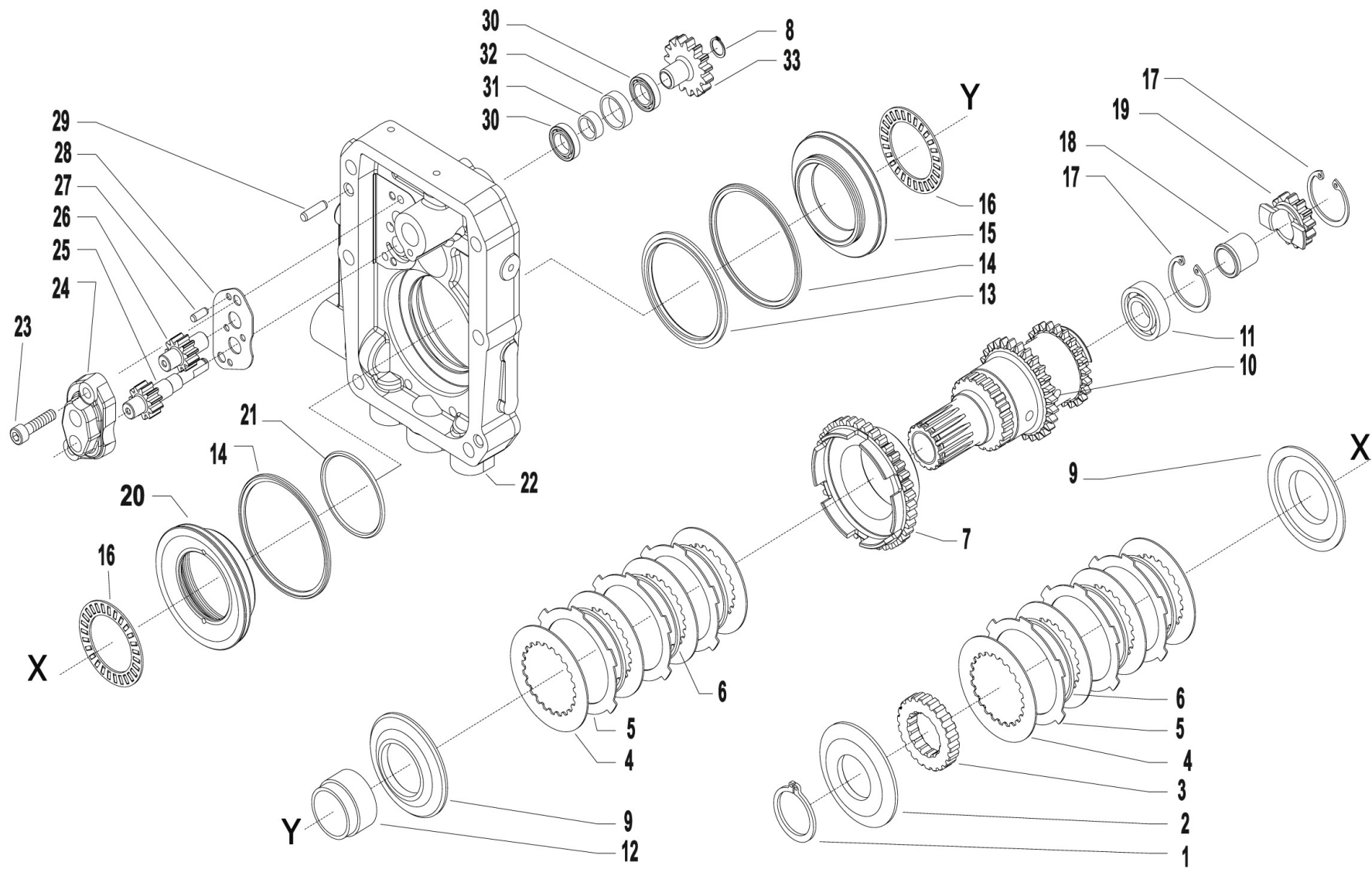
BCS Motor mowers, BCS 2-wheel tractors - 630 WS MAX PS ED

H.02.05.A0005\_01 - GEARS



Pos.	Id	Q.ty	Description	Note
1	37111151	1	BEARING 6202 (15X35X11)	
2	59056712	1	PTO GEAR	
3	52456706	1	PTO COUPLING	
4	35121031	1	SEEGER RING E 30 UNI 7436	
5	37112229	1	BEARING 6006 (30X55X13) SKF	
6	35111055	1	SEEGER RING I 55 DIN 472	
7	38213800	1	OIL SEAL 38X55X7	
8	52456620	1	PTO SHAFT	
9	37910832	1	BALL 1/4	
10	58056391	1	SPRING	
11	58043086	1	SHOE	
12	52456390	1	LEVER	
13	34213061	1	ROLL PIN	
14	37141250	1	BEARING 7205-B OBL SKF	REPLACES 37111255
15	56456314	1	SPECIAL SCREW 4 PR ED	
16	56356328	1	ADJUSTING RING SP=1,5	
16	56356329	1	ADJUSTING RING SP=1,6	
16	56356330	1	ADJUSTING RING SP=1,7	
16	56356331	1	ADJUSTING RING SP=1,8	
17	35111053	1	SEEGER RING I 52 UNI 7438	
18	52456354	1	GEAR	
19	52456360	1	SLIDER	
20	52456626	1	OUTPUT SHAFT	
21	37111152	1	BEARING 6302 (15X42X13) SKF	
22	35211120	1	SEEGER RING E 12 UNI 7434	
23	34213060	1	ROLL PIN	
24	52456389	1	LEVER	
25	56456669	1	PIN	



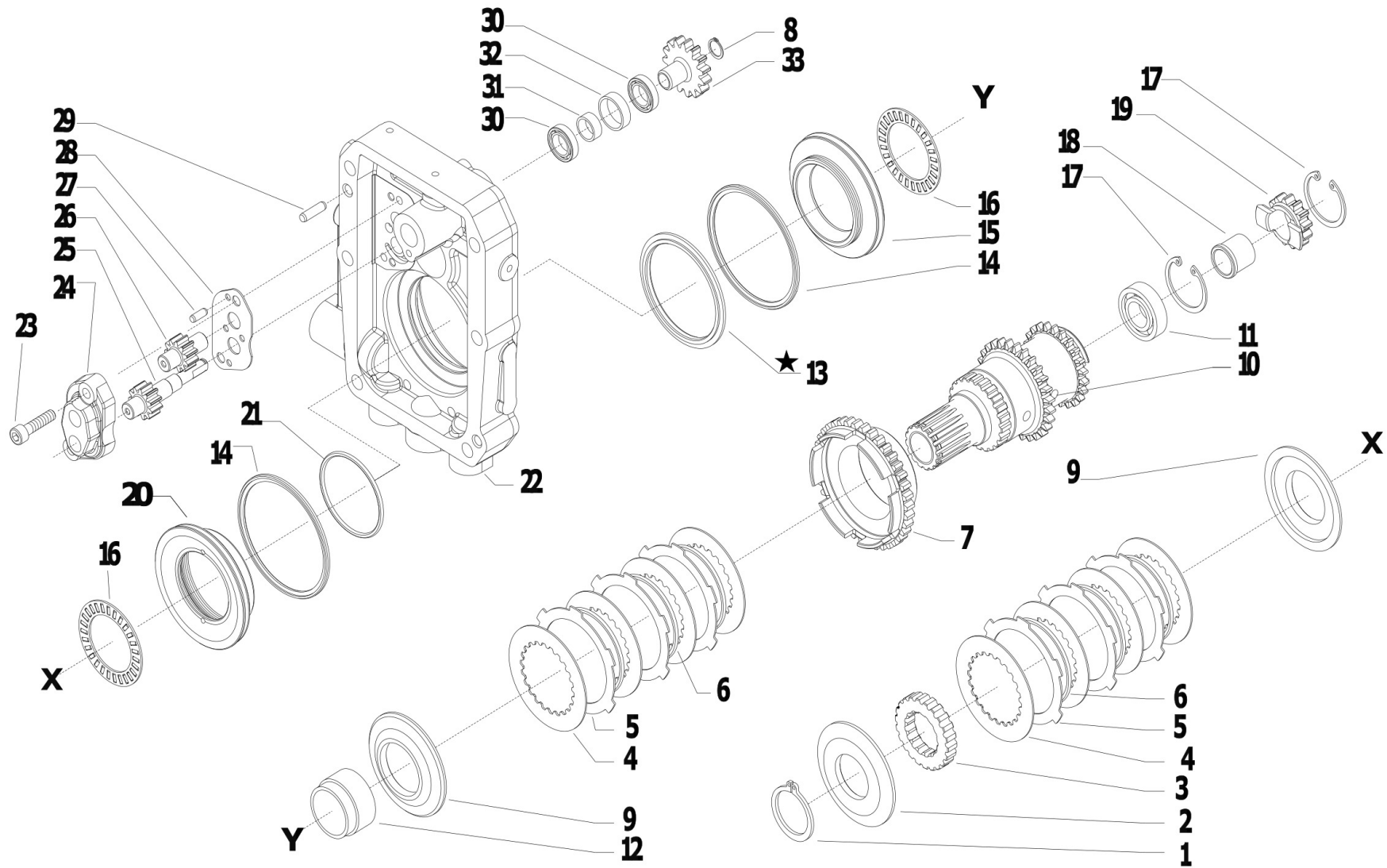


Pos.	Id	Q.ty	Description	Note
1	35122028	1	SEEGER RING E 28 UNI 7436	
2	56156803	1	WASHER	
3	56456640	1	HUB	
4	56356642	1	DISC	
5	56356641	1	DISC	
6	56556682	1	SPRING	
7	52456427	1	GEAR	
8	35120007	1	SEEGER RING E 7 DIN 471	
9	52456677	1	PRESSURE PLATE	
10	59056619	1	COUNTERSHAFT	
11	37121150	1	BEARING 4202 ATN9 (15X35X14)SKF	
12	56156647	1	SPACER	
13	38120580	1	RING I/GR-L 0580-A POLYPAC	
14	38140750	1	RING TEF.E/GR-L 0750-A POLYPAC	
15	52456676	1	PISTON	Use key 58056680
16	37341350	1	BEARINGAXK 3552 (35X52X2)	
17	35111035	1	SEEGER RING I 35 DIN 472	
18	57156652	1	END BEARING	
19	52456802	1	FIRST GEAR ED	
20	52456675	1	PISTON	Use key 58056680
21	38114569	1	O-RING 3181 (45,69X2,62)	
22	59256800	1	FLANGE	
23	31152064	1	SCREW TCEI M6X25 UNI 5931	
24	51156631	1	COVER	
25	52456633	1	GEAR	
26	52456632	1	DRIVEN GEAR	
27	34221040	1	CYLINDRICAL PLUG	
28	56356661	1	COUNTERWEIGHT	
29	58043053	1	CYLINDRICAL PLUG	



Pos.	Id	Q.ty	Description	Note
30	37111121	1	BEARING 61801 (12X21X5)	
31	56156654	1	SPACER	
32	56156655	1	SPACER	
33	52456636	1	GEAR	





**i** = info - stop 2 sec. ★ = new part

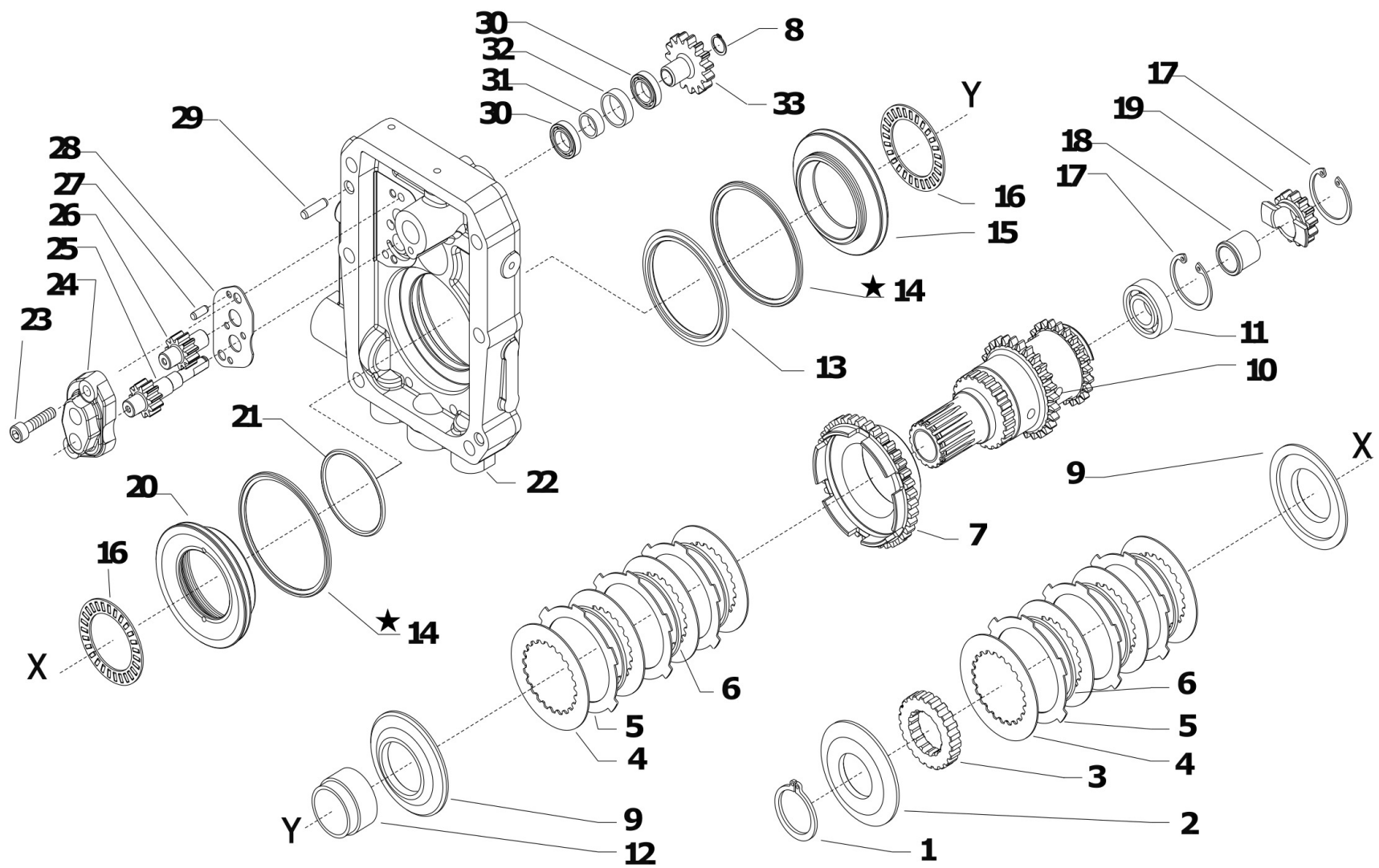


Pos.	Id	Q.ty	Description	Note
1	35122028	1	SEEGER RING E 28 UNI 7436	
2	56156803	1	WASHER	
3	56456640	1	HUB	
4	56356642	1	DISC	
5	56356641	1	DISC	
6	56556682	1	SPRING	
7	52456427	1	GEAR	
8	35120007	1	SEEGER RING E 7 DIN 471	
9	52456677	1	PRESSURE PLATE	
10	59056619	1	COUNTERSHAFT	
11	37121150	1	BEARING 4202 ATN9 (15X35X14)SKF	
12	56156647	1	SPACER	
13	38120581	1	RING PTFE PRP 01A02-0580-A-32	REPLACE 38120580
14	38140750	1	RING TEF.E/GR-L 0750-A POLYPAC	
15	52456676	1	PISTON	
16	37341350	1	BEARINGAXK 3552 (35X52X2)	
17	35111035	1	SEEGER RING I 35 DIN 472	
18	57156652	1	END BEARING	
19	52456802	1	FIRST GEAR ED	
20	52456675	1	PISTON	
21	38114569	1	O-RING 3181 (45,69X2,62)	
22	59256800	1	FLANGE	
23	31152064	1	SCREW TCEI M6X25 UNI 5931	
24	51156631	1	COVER	
25	52456633	1	GEAR	
26	52456632	1	DRIVEN GEAR	
27	34221040	1	CYLINDRICAL PLUG	
28	56356661	1	COUNTERWEIGHT	
29	58043053	1	CYLINDRICAL PLUG	



Pos.	Id	Q.ty	Description	Note
30	37111121	1	BEARING 61801 (12X21X5)	
31	56156654	1	SPACER	
32	56156655	1	SPACER	
33	52456636	1	GEAR	





 [Click for info](#)

★ = new part



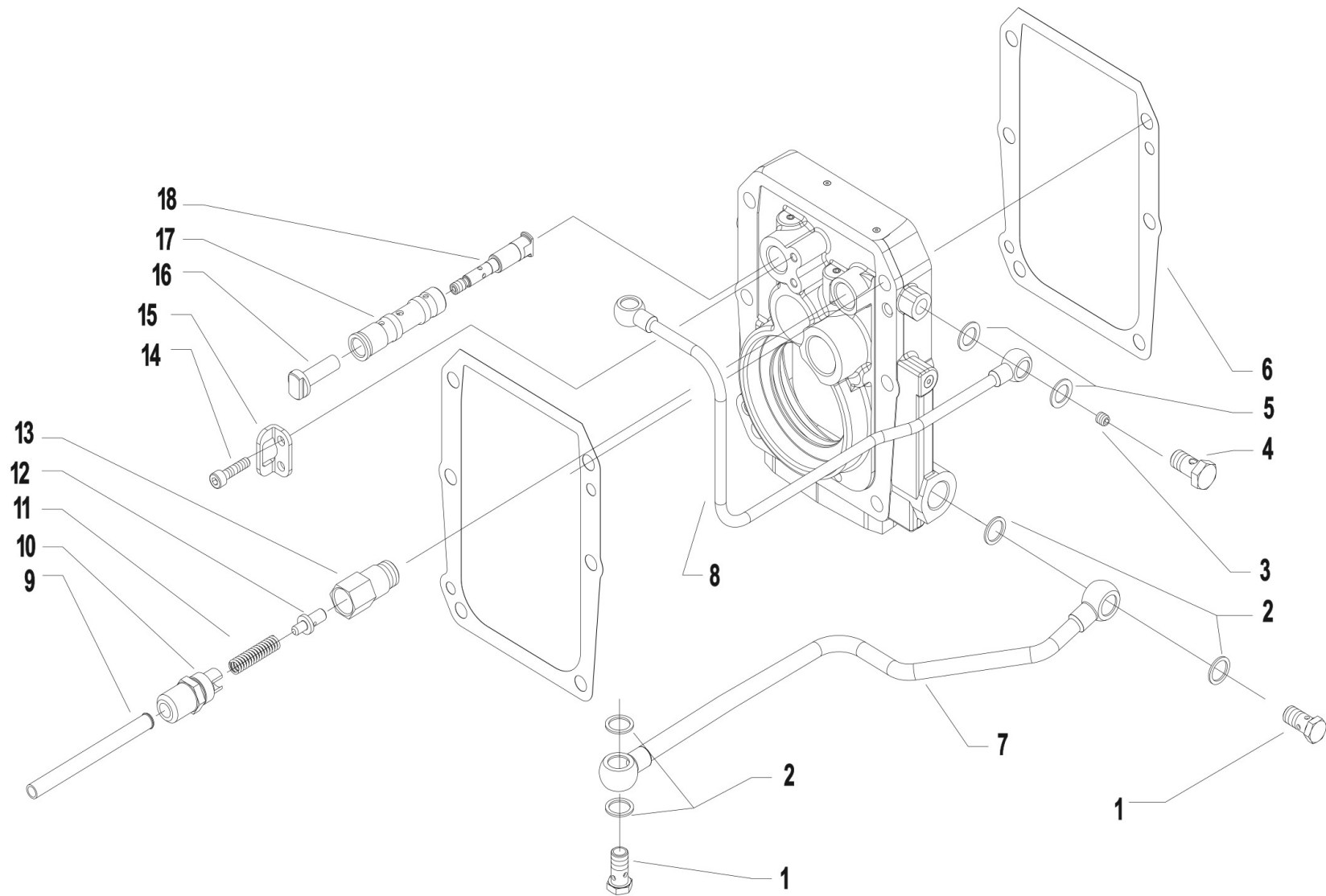


Pos.	Id	Q.ty	Description	Note
1	35122028	1	SEEGER RING E 28 UNI 7436	
2	56156803	1	WASHER	
3	56456640	1	HUB	
4	56356642	1	DISC	
5	56356641	1	DISC	
6	56556682	1	SPRING	
7	52456427	1	GEAR	
8	35120007	1	SEEGER RING E 7 DIN 471	
9	52456677	1	PRESSURE PLATE	
10	59056619	1	COUNTERSHAFT	
11	37121150	1	BEARING 4202 ATN9 (15X35X14)SKF	
12	56156647	1	SPACER	
13	38120581	1	RING PTFE PRP 01A02-0580-A-32	
14	38140751	1	RING PTFE PRP02A02-0750-A-32-N	REPLACES 38140750
15	52456676	1	PISTON	
16	37341350	1	BEARINGAXK 3552 (35X52X2)	
17	35111035	1	SEEGER RING I 35 DIN 472	
18	57156652	1	END BEARING	
19	52456802	1	FIRST GEAR ED	
20	52456675	1	PISTON	
21	38114569	1	O-RING 3181 (45,69X2,62)	
22	59256800	1	FLANGE	
23	31152064	1	SCREW TCEI M6X25 UNI 5931	
24	51156631	1	COVER	
25	52456633	1	GEAR	
26	52456632	1	DRIVEN GEAR	
27	34221040	1	CYLINDRICAL PLUG	
28	56356661	1	COUNTERWEIGHT	
29	58043053	1	CYLINDRICAL PLUG	



Pos.	Id	Q.ty	Description	Note
30	37111121	1	BEARING 61801 (12X21X5)	
31	56156654	1	SPACER	
32	56156655	1	SPACER	
33	52456636	1	GEAR	



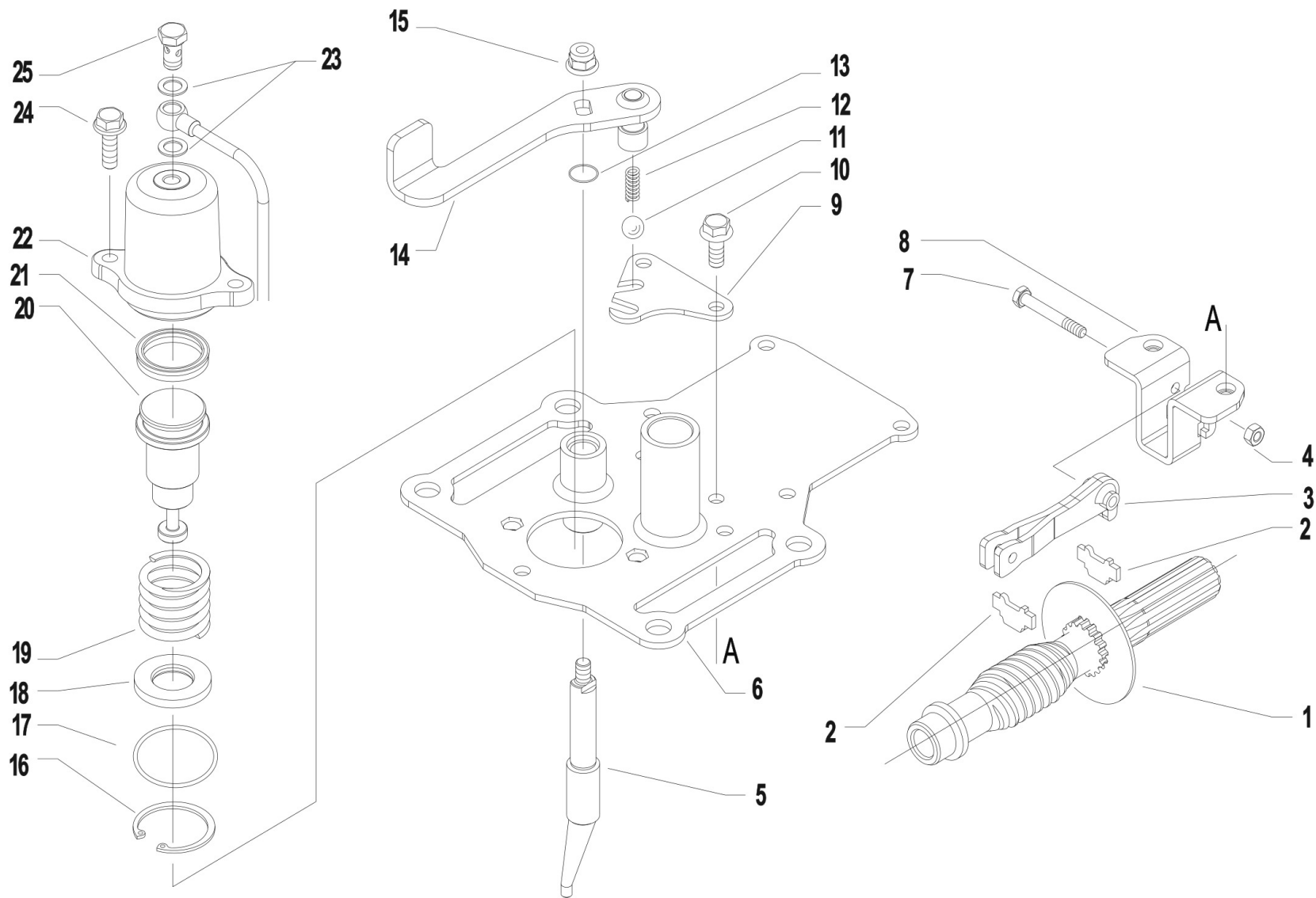


BCS Motor mowers, BCS 2-wheel tractors - 630 WS MAX PS ED

H.04.05.A0005\_00 - GEARS

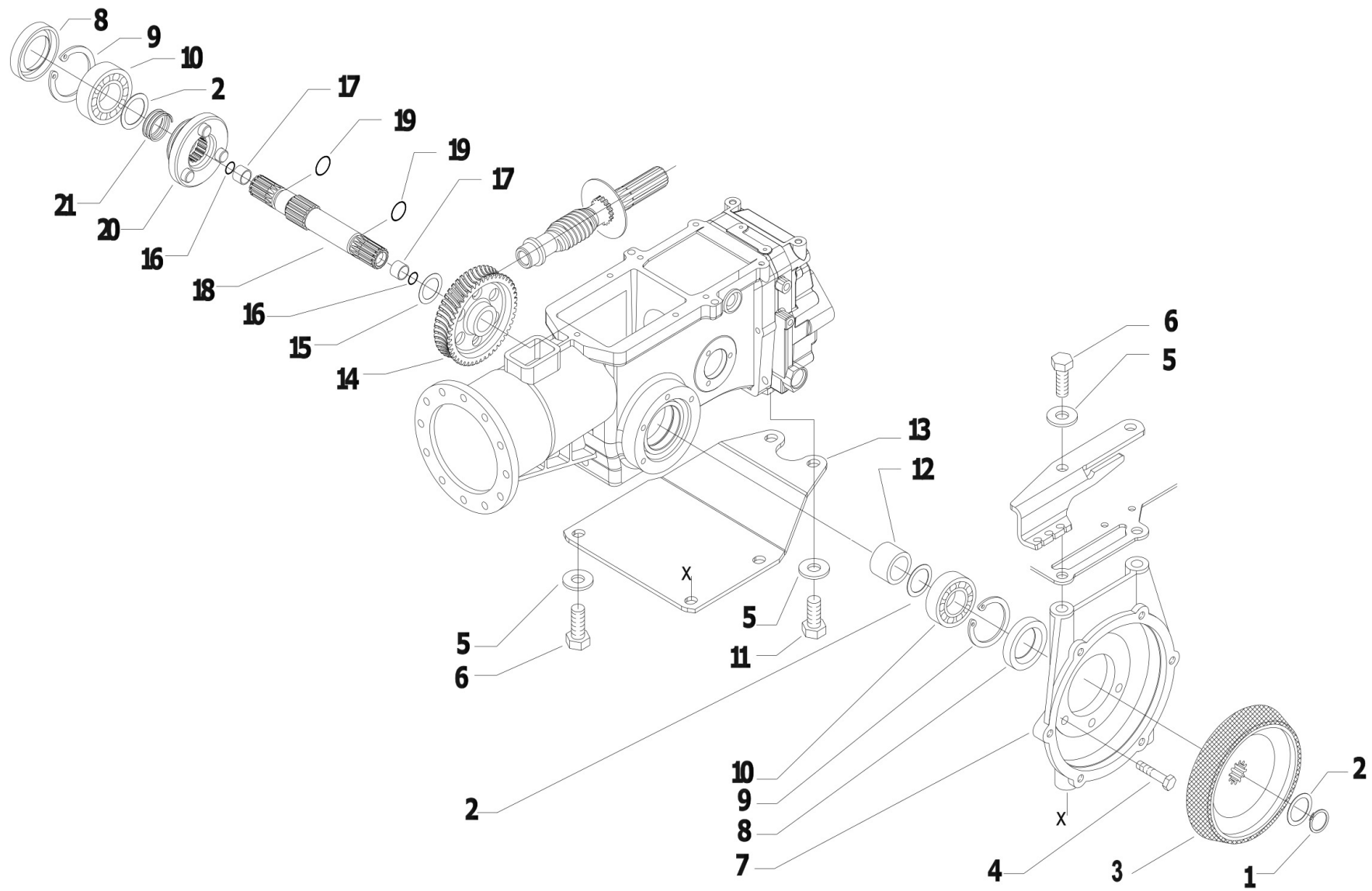
Pos.	Id	Q.ty	Description	Note
1	F0843109020	1	PIPE FITTING	
2	31480184	1	COPPER WASHER 16,7x22/1,5	
3	58156449	1	SCREW	
4	58156448	1	PIPE FITTING	
5	31480180	1	COPPER WASHER 10,2x16/1	
6	58056671	1	GASKET	
7	59056700Z	1	SUCTION PIPE	
8	59056667	1	OIL PIPE	
9	56157187	1	PIPE	
10	56157198	1	PLUG	
11	58056688	1	SPRING	
12	56456657	1	VALVE	
13	56156658	1	VALVE INSERT/INLET	
14	31152049	1	SCREW TCEI M5X12 UNI 5931	
15	56156670	1	STOP	
16	56456663	1	CAP	
17	56456627	1	DISTRIBUTOR	
18	56456662	1	GENERIC	





Pos.	Id	Q.ty	Description	Note
1	56556316	1	BRAKE DISC	
2	56356321	1	PAD	
3	59056318	1	BRAKE LEVER	
4	31241064	1	LEAFLET	
5	56443871	1	ROD	
6	59256315	1	COMPLETE COVER	
7	31111097	1	SCREW TE M6X45 UNI 5737 8G	
8	59056440	1	CONNECTION	
9	56356437Z	1	SELECTOR	
10	31112170	1	SCREW TE C/F M8X20 DIN 6921	
11	37911532	1	BALL 15/32	
12	58043176	1	SPRING	
13	38111400	1	O-RING (14,00X1,78)	
14	59056533	1	LEVER	
15	31241084	1	SELFLOCK NUT M8 6S	
16	35111042	1	SEEGER RING I 42 DIN 472	
17	38115207	1	RING OR 3206 (52,07X2,62)	
18	56156322	1	SPACER	
19	58056313	1	SPRING	
20	56156323	1	PISTON	
21	38000410	1	GASKET	
22	53256312	1	BODY	
23	31480180	1	COPPER WASHER 10,2x16/1	
24	31112166	1	SCREW TE C/F M8X25 DIN 6921 8G	
25	58192747	1	PIPE FITTING	





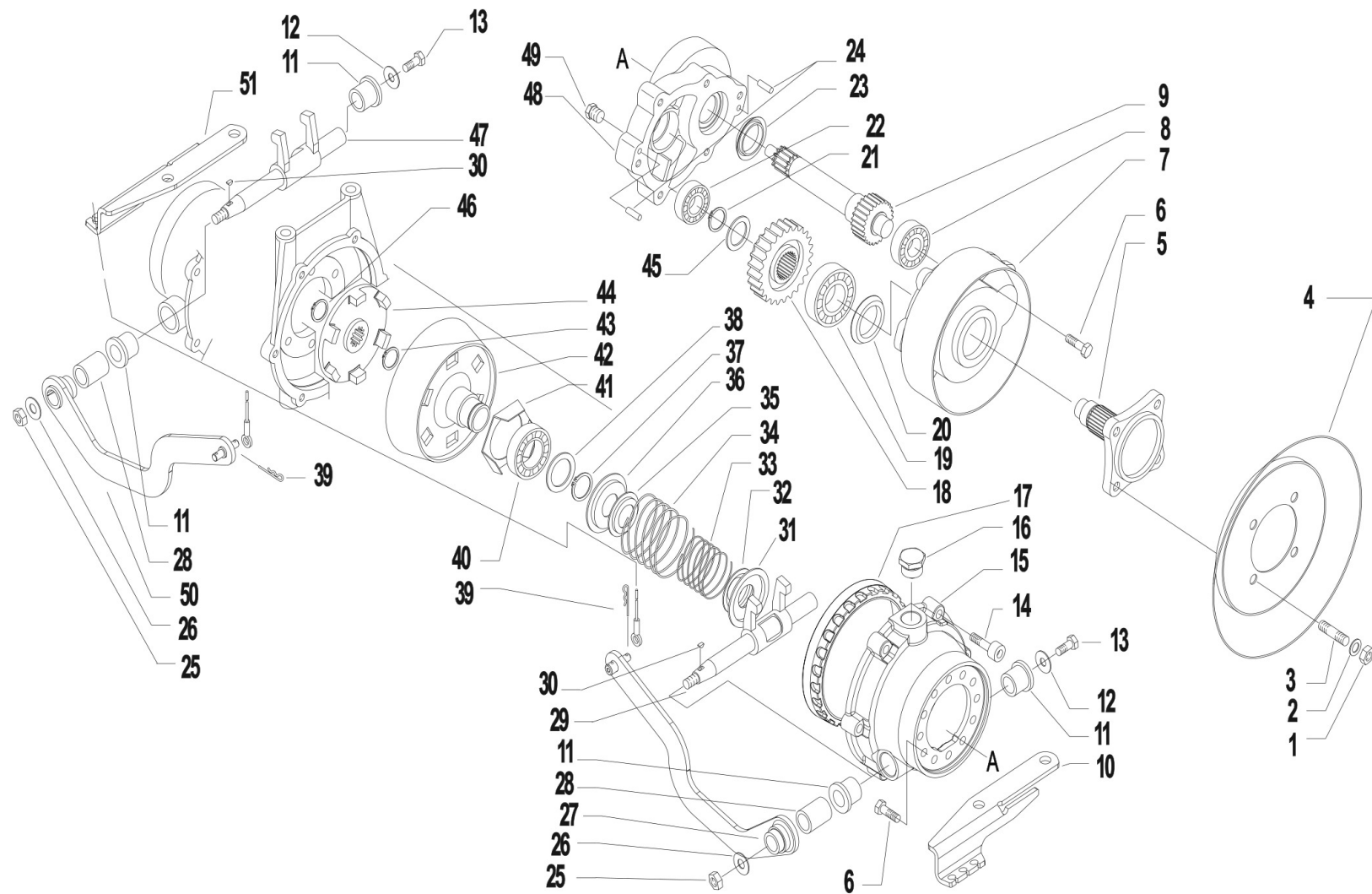
Pos.	Id	Q.ty	Description	Note
1	35121024	1	SEEGER RING	
2	58025866	1	SHIM	
2	58025867	1	SHIM	
2	58025868	1	SHIM	
2	58025869	1	SHIM	
3	59056558	1	FRICITION CONE	
4	31112167	1	SCREW TE C/F M8X30 DIN 6921 8G	
5	31421130	1	WASHER	
6	31112272	1	SCREW TE M12X30 UNI 5739	Tighten to 8.5 Kgm
7	51356610B	1	FLANGE	
8	38213503	1	OIL SEAL 35X52X8	
9	35111052	1	SEEGER RING I 52 DIN 472	
10	37111250	1	BEARING	
11	31112271	1	SCREW TE M12X25 UNI 5739	Tighten to 8.5 Kgm
12	56156568	1	SPACER	
13	56156656	1	SHIELD	
14	54156546	1	CROWN WHEEL Z=47 DESTRORSA	
15	31400205	1	SHIM PS 25x36/0,2	
16	38111191	1	O-RING 115 (11,91X2,62)	
17	30030011	1	BUSHING 12X14X10	
18	56456441	1	OUTPUT SHAFT	
19	38111800	1	O-RING 4075 (18,64X3,53)	
20	59056445	1	COUPLING	
21	58056434	1	SPRING	



BCS Motor mowers, BCS 2-wheel tractors - 630 WS MAX PS ED

**I.02.05.A0005\_00 - WHEELS AXLE**





Pos.	Id	Q.ty	Description	Note
1	31241100	1	SELFLOCK HEXAGON NUT M10	
2	31423105	1	SPRING WASHER 10,5	
3	31312102	1	STUD BOLT M10X40X24X12	
4	56157807	1	BOTTOM	
5	52456560	1	AXLE SHAFT	
6	31112166	1	SCREW TE C/F M8X25 DIN 6921 8G	
7	53257808B	1	COVER	
8	37141201	1	BEARING 7204-B (20X47X14)	
9	52456556	1	SHAFT	
10	56156544	1	SUPPORT	
11	30030018	1	BUSHING 18x25x25	
12	31411090	1	WASHER 9x24	
13	31112150	1	SCREW TE M8X20 UNI 5739 8G	
14	31152084	1	SCREW TCEI M8X35 UNI 5931	
15	53256549B	1	CLUTCH HOUSING	
16	56356545	1	SPECIAL SCREW M24	
17	59056547	1	RING	
18	52456564	1	GEAR Z26	
19	37111300	1	BEARING 6206 (30X62X16)	
20	38214001	1	OIL SEAL 40X52X7	
21	35121026	1	SEEGER RING E 26 DIN 471	
22	37111200	1	BEARING 6004 (20X42X12)	
23	38213003	1	OIL SEAL 30X47X7	
24	58043053	1	CYLINDRICAL PLUG	
25	31211100	1	NUT M10	
26	31421101	1	WASHER 10 DIN 679	
27	59056530N	1	COMMAND LEVER	
28	56156577	1	SPACER	
29	59056584	1	PIN	

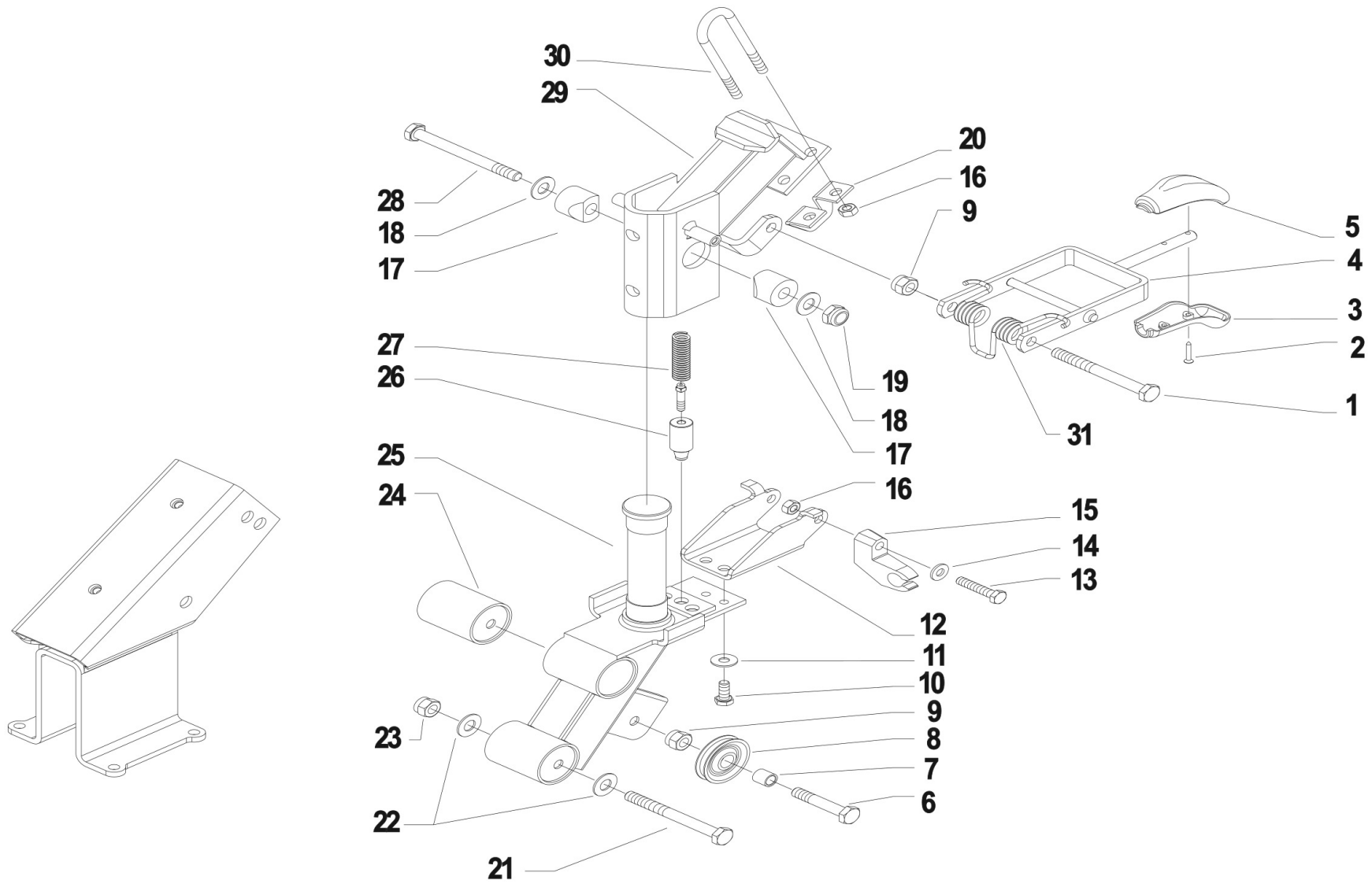


BCS Motor mowers, BCS 2-wheel tractors - 630 WS MAX PS ED

**I.03.05.A0005\_00 - WHEELS AXLE**

Pos.	Id	Q.ty	Description	Note
30	34311040	1	KEY 4X6,5 UNI 6606	
31	56156566	1	STOP	
32	56156585	1	STOP	
33	58047875	1	SPRING	
34	58047885	1	COUPLING SPRING	
35	56156585	1	STOP	
36	56156566	1	STOP	
37	35121030	1	SEEGER RING E 30 DIN 471	
38	31400192	1	SHIM PS 30x42/1,5	
39	34110030	1	SPLIT PIN A3X20 UNI 1336	
40	37112230	1	BEARING 6006-2RS1 (305513) SKF	
41	56347854	1	GUARD	
42	52356559	1	FRICION CONE	
43	35121024	1	SEEGER RING	
44	52456567	1	DISC	
45	31400190	1	SHIM	
46	35121024	1	SEEGER RING	
47	59056583	1	PIN	
48	53256553B	1	FLANGE	
49	30040001	1	PLUG 1/4 UNI 364	
50	59056535N	1	COMMAND LEVER	
51	56156543	1	SUPPORT	





BCS Motor mowers, BCS 2-wheel tractors - 630 WS MAX PS ED

**J.02.05.A0005\_00 - STEERING COLUMN**

Pos.	Id	Q.ty	Description	Note
1	31111229	1	SCREW TE M10X110 UNI 5737 8G	
2	31100451	1	SCREW 3,5X25	
3	55157213	1	GRIP	
4	59056887	1	LEVER	
5	55157212	1	GRIP	
6	31112211	1	SCREW TE M10X30 UNI 5739	
7	56120364	1	SLEEVE	
8	55220363	1	PULLEY BRAKE	
9	31241100	1	SELFLOCK HEXAGON NUT M10	
10	31112093	1	SCREW TE M6X20	
11	31422064	1	SPRING WASHER 6,4	
12	59256880	1	CONNECTION	
13	31112153	1	SCREW TE M8X35 UNI 5739 8G	
14	31423084	1	SPRING WASHER 8,4	
15	55243340	1	SUPPORT	
16	31241080	1	HEXAGON SELFLOCK NUT M8	
17	52156917	1	WEDGE	
18	31421100	1	CUP SPRING 25X12,2X1,5 D2093	
19	31241126	1	SELFLOCK NUT M12	
20	56156948	1	STOP	
21	31112295	1	SCREW TE M12X90 UNI 5737	
22	31423130	1	SPRING WASHER EL 13 DIN 137-B	
23	31241121	1	SELFLOCK NUT M12	
24	30010120	1	SILENT-BLOCK 12X40X58X66	
25	59056886	1	COLUMN	
26	56356924	1	FERRULE	
27	58056918	1	SPRING	
28	31112293	1	SCREW TE M12X80 UNI 5737	
29	59056875	1	COLUMN	

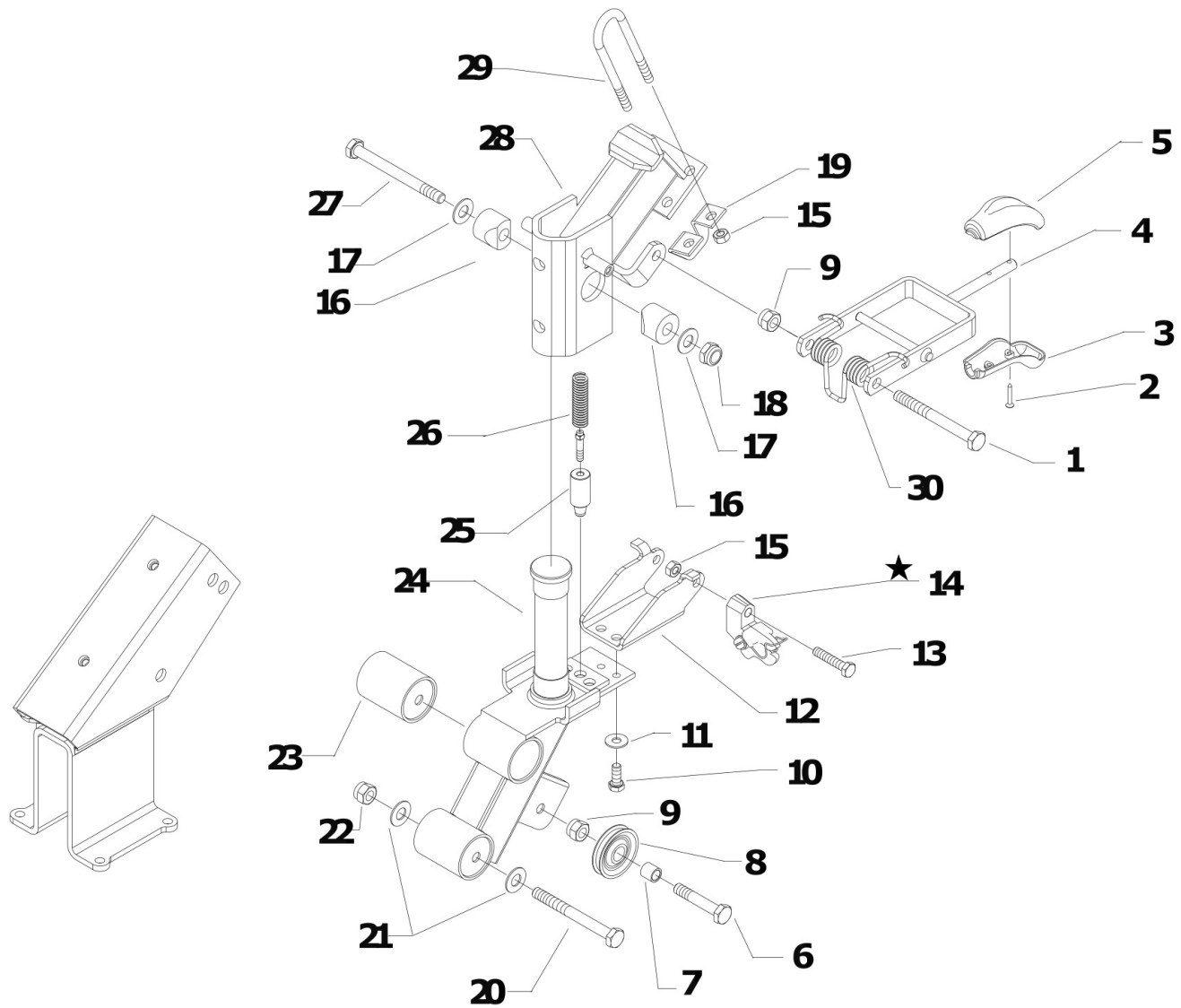


Pos.	Id	Q.ty	Description	Note
30	56156940	1	U BOLT	
31	58056942	1	SPRING	



BCS Motor mowers, BCS 2-wheel tractors - 630 WS MAX PS ED

**J.02.05.A0005\_00 - STEERING COLUMN**



[Click for info](#)

★ = new part



BCS Motor mowers, BCS 2-wheel tractors - 630 WS MAX PS ED

J.02.05.A0005\_01 - STEERING COLUMN

Pos.	Id	Q.ty	Description	Note
1	31111229		SCREW TE M10X110 UNI 5737 8G	
2	31100451		SCREW 3,5X25	
3	55157213		GRIP	
4	59056887		LEVER	
5	55157212		GRIP	
6	31112211		SCREW TE M10X30 UNI 5739	
7	56120364		SLEEVE	
8	55220363		PULLEY BRAKE	
9	31241100		SELFLOCK HEXAGON NUT M10	
10	31112093		SCREW TE M6X20	
11	31422064		SPRING WASHER 6,4	
12	59256880		CONNECTION	
13	31112153		SCREW TE M8X35 UNI 5739 8G	
14	59243337		ROD SUPPORT WITH SPRING	REPLACES 55243340
15	31241080		HEXAGON SELFLOCK NUT M8	
16	52156917		WEDGE	
17	31421100		CUP SPRING 25X12,2X1,5 D2093	
18	31241126		SELFLOCK NUT M12	
19	56156948		STOP	
20	31112295		SCREW TE M12X90 UNI 5737	
21	31423130		SPRING WASHER EL 13 DIN 137-B	
22	31241121		SELFLOCK NUT M12	
23	30010120		SILENT-BLOCK 12X40X58X66	
24	59056886		COLUMN	
25	56356924		FERRULE	
26	58056918		SPRING	
27	31112293		SCREW TE M12X80 UNI 5737	
28	59056875		COLUMN	
29	56156940		U BOLT	



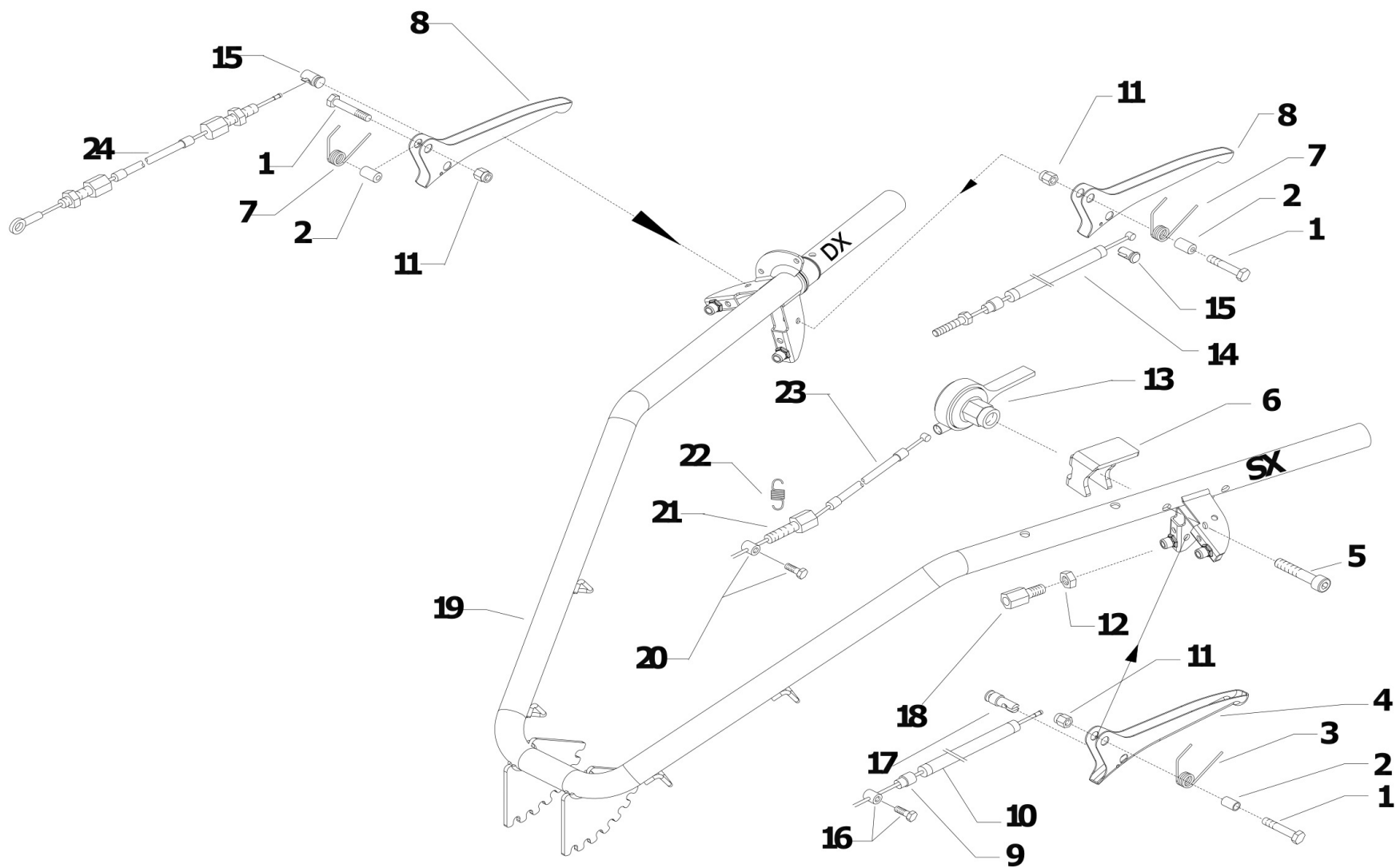


Pos.	Id	Q.ty	Description	Note
30	58056942		SPRING	



BCS Motor mowers, BCS 2-wheel tractors - 630 WS MAX PS ED

**J.02.05.A0005\_01 - STEERING COLUMN**

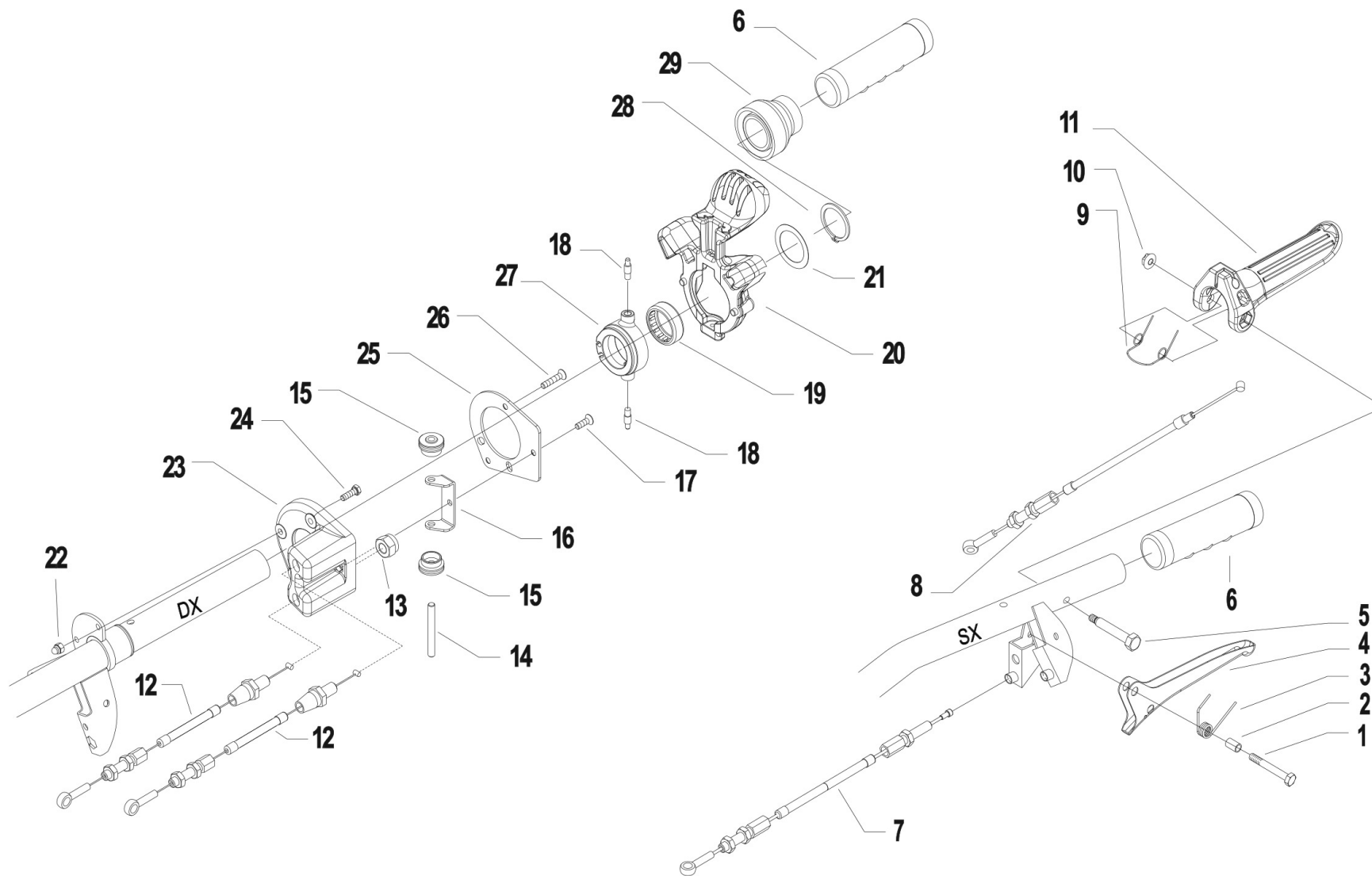


BCS Motor mowers, BCS 2-wheel tractors - 630 WS MAX PS ED

**K.02.05.A0005\_00 - HANDLEBAR**

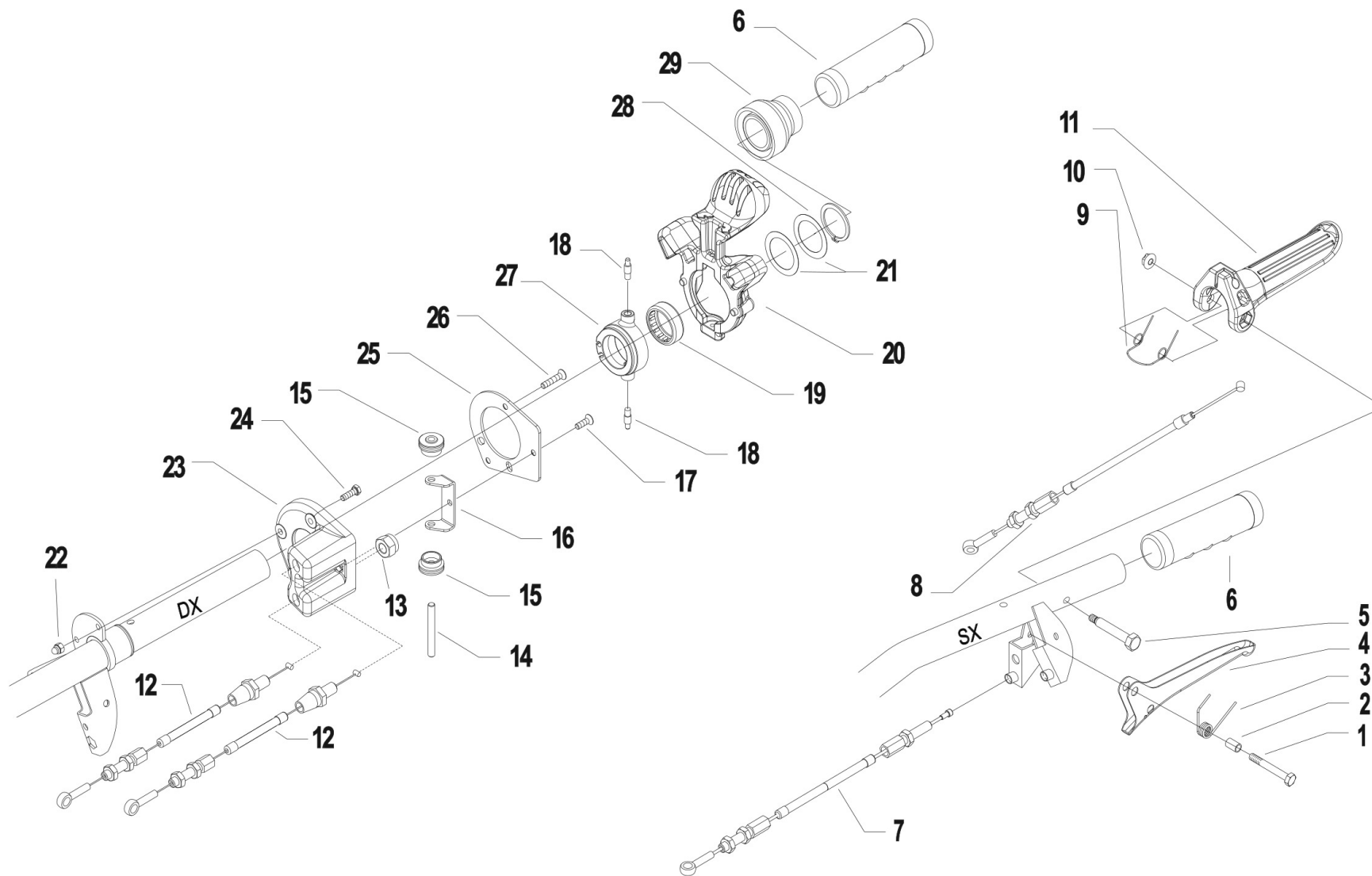
Pos.	Id	Q.ty	Description	Note
1	31112089	1	SCREW TE M6X25 UNI 5739 8G	
2	56156603Z	1	SPACER	
3	58050345	1	SPRING	
4	56148470N	1	LEVER	
5	31121020	1	SCREW TBCEI M8X40 ISO7380 10K Z	
6	56156874N	1	PANEL	
7	58056605	1	SPRING	
8	56156604	1	CLUTCH LEVER	
9	58042167	1	SHEATH END	
10	58057357	1	LINE AND SHEATH L=940	
11	31241060	1	HEXAGON SELFLOCK NUT M6	
12	31211080	1	NUT M8	
13	58002538	1	ACCELERATOR	
14	58057211	1	TRANSMISSION	
15	58150313	1	CABLE CLAMP	
16	58002429	1	CLAMPING SCREW	
17	56156591	1	CABLE CLAMP D=8	
18	58042202	1	ADJUSTING SCREW M8	
19	59256540	1	HANDLE BAR	
20	58156156	1	TERMINAL	For motors GX340/GX390
21	58147704	1	ADJUSTING SCREW	For motors GX340/GX390
22	58056155	1	RESTORING SPRING	For motors GX340/GX390
23	58026222	1	LINE AND SHEATH (L=1380)	For the engine L100
23	58056812	1	LINE AND SHEATH L=1680	For the engine EX35
23	58057342	1	LINE AND SHEATH (L=1470)	For the engine 15LD350
24	58056580	1	TRANSMISSION	





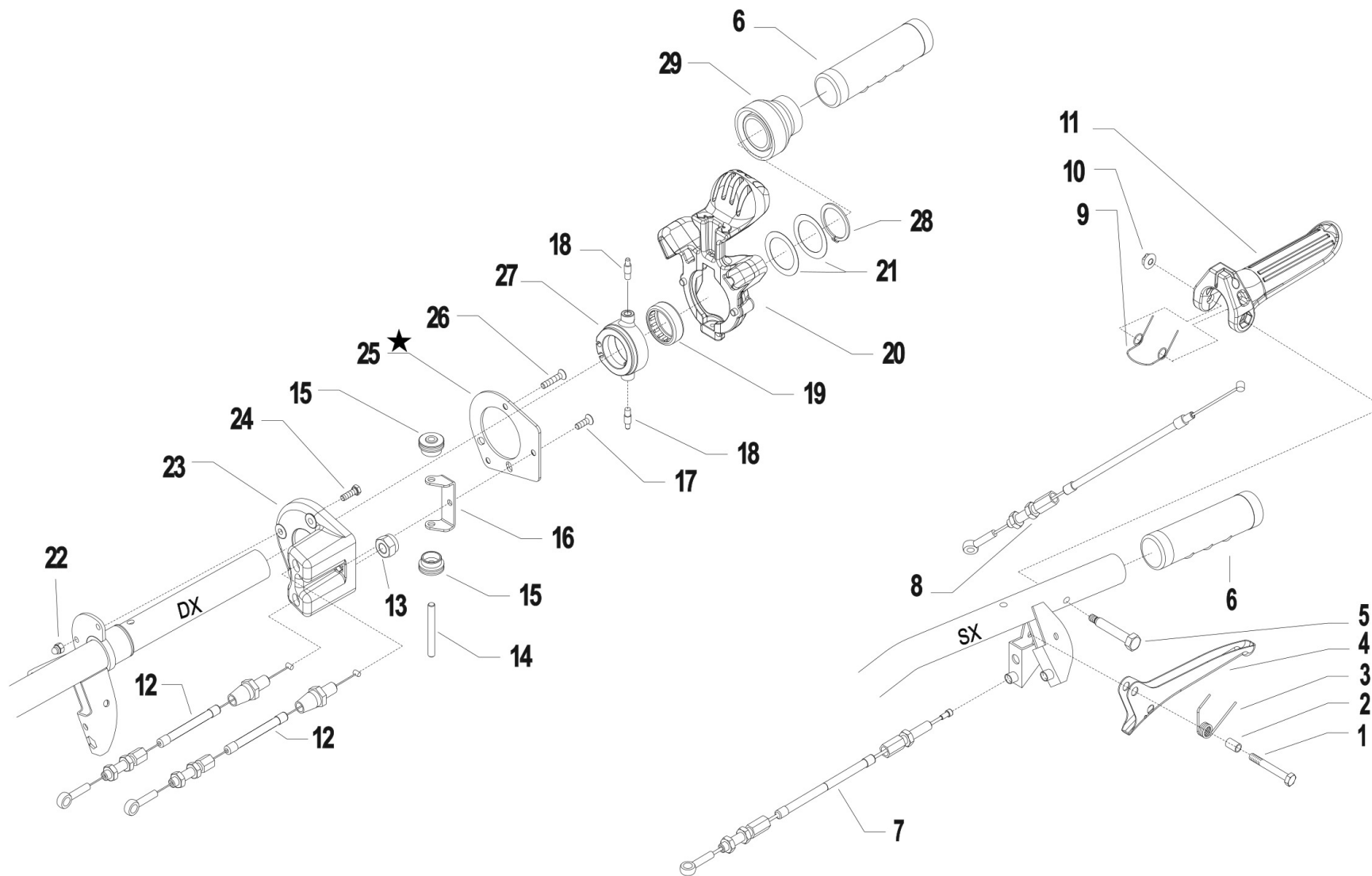
Pos.	Id	Q.ty	Description	Note
1	31112089	1	SCREW TE M6X25 UNI 5739 8G	
2	56156603Z	1	SPACER	
3	58050345	1	SPRING	
4	56148470N	1	LEVER	
5	56356184Z	1	LEVER PIN	
6	58048000	1	KNOB D=27	
7	58056523	1	LINE L=1490	
8	58056524	1	LINE L=1560	
9	58056186Z	1	SPRING	
10	31241065	1	SELFLOCK NUT M6	
11	55256185	1	LEVER	
12	58057181	1	COMPLETE TRANSMISSION	
13	31241098	1	SELFLOCK NUT M10x1,25	
14	56457191	1	PIN	
15	55257197	1	CHAIN PULLEY	
16	56157178	1	SUPPORT	
17	31132516	1	SCREW TSVEI M5X16 UNI 5933	
18	56156687Z	1	PIN	
19	37331303	1	BUSHING HK3012B AS1 30X37X12	
20	59256685	1	LEVER	
21	58125950	1	SHIM	
22	31241053	1	SELFLOK M5 UNI 986 C/CALOT	
23	55257175	1	BODY	
24	31112051	1	SCREW TE M5X14 UNI 5739 8G	
25	56657196	1	COVER	
26	31132525	1	SCREW TSVEI M5X25 UNI 5933	
27	55257127	1	SPROCKET	
28	35121030	1	SEEGER RING E 30 DIN 471	
29	55257141	1	SHIM	





Pos.	Id	Q.ty	Description	Note
1	31112089	1	SCREW TE M6X25 UNI 5739 8G	
2	56156603Z	1	SPACER	
3	58050345	1	SPRING	
4	56148470N	1	LEVER	
5	56356184Z	1	LEVER PIN	
6	58048000	1	KNOB D=27	
7	58056523	1	LINE L=1490	
8	58056524	1	LINE L=1560	
9	58056186Z	1	SPRING	
10	31241065	1	SELFLOCK NUT M6	
11	55256185	1	LEVER	
12	58057181	1	COMPLETE TRANSMISSION	
13	31241098	1	SELFLOCK NUT M10x1,25	
14	56457191	1	PIN	
15	55257197	1	CHAIN PULLEY	
16	56157178	1	SUPPORT	
17	31132516	1	SCREW TSVEI M5X16 UNI 5933	
18	56156687Z	1	PIN	
19	37331303	1	BUSHING HK3012B AS1 30X37X12	
20	59256685	1	LEVER	
21	31460465	1	SPRING SCHNORR K 46.5x30.5x0,6 243250	
22	31241053	1	SELFLOK M5 UNI 986 C/CALOT	
23	55257175	1	BODY	
24	31112051	1	SCREW TE M5X14 UNI 5739 8G	
25	56657196	1	COVER	
26	31132525	1	SCREW TSVEI M5X25 UNI 5933	
27	55257127	1	SPROCKET	
28	35121030	1	SEEGER RING E 30 DIN 471	
29	55257141	1	SHIM	





**i** = info - stop 2 sec. ★ = new part



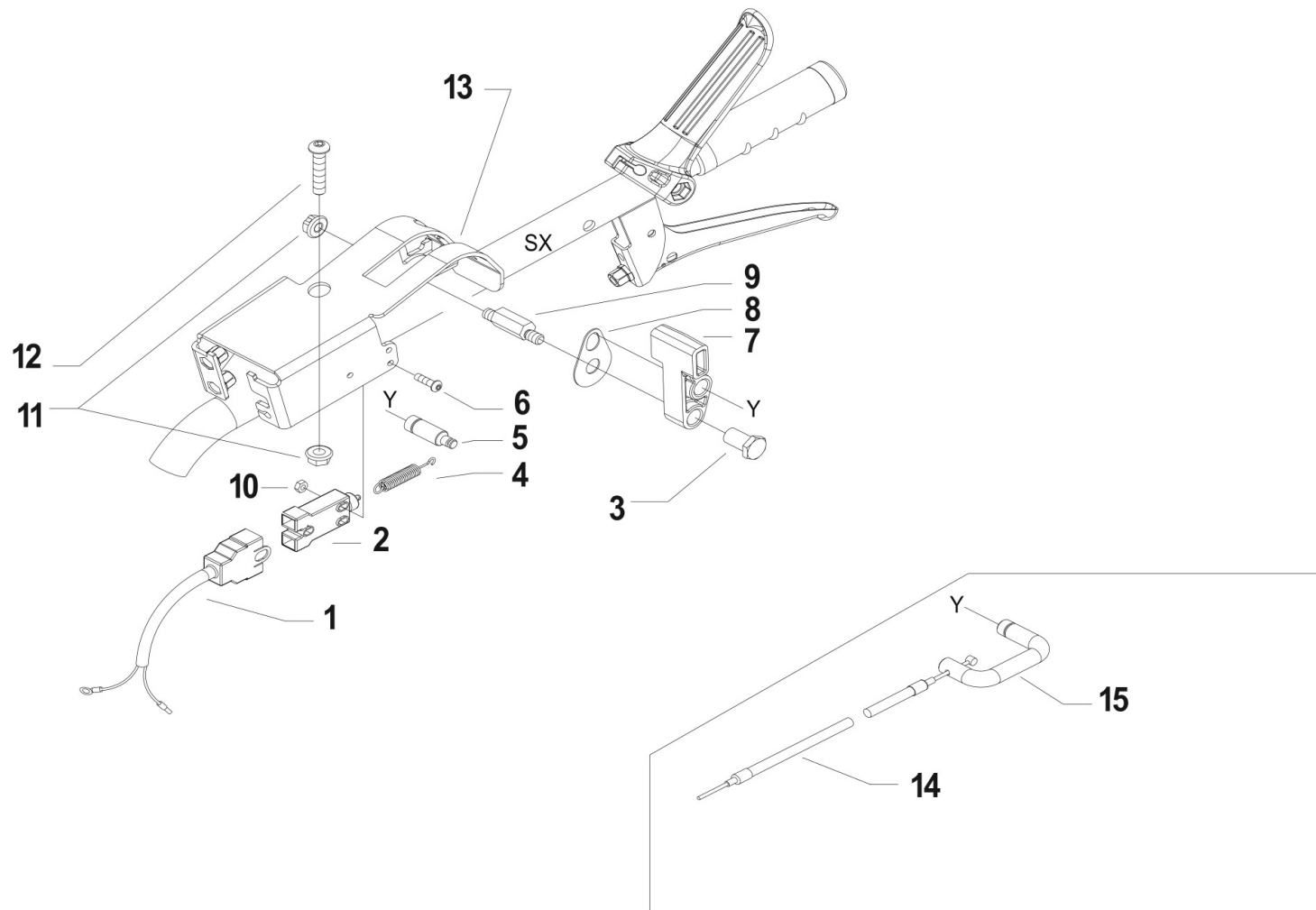
BCS Motor mowers, BCS 2-wheel tractors - 630 WS MAX PS ED

L.02.05.A0005\_02 - KNOB



Pos.	Id	Q.ty	Description	Note
1	31112089	1	SCREW TE M6X25 UNI 5739 8G	
2	56156603Z	1	SPACER	
3	58050345	1	SPRING	
4	56148470N	1	LEVER	
5	56356184Z	1	LEVER PIN	
6	58048000	1	KNOB D=27	
7	58056523	1	LINE L=1490	
8	58056524	1	LINE L=1560	
9	58056186Z	1	SPRING	
10	31241065	1	SELFLOCK NUT M6	
11	55256185	1	LEVER	
12	58057181	1	COMPLETE TRANSMISSION	
13	31241098	1	SELFLOCK NUT M10x1,25	
14	56457191	1	PIN	
15	55257197	1	CHAIN PULLEY	
16	56157178	1	SUPPORT	
17	31132516	1	SCREW TSVEI M5X16 UNI 5933	
18	56156687Z	1	PIN	
19	37331303	1	BUSHING HK3012B AS1 30X37X12	
20	59256685	1	LEVER	
21	31460465	1	SPRING SCHNORR K 46.5x30.5x0,6 243250	
22	31241053	1	SELFLOK M5 UNI 986 C/CALOT	
23	55257175	1	BODY	
24	31112051	1	SCREW TE M5X14 UNI 5739 8G	
25	563C1451Z	1	COPERCHIO ZNT	REPLACE 56657196
26	31132525	1	SCREW TSVEI M5X25 UNI 5933	
27	55257127	1	SPROCKET	
28	35121030	1	SEEGER RING E 30 DIN 471	
29	55257141	1	SHIM	



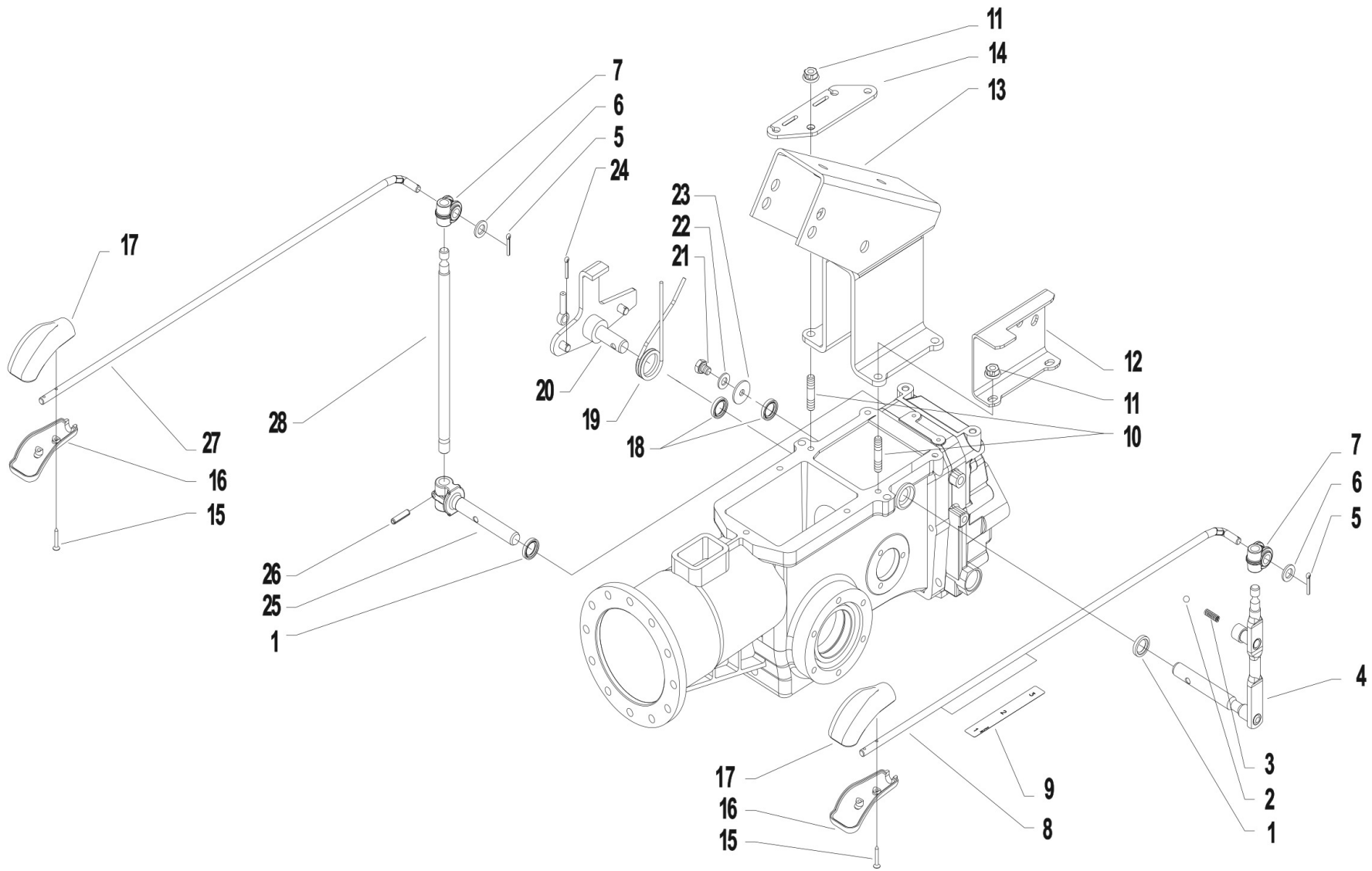


BCS Motor mowers, BCS 2-wheel tractors - 630 WS MAX PS ED

**L.03.05.A0005\_00 - HANDLEBAR CONTROLS**

Pos.	Id	Q.ty	Description	Note
1	58056837	1	WIRING	
2	58048009	1	ENGINE STOP SWITCH	
3	56148287	1	STUD BOLT	
4	58047712	1	SPRING	
5	56156834Z	1	INDEXING BOLT	
6	31121024	1	SCREW TBCEI FL.M4X25	
7	55256197	1	MOTOR STOP LEVER	
8	56356833Z	1	SMALL PLATE	
9	56356858Z	1	PIN	
10	31241042	1	SELFLOCK NUT M4 FL.6S	
11	31241084	1	SELFLOCK NUT M8 6S	
12	31121020	1	SCREW TBCEI M8X40 ISO7380 10K Z	
13	59256180	1	SUPPORT	
14	58048005	1	LINE AND SHEATH (L=1170)	For the engine L100
14	58049505	1	LINE AND SHEATH (L=1610)	For the engine, 15LD350
15	56156832Z	1	U BOLT	



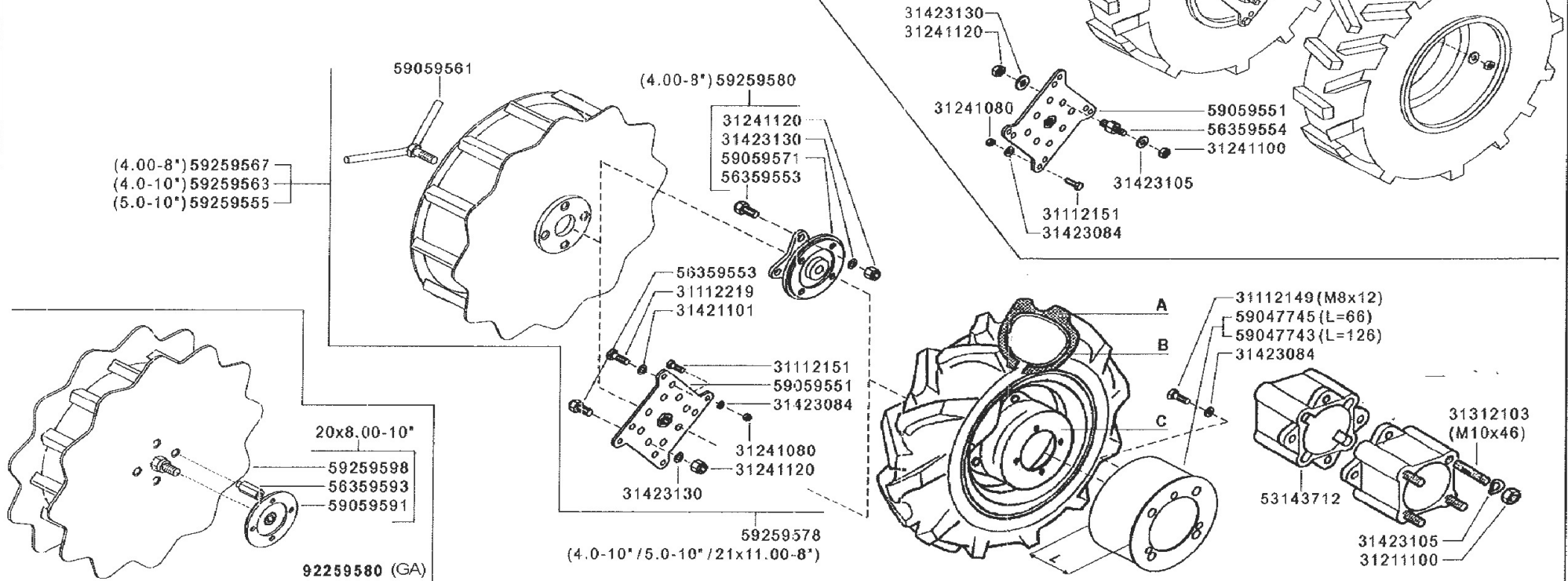


Pos.	Id	Q.ty	Description	Note
1	38211400	1	OIL SEAL 14X22X4	
2	37911532	1	BALL 15/32	
3	58043176	1	SPRING	
4	59057371N	1	GEAR LEVER	
5	34110028	1	SPLIT PIN A3X15 UNI 1336	
6	31411104	1	WASHER 10,5x18	
7	55242528	1	JOINT	
8	59057366N	1	PULL ROD	
9	58057645	1	DECAL	
10	31312088	1	STUD BOLT M8X40X14X14	
11	31241084	1	SELFLOCK NUT M8 6S	
12	56157372H	1	SELECTOR	
13	59056975	1	SUPPORT	
14	56156696H	1	SUPPORT	
15	31100451	1	SCREW 3,5X25	
16	55157213	1	GRIP	
17	55157212	1	GRIP	
18	38211400	1	OIL SEAL 14X22X4	
19	58056697Z	1	SPRING	
20	59057176	1	LEVER	
21	31112082	1	SCREW TE M6X12 UNI 5739 8G	
22	31421064	1	WASHER	
23	56158943	1	WASHER 7,0x25/2	
24	F0810505010	1	SPLIT PIN A2,0X201336	
25	52357250	1	PIN	
26	34213020	1	ROLL PIN	
27	56157367N	1	ROD	
28	56157256Z	1	PTO LEVER	



	A	B	C
5.0 - 10"	39115010	39415010	58048330
21 x 11.00 - 8"	39113501	TUBELESS	58057795
20 x 8.00 - 10"	39118021 (TR)	39416025	58057799
20 x 8.00 - 10"	39118020 (GA)	39415010	58057797

KIT GEMELLAGGIO PER 4.0-10" / 5.0-10"  
 TWINNING KIT FOR 4.0-10" / 5.0-10"  
 JUMELAGE KIT POUR 4.0-10" / 5.0-10"  
 KIT GEMELOS POR 4.0-10" / 5.0-10"  
 ZWILLINGSKIT 4.0-10" / 5.0-10"



600 serie PS

PowerSafe®

RUOTE (630 WS ED)

WHEELS  
RUEDAS

ROUES  
RÄDER

DALLA MACCHINA  
DE LA MAQUINA  
DE LA MACHINE  
FROM THE MACHINE  
AB DER MASCHINE

N.

P02 0

04/2011

REV.

ZENVE



BCS Motor mowers, BCS 2-wheel tractors - 630 WS MAX PS ED

P.02.05.A0005\_00 - WHEELS

Pos.	Id	Q.ty	Description	Note
31112149	31112149	1	SCREW TE M8X12 UNI 5739 8G	
31112151	31112151	1	SCREW TE M8X25 UNI 5739 8G	
31112219	31112219	1	SCREW TE M10X25 UNI 5739	
31211100	31211100	1	NUT M10	
31241080	31241080	1	HEXAGON SELFLOCK NUT M8	
31241100	31241100	1	SELFLOCK HEXAGON NUT M10	
31241120	31241120	1	SELFLOCK NUT M12	
31312103	31312103	1	STUD BOLT M10X46X24X16	
31421101	31421101	1	WASHER 10 DIN 679	
31423084	31423084	1	SPRING WASHER 8,4	
31423105	31423105	1	SPRING WASHER 10,5	
31423130	31423130	1	SPRING WASHER EL 13 DIN 137-B	
53143712	53143712	1	SPACER	
56359553	56359553	1	PIN	
56359554	56359554	1	PIN	
56359593	56359593	1	DRIVING PIN	
59047743	59047743	1	HUBCOVER	
59047745	59047745	1	HUBCOVER	
59059551	59059551	1	FLANGE	
59059561	59059561	1	SCREW	
59059571	59059571	1	FLANGE	
59059591	59059591	1	SPACER	
59259598	59259598	1	WHEEL	

