



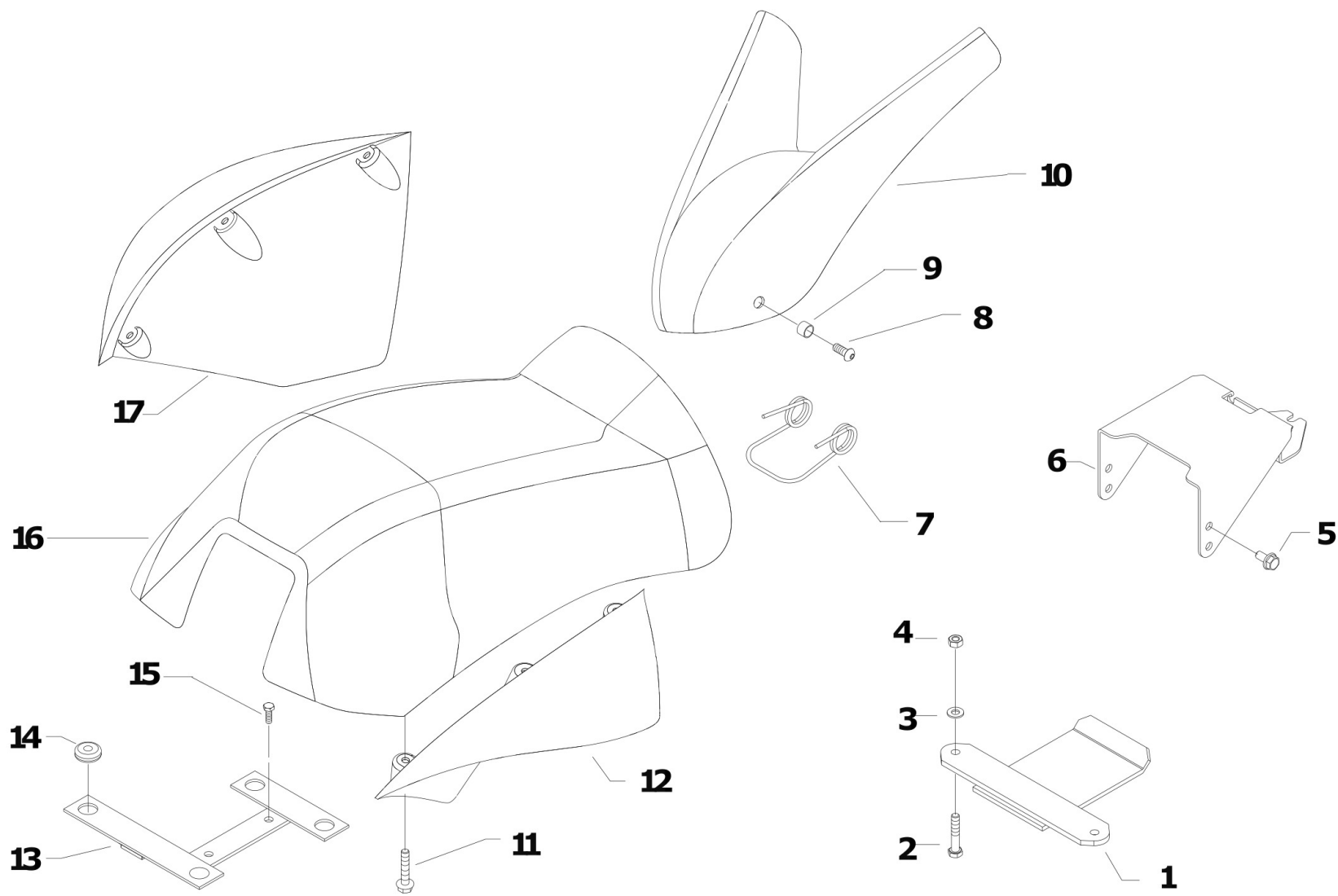
BCS Motor mowers, BCS 2-wheel tractors

630 WS PS



A60019 - 630 WS PS.....	3
A.02.02.A0041_00 - BODY.....	7
B.01.01.A0039_00 - POWERSAFE CLUCH CONTROL.....	9
C.01.01.A0039_00 - CYLINDER AND POWERSAFE CLUTCH.....	11
D.01.02.A0042_00 - POWERSAFE FILTER AND UNIT.....	13
E.01.02.A0041_00 - POWERSAFE CLUTCH HUB.....	15
F.01.02.A0041_00 - ENGINE FLANGES.....	17
G.03.02.A0041_00 - GEARBOX.....	19
H.04.02.A0041_00 - GEARS.....	21
I.05.02.A0041_00 - WHEEL AXLE.....	24
I.06.02.A0041_00 - WHEEL AXLE.....	26
J.03.02.A0041_00 - STEERING COLUMN.....	29
K.04.02.A0041_00 - HANDLEBAR.....	31
L.04.02.A0041_00 - HANDLEBAR CONTROLS.....	33
M.04.02.A0041_00 - CONTROLS.....	36
P.01.02.A0041_00 - STICKERS.....	38
P.02.02.A0041_00 - STICKERS.....	40
R.01.02.A0041_00 - WHEELS.....	42
R.02.02.A0041_00 - STEEP SLOPE.....	44





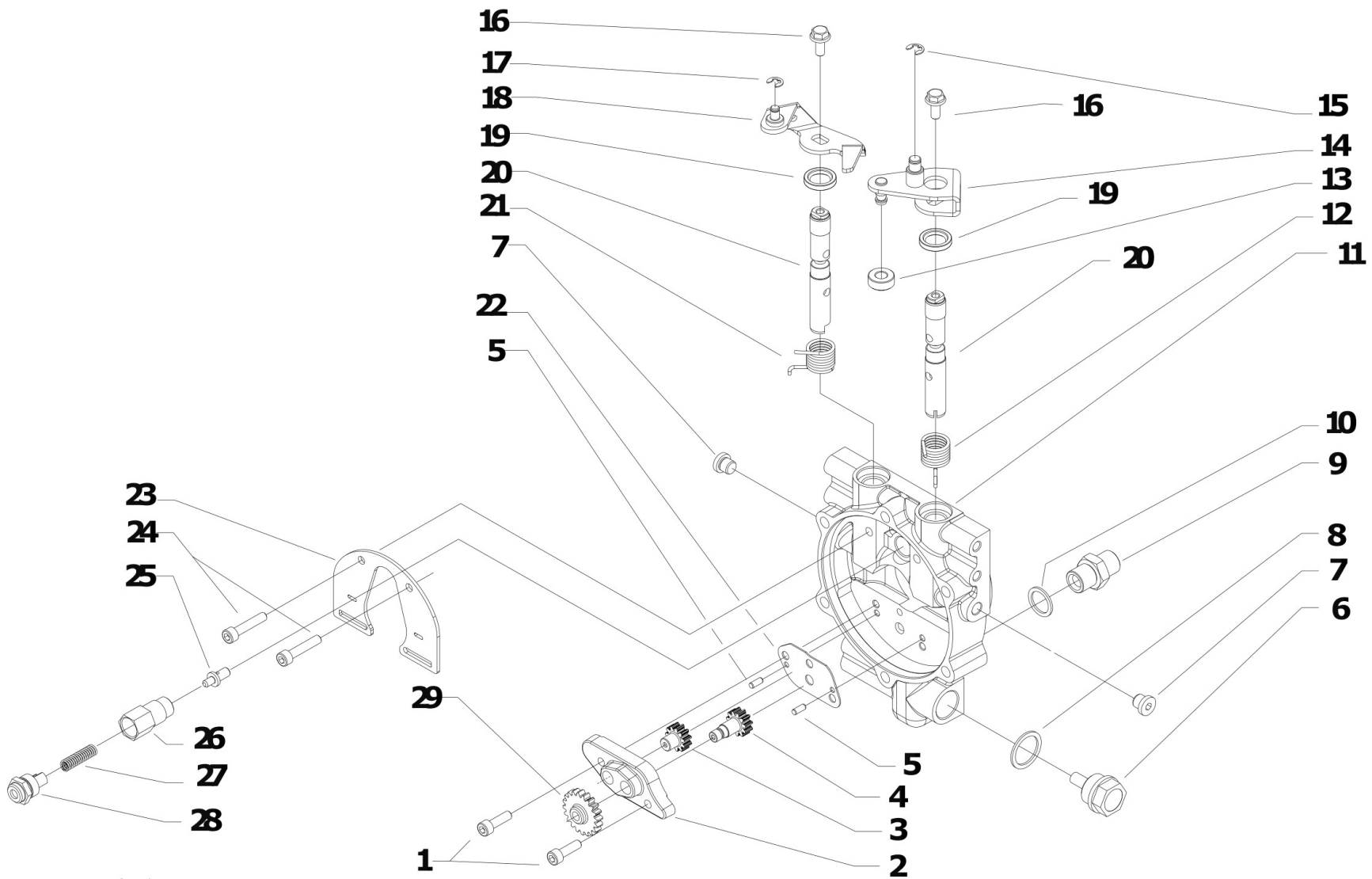
 [Click for info](#)

★ = new part



Pos.	Id	Q.ty	Description	Note
1	56156119N		SHIELD	GX
1	59056051N		SHIELD	KD350
1	59056111N		SHIELD	L100
2	31112169		SCREW TE C/F M8X40 DIN 6921	GX - L100
2	31112213		SCREW TE M10X40 UNI 5739	KD350
3	31411084		WASHER 8,4x17	L100
3	31411104		WASHER 10,5x18	KD350
4	31241084		SELFLOCK NUT M8 6S	GX - L100
4	31241100		SELFLOCK HEXAGON NUT M10	KD350
5	31112171		SCREW TE C/F M8X16 DIN 6921	
6	56156528N		TUNNEL	630 WS
6	561C1680N		TUNNEL MC HY	630
7	58056889Z		MOLLA RITEGNO CUPOLINO ZNT	
8	31121005		SCREW TBCEI FLANG. M6X25	
9	56157555		TUBE	
10	55257501		SMALL COVER	
11	31510100		RIBBED SCREW 6,3X19 UNI 6950	
12	55257503		FIN	
13	59057504N		HOLDER	
14	58056991		CABLE GLAND 90/200/30	
15	31112170		SCREW TE C/F M8X20 DIN 6921	
16	55257500		BODYWORK	
17	55257502		FIN	





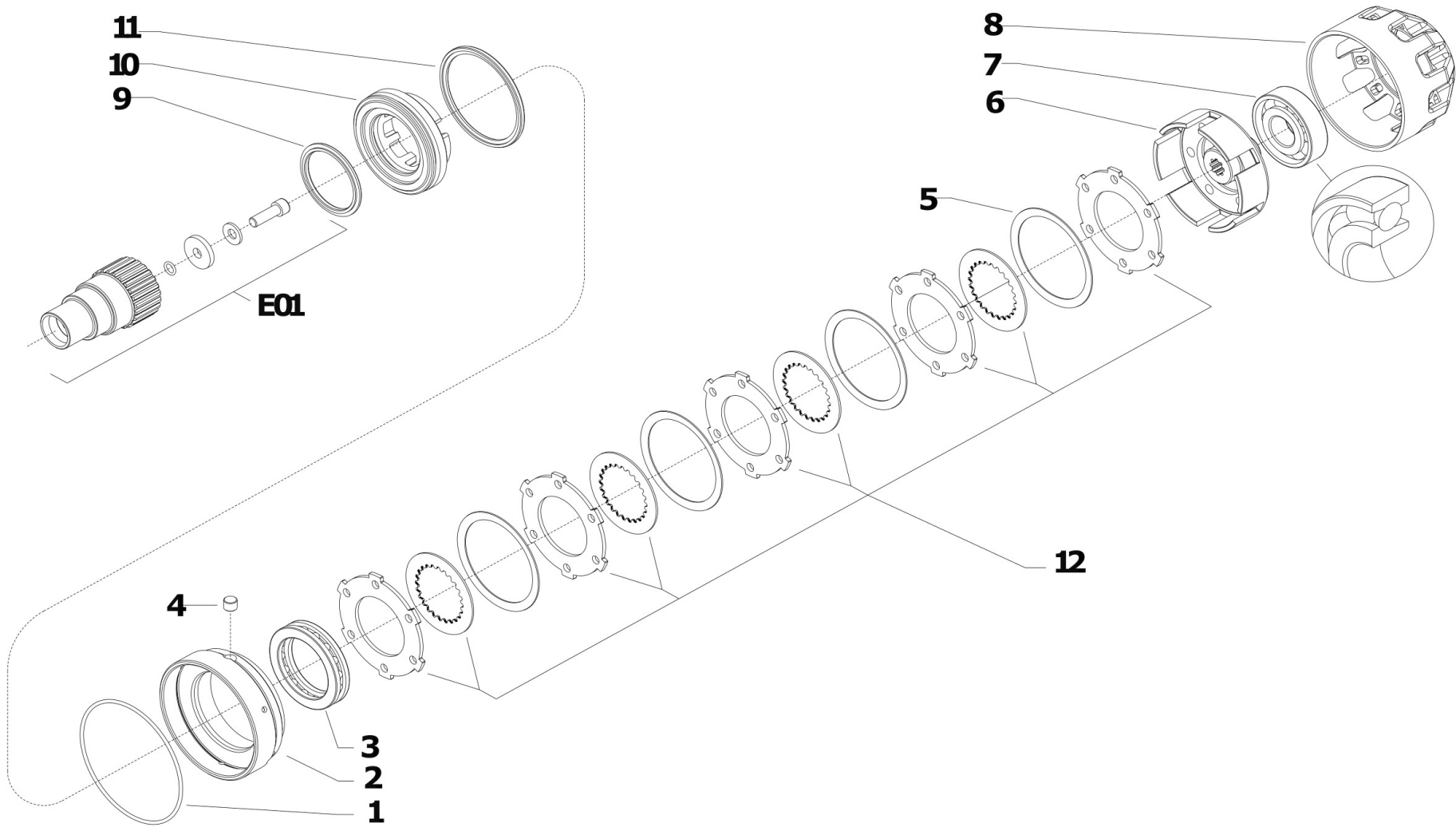
 [Click for info](#)

★ = new part



Pos.	Id	Q.ty	Description	Note
1	31152063		SCREW TCEI M6X20 UNI 5931	
2	56356364		PUMP COVER PS/14	
3	52456371		PUMP GEAR PS/14	
4	52456372		PUMP GEAR	
5	34221040		CYLINDRICAL PLUG	
6	58170021		PLUG	
7	580C0041		PLUG	
8	F0844273090		GASKET 22X28X1,5 CU 99,5	
9	30000197		NIPPLE	
10	31480184		COPPER WASHER 16,7x22/1,5	
11	59256745		POWERSAFE CLUTCH FLANGE	
12	58056222		SPRING	
13	55256228		ROLLER	
14	59056225Z		CLUTCH LEVER	
15	35211060		SEEGER RING E 6 UNI 7434	
16	31112084		SCREW TE C/F M6X14 DIN 6921 8G	
17	35211050		SEEGER RING E 5 UNI 7434	
18	59056748Z		COMPLETE STOP LEVER PS GALV.	
19	38211400		OIL SEAL 14X22X4	
20	52456220		DISTRIBUTOR	
21	58056221		SPRING	
22	56356747		PUMP RECEPTOR PS/14	
23	56156224		SHIELD	
24	31152060		SCREW TCEI M6X30 UNI 5931	
25	56456657		VALVE	
26	56156658		VALVE INSERT/INLET	
27	58056683		SPRING	
28	56356242		PLUG	
29	52456235		PUMP GEAR	





 [Click for info](#)

★ = new part

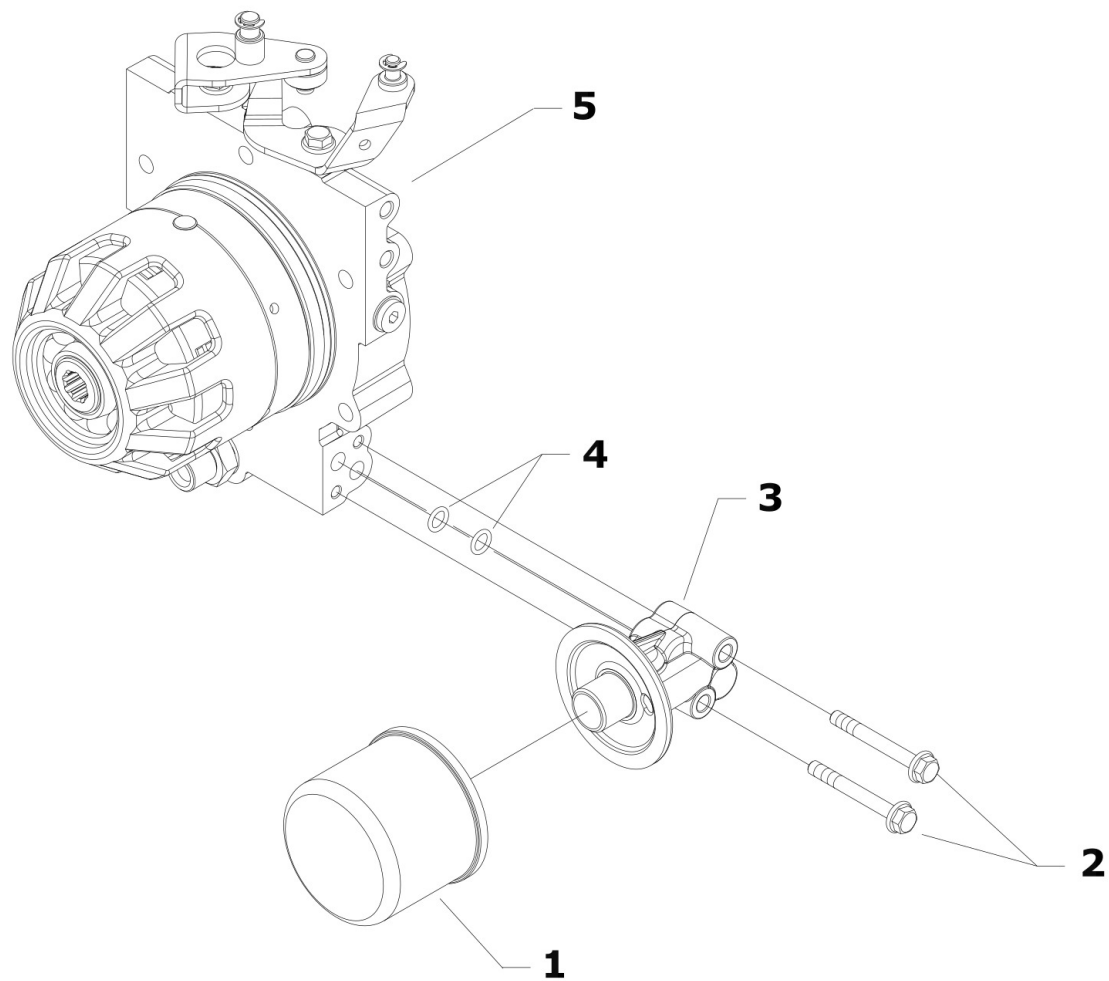


BCS Motor mowers, BCS 2-wheel tractors - 630 WS PS

C.01.01.A0039_00 - CYLINDER AND POWERSAFE CLUTCH

Pos.	Id	Q.ty	Description	Note
1	38118859		O-RING OR 3375 (94,92X2,62)	
2	56356216		RING	
3	37161500		BEARING 51110 (50X70X14)	
4	56156247		PIN	
5	56556213		SPRING	nr.4
6	52456694		CLUTCH HOUSING	
7	37141253		BEARING 7305-BJP OBL 25x62x17	
8	53156210		SUMP	
9	38120501		RING PTFE PRP 01A02-0500-A-32	
10	53156218		PISTON	
11	38140851		RING PTFE PRP02A02-0850-A-32-N	





 [Click for info](#)

★ = new part

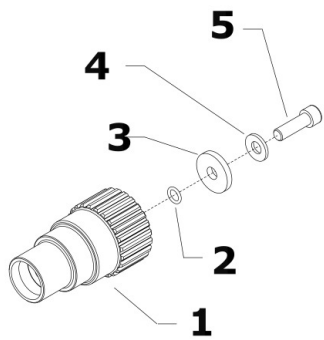


BCS Motor mowers, BCS 2-wheel tractors - 630 WS PS

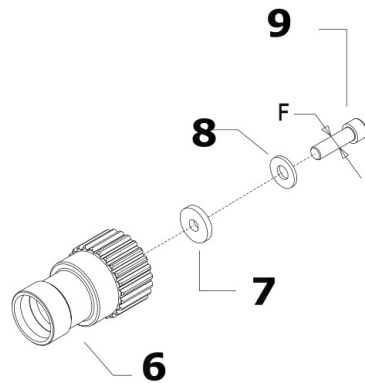
D.01.02.A0042_00 - POWERSAFE FILTER AND UNIT

Pos.	Id	Q.ty	Description	Note
1	58056208		HYDRAULIC OIL FILTER	
2	31112099		SCREW TE C/F M6X50 DIN 6921 8G	
3	53156209		CONNECTION	
4	38110873		O-RING 108 (8,73X1,78)	
5	59256035		POWERSAFE CLUTCH ASSY Q19	GP160 - GX200
5	59256036		POWERSAFE CLUTCH	GX270
5	59256037		CLUTCH FOR POWERSAFE Q25.4 (3/8)	GX340
5	59256038		POWERSAFE CLUTCH	KD350 - L100

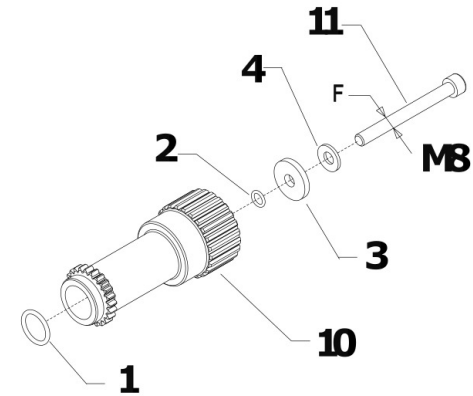




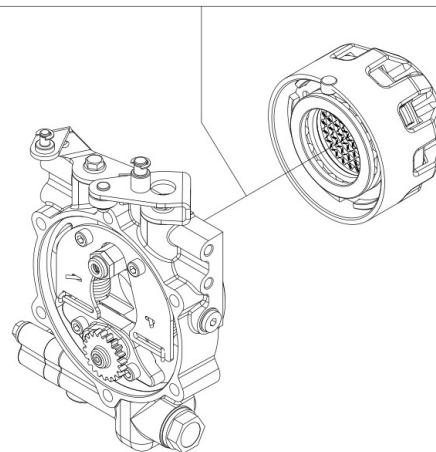
GP160-GX200



GX270-340 F=38'-24X1''-UNF



KD350-L100



i = info - stop 2 sec. ★ = new part

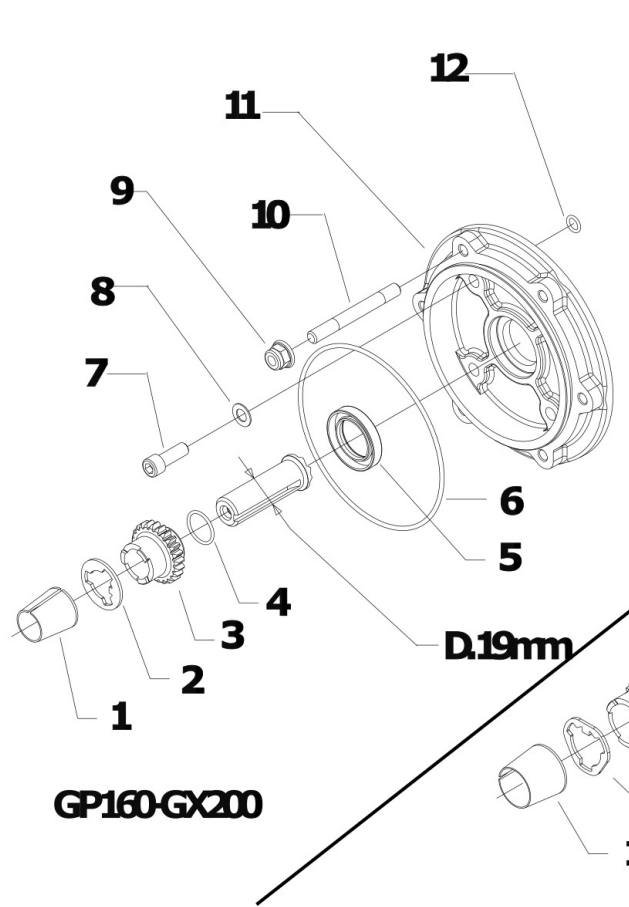


BCS Motor mowers, BCS 2-wheel tractors - 630 WS PS

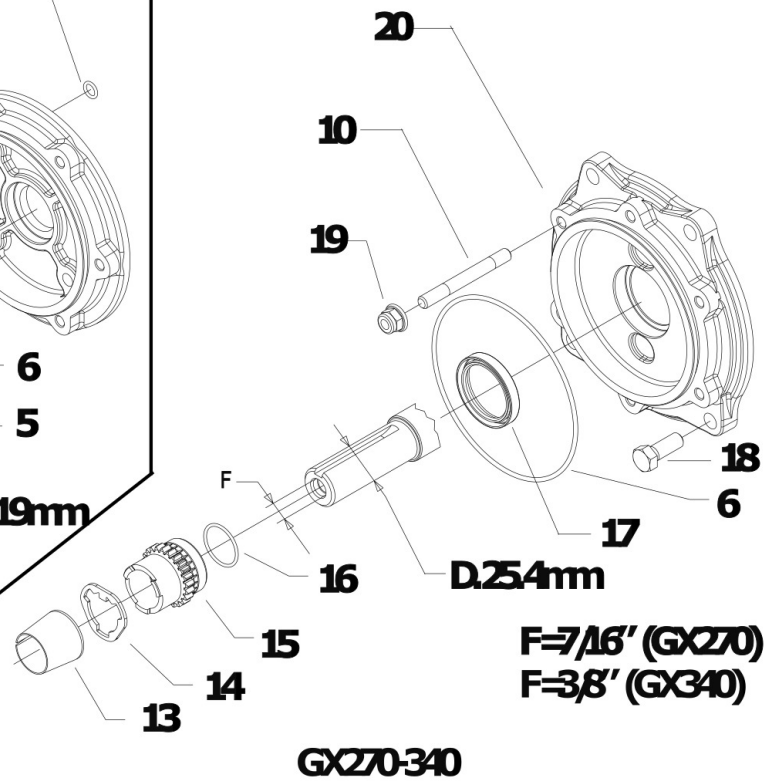
E.01.02.A0041_00 - POWERSAFE CLUTCH HUB

Pos.	Id	Q.ty	Description	Note
1	52456234		HUB Q19	
2	38110675		O-RING 106 (6,75X1,78)	
3	56156288Z		SPECIAL WASHER SP.4	
4	31421083		WASHER	
5	31100023		SCREW 5/16-24 X 1 UNF 8G	
6	52456233		HUB Q25	
7	56156743		WASHER 30X11.5X3	GX270
7	561C0421		WASHER	GX340
8	31421101		WASHER 10 DIN 679	GX340
8	31421130		WASHER	GX270
9	31100032		SCREW TCCEI 7/16-20 X 1-1/2	GX270
9	31100033		SCREW TCCEI 3/8-24 X 1-1/2	GX340
10	52456245		HUB	
11	31152090		SCREW TCEI M8x80 UNI5931	

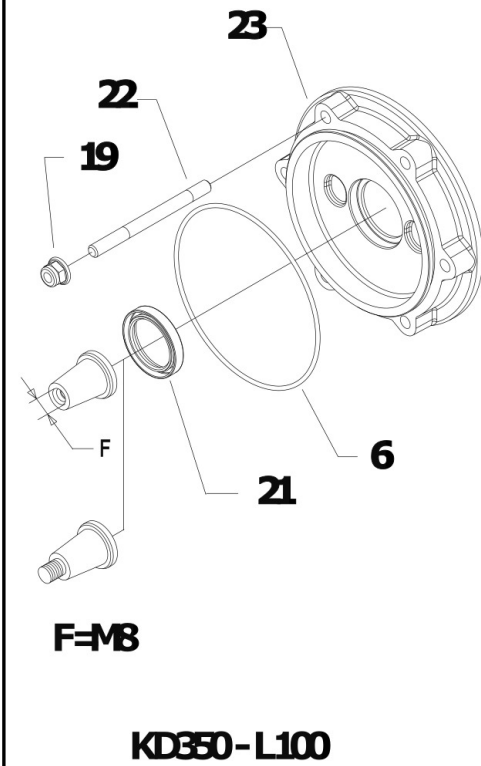




GP160-GX200



GX270-340



KD350-L100

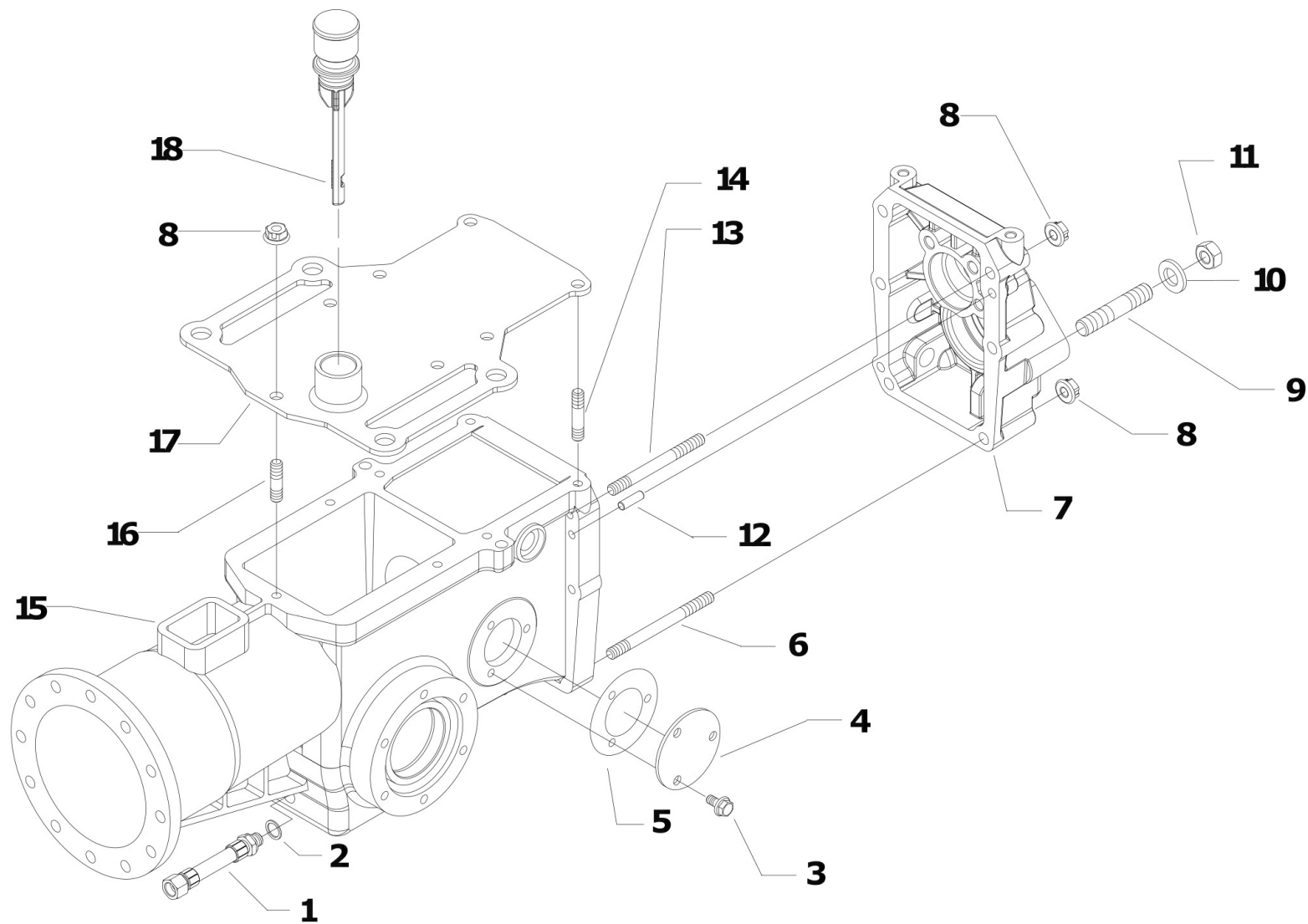
 [Click for info](#)

★ = new part



Pos.	Id	Q.ty	Description	Note
1	56156276		SLEEVE D.19	
2	56356240		TRANSMISSION	
3	52456237		PUMP GEAR	
4	F0803067000		O-RING 2075 (18,77X1,78)	
5	38212500		OIL SEAL 25X40X7	
6	38119823		O-RING 3450 (113,97x2,62)	
7	31104022		SCREW TCEI 5/16X7/8 UNF 12K	
8	31423084		SPRING WASHER 8,4	
9	31241083		SELFLOCK NUT M8	
10	31312073		STUD BOLT M8X73X14X20 8G	
11	53156206		ENGINE FLANGE Q19	
12	38110873		O-RING 108 (8,73X1,78)	
13	56156281		CENTRING BUSH D.25,4	
14	56356239		FEEDER Q25	
15	52456236		PUMP GEAR	
16	F0803075500		O-RING 2100 (25,12X1,78)	
17	38213500		OIL SEAL 35X47X7	
18	31100015		SCREW TE 3/8X1	
19	31241083		SELFLOCK NUT M8	
20	53156205		ENGINE FLANGE Q25	
21	38213202		OIL SEAL 32X45X7	
22	31312097		STUD BOLT M8X98X16X28 8G	
23	53156207		ENGINE FLANGE	





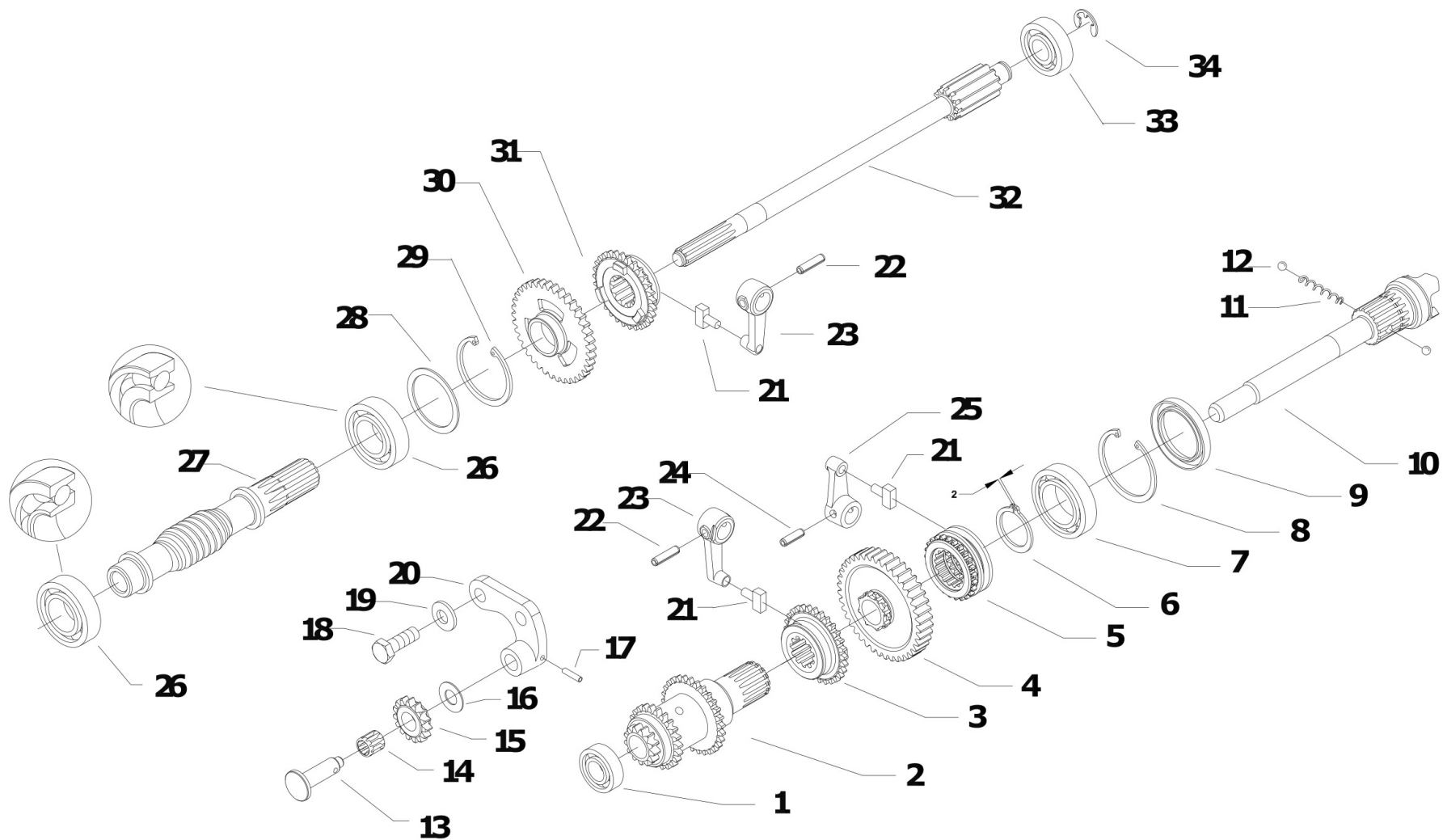
 [Click for info](#)

★ = new part



Pos.	Id	Q.ty	Description	Note
1	59056244		SUCTION PIPE	
2	31480184		COPPER WASHER 16,7x22/1,5	
3	31112083		SCREW M6X12	
4	56147520Z		COVER	
5	58056447		GASKET	
6	31312085		STUD BOLT M8X80X28X16	
7	53156332N		REAR COVER	
8	31241084		SELFLOCK NUT M8 6S	
9	31312125		STUD BOLT 64XM12X1,25X26XM12X30 8G	
10	31421132		WASHER 13X24X2,8	
11	31221121		NUT M12X1,25	
12	58043053		CYLINDRICAL PLUG	
13	31312084		STUD BOLT M8X58X16X16	
14	31312088		STUD BOLT M8X40X14X14	
15	53156202N		BOX CASING	
16	31312078		STUD BOLT M8X32X14X14	
17	59057831N		PLATE	
18	59256762		OIL CAP M COMPLETE	





 [Click for info](#)

★ = new part



BCS Motor mowers, BCS 2-wheel tractors - 630 WS PS

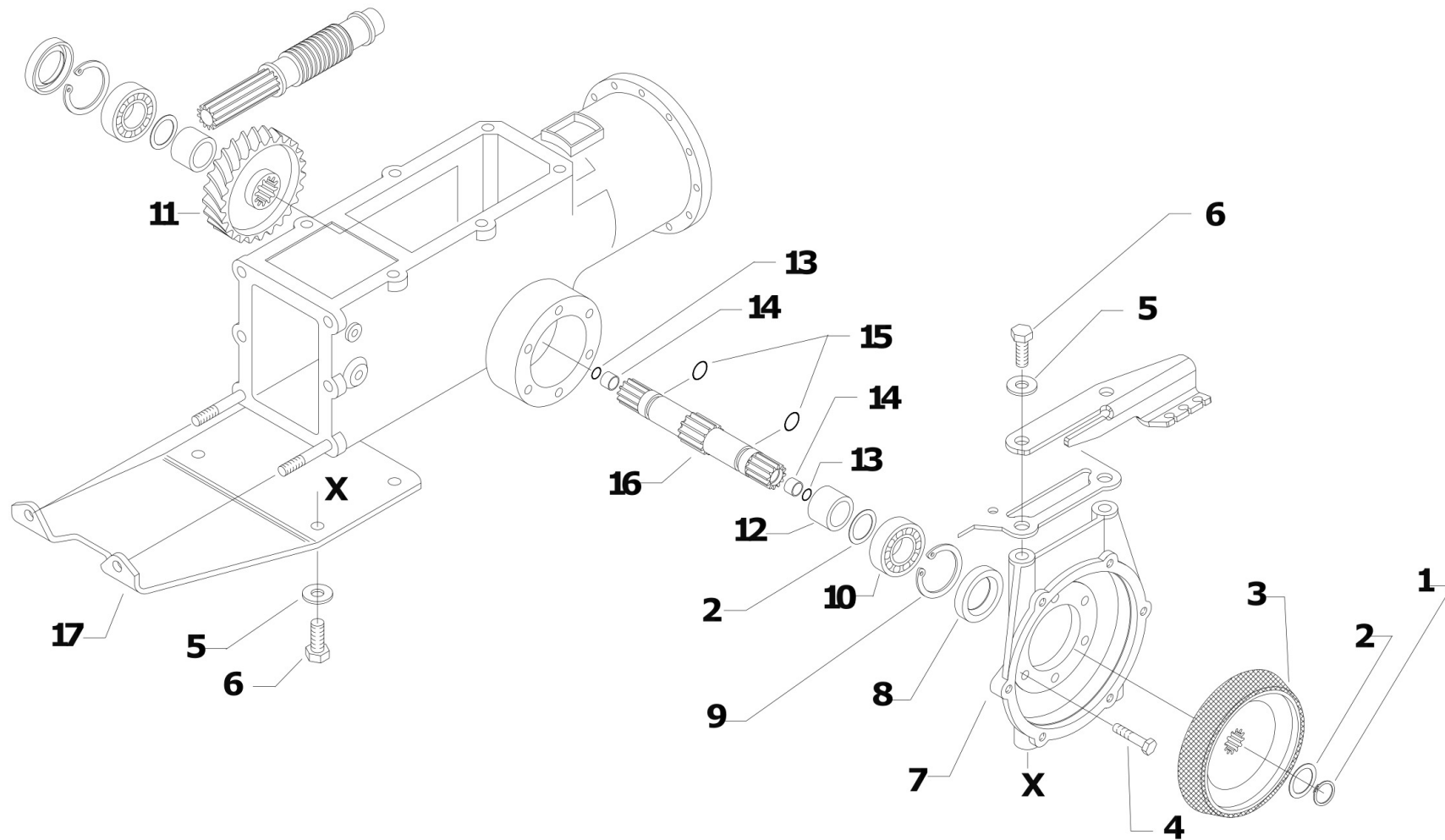
H.04.02.A0041_00 - GEARS

Pos.	Id	Q.ty	Description	Note
1	37111151		BEARING 6202 (15X35X11)	
2	59056383		TRIPLE GEAR	
3	52456370		SLIDER	
4	59056707		GEAR	
5	52456706		PTO COUPLING	
6	35121031		SEEGER RING E 30 UNI 7436	
7	37112229		BEARING 6006 (30X55X13) SKF	
8	35111055		SEEGER RING I 55 DIN 472	
9	38213800		OIL SEAL 38X55X7	
10	52456336		PTO SHAFT L=193	
11	58056391		SPRING	
12	37910832		BALL 1/4	
13	56456736		GEAR PIN	
14	37320120		ROLLER CAGE 12X15/10	
15	56456347		GEAR	
16	56356348		ADJUSTING RING	
17	34211042		ROLL PIN	
18	31112211		SCREW TE M10X30 UNI 5739	
19	31421101		WASHER 10 DIN 679	
20	52456349		GEAR SUPPORT	
21	58043086		SHOE	
22	34213060		ROLL PIN	
23	52456389		LEVER	
24	34213061		ROLL PIN	
25	52456390		LEVER	
26	37141250		BEARING 7205-B OBL SKF	
27	56456477		SCREW 4 DS	
28	56356328		ADJUSTING RING SP=1,5	
28	56356329		ADJUSTING RING SP=1,6	



Pos.	Id	Q.ty	Description	Note
28	56356330		ADJUSTING RING SP=1,7	
28	56356331		ADJUSTING RING SP=1,8	
29	35111053		SEEGER RING I 52 UNI 7438	
30	52456354		GEAR	
31	52456360		SLIDER	
32	52456340		SHAFT	
33	37111152		BEARING 6302 (15X42X13) SKF	
34	35211120		SEEGER RING E 12 UNI 7434	





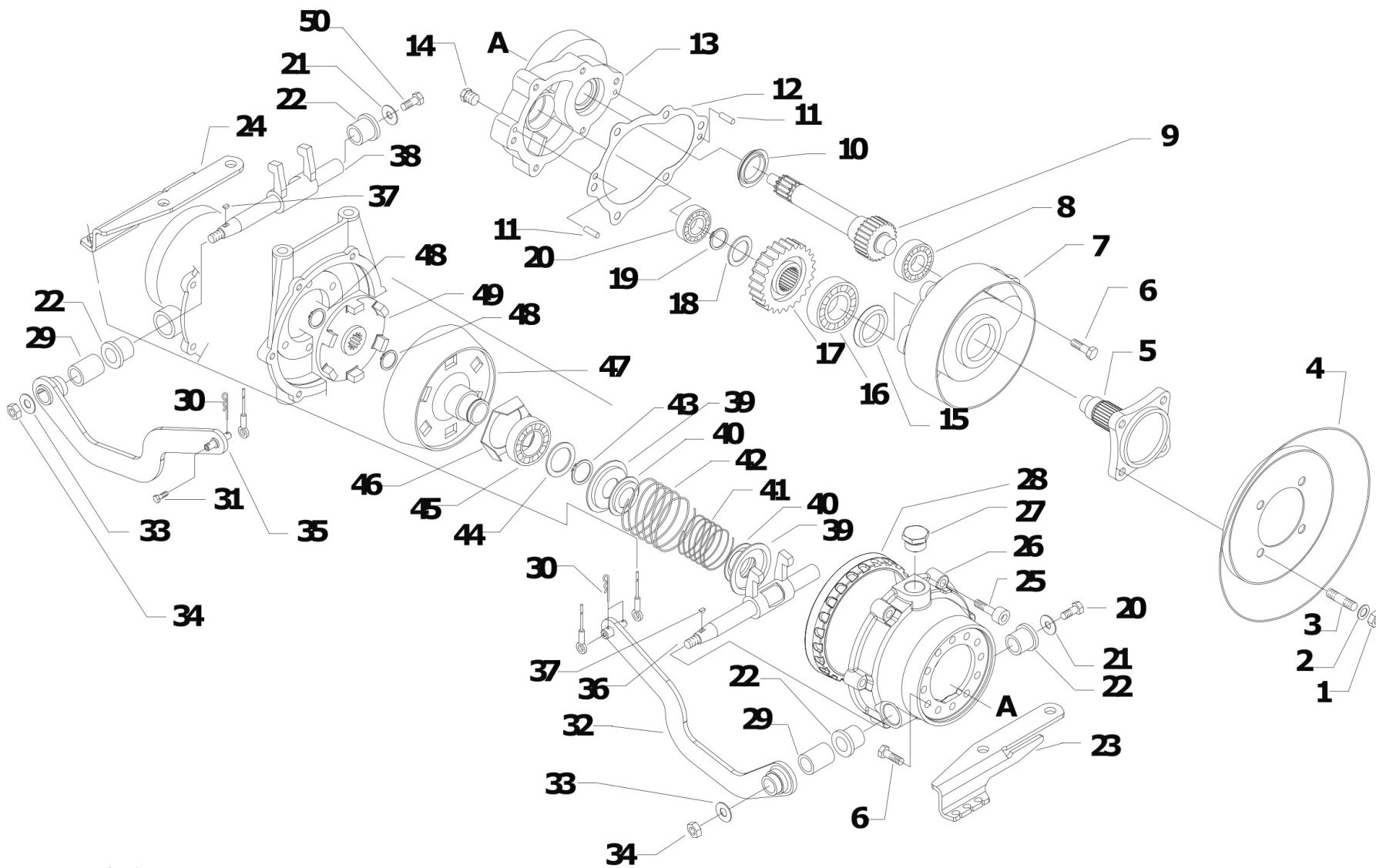
 [Click for info](#)

★ = new part



Pos.	Id	Q.ty	Description	Note
1	35121024		SEEGER RING	
2	58025866		SHIM	
2	58025867		SHIM	
2	58025868		SHIM	
2	58025869		SHIM	
3	59056558		FRICITION CONE	
4	31112167		SCREW TE C/F M8X30 DIN 6921 8G	
5	31421130		WASHER	
6	31112272		SCREW TE M12X30 UNI 5739	TIGHTEN 8.5 kgm
7	51356610		FLANGE	
8	38213503		OIL SEAL 35X52X8	
9	35111052		SEEGER RING I 52 DIN 472	
10	37111250		BEARING	
11	54156482		CROWN WHEEL Z=47 DESTROSA	
12	56156568		SPACER	
13	38111191		O-RING 115 (11,91X2,62)	
14	30030011		BUSHING 12X14X10	
15	38111800		O-RING 4075 (18,64X3,53)	
16	56456569		OUTPUT SHAFT	
17	56157834		REINFORCED PLATE	





 [Click for info](#)

★ = new part

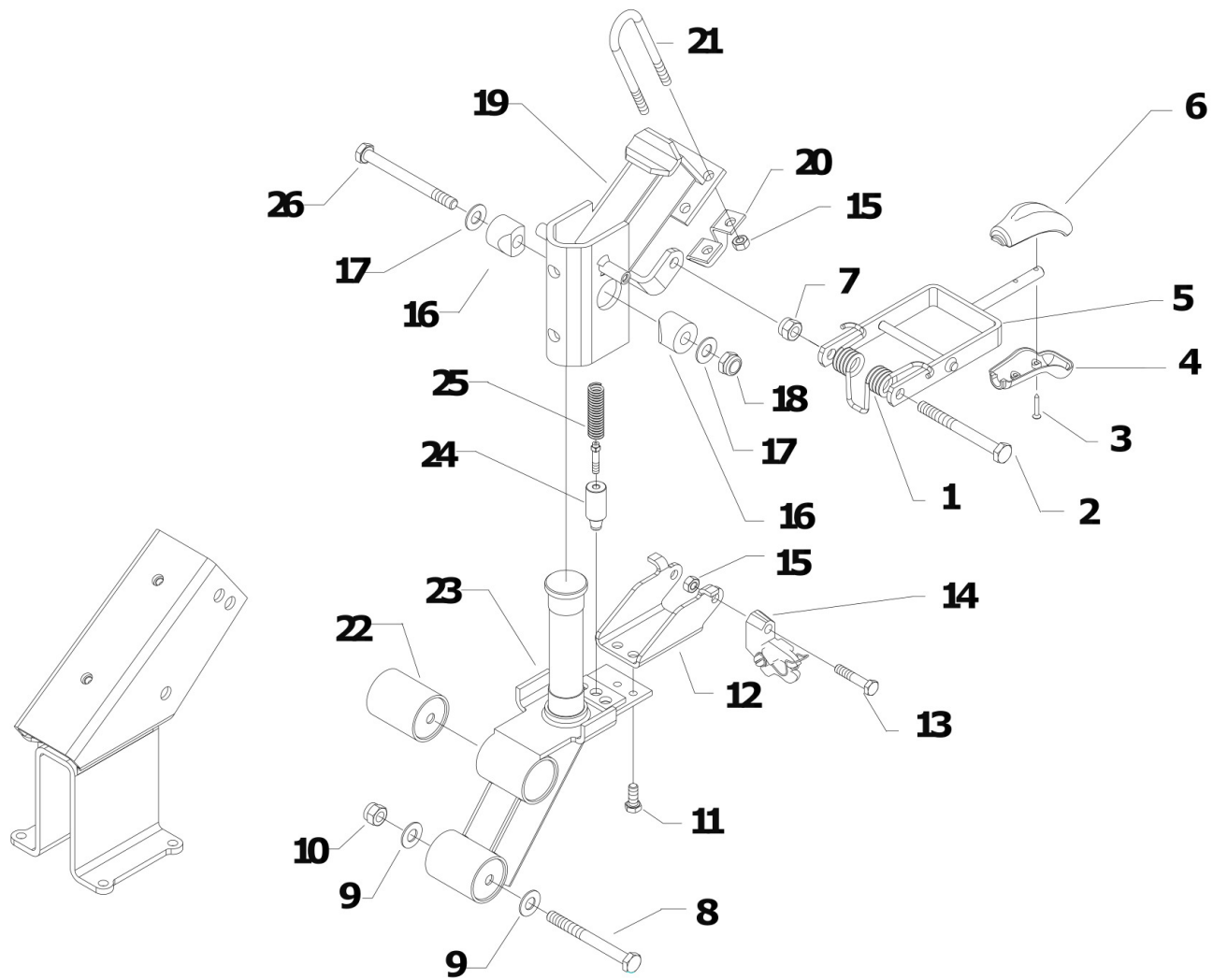


Pos.	Id	Q.ty	Description	Note
1	31241100		SELFLOCK HEXAGON NUT M10	
2	31423105		SPRING WASHER 10,5	
3	31312102		STUD BOLT M10X40X24X12	
4	56157807N		BOTTOM	
5	52456560		AXLE SHAFT	
6	31112166		SCREW TE C/F M8X25 DIN 6921 8G	
7	53257808N		COVER	
8	37111201		BEARING 6204 (20X47X14)	
9	52456556		SHAFT	
10	38213003		OIL SEAL 30X47X7	
11	58043053		CYLINDRICAL PLUG	
12	580C0147		SHEATH	
13	53256553N		FLANGE	
14	30040001		PLUG 1/4 UNI 364	
15	38214001		OIL SEAL 40X52X7	
16	37111300		BEARING 6206 (30X62X16)	
17	52456564		GEAR Z26	
18	31400190		SHIM	
19	35121026		SEEGER RING E 26 DIN 471	
20	37111200		BEARING 6004 (20X42X12)	
21	31411090		WASHER 9x24	
22	30030018		BUSHING 18x25x25	
23	56156544		SUPPORT	
24	56156543		SUPPORT	
25	31152084		SCREW TCEI M8X35 UNI 5931	
26	53256549N		CLUTCH HOUSING	
27	56356545		SPECIAL SCREW M24	
28	59056547		RING	
29	56156577		SPACER	



Pos.	Id	Q.ty	Description	Note
30	34110030		SPLIT PIN A3X20 UNI 1336	
31	31111089		SCREW TE M5X10 UNI 5739 8G	
32	59056530N		COMMAND LEVER	
33	31421101		WASHER 10 DIN 679	
34	31211100		NUT M10	
35	59056535N		COMMAND LEVER	
36	59056584		PIN	
37	34311040		KEY 4X6,5 UNI 6606	
38	59056583		PIN	
39	56156566		STOP	
40	56156585		STOP	
41	58047875		SPRING	
42	58047885		COUPLING SPRING	
43	35121030		SEEGER RING E 30 DIN 471	
44	31400192		SHIM PS 30x42/1,5	
45	37112230		BEARING 6006-2RS1 (305513) SKF	
46	56347854		GUARD	
47	52356559		FRICTION CONE	
48	35121024		SEEGER RING	
49	52456567		DISC	
50	31112150		SCREW TE M8X20 UNI 5739 8G	





 [Click for info](#)

★ = new part

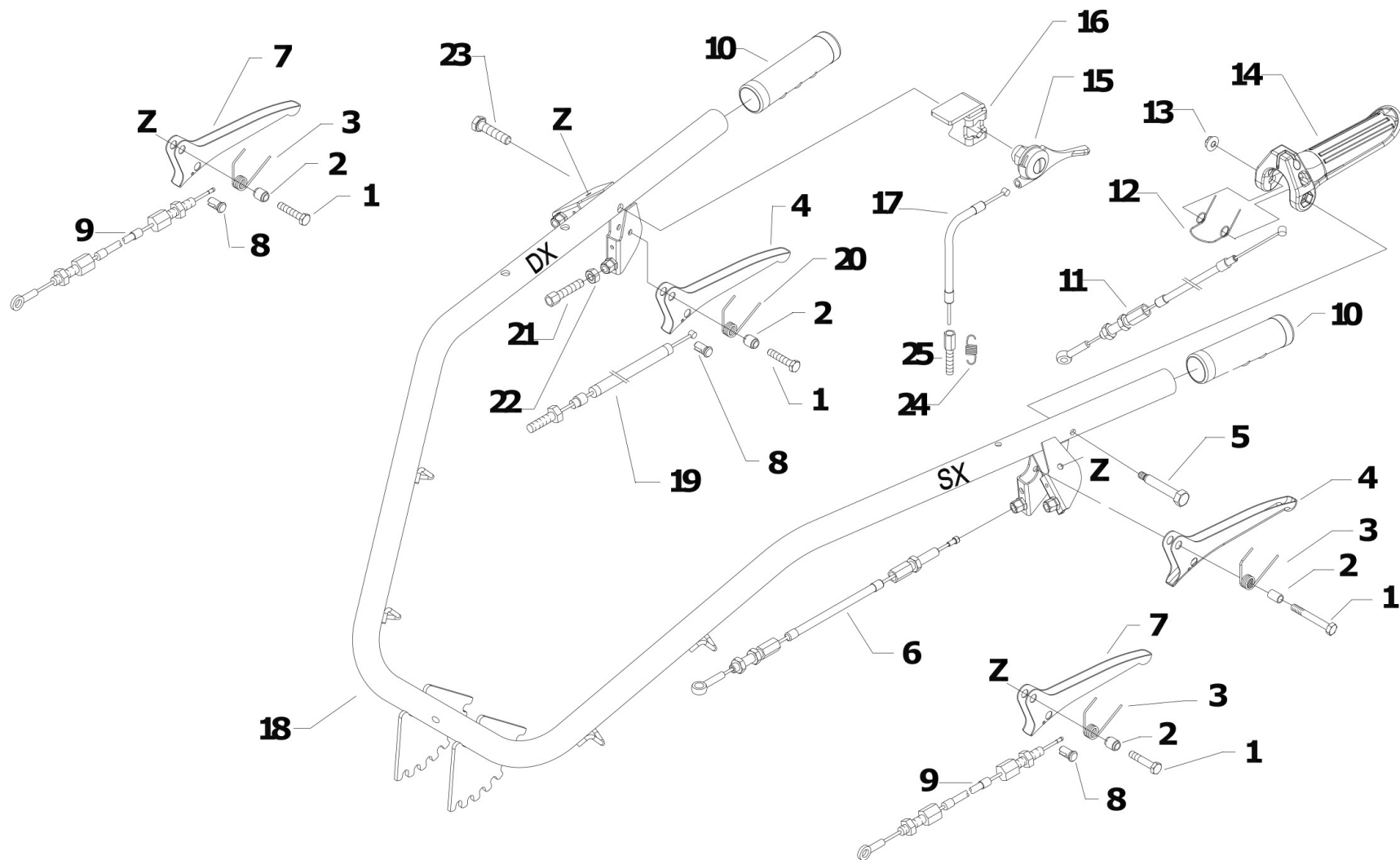


BCS Motor mowers, BCS 2-wheel tractors - 630 WS PS

J.03.02.A0041_00 - STEERING COLUMN

Pos.	Id	Q.ty	Description	Note
1	58056942Z		HANDLEBAR UNLOCKING SPRING	
2	31111229		SCREW TE M10X110 UNI 5737 8G	
3	31100451		SCREW 3,5X25	
4	55157213		GRIP	
5	59057010N		LEVER	
6	55157212		GRIP	
7	31241100		SELFLOCK HEXAGON NUT M10	
8	31112295		SCREW TE M12X90 UNI 5737	
9	31423130		SPRING WASHER EL 13 DIN 137-B	
10	31241121		SELFLOCK NUT M12	
11	31112081		SCREW TE C/F M6X20 DIN 6921 8G	
12	59256880		CONNECTION	
13	31112165		SCREW TE C/F M8X35 DIN 6921 8G	
14	59243337		ROD SUPPORT WITH SPRING	
15	31241080		HEXAGON SELFLOCK NUT M8	
16	52156917		WEDGE	
17	31421100Z		CUP SPRING 25X12,2X1,5 D2093	
18	31241126		SELFLOCK NUT M12	
19	59056875N		COLUMN	
20	56156948		STOP	
21	56156940		U BOLT	
22	30010120		SILENT-BLOCK 12X40X58X66	
23	59056886		COLUMN	
24	56356924		FERRULE	
25	58056918		SPRING	
26	31112293		SCREW TE M12X80 UNI 5737	





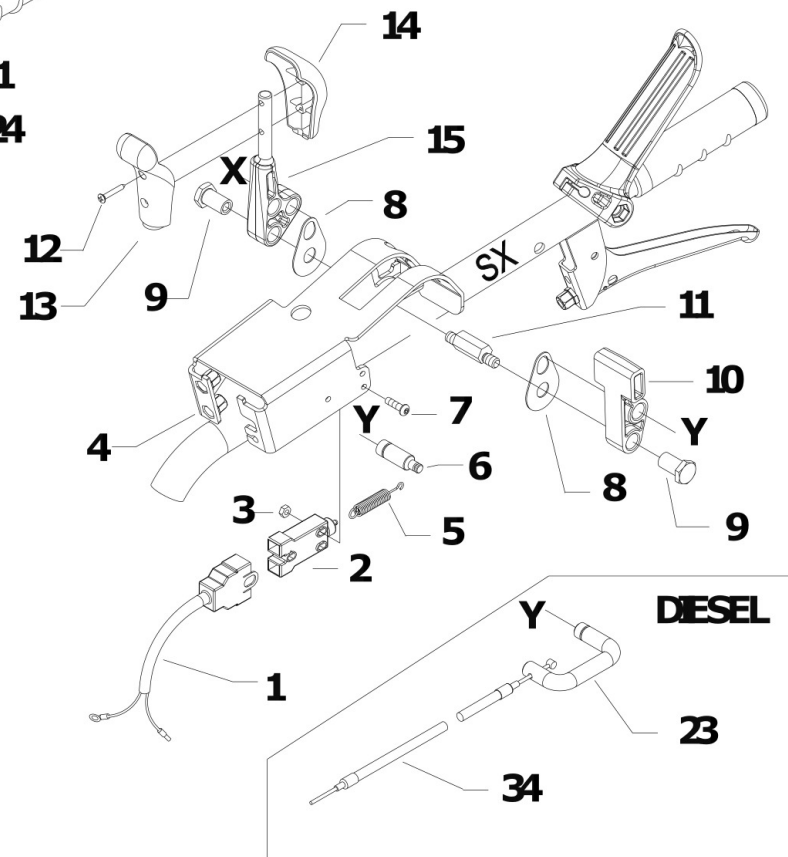
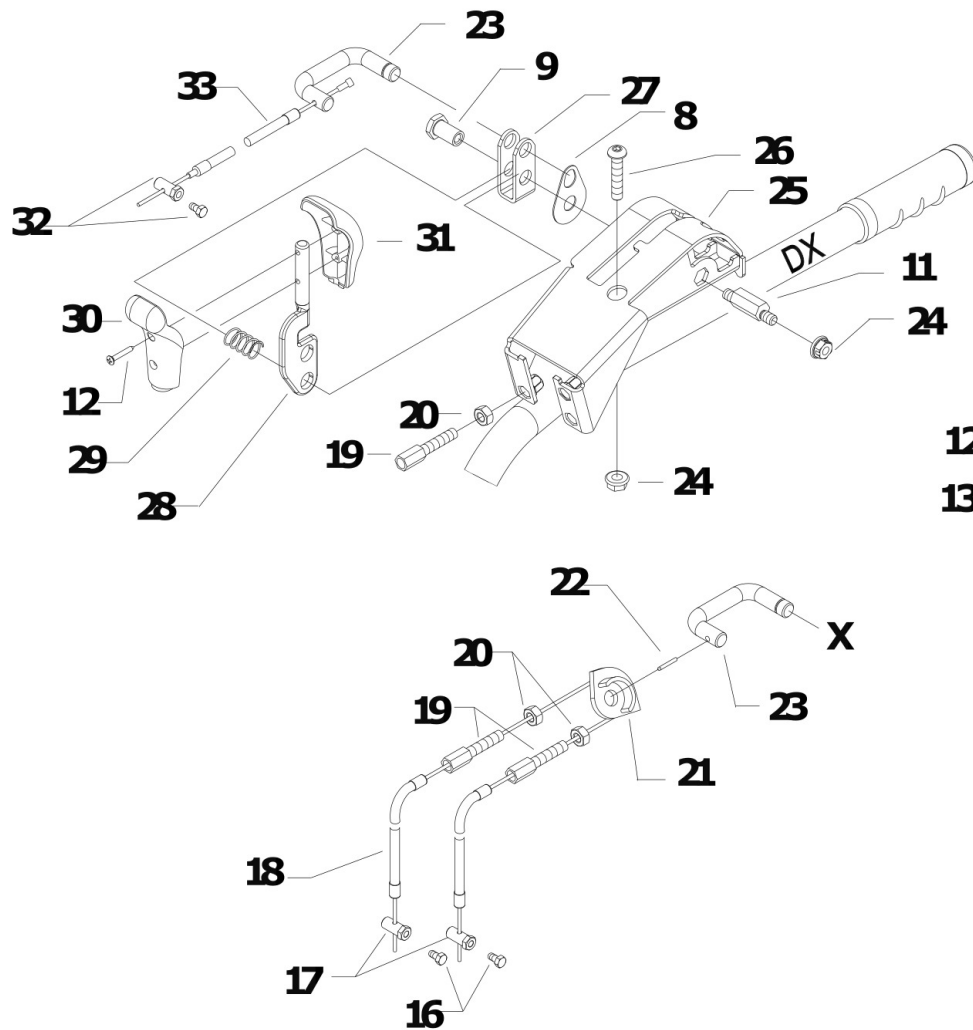
 [Click for info](#)

★ = new part



Pos.	Id	Q.ty	Description	Note
1	31112089		SCREW TE M6X25 UNI 5739 8G	
2	56156603Z		SPACER	
3	58056605		SPRING	
4	56148470N		LEVER	
5	56356184Z		LEVER PIN	
6	58056523		LINE L=1490	
7	56156604N		CLUTCH LEVER	
8	58150313		CABLE CLAMP	
9	58056580		TRANSMISSION	
10	58048000		KNOB D=27	
11	58056524		LINE L=1560	
12	58056186Z		SPRING	
13	31241065		SELFLOCK NUT M6	
14	55256185		LEVER	
15	58002538		ACCELERATOR	
16	56156874N		PANEL	
17	58026222		LINE AND SHEATH (L=1380)	L100
17	58056812		LINE AND SHEATH L=1680	GX340
17	58057342		LINE AND SHEATH (L=1470)	KD350
18	59256537		HANDLE BAR	
19	58057211		TRANSMISSION	
20	58056593		SPRING	
21	58056595		ADJUSTING SCREW M8	
22	31211080		NUT M8	
23	31121020		SCREW TBCEI M8X40 ISO7380 10K Z	





 [Click for info](#)

★ = new part



BCS Motor mowers, BCS 2-wheel tractors - 630 WS PS

L.04.02.A0041_00 - HANDLEBAR CONTROLS

Pos.	Id	Q.ty	Description	Note
1	58056837		WIRING	
2	58048009		ENGINE STOP SWITCH	
3	31241042		SELFLOCK NUT M4 FL.6S	
4	59256180		SUPPORT	
5	58047712		SPRING	
6	56156834Z		INDEXING BOLT	
7	31121024		SCREW TBCEI FL.M4X25	
8	56356833Z		SMALL PLATE	
9	56148287		STUD BOLT	
10	55256197		MOTOR STOP LEVER	
11	56356858Z		PIN	
12	31100451		SCREW 3,5X25	
13	55157213		GRIP	
14	55157212		GRIP	
15	53156860		COMMAND LEVER	
16	31112090		SCREW TE M6X16 UNI 5739 8G	
17	56356840Z		CLAMPING SCREW	
18	58056581		LINE AND SHEATH WS (L=2200)	
19	58056595		ADJUSTING SCREW M8	
20	31211080		NUT M8	
21	55256757		PULLEY	
22	34213020		ROLL PIN	
23	56156832Z		U BOLT	
24	31241084		SELFLOCK NUT M8 6S	
25	59256850		SUPPORT	
26	31121020		SCREW TBCEI M8X40 ISO7380 10K Z	
27	56156859Z		FORK	
28	52156810Z		COMMAND LEVER	
29	58049830		SPRING	



BCS Motor mowers, BCS 2-wheel tractors - 630 WS PS

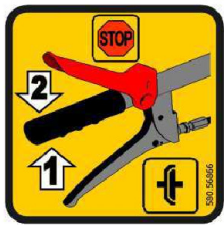
L.04.02.A0041_00 - HANDLEBAR CONTROLS

Pos.	Id	Q.ty	Description	Note
30	55157215		GRIP	
31	55157214		GRIP	
32	58002429		CLAMPING SCREW	
33	58049670		LINE AND SHEATH (L=1080)	
34	58048005		LINE AND SHEATH (L=1170)	L100 - KD350



Pos.	Id	Q.ty	Description	Note
1	31241080		HEXAGON SELFLOCK NUT M8	
2	58057232Z		SPRING	
3	590C1008Z		LEVA CAMBIO MF 4+3 C.TA/14 ZNT	
4	56356738Z		COMMAND LEVER	
5	58043176		SPRING	
6	37911532		BALL 15/32	
7	34110028		SPLIT PIN A3X15 UNI 1336	
8	31411104		WASHER 10,5x18	
9	55242528		JOINT	
10	31241084		SELFLOCK NUT M8 6S	
11	561C1752H		SELETTORE MARCE MF 630 WS PS	
12	59056975N		SUPPORT	
13	56157429N		CONTRASTO LEVA INVERTITORE MF	
14	31312082		STUD BOLT M8X38X14X20	
15	38211400		OIL SEAL 14X22X4	
16	59057240		LEVER	
17	56157246		STOP	
18	58057247Z		SPRING	
19	34211029		ROLL PIN	
20	590C1040Z		COMPLETE PTO LEVER GALV.	
21	561C1045Z		PTO LEVER	
22	31100451		SCREW 3,5X25	
23	55157213		GRIP	
24	55157212		GRIP	
25	59057366Z		PULL ROD	
26	56157367Z		ROD	

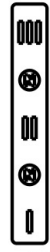




1



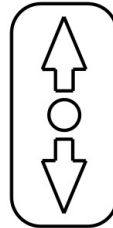
2



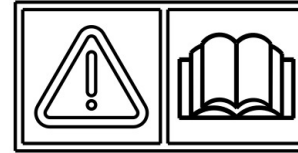
3



4



5



6



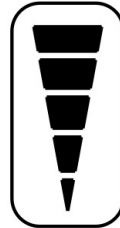
7



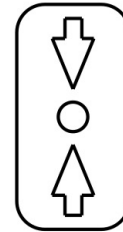
8



9



10



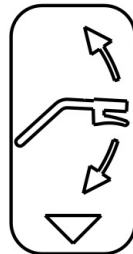
11



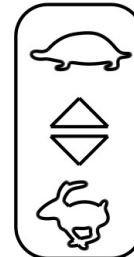
12



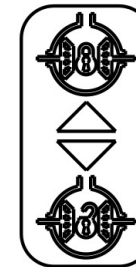
13



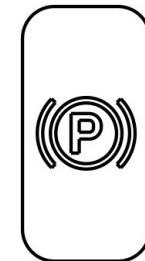
14



15



16



17

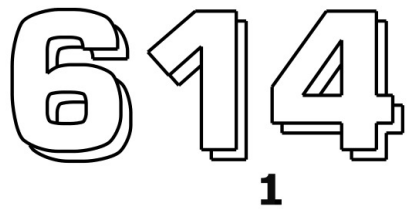
 [Click for info](#)

★ = new part

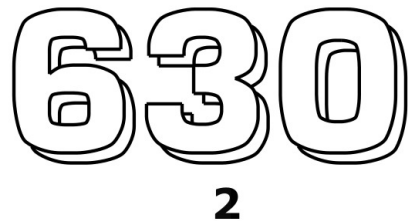


Pos.	Id	Q.ty	Description	Note
1	58056866		DECAL	
2	58057677		DECAL	
3	58057665		ADESIVA 3 MARCE 630 PS	
4	58056869		DECAL	
5	58057748		DECAL	
6	58057724		DECAL	
7	58057767		DECAL	
8	58056868		DECAL	
9	58057774		DECAL	
10	58093089		DECAL	
11	580C1772		ADESIVA INVERTITORE MF 614 PS	
12	58057768		DECAL	
13	530C0056		DECAL MADE IN ITALY	
14	58057746		DECAL	
15	58057773		DECAL	
16	58057625		DECAL	
17	58057747		DECAL	

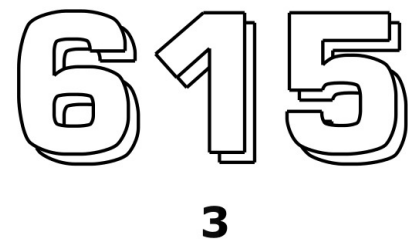




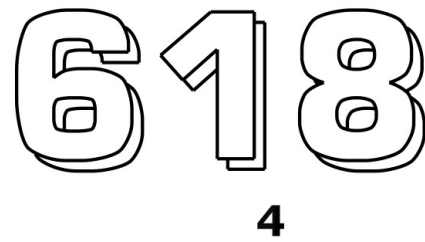
1



2



3



4



7



5



6



8

 [Click for info](#)

★ = new part



Pos.	Id	Q.ty	Description	Note
1	580C1775		ADESIVA 614	
2	58058469		DECAL 630	
3	580C1577		ADESIVA 615 PS	
4	580C1578		ADESIVA 618 PS	
5	53093088		OVAL LOGO	
6	53048656		OVAL LOGO	
7	58058467		DECAL 630WS /11	
8	53058450		SMALL OVAL LOGO	



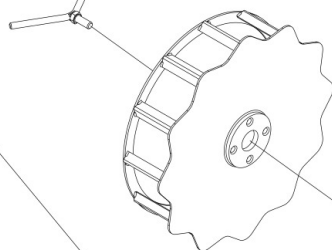
		A	B	C
*	5.0-10"	39115010	39415010	58048330
	21 x 11.0 - 8"	39113501	TUBELESS	58057795
**	20 x 8.00 - 10"	39116018	39416018	58044804
	23 x 8.5 - 12"	39118522	39416018	592C0453

KIT GEMELLAGGIO PER 5.0-10"
 TWINNING KIT FOR 5.0-10"
 JUMELAGE KIT POUR 5.0-10"
 KT GEMELOS POR 5.0-10"
 ZWILLINGS KIT 5.0-10"

* SUPERBITE

(50-10') 9

14



11

10

3

2

1

13

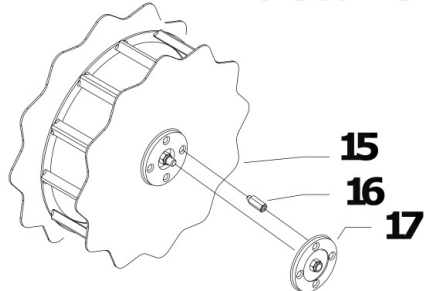
12

7

8

** SUPERBITE

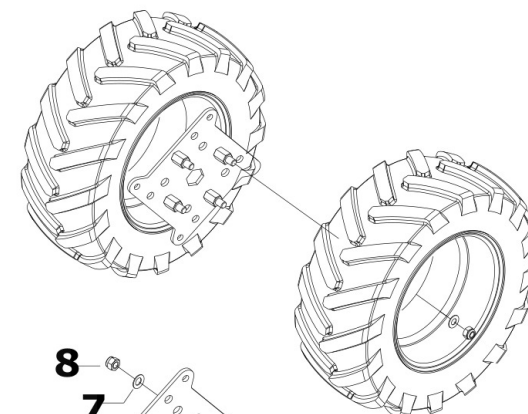
20x800-10'



15

16

17



8

7

1

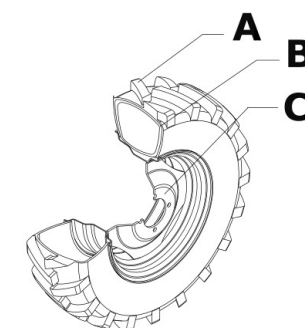
2

3

6

5

4



A

B

C



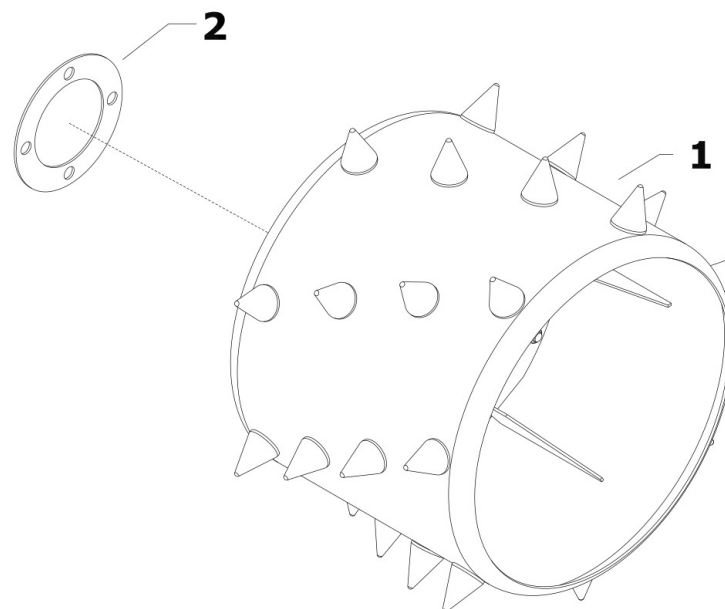
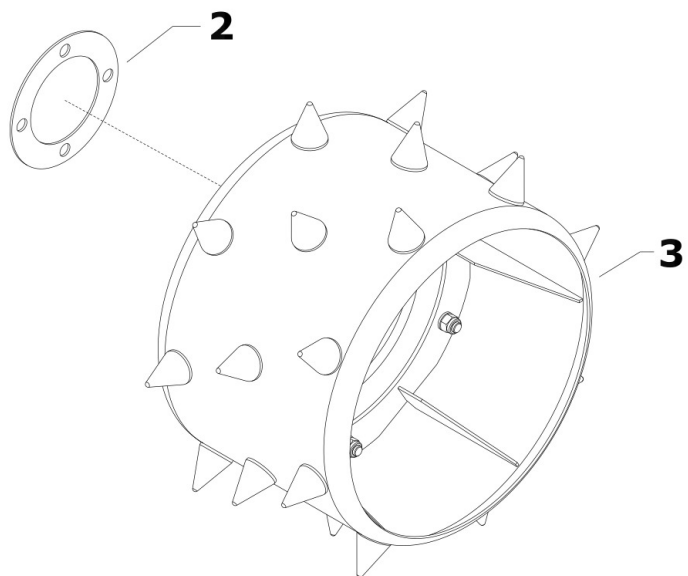
[Click for info](#)

★ = new part



Pos.	Id	Q.ty	Description	Note
1	31241080		HEXAGON SELFLOCK NUT M8	
2	31423084		SPRING WASHER 8,4	
3	31112151		SCREW TE M8X25 UNI 5739 8G	
4	31241100		SELFLOCK HEXAGON NUT M10	
5	31423105		SPRING WASHER 10,5	
6	56359554		PIN	
7	31423130		SPRING WASHER EL 13 DIN 137-B	
8	31241120		SELFLOCK NUT M12	
9	59259555		SUPER-BITE WHEEL X 5.00-10	
10	31421101		WASHER 10 DIN 679	
11	31112219		SCREW TE M10X25 UNI 5739	
12	59059551		FLANGE	
13	56359553		PIN	
14	59059561		SCREW	
15	59259598		WHEEL	
16	56359593		DRIVING PIN	
17	59059591		SPACER	





 [Click for info](#)

★ = new part



Pos.	Id	Q.ty	Description	Note
1	581C0463		RUOTA ARTIGLIATA D.525x370 SX	
1	581C0464		RUOTA ARTIGLIATA D.525x370 DX	
2	56156487N		SPACER 3.50-8	
3	581C0458		RUOTA ARTIGLIATA D.500x290 DX	
3	581C0459		RUOTA ARTIGLIATA D.500x290 SX	

