



FERRARI Motor mowers, FERRARI 2-wheel tractors

530S GRIFON

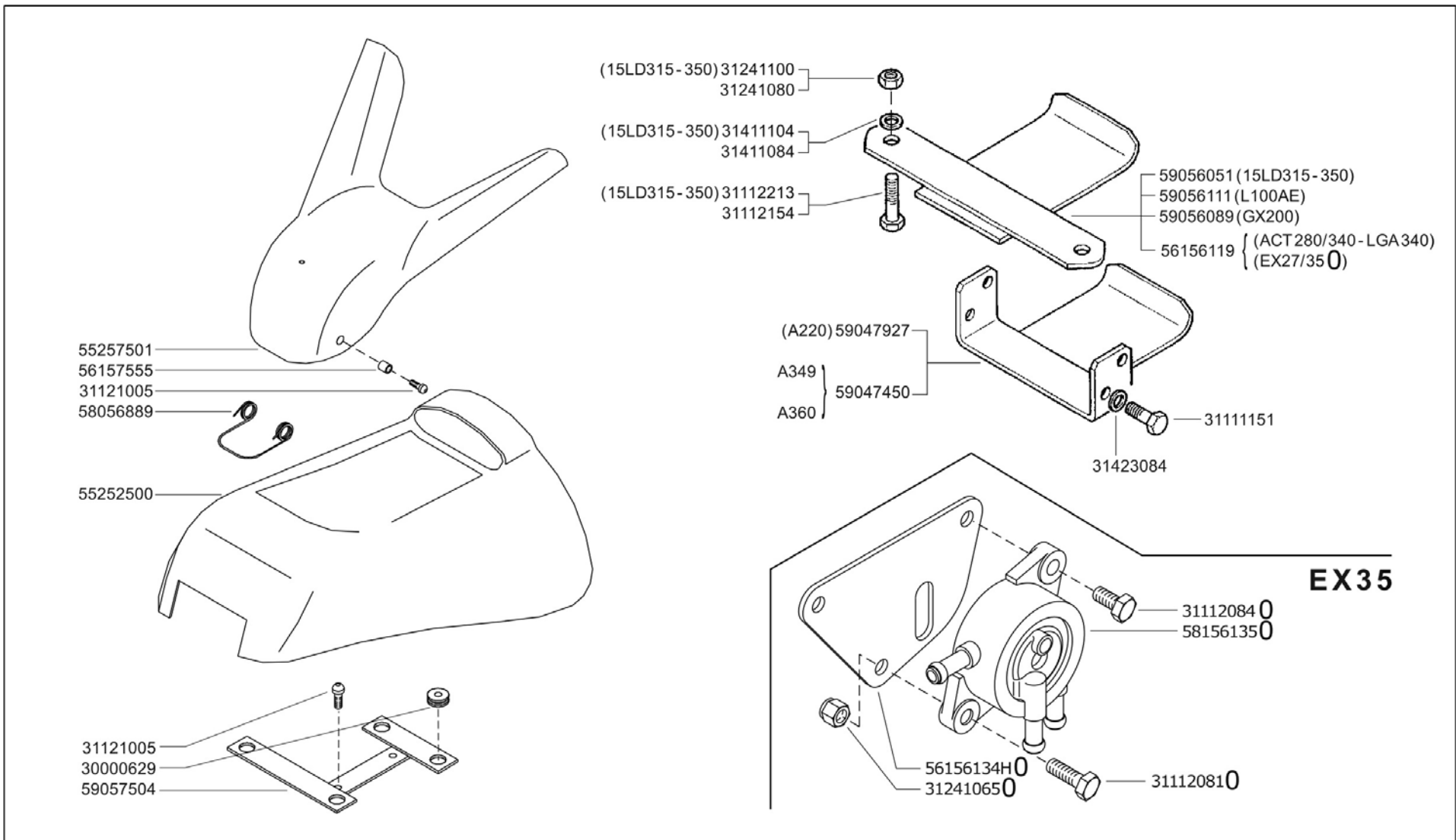


Id	Description
C02_0_22484	BODY
C02_1_59797	BODY
C02_2_72836	BODY
C.02.02.A0011_03	BODY
D01_0_22506	CLUTCH
D01_1_27654	CLUTCH
D01_2_33546	CLUTCH
D01_3_59819	CLUTCH
D01_4_72864	CLUTCH
D.01.02.A0019_05	CLUTCH
D.01.02.A0019_06	CLUTCH
D.01.02.A0051_07	CLUTCH
E03_0_22588	GEARBOX
E03_1_22591	GEARBOX
E.03.02.A0011_02	SCATOLA CAMBIO (530S)
F03_0_22685	GEARS
F03_1_34091	GEARS
F03_2_90637	GEARS
F.03.02.A0011_03	GEARS
F.03.02.A0011_04	GEARS
G03_0_22768	WHEEL AXLE
F.03.02.A0011_05	GEARS
G03_1_26956	WHEEL AXLE
G04_0_22793	STEERING CLUTCH
G04_1_27001	STEERING CLUTCH
G.04.02.A0011_02	STEERING CLUTCH
H02_0_22880	STEERING COLUMN
H02_1_59979	STEERING COLUMN
H.02.02.A0011_02	STEERING COLUMN



Id	Description
H.02.02.A0011_03	STEERING COLUMN
I04_0_23054	HANDLEBAR (530S GR - S MUSTER)
H.02.02.A0011_04	STEERING COLUMN
I04_2_33119	HANDLEBAR (530S GR - S MUSTER)
I04_1_23650	HANDLEBAR (530S GR - S MUSTER)
I04_3_73066	HANDLEBAR (530S GR - S MUSTER)
I.04.02.A0011_04	HANDLEBAR
J02_0_23146	CONTROLS
J02_1_34222	CONTROLS
J.02.02.A0011_02	CONTROLS
J.02.02.A0011_03	CONTROLS (520GR_530GR_530S GR)
J.02.02.A0011_04	CONTROLS (520GR_530GR_530S GR)
L01_0_23182	WHEELS
J.02.02.A0011_05	CONTROLS (520GR_530GR_530S GR)
L01_2_60486	WHEELS
J.06.02.A0011_00	HANDLEBAR CONTROLS
L01_1_27708	WHEELS
J.06.02.A0011_01	HANDLEBAR CONTROLS
L01_3_90714	WHEELS
M01_0_23235	STICKERS
M01_1_34253	STICKERS
M01_3_91676	STICKERS
M01_2_67927	STICKERS
M02_3_91699	STICKERS
M02_0_23244	STICKERS
M02_1_34264	STICKERS
M02_2_67938	STICKERS



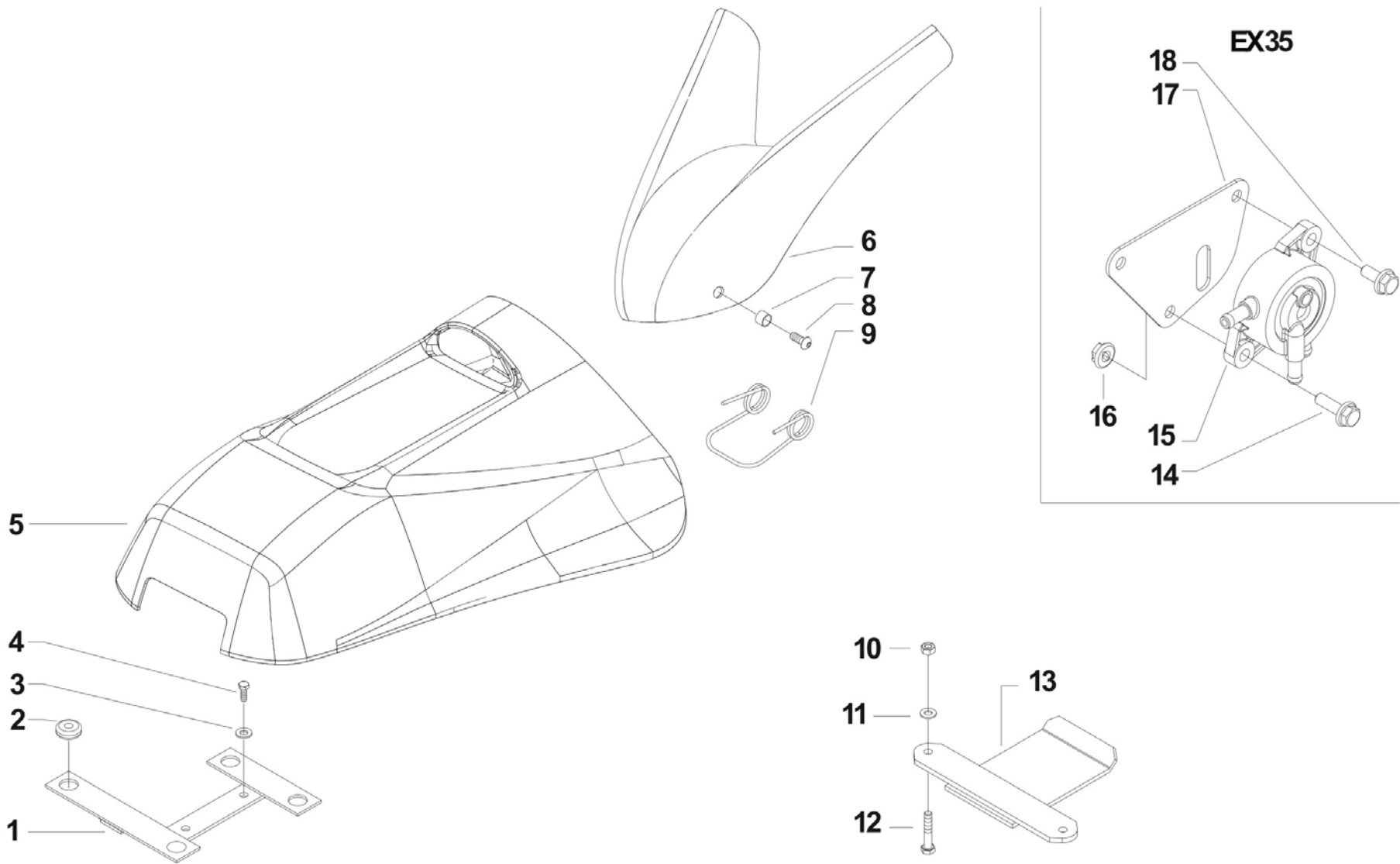


FERRARI	500 serie GRIFON	CARROZZERIA (520 GR - 530 GR - 530S GR - S MUSTER) BODY CARROCERÍA	DALLA MACCHINA DE LA MAQUINA DE LA MACHINE FROM THE MACHINE AB DER MASCHINE ON.	AGGIORNAMENTO	C02	Rev.
				REVISION		2
				MISE A JOUR		
				APLAZAMIENTO		
				ANPASSUNG		03/2010



Pos.	Id	Q.ty	Description	Note
30000629	30000629	1	CABLE GLAND 80/110/30	
31111151	31111151	1	SCREW TE M8X16 UNI 5739 8G	
31112081	31112081	1	SCREW TE C/F M6X20 DIN 6921 8G	
31112084	31112084	1	SCREW TE C/F M6X14 DIN 6921 8G	
31112154	31112154	1	SCREW TE M8X40 UNI 5739 8G	
31112213	31112213	1	SCREW TE M10X40 UNI 5739	
31121005	31121005	1	SCREW TBCEI FLANG. M6X25	
31241065	31241065	1	SELFLOCK NUT M6	
31241080	31241080	1	HEXAGON SELFLOCK NUT M8	
31241100	31241100	1	SELFLOCK HEXAGON NUT M10	
31411084	31411084	1	WASHER 8,4x17	
31411104	31411104	1	WASHER 10,5x18	
31423084	31423084	1	SPRING WASHER 8,4	
55252500	55252500	1	BODYWORK	
55257501	55257501	1	SMALL COVER	
56156119	56156119	1	SHIELD	
56157555	56157555	1	TUBE	
58056889	58056889	1	RETAINING SPRING	
58156135	58156135	1	PUMP	
59047450	59047450	1	SHIELD	
59047463	59047463	1	ENGINE PROTECTION	
59047927	59047927	1	SHIELD	
59056051	59056051	1	SHIELD	
59056089	59056089	1	SHIELD	
59056111	59056111	1	SHIELD	
59057504	59057504	1	HOLDER	
56156134H	56156134H	1	CONNECTION	





Pos.	Id	Q.ty	Description	Note
1	59057504	1	HOLDER	
2	58056991	1	CABLE GLAND 90/200/30	
3	31421083	1	WASHER	
4	31112150	1	SCREW TE M8X20 UNI 5739 8G	
5	55252500	1	BODYWORK	
5	55257501	1	SMALL COVER	
6	56157555	1	TUBE	
7	56157555	1	TUBE	
8	31121005	1	SCREW TBCEI FLANG. M6X25	
9	58056889	1	RETAINING SPRING	
10	31241084	1	SELFLOCK NUT M8 6S	
10	31241100	1	SELFLOCK HEXAGON NUT M10	For motors 15LD315 / 15LD350
11	31411104	1	WASHER 10,5x18	For motors 15LD315 / 15LD350
12	31112213	1	SCREW TE M10X40 UNI 5739	For motors 15LD315 / 15LD350
13	56156119	1	SHIELD	For motors ACT280/ACT340/GX240/GX270/LGA340/EX27/EX35
13	59056051	1	SHIELD	For motors 15LD315 / 15LD350
13	59056089	1	SHIELD	For the engine GX200
13	59056111	1	SHIELD	For the engine L100AE
14	31112081	1	SCREW TE C/F M6X20 DIN 6921 8G	
15	58156135	1	PUMP	
16	31241065	1	SELFLOCK NUT M6	
17	56156134H	1	CONNECTION	
18	31112084	1	SCREW TE C/F M6X14 DIN 6921 8G	

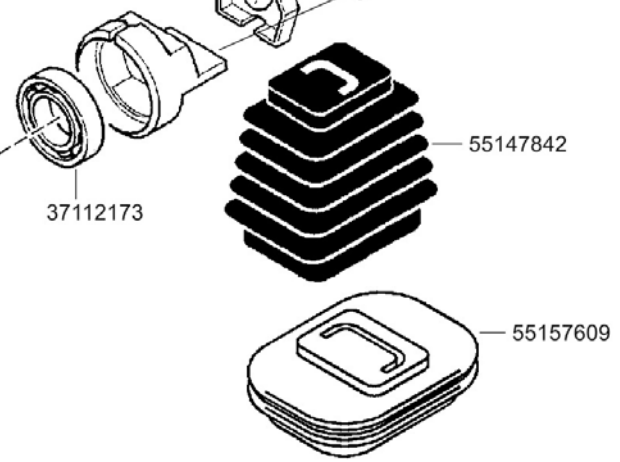
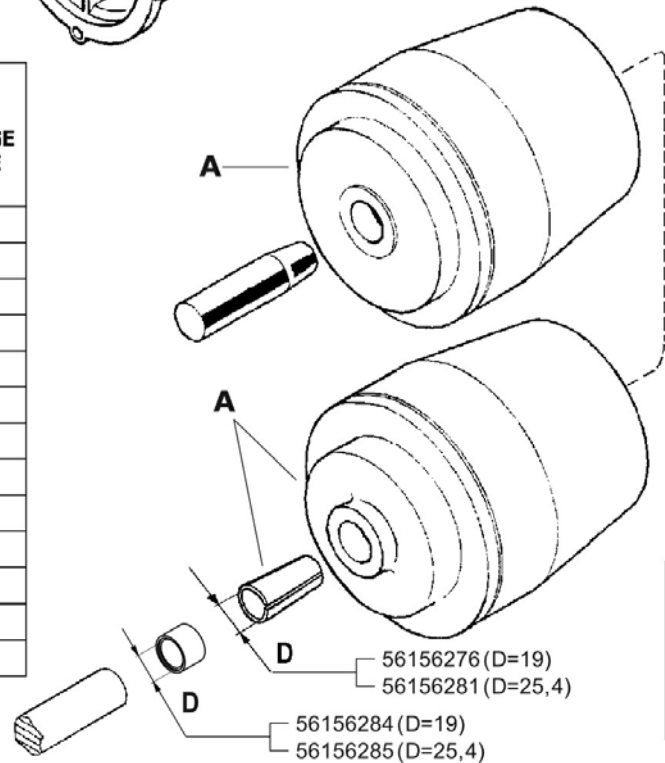


HONDA Gx 120/160/200 31100003
 HONDA Gx240/270/340/390 } 31100015
 SUBARU EX27/35 }
 HONDA Gx240/270/340/390 } 31423084
 SUBARU EX27/35 } 31423105
 HONDA Gx120/160/200 53247488
 HONDA Gx240/270/340/390 } 53156150
 SUBARU EX27/35 }

31312088
 31312083
 31211080
 31241080 ⚡
 31423084

56147845
 50956262
 52447896

MOTORE ENGINE MOTEUR MOTOR MOTOR	FRIZIONE CLUTCH A EMBRAYAGE EMBRAGUE KUPPLUNG
Acme A220	59247884
Acme ACT 280 - A349 - A360	59247884
Acme ACT 340	59247971
Honda Gx 390 - Gx 340 D=25,4	59256280
Honda Gx 240 / 270 D=25,4	59256279
Honda Gx 120 / 160 / 200 D=19	59256275
Lombardini 15LD315 / 350	59247884
Lombardini 15LD500	59247924
Lombardini LGA340	59247971
Subaru EX27 0	59256279
Subaru EX35 0	59256280
Yanmar L100AE	59247971
Yanmar L70AE	59247884

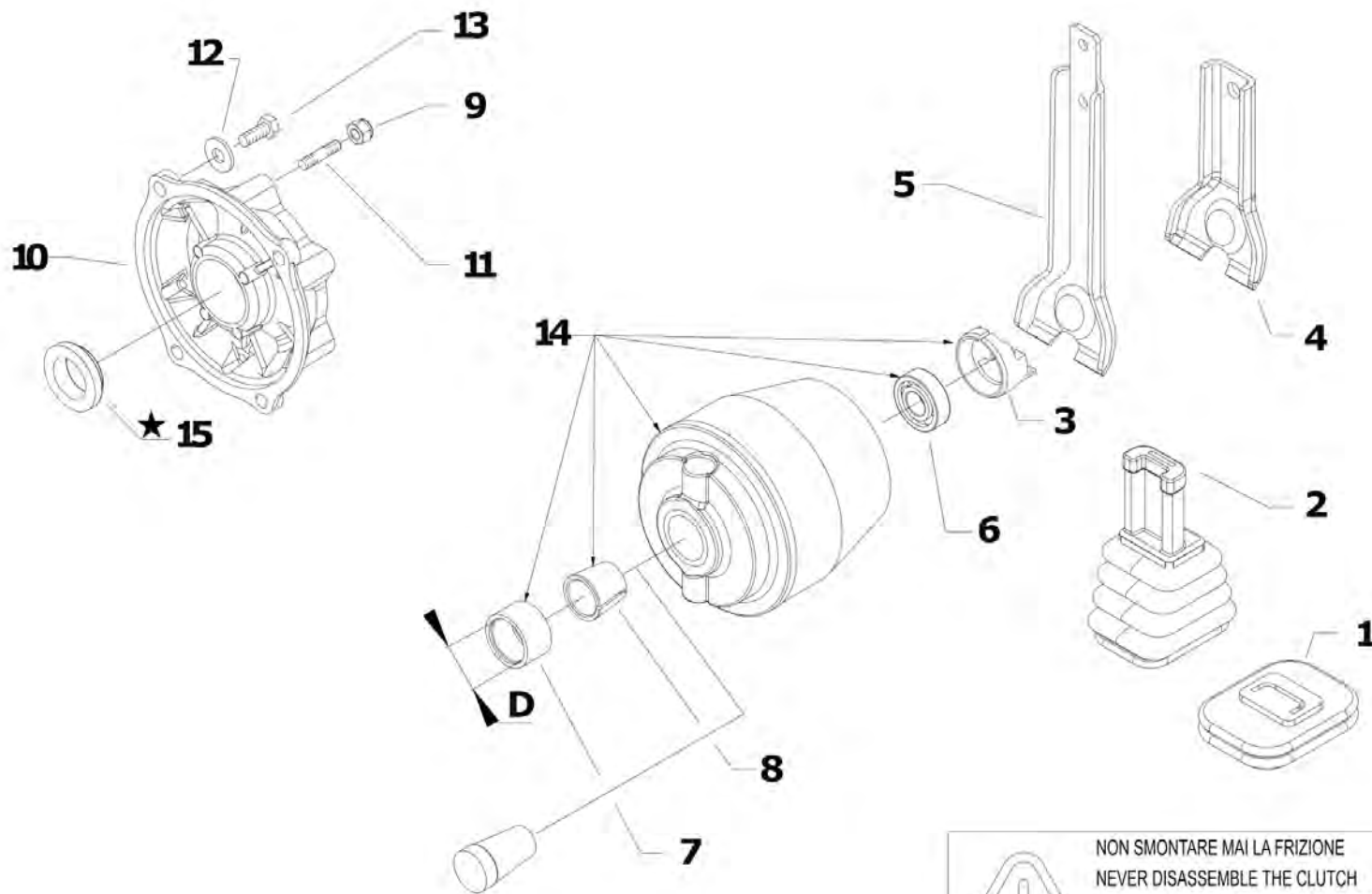


! NON SMONTARE MAI LA FRIZIONE
 NEVER DISASSEMBLE THE CLUTCH
 NE DEMONTER JAMAIS L'EMBRAYAGE
 NIEMALS DIE KUPPLUNG AUSBAUEN
 NO DESMONTAR JAMAS EL EMBRAGUE

FERRARI	500 serie GRIFON	FRIZIONE A CONO AUTOVENTILANTE	CLUTCH EMBRAGUE	EMBRYAGE KUPPLUNG	DALLA MACCHINA DE LA MAQUINA DE LA MACHINE FROM THE MACHINE AB DER MASCHINE	AGGIORNAMENTO	D01	Rev. 4
						REVISION		
					ON.	MISE A JOUR	03/2010	ZEN
						APLAZAMIENTO		
						ANPASSUNG		

Pos.	Id	Q.ty	Description	Note
31100003	31100003	1	SCREW TE 5/16X7/8	
31100015	31100015	1	SCREW TE 3/8X1	
31211080	31211080	1	NUT M8	
31241080	31241080	1	HEXAGON SELFLOCK NUT M8	
31312083	31312083	1	STUD BOLT M8X46X16X16	
31312088	31312088	1	STUD BOLT M8X40X14X14	
31423084	31423084	1	SPRING WASHER 8,4	
31423105	31423105	1	SPRING WASHER 10,5	
37112173	37112173	1	BEARING 6203 DDU7C3EX26 NSK	
50956262	50956262	1	CLUTCH LEVER	
52447896	52447896	1	PRESSURE PLATE	
53156150	53156150	1	ENGINE FLANGE B&S 8HP I/P	
53247488	53247488	1	ENGINE FLANGE H=21	
55147842	55147842	1	BELLOWS	
55157609	55157609	1	BELLOWS	
56147845	56147845	1	CLUTCH LEVER	
56156276	56156276	1	SLEEVE D.19	
56156281	56156281	1	CENTRING BUSH D.25,4	
56156284	56156284	1	SPACER D=19	
56156285	56156285	1	SPACER D25	
59247884	59247884	1	CLUTCH ASSY	
59247924	59247924	1	CLUTCH	
59247971	59247971	1	CLUTCH	
59256275	59256275	1	CLUTCH ASSY	
59256279	59256279	1	CLUTCH ASSY	
59256280	59256280	1	CLUTCH ASSY	



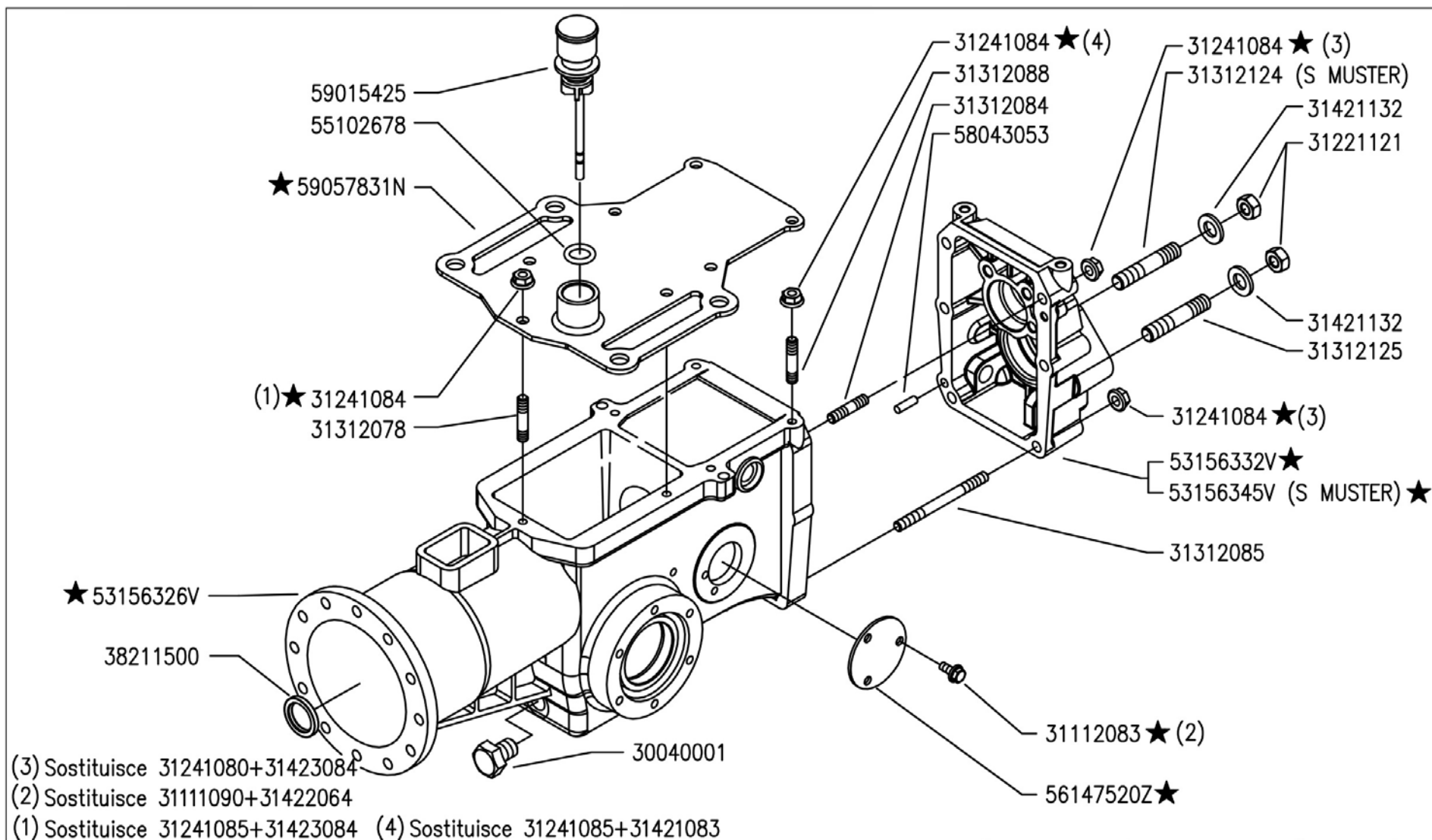


  [Click for info](#)

★ = new part

Pos.	Id	Q.ty	Description	Note
1	55157609		BELLOWS	ELECTRIC STARTING
2	55156481		CLUTCH LEVER BELLOWS	Replaces 55147842 - RECOIL STARTER
3	524C1014		PRESSURE CONE	RECOIL STARTER
4	50956262		CLUTCH LEVER	ELECTRIC STARTING
5	56147845		CLUTCH LEVER	
6	37112173		BEARING 6203 DDU7C3EX26 NSK	
7	56156284		SPACER D=19	
7	56156285		SPACER D25	REPLACE 52447896
8	56156276		SLEEVE D.19	
8	56156281		CENTRING BUSH D.25,4	
9	31241083		SELFLOCK NUT M8	
10	53156150		ENGINE FLANGE B&S 8HP I/P	For engines GX240-GX270-GX340-GX390-EX27-EX35
10	53247488		ENGINE FLANGE H=21	For engines GX120-GX160-GX200-EX21
11	31312083		STUD BOLT M8X46X16X16	
12	31423084		SPRING WASHER 8,4	
12	31423105		SPRING WASHER 10,5	For engines GX240-GX270-GX340-GX390-EX27-EX35
13	31100003		SCREW TE 5/16X7/8	For engines GX120-GX160-GX200-EX21
13	31100015		SCREW TE 3/8X1	For engines GX240-GX270-GX340-GX390-EX27-EX35
14	59247489		CONIC CLUTCH D=23 1 CPL SPRING	REPLACES 59247884 - 15LD315/15LD350 - A220 - ACT280/A349/A360 - L70 - KD350
14	59247513		CONIC CLUTCH D=24 2 SPRINGS	REPLACES 59247924 - 15LD500
14	59247823		CONIC CLUTCH D=23,2 2 SPRINGS	REPLACES 59247971 - L100 - ACT340 - LGA340 - KD440
14	592C1010		CLUTCH D.19 Q(UP TO 9HP)	REPLACES 59256275 - GX120/GX160/GX200 - EX21
14	592C1011		COMPLETE CLUTCH D=25,4 9HP	REPLACES 59256275 - GX240/GX270 - EX27
14	592C1012		CONIC CLUTCH D=25,4 UP 9HP	REPLACES 59256280 - GX340/GX390 - EX35
14	592C1013		FRIZIONE C.TA 1 MOLLA SP. REF.	REPLACES 59256295 - A220 REFORM
15	551C1033		GASKET	





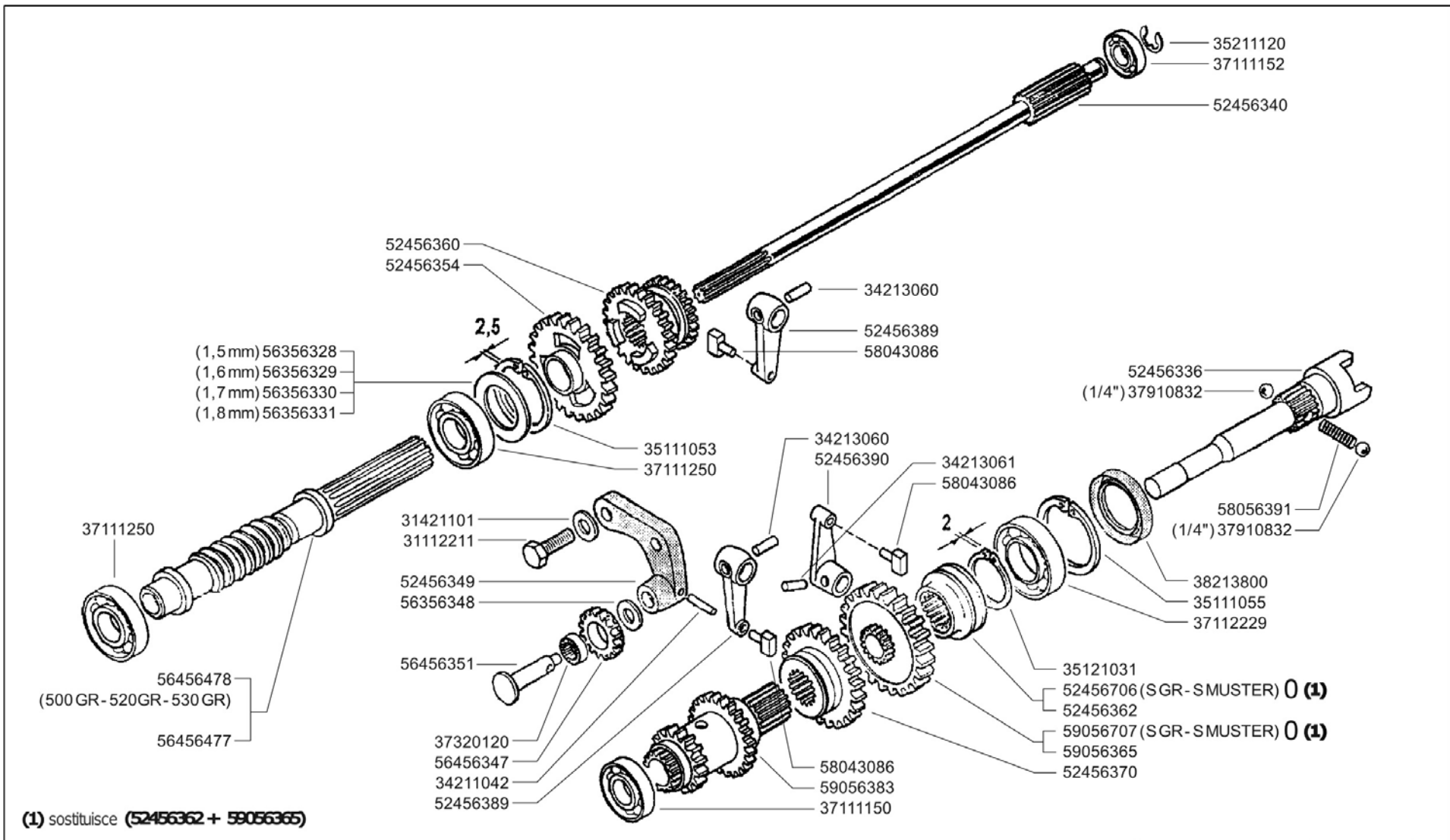
	500 serie GRIFON	SCATOLA CAMBIO (530S GR - S MUSTER)		DALLA MACCHINA DE LA MAQUINA DE LA MACHINE FROM THE MACHINE AB DER MASCHINE	AGGIORNAMENTO	E03	Rev. 1
		GEARBOX CAJA DE CAMBIO	BOITE DE VITESSES WECHSELGETRIEBE		★N.		

Pos.	Id	Q.ty	Description	Note
3004001	30040001		PLUG 1/4 UNI 364	
31112083	31112083		SCREW M6X12	
31221121	31221121		NUT M12X1,25	
31241084	31241084		SELFLOCK NUT M8 6S	
31312078	31312078		STUD BOLT M8X32X14X14	
31312084	31312084		STUD BOLT M8X58X16X16	
31312085	31312085		STUD BOLT M8X80X28X16	
31312088	31312088		STUD BOLT M8X40X14X14	
31312124	31312124		STUD BOLT 52XM12X1,25X22XM12X22 8G	
31312125	31312125		STUD BOLT 64XM12X1,25X26XM12X30 8G	
31421132	31421132		WASHER 13X24X2,8	
38211500	38211500		OIL SEAL 15X28X7	
55102678	55102678		RUBBER RING	
58043053	58043053		CYLINDRICAL PLUG	
59015425	59015425		PLUG WITH DIPSTICK	
53156326V	53156326V		BODY	
53156332V	53156332V		REAR COVER	
53156345V	53156345V		REAR COVER	
56147520Z	56147520Z		COVER	
59057831N	59057831N		PLATE	



Pos.	Id	Q.ty	Description	Note
1	31112079		VITE TE C/F M6X12 DIN 6921 RVS	REPLACES 31112083
2	56147520Z		COVER	
3	58056447		GASKET	
4	31312085		STUD BOLT M8X80X28X16	
5	53156332N		REAR COVER	
6	31241084		SELFLOCK NUT M8 6S	
7	31312125		STUD BOLT 64XM12X1,25X26XM12X30 8G	
8	31421132		WASHER 13X24X2,8	
9	31221121		NUT M12X1,25	
10	58043053		CYLINDRICAL PLUG	
11	31312084		STUD BOLT M8X58X16X16	
12	31312088		STUD BOLT M8X40X14X14	
13	59015425		PLUG WITH DIPSTICK	
14	30040001		PLUG 1/4 UNI 364	
15	38211500		OIL SEAL 15X28X7	
16	53156326N		BODY	
17	31312078		STUD BOLT M8X32X14X14	
18	55102678		RUBBER RING	
19	59057831N		PLATE	





	500 serie GRIFON	INGRANAGGI CAMBIO (500 GR- 520 GR- 530 GR- 530S GR- S MUSTER)		DALLA MACCHINA DE LA MAQUINA DE LA MACHINE FROM THE MACHINE AB DER MASCHINE	ON. 879633	Rev.	F03 2
		GEARS ENGRANAJES	ENGRANAGES ZÄHRÄDER			03/2011	

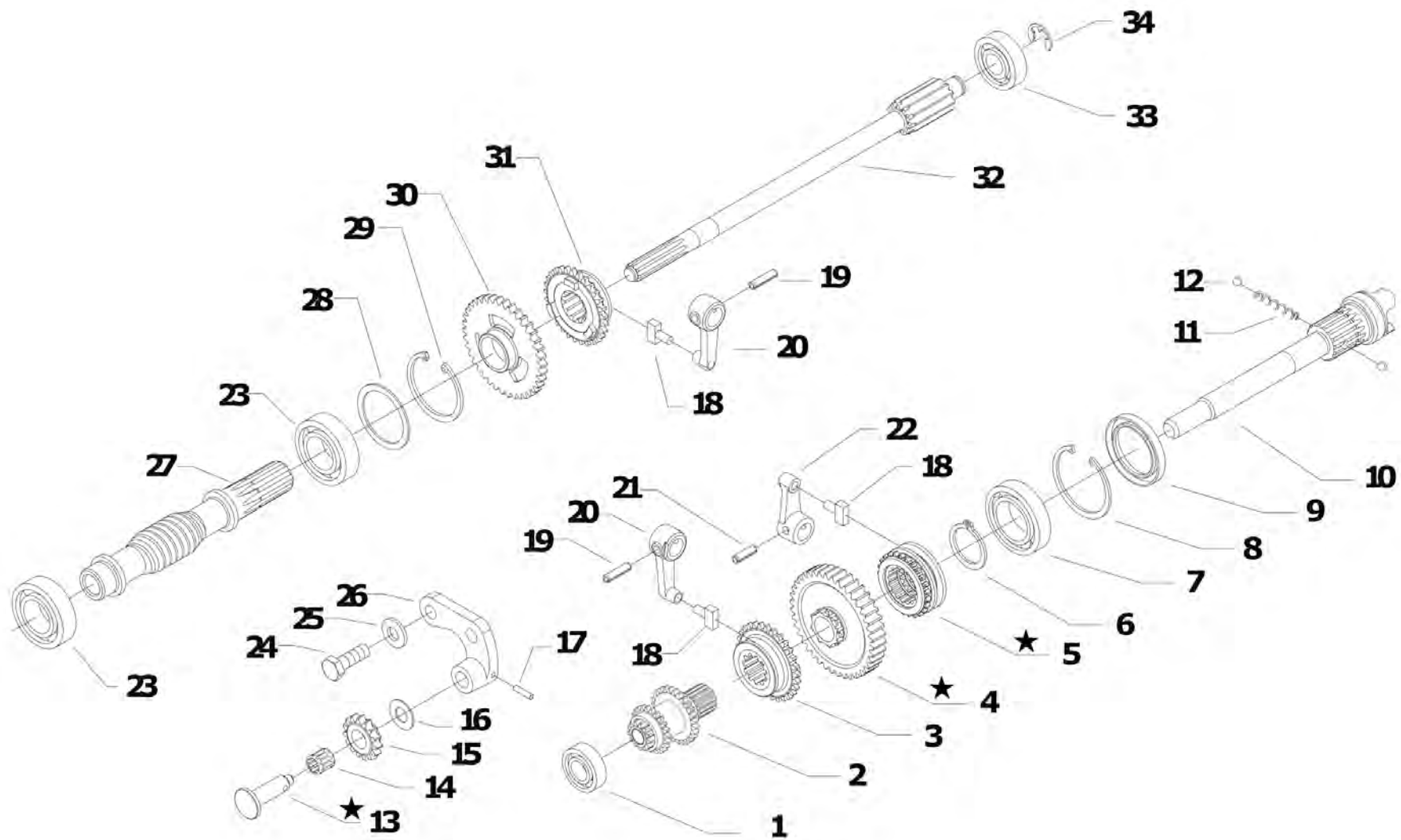



Pos.	Id	Q.ty	Description	Note
31112211	31112211	1	SCREW TE M10X30 UNI 5739	
31421101	31421101	1	WASHER 10 DIN 679	
34211042	34211042	1	ROLL PIN	
34213060	34213060	1	ROLL PIN	
34213061	34213061	1	ROLL PIN	
35111053	35111053	1	SEEGER RING I 52 UNI 7438	
35111055	35111055	1	SEEGER RING I 55 DIN 472	
35121031	35121031	1	SEEGER RING E 30 UNI 7436	
35211120	35211120	1	SEEGER RING E 12 UNI 7434	
37111150	37111150	1	BEARING 6202 (15X35X11)	
37111152	37111152	1	BEARING 6302 (15X42X13) SKF	
37111250	37111250	1	BEARING	
37112229	37112229	1	BEARING 6006 (30X55X13) SKF	
37320120	37320120	1	ROLLER CAGE 12X15/10	
37910832	37910832	1	BALL 1/4	
38213800	38213800	1	OIL SEAL 38X55X7	
52456336	52456336	1	PTO SHAFT L=193	
52456340	52456340	1	SHAFT	
52456349	52456349	1	GEAR SUPPORT	
52456354	52456354	1	GEAR	
52456360	52456360	1	SLIDER	
52456362	52456362	1	COUPLING	
52456370	52456370	1	SLIDER	
52456389	52456389	1	LEVER	
52456390	52456390	1	LEVER	
52456706	52456706	1	PTO COUPLING	
56356328	56356328	1	ADJUSTING RING SP=1,5	
56356329	56356329	1	ADJUSTING RING SP=1,6	
56356330	56356330	1	ADJUSTING RING SP=1,7	



Pos.	Id	Q.ty	Description	Note
56356331	56356331	1	ADJUSTING RING SP=1,8	
56356348	56356348	1	ADJUSTING RING	
56456347	56456347	1	GEAR	
56456351	56456351	1	GEAR PIN	
56456477	56456477	1	SCREW 4 DS	
56456478	56456478	1	SCREW 2	
58043086	58043086	1	SHOE	
58056391	58056391	1	SPRING	
59056365	59056365	1	PTO GEAR	
59056383	59056383	1	TRIPLE GEAR	
59056707	59056707	1	GEAR	





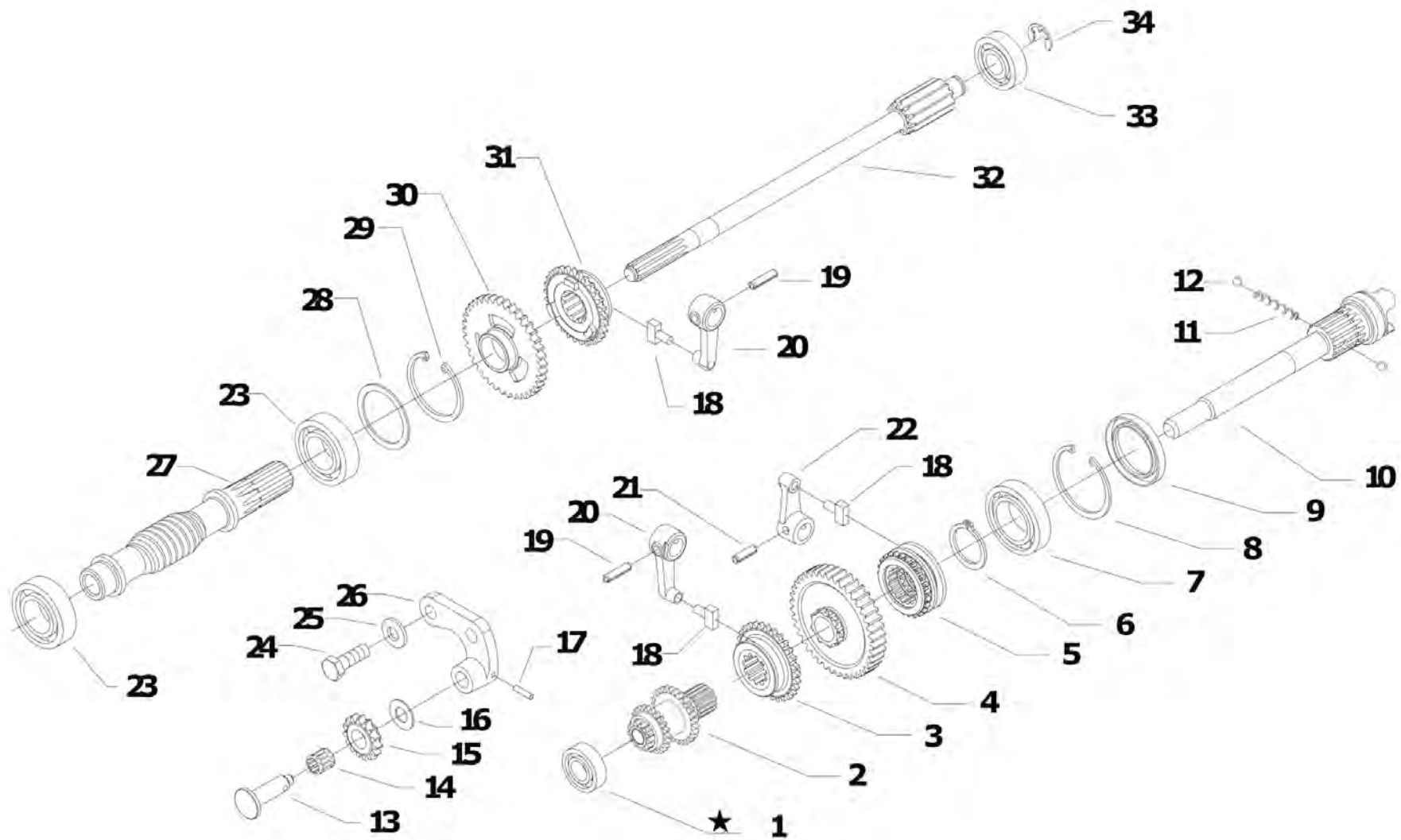

i = info - stop 2 sec. ★ = new part

Pos.	Id	Q.ty	Description	Note
1	37111150		BEARING 6202 (15X35X11)	
2	59056383		TRIPLE GEAR	
3	52456370		SLIDER	
4	59056707		GEAR	Replaces 59056365 + 52456362 from serial 863327 for 500-520-530-530S
5	52456706		PTO COUPLING	Replaces 59056365 + 52456362 from serial 863327 for 500-520-530-530S
6	35121031		SEEGER RING E 30 UNI 7436	
7	37112229		BEARING 6006 (30X55X13) SKF	
8	35111055		SEEGER RING I 55 DIN 472	
9	38213800		OIL SEAL 38X55X7	
10	52456336		PTO SHAFT L=193	
11	58056391		SPRING	
12	37910832		BALL 1/4	
13	56456736		GEAR PIN	Replaces 56456351
14	37320120		ROLLER CAGE 12X15/10	
15	56456347		GEAR	
16	56356348		ADJUSTING RING	
17	34211042		ROLL PIN	
18	58043086		SHOE	
19	34213060		ROLL PIN	
20	52456389		LEVER	
21	34213061		ROLL PIN	
22	52456390		LEVER	
23	37111250		BEARING	
23	37141250		BEARING 7205-B OBL SKF	
24	31112211		SCREW TE M10X30 UNI 5739	
25	31421101		WASHER 10 DIN 679	
26	52456349		GEAR SUPPORT	
27	56456477		SCREW 4 DS	For models 500GR-520GR-530GR
27	56456478		SCREW 2	For models 500GR-520GR-530GR



Pos.	Id	Q.ty	Description	Note
28	56356328		ADJUSTING RING SP=1,5	
28	56356329		ADJUSTING RING SP=1,6	
28	56356330		ADJUSTING RING SP=1,7	
28	56356331		ADJUSTING RING SP=1,8	
29	35111053		SEEGER RING I 52 UNI 7438	
30	52456354		GEAR	
31	52456360		SLIDER	
32	52456340		SHAFT	
33	37111152		BEARING 6302 (15X42X13) SKF	
34	35211120		SEEGER RING E 12 UNI 7434	





[i Click for info](#)

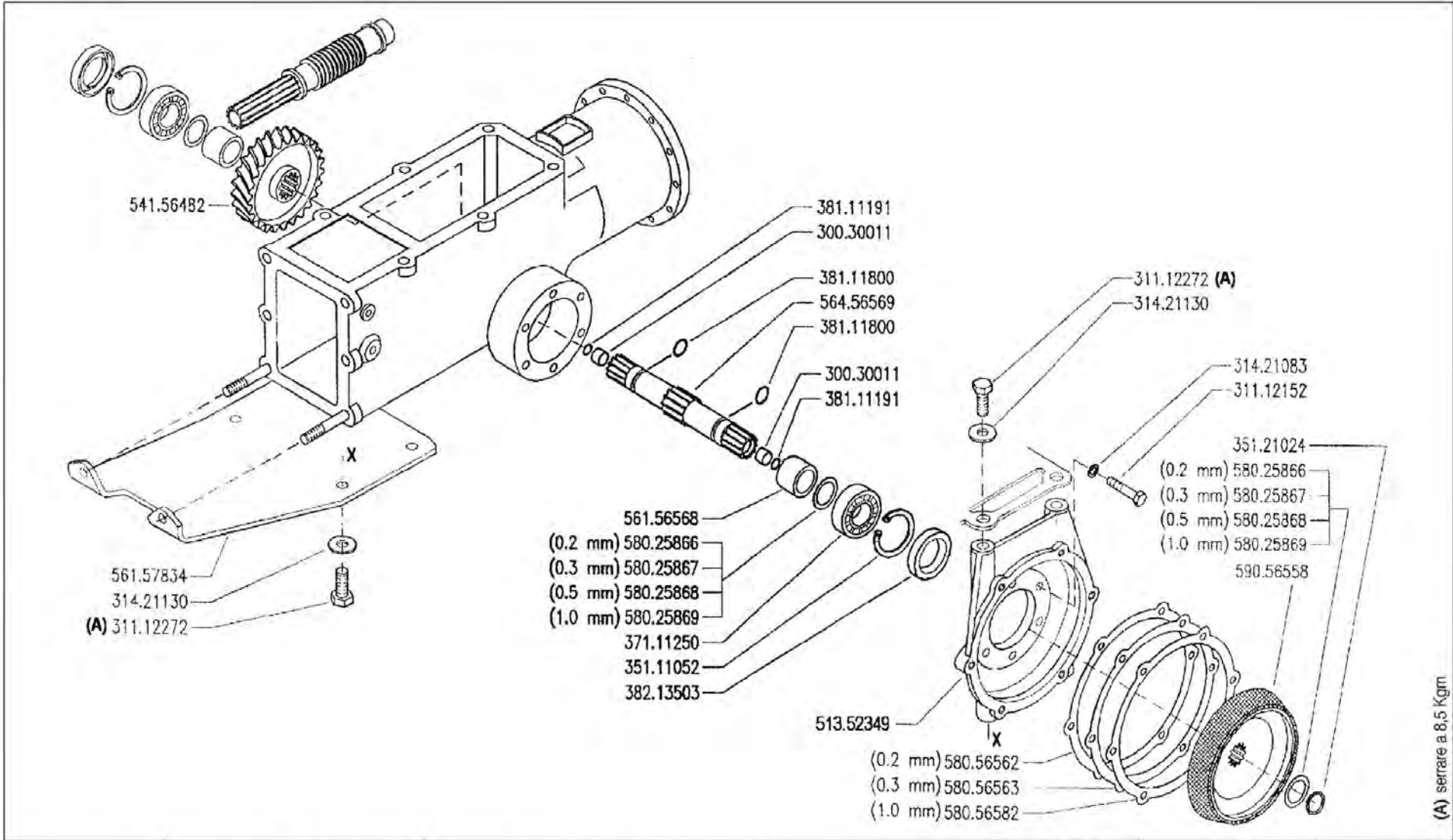
★ = new part

Pos.	Id	Q.ty	Description	Note
1	37111151		BEARING 6202 (15X35X11)	REPLACES 37111150
2	59056383		TRIPLE GEAR	
3	52456370		SLIDER	
4	59056707		GEAR	Replaces 59056365 + 52456362 from serial 863327 for 500-520-530-530S
5	52456706		PTO COUPLING	Replaces 59056365 + 52456362 from serial 863327 for 500-520-530-530S
6	35121031		SEEGER RING E 30 UNI 7436	
7	37112229		BEARING 6006 (30X55X13) SKF	
8	35111055		SEEGER RING I 55 DIN 472	
9	38213800		OIL SEAL 38X55X7	
10	52456336		PTO SHAFT L=193	
11	58056391		SPRING	
12	37910832		BALL 1/4	
13	56456736		GEAR PIN	Replaces 56456351
14	37320120		ROLLER CAGE 12X15/10	
15	56456347		GEAR	
16	56356348		ADJUSTING RING	
17	34211042		ROLL PIN	
18	58043086		SHOE	
19	34213060		ROLL PIN	
20	52456389		LEVER	
21	34213061		ROLL PIN	
22	52456390		LEVER	
23	37111250		BEARING	
24	31112211		SCREW TE M10X30 UNI 5739	
25	31421101		WASHER 10 DIN 679	
26	52456349		GEAR SUPPORT	
27	56456477		SCREW 4 DS	For models 500GR-520GR-530GR
27	56456478		SCREW 2	For models 500GR-520GR-530GR
28	56356328		ADJUSTING RING SP=1,5	



Pos.	Id	Q.ty	Description	Note
28	56356329		ADJUSTING RING SP=1,6	
28	56356330		ADJUSTING RING SP=1,7	
28	56356331		ADJUSTING RING SP=1,8	
29	35111053		SEEGER RING I 52 UNI 7438	
30	52456354		GEAR	
31	52456360		SLIDER	
32	52456340		SHAFT	
33	37111152		BEARING 6302 (15X42X13) SKF	
34	35211120		SEEGER RING E 12 UNI 7434	



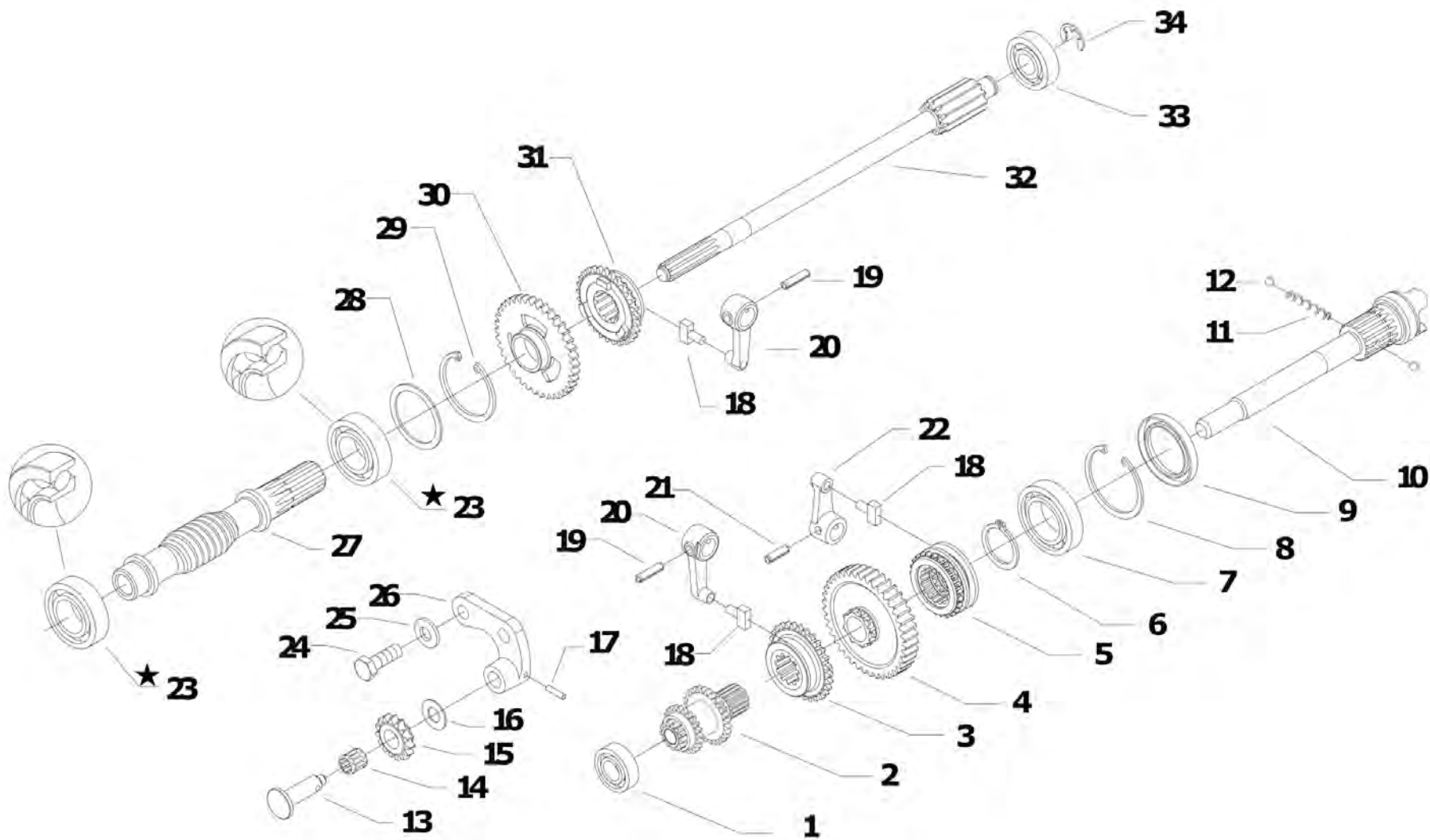


(A) serrare a 8,5 Kgm

	500 serie GRIFON	ASSE RUOTE (530S GR - S MUSTER)		DALLA MACCHINA DE LA MAQUINA FROM THE MACHINE AB DER MASCHINE	Rev. 0
		WHEEL AXLE EJE RUEDAS	ESSIEU ROUES RADACHSE		

Pos.	Id	Q.ty	Description	Note
30030011	30030011	1	BUSHING 12X14X10	
31112152	31112152	1	SCREW TE M8X30 UNI 5739 8G	
31112272	31112272	1	SCREW TE M12X30 UNI 5739	
31421083	31421083	1	WASHER	
31421130	31421130	1	WASHER	
35111052	35111052	1	SEEGER RING I 52 DIN 472	
35121024	35121024	1	SEEGER RING	
37111250	37111250	1	BEARING	
38111191	38111191	1	O-RING 115 (11,91X2,62)	
38111800	38111800	1	O-RING 4075 (18,64X3,53)	
38213503	38213503	1	OIL SEAL 35X52X8	
51352349	51352349	1	FLANGE	
54156482	54156482	1	CROWN WHEEL Z=47 DESTROSA	
56156568	56156568	1	SPACER	
56157834	56157834	1	REINFORCED PLATE	
56456569	56456569	1	OUTPUT SHAFT	
58025866	58025866	1	SHIM	
58025867	58025867	1	SHIM	
58025868	58025868	1	SHIM	
58025869	58025869	1	SHIM	
58056562	58056562	1	SHIM	
58056563	58056563	1	SHIM 0,3	
58056582	58056582	1	SHIM	
59056558	59056558	1	FRICION CONE	





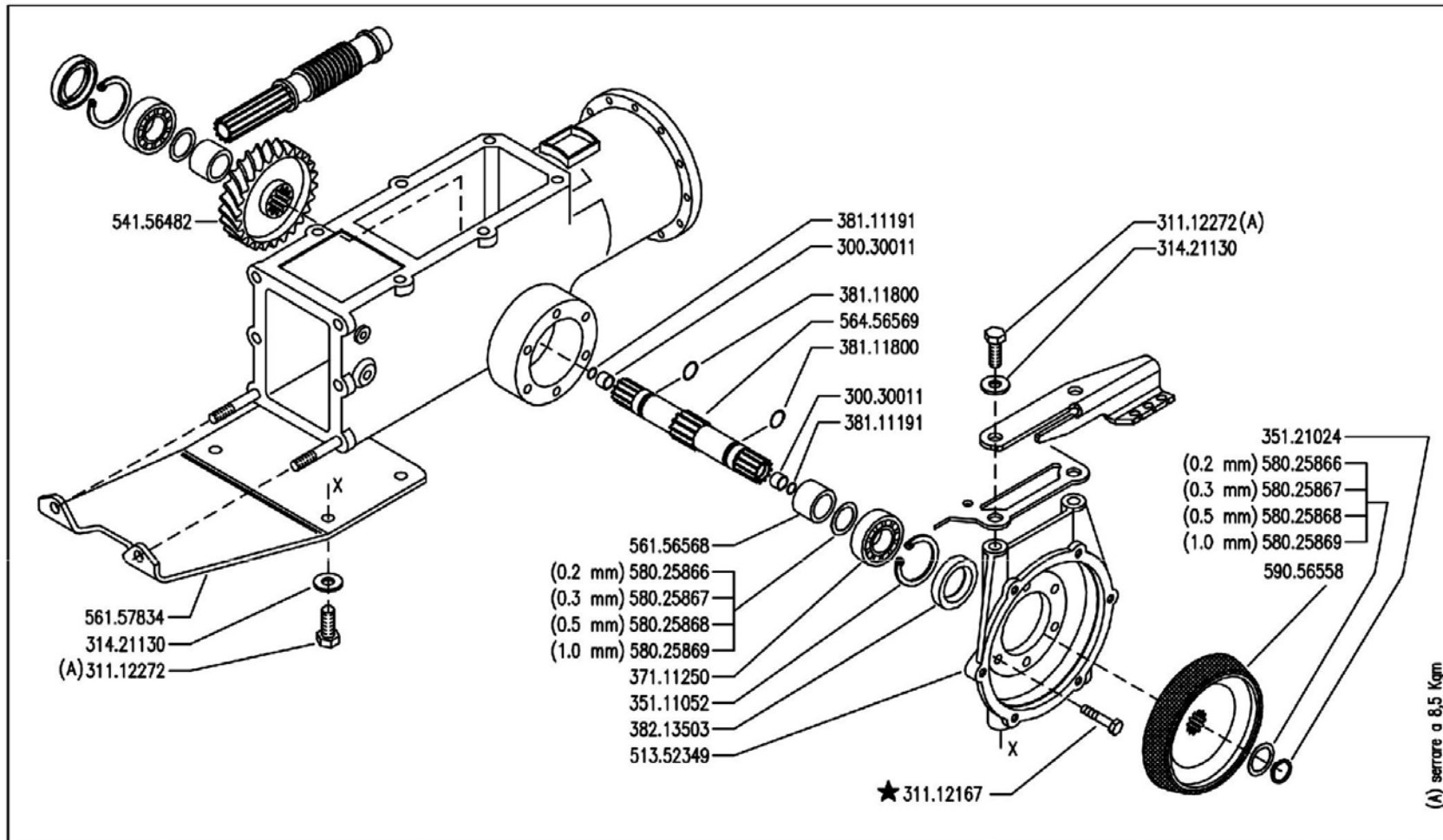
[i Click for info](#)

★ = new part

Pos.	Id	Q.ty	Description	Note
1	37111151		BEARING 6202 (15X35X11)	
2	59056383		TRIPLE GEAR	
3	52456370		SLIDER	
4	59056707		GEAR	Replaces 59056365 + 52456362 from serial 863327 for 500-520-530-530S
5	52456706		PTO COUPLING	Replaces 59056365 + 52456362 from serial 863327 for 500-520-530-530S
6	35121031		SEEGER RING E 30 UNI 7436	
7	37112229		BEARING 6006 (30X55X13) SKF	
8	35111055		SEEGER RING I 55 DIN 472	
9	38213800		OIL SEAL 38X55X7	
10	52456336		PTO SHAFT L=193	
11	58056391		SPRING	
12	37910832		BALL 1/4	
13	56456736		GEAR PIN	Replaces 56456351
14	37320120		ROLLER CAGE 12X15/10	
15	56456347		GEAR	
16	56356348		ADJUSTING RING	
17	34211042		ROLL PIN	
18	58043086		SHOE	
19	34213060		ROLL PIN	
20	52456389		LEVER	
21	34213061		ROLL PIN	
22	52456390		LEVER	
23	37141250		BEARING 7205-B OBL SKF	
24	31112211		SCREW TE M10X30 UNI 5739	
25	31421101		WASHER 10 DIN 679	
26	52456349		GEAR SUPPORT	
27	56456477		SCREW 4 DS	For models 500GR-520GR-530GR
27	56456478		SCREW 2	For models 500GR-520GR-530GR
28	56356328		ADJUSTING RING SP=1,5	



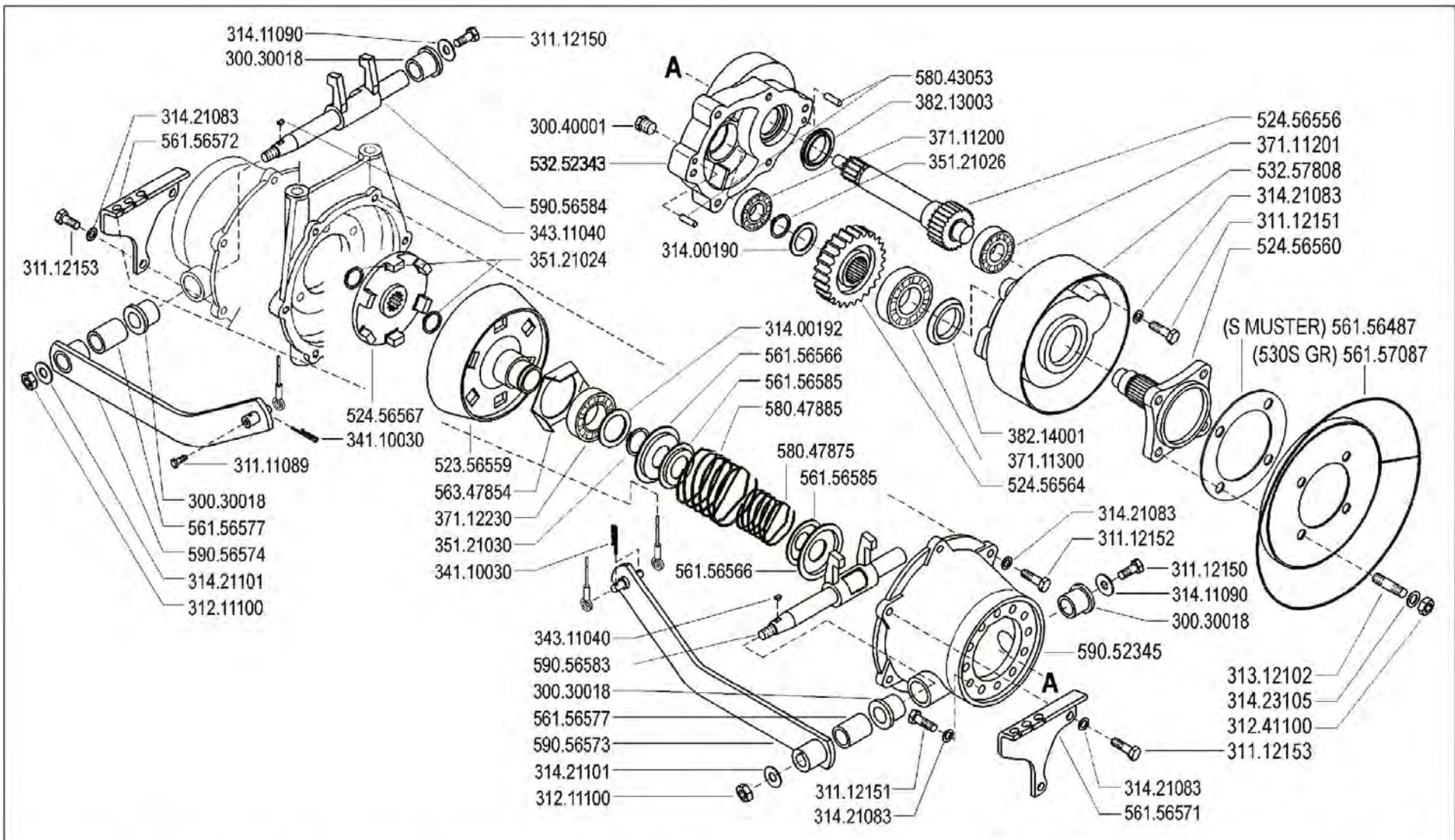
Pos.	Id	Q.ty	Description	Note
28	56356329		ADJUSTING RING SP=1,6	
28	56356330		ADJUSTING RING SP=1,7	
28	56356331		ADJUSTING RING SP=1,8	
29	35111053		SEEGER RING I 52 UNI 7438	
30	52456354		GEAR	
31	52456360		SLIDER	
32	52456340		SHAFT	
33	37111152		BEARING 6302 (15X42X13) SKF	
34	35211120		SEEGER RING E 12 UNI 7434	



	500 serie GRIFON	ASSE RUOTE (530S GR - S MUSTER)		DALLA MACCHINA DE LA MAQUINA FROM THE MACHINE AB DER MASCHINE	G03	Rev.
		WHELL AXLE EJE RUEDAS	ESSIEU ROUES RADACHSE			★ N.
				764828	05/2006	ME

Pos.	Id	Q.ty	Description	Note
30030011	30030011	1	BUSHING 12X14X10	
31112167	31112167	1	SCREW TE C/F M8X30 DIN 6921 8G	
31112272	31112272	1	SCREW TE M12X30 UNI 5739	
31421130	31421130	1	WASHER	
35111052	35111052	1	SEEGER RING I 52 DIN 472	
35121024	35121024	1	SEEGER RING	
37111250	37111250	1	BEARING	
38111191	38111191	1	O-RING 115 (11,91X2,62)	
38111800	38111800	1	O-RING 4075 (18,64X3,53)	
38213503	38213503	1	OIL SEAL 35X52X8	
51352349	51352349	1	FLANGE	
54156482	54156482	1	CROWN WHEEL Z=47 DESTROSA	
56156568	56156568	1	SPACER	
56157834	56157834	1	REINFORCED PLATE	
56456569	56456569	1	OUTPUT SHAFT	
58025866	58025866	1	SHIM	
58025867	58025867	1	SHIM	
58025868	58025868	1	SHIM	
58025869	58025869	1	SHIM	
59056558	59056558	1	FRICION CONE	





	500 serie GRIFON	FRIZIONE DI STERZO (530S GR - S MUSTER)		DALLA MACCHINA DE LA MAQUINA DE LA MACHINE FROM THE MACHINE AB DER MASCHINE	Rev. 0
		STEERING CLUTCH EMBRAGUE DE DIRECCION	EMBRAYAGE DE DIRECTION KUPPLUNG DER LENKER		

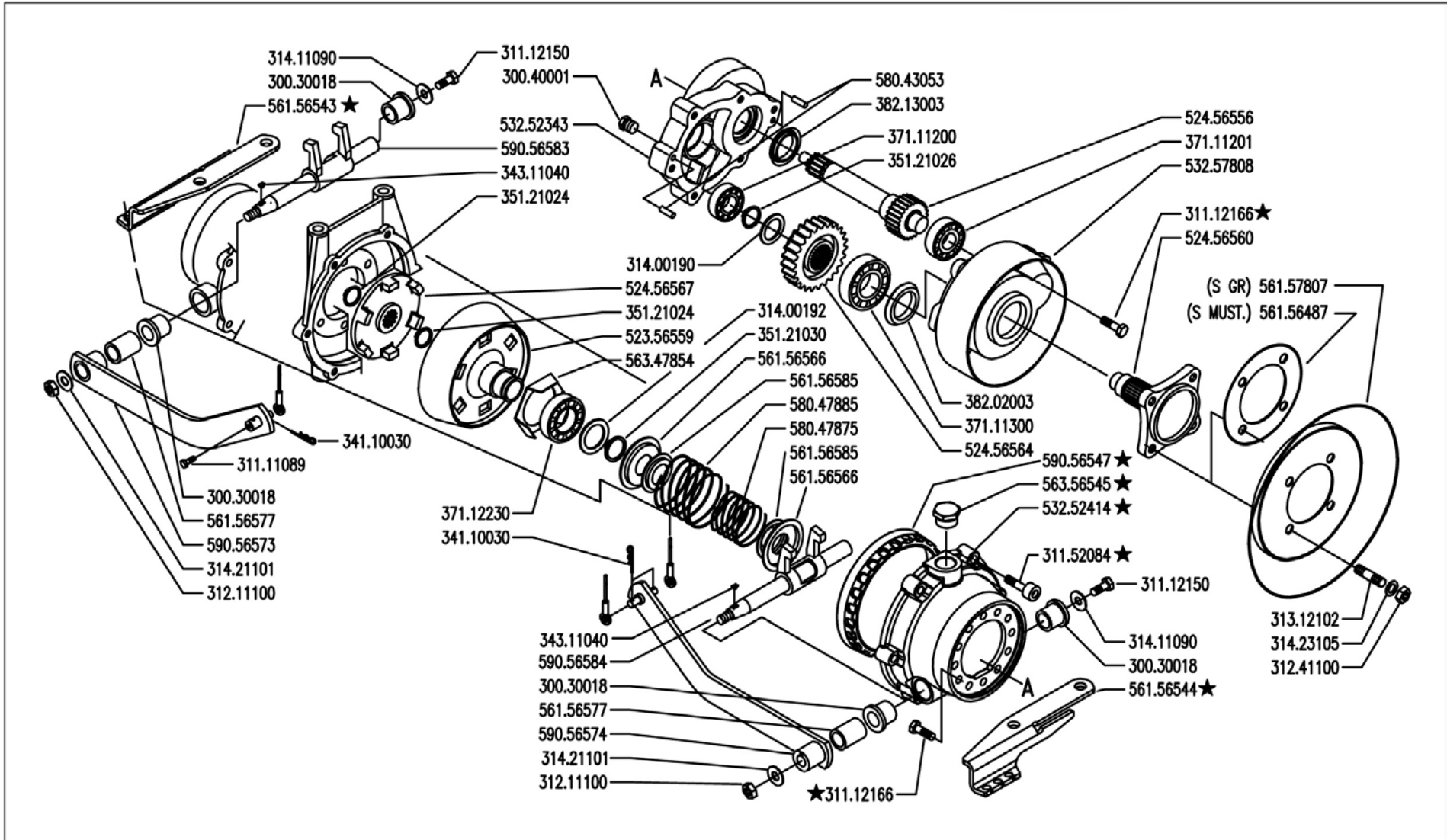


Pos.	Id	Q.ty	Description	Note
0.	59056584	1	PIN	
30030018	30030018	1	BUSHING 18x25x25	
30040001	30040001	1	PLUG 1/4 UNI 364	
31111089	31111089	1	SCREW TE M5X10 UNI 5739 8G	
31112150	31112150	1	SCREW TE M8X20 UNI 5739 8G	
31112151	31112151	1	SCREW TE M8X25 UNI 5739 8G	
31112152	31112152	1	SCREW TE M8X30 UNI 5739 8G	
31112153	31112153	1	SCREW TE M8X35 UNI 5739 8G	
31211100	31211100	1	NUT M10	
31241100	31241100	1	SELFLOCK HEXAGON NUT M10	
31312102	31312102	1	STUD BOLT M10X40X24X12	
31400190	31400190	1	SHIM	
31400192	31400192	1	SHIM PS 30x42/1,5	
31411090	31411090	1	WASHER 9x24	
31421083	31421083	1	WASHER	
31421101	31421101	1	WASHER 10 DIN 679	
31423105	31423105	1	SPRING WASHER 10,5	
34110030	34110030	1	SPLIT PIN A3X20 UNI 1336	
34311040	34311040	1	KEY 4X6,5 UNI 6606	
35121024	35121024	1	SEEGER RING	
35121026	35121026	1	SEEGER RING E 26 DIN 471	
35121030	35121030	1	SEEGER RING E 30 DIN 471	
37111200	37111200	1	BEARING 6004 (20X42X12)	
37111201	37111201	1	BEARING 6204 (20X47X14)	
37111300	37111300	1	BEARING 6206 (30X62X16)	
37112230	37112230	1	BEARING 6006-2RS1 (305513) SKF	
38213003	38213003	1	OIL SEAL 30X47X7	
38214001	38214001	1	OIL SEAL 40X52X7	
52356559	52356559	1	FRICTION CONE	



Pos.	Id	Q.ty	Description	Note
52456556	52456556	1	SHAFT	
52456560	52456560	1	AXLE SHAFT	
52456564	52456564	1	GEAR Z26	
52456567	52456567	1	DISC	
53252343	53252343	1	FLANGE	
53257808	53257808	1	COVER	
56156487	56156487	1	SPACER 3.50-8	
56156566	56156566	1	STOP	
56156571	56156571	1	LEVER BEARING	
56156572	56156572	1	LEVER BEARING	
56156577	56156577	1	SPACER	
56156585	56156585	1	STOP	
56157087	56157087	1	STOP	
56347854	56347854	1	GUARD	
58043053	58043053	1	CYLINDRICAL PLUG	
58047875	58047875	1	SPRING	
58047885	58047885	1	COUPLING SPRING	
59052345	59052345	1	CLUTCH HOUSING	
59056573	59056573	1	LEVER	
59056574	59056574	1	LEVER	
59056583	59056583	1	PIN	





	500 serie GRIFON	FRIZIONE DI STERZO (530S GR - S MUSTER)		DALLA MACCHINA DE LA MAQUINA FROM THE MACHINE AB DER MASCHINE	Rev. G04 1
		STEERING CLUTCH EMBRAGUE DE DIRECCION	EMBRAYAGE DE DIRECTION KUPPLUNG DER LENKER		



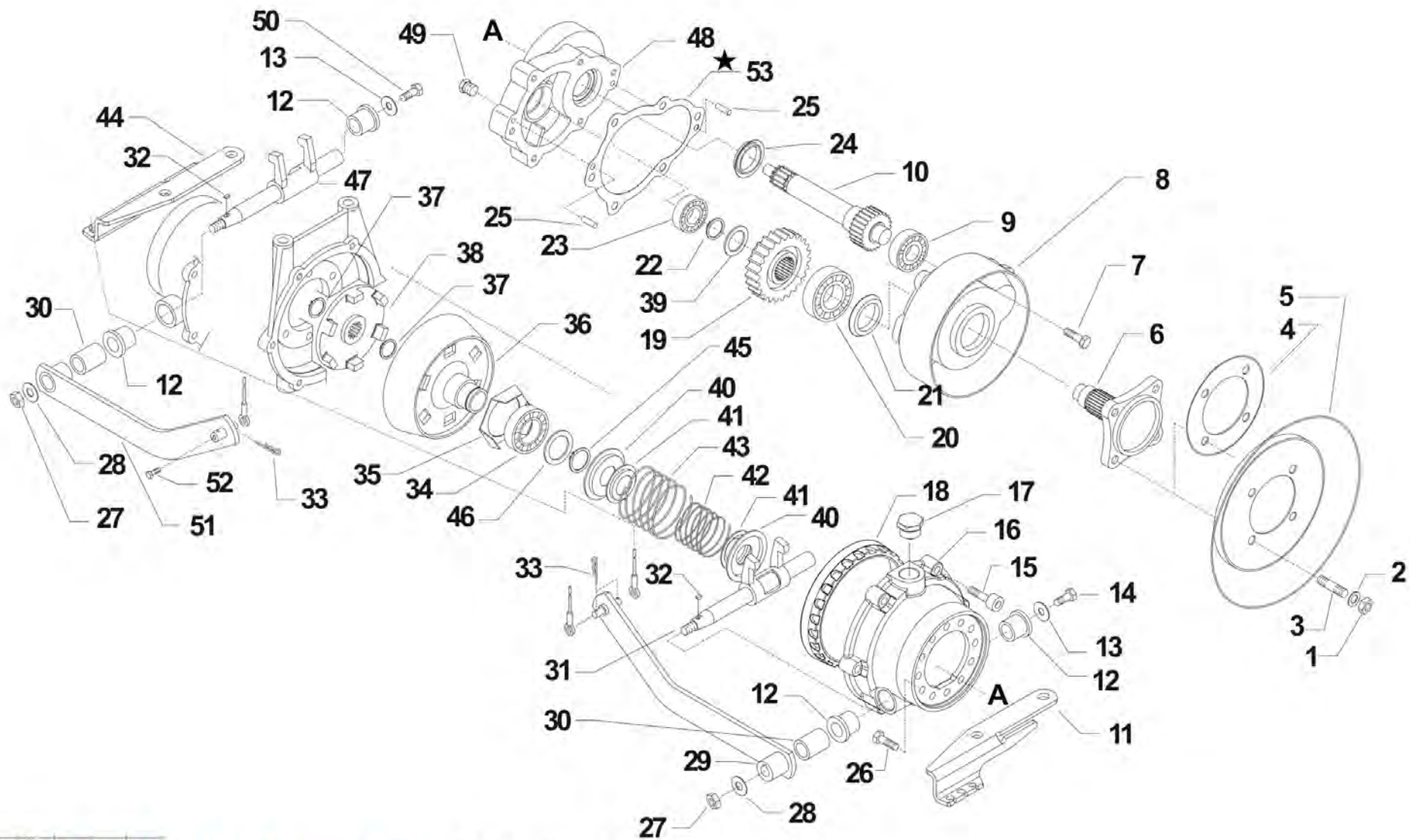
FERRARI Motor mowers, FERRARI 2-wheel tractors - 530S GRIFON
 G04_1_27001 - STEERING CLUTCH



Pos.	Id	Q.ty	Description	Note
30030018	30030018	1	BUSHING 18x25x25	
30040001	30040001	1	PLUG 1/4 UNI 364	
31111089	31111089	1	SCREW TE M5X10 UNI 5739 8G	
31112150	31112150	1	SCREW TE M8X20 UNI 5739 8G	
31112166	31112166	1	SCREW TE C/F M8X25 DIN 6921 8G	
31152084	31152084	1	SCREW TCEI M8X35 UNI 5931	
31211100	31211100	1	NUT M10	
31241100	31241100	1	SELFLOCK HEXAGON NUT M10	
31312102	31312102	1	STUD BOLT M10X40X24X12	
31400190	31400190	1	SHIM	
31400192	31400192	1	SHIM PS 30x42/1,5	
31411090	31411090	1	WASHER 9x24	
31421101	31421101	1	WASHER 10 DIN 679	
31423105	31423105	1	SPRING WASHER 10,5	
34110030	34110030	1	SPLIT PIN A3X20 UNI 1336	
34311040	34311040	1	KEY 4X6,5 UNI 6606	
35121024	35121024	1	SEEGER RING	
35121026	35121026	1	SEEGER RING E 26 DIN 471	
35121030	35121030	1	SEEGER RING E 30 DIN 471	
37111200	37111200	1	BEARING 6004 (20X42X12)	
37111201	37111201	1	BEARING 6204 (20X47X14)	
37111300	37111300	1	BEARING 6206 (30X62X16)	
37112230	37112230	1	BEARING 6006-2RS1 (305513) SKF	
38202003	38202003	1	OIL SEAL 40X52X7	
38213003	38213003	1	OIL SEAL 30X47X7	
52356559	52356559	1	FRICTION CONE	
52456556	52456556	1	SHAFT	
52456560	52456560	1	AXLE SHAFT	
52456564	52456564	1	GEAR Z26	



Pos.	Id	Q.ty	Description	Note
52456567	52456567	1	DISC	
53252343	53252343	1	FLANGE	
53252414	53252414	1	CLUTCH HOUSING	
53257808	53257808	1	COVER	
56156487	56156487	1	SPACER 3.50-8	
56156543	56156543	1	SUPPORT	
56156544	56156544	1	SUPPORT	
56156566	56156566	1	STOP	
56156577	56156577	1	SPACER	
56156585	56156585	1	STOP	
56157807	56157807	1	BOTTOM	
56347854	56347854	1	GUARD	
56356545	56356545	1	SPECIAL SCREW M24	
58043053	58043053	1	CYLINDRICAL PLUG	
58047875	58047875	1	SPRING	
58047885	58047885	1	COUPLING SPRING	
59056547	59056547	1	RING	
59056573	59056573	1	LEVER	
59056574	59056574	1	LEVER	
59056583	59056583	1	PIN	
59056584	59056584	1	PIN	





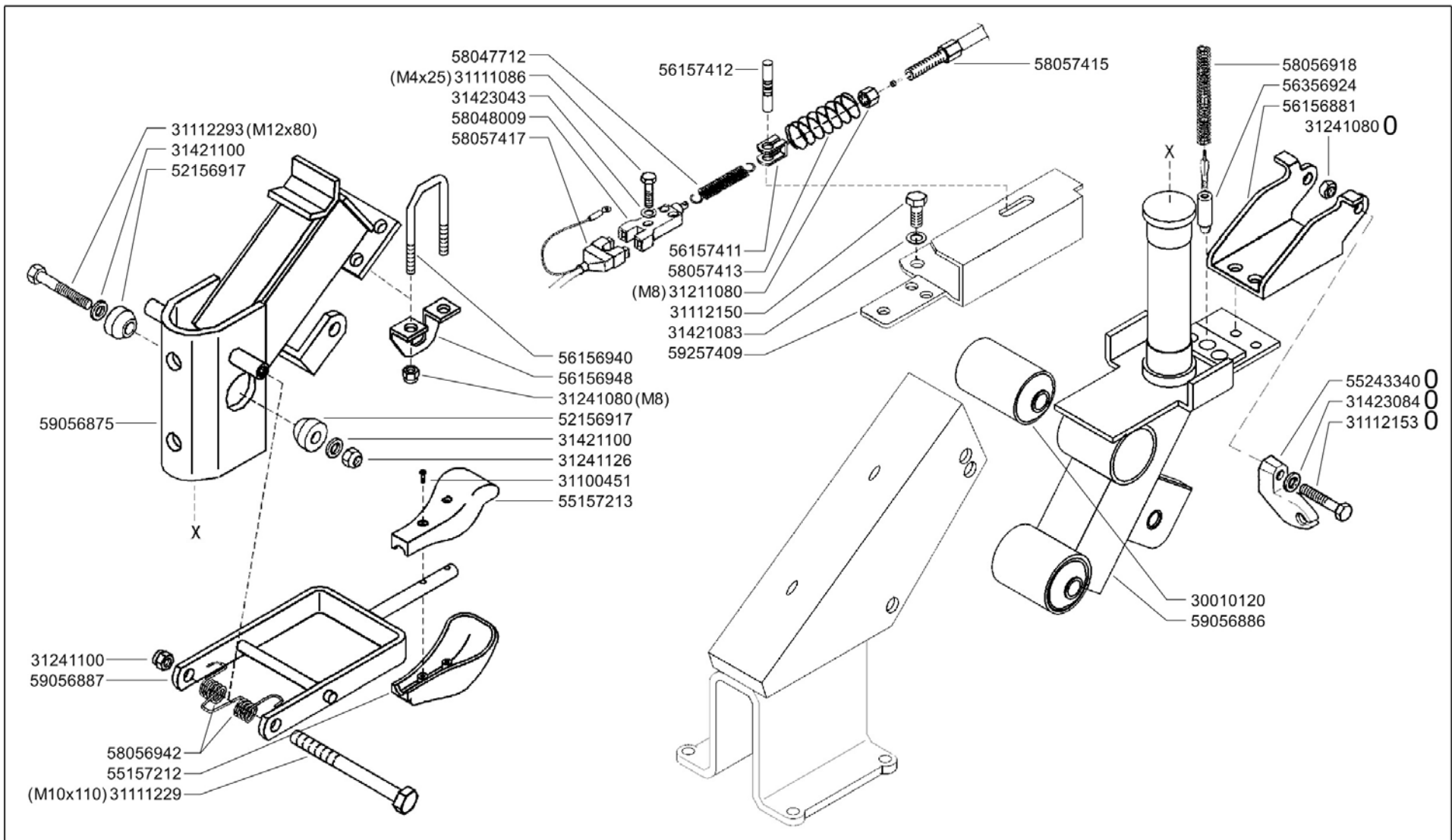
 **i = info - stop 2 sec.**
 **★ = new part**

Pos.	Id	Q.ty	Description	Note
1	31241100		SELFLOCK HEXAGON NUT M10	
2	31423105		SPRING WASHER 10,5	
3	31312102		STUD BOLT M10X40X24X12	
4	56156487		SPACER 3.50-8	
5	56157807N		BOTTOM	
6	52456560		AXLE SHAFT	
7	31112166		SCREW TE C/F M8X25 DIN 6921 8G	
8	53257808N		COVER	
9	37111201		BEARING 6204 (20X47X14)	
10	52456556		SHAFT	
11	56156544		SUPPORT	
12	30030018		BUSHING 18x25x25	
13	31411090		WASHER 9x24	
14	31112150		SCREW TE M8X20 UNI 5739 8G	
15	31152084		SCREW TCEI M8X35 UNI 5931	
16	53256549N		CLUTCH HOUSING	
16	53256615		CLUTCH HOUSING	
17	56356545		SPECIAL SCREW M24	
18	59056547		RING	
19	52456564		GEAR Z26	
20	37111300		BEARING 6206 (30X62X16)	
21	38202003		OIL SEAL 40X52X7	
22	35121026		SEEGER RING E 26 DIN 471	
23	37111200		BEARING 6004 (20X42X12)	
24	38213003		OIL SEAL 30X47X7	
25	58043053		CYLINDRICAL PLUG	
26	31112166		SCREW TE C/F M8X25 DIN 6921 8G	
27	31211100		NUT M10	
28	31421101		WASHER 10 DIN 679	



Pos.	Id	Q.ty	Description	Note
29	59056574		LEVER	
30	56156577		SPACER	
31	59056584		PIN	
32	34311040		KEY 4X6,5 UNI 6606	
33	34110030		SPLIT PIN A3X20 UNI 1336	
34	37112230		BEARING 6006-2RS1 (305513) SKF	
35	56347854		GUARD	
36	52356559		FRICTION CONE	
37	35121024		SEEGER RING	
38	52456567		DISC	
39	31400190		SHIM	
40	56156566		STOP	
41	56156585		STOP	
42	58047875		SPRING	
43	58047885		COUPLING SPRING	
44	56156543		SUPPORT	
45	35121030		SEEGER RING E 30 DIN 471	
46	31400192		SHIM PS 30x42/1,5	
47	59056583		PIN	
48	53256553N		FLANGE	
48	53256600		FLANGE	
49	30040001		PLUG 1/4 UNI 364	
50	31112150		SCREW TE M8X20 UNI 5739 8G	
51	59056573		LEVER	
52	31111089		SCREW TE M5X10 UNI 5739 8G	
53	580C0147		SHEATH	





	500 serie GRIFON	PIANTONE (520GR - 530GR - 530S GR - S MUSTER) STEERING COLUMN COLUMNNA PLANTON LENKSÄULE	DALLA MACCHINA DE LA MAQUINA DE LA MACHINE FROM THE MACHINE AB DER MASCHINE ON.	ERRATA CORRIGE	Rev.
					H02 1 10/2004

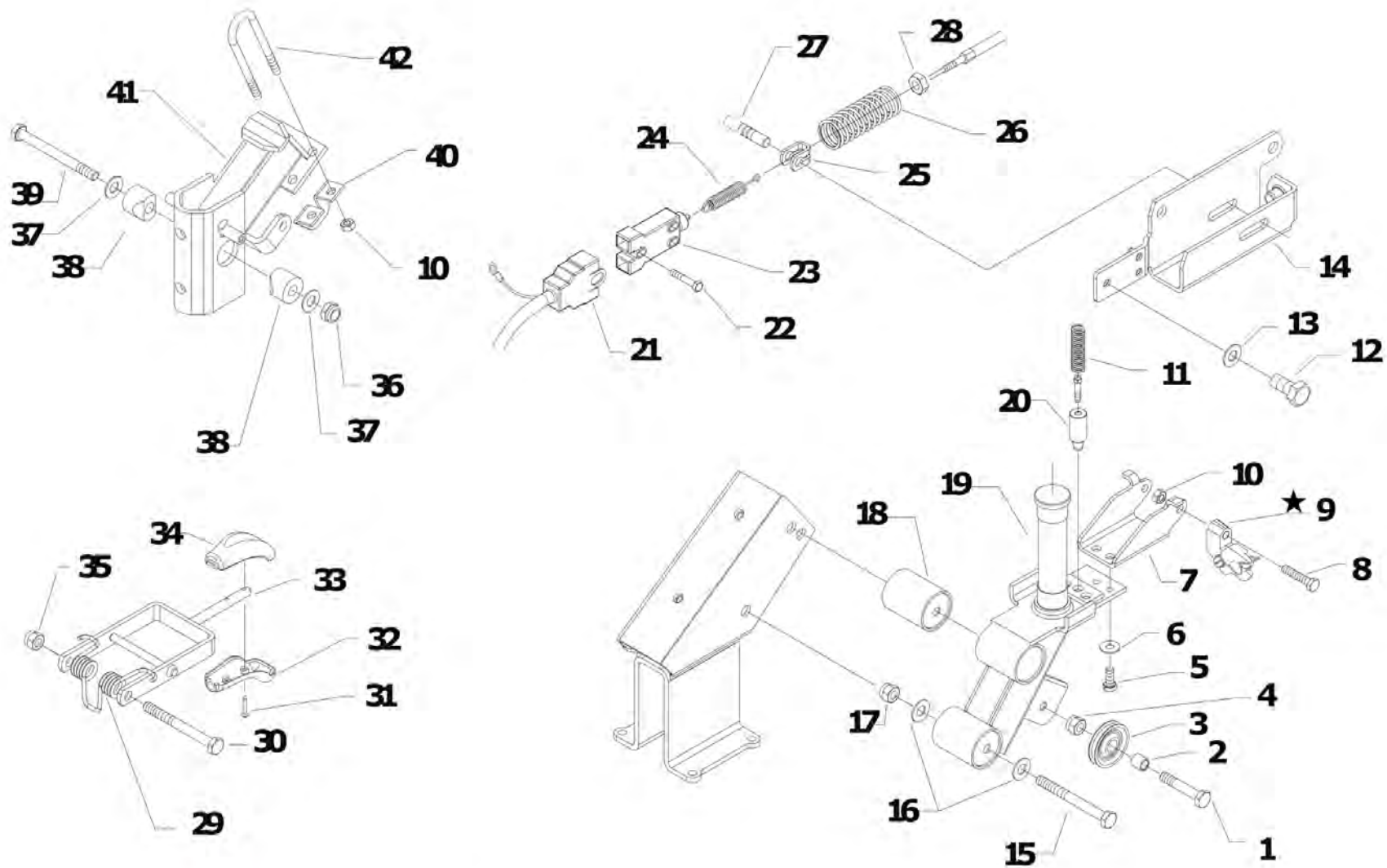


Pos.	Id	Q.ty	Description	Note
30010120	30010120	1	SILENT-BLOCK 12X40X58X66	
31100451	31100451	1	SCREW 3,5X25	
31111086	31111086	1	SCREW TE M4X25 UNI 5739 8G	
31111229	31111229	1	SCREW TE M10X110 UNI 5737 8G	
31112150	31112150	1	SCREW TE M8X20 UNI 5739 8G	
31112153	31112153	1	SCREW TE M8X35 UNI 5739 8G	
31112293	31112293	1	SCREW TE M12X80 UNI 5737	
31211080	31211080	1	NUT M8	
31241080	31241080	1	HEXAGON SELFLOCK NUT M8	
31241100	31241100	1	SELFLOCK HEXAGON NUT M10	
31241126	31241126	1	SELFLOCK NUT M12	
31421083	31421083	1	WASHER	
31421100	31421100	1	CUP SPRING 25X12,2X1,5 D2093	
31423043	31423043	1	SPRING WASHER 4,3	
31423084	31423084	1	SPRING WASHER 8,4	
52156917	52156917	1	WEDGE	
55157212	55157212	1	GRIP	
55157213	55157213	1	GRIP	
55243340	55243340	1	SUPPORT	
56156881	56156881	1	CONNECTION	
56156940	56156940	1	U BOLT	
56156948	56156948	1	STOP	
56157411	56157411	1	FORK	
56157412	56157412	1	PIN	
56356924	56356924	1	FERRULE	
58047712	58047712	1	SPRING	
58048009	58048009	1	ENGINE STOP SWITCH	
58056918	58056918	1	SPRING	
58056942	58056942	1	SPRING	



Pos.	Id	Q.ty	Description	Note
58057413	58057413	1	RETAINING SPRING	
58057415	58057415	1	LINE AND SHEATH M/S L=940 MF/04	
58057417	58057417	1	WIRING MOT/STOP L=950	
59056875	59056875	1	COLUMN	
59056886	59056886	1	COLUMN	
59056887	59056887	1	LEVER	
59257409	59257409	1	SUPPORT	





  [Click for info](#)

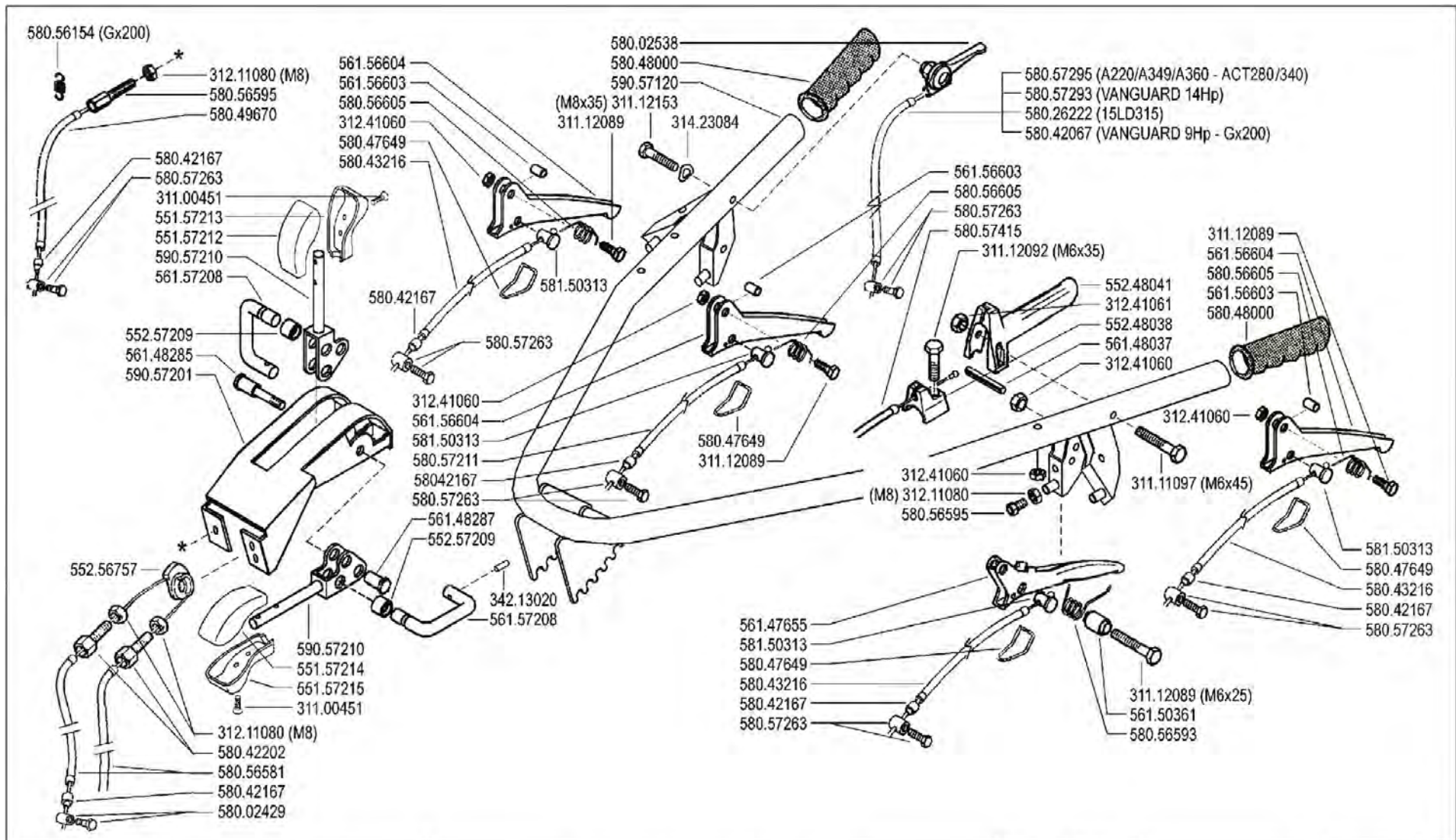
★ = new part

Pos.	Id	Q.ty	Description	Note
1	31112211		SCREW TE M10X30 UNI 5739	
2	56120364		SLEEVE	
3	55220363		PULLEY BRAKE	
4	31241100		SELFLOCK HEXAGON NUT M10	
5	31112093		SCREW TE M6X20	
6	31422064		SPRING WASHER 6,4	
7	56156881N		CONNECTION	
8	31112165		SCREW TE C/F M8X35 DIN 6921 8G	
9	59243337		ROD SUPPORT WITH SPRING	REPLACES 55243340
10	31241080		HEXAGON SELFLOCK NUT M8	
11	58056918Z		SPRING	
12	31112150		SCREW TE M8X20 UNI 5739 8G	
13	31421083		WASHER	
14	59257409		SUPPORT	
15	31112295		SCREW TE M12X90 UNI 5737	
16	31423130		SPRING WASHER EL 13 DIN 137-B	
17	31241121		SELFLOCK NUT M12	
18	30010120		SILENT-BLOCK 12X40X58X66	
19	59056886		COLUMN	
20	56356924		FERRULE	
21	58057417		WIRING MOT/STOP L=950	
22	31121024		SCREW TBCEI FL.M4X25	
23	58048009		ENGINE STOP SWITCH	
24	58047712		SPRING	
25	56157411Z		FORK	
26	58057413		RETAINING SPRING	
27	56157412		PIN	
28	31211080		NUT M8	
29	58056942N		SPRING	



Pos.	Id	Q.ty	Description	Note
30	31111229		SCREW TE M10X110 UNI 5737 8G	
31	31100451		SCREW 3,5X25	
32	55157213		GRIP	
33	59057010N		LEVER	
34	55157212		GRIP	
35	31241100		SELFLOCK HEXAGON NUT M10	
36	31241126		SELFLOCK NUT M12	
37	31421100		CUP SPRING 25X12,2X1,5 D2093	
38	52156917		WEDGE	
39	31112293		SCREW TE M12X80 UNI 5737	
40	56156948N		STOP	
41	59056875N		COLUMN	
42	56156940		U BOLT	





	500 serie GRIFON	MANUBRIO (530S GR - S MUSTER)		DALLA MACCHINA DE LA MAQUINA FROM THE MACHINE AB DER MASCHINE	Rev. 0
		HANDLEBAR MANILLAR	MANCHERON LENKER		



FERRARI Motor mowers, FERRARI 2-wheel tractors - 530S GRIFON

I04_0_23054 - HANDLEBAR (530S GR - S MUSTER)

05/07/2023

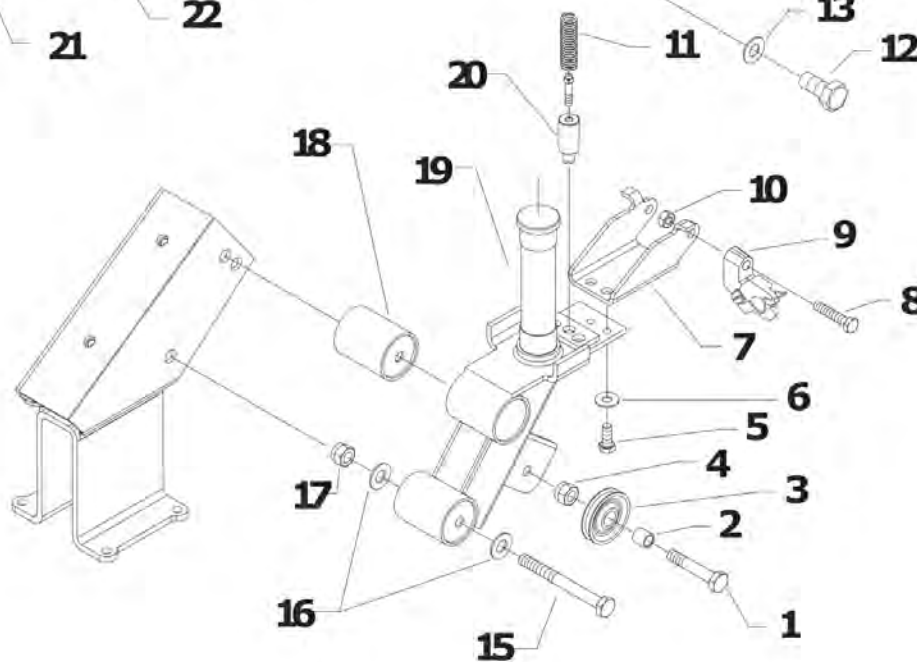
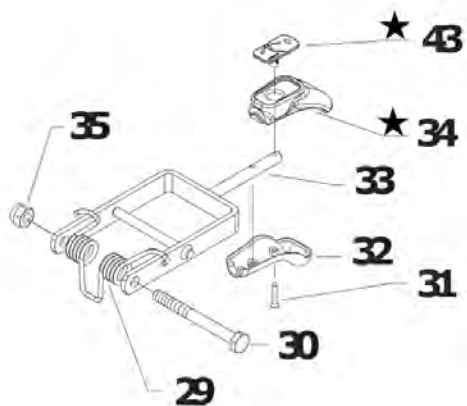
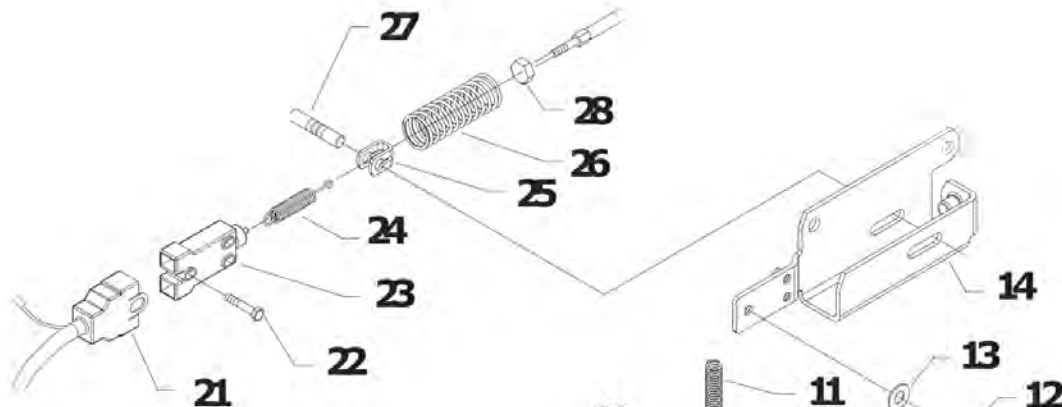
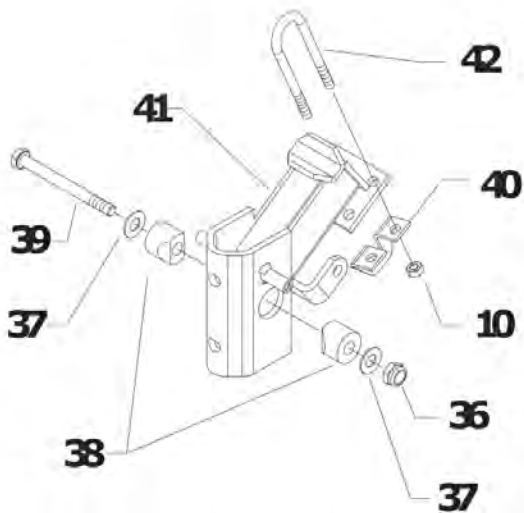
Page 80 / 147

Pos.	Id	Q.ty	Description	Note
31100451	31100451	1	SCREW 3,5X25	
31111097	31111097	1	SCREW TE M6X45 UNI 5737 8G	
31112089	31112089	1	SCREW TE M6X25 UNI 5739 8G	
31112092	31112092	1	SCREW TE M6X35 UNI 5739 8G	
31112153	31112153	1	SCREW TE M8X35 UNI 5739 8G	
31211080	31211080	1	NUT M8	
31241060	31241060	1	HEXAGON SELFLOCK NUT M6	
31241061	31241061	1	SELFLOCK NUT M6 6S	
31423084	31423084	1	SPRING WASHER 8,4	
34213020	34213020	1	ROLL PIN	
55157212	55157212	1	GRIP	
55157213	55157213	1	GRIP	
55157214	55157214	1	GRIP	
55157215	55157215	1	GRIP	
55248038	55248038	1	STOP	
55248041	55248041	1	LEVER	
55256757	55256757	1	PULLEY	
55257209	55257209	1	BUSHING	
56147655	56147655	1	CLUTCH LEVER	
56148037	56148037	1	LEVER STOP	
56148285	56148285	1	PIN	
56148287	56148287	1	STUD BOLT	
56150361	56150361	1	SPACER	
56156603	56156603	1	SPACER	
56156604	56156604	1	CLUTCH LEVER	
56157208	56157208	1	U BOLT	
58002429	58002429	1	CLAMPING SCREW	
58002538	58002538	1	ACCELERATOR	
58026222	58026222	1	LINE AND SHEATH (L=1380)	



Pos.	Id	Q.ty	Description	Note
58042067	58042067	1	LINE AND SHEATH (L=1710)	
58042167	58042167	1	SHEATH END	
58042202	58042202	1	ADJUSTING SCREW M8	
58043216	58043216	1	LINE AND SHEATH (L=1160)	
58047649	58047649	1	CLEVIS	
58048000	58048000	1	KNOB D=27	
58049670	58049670	1	LINE AND SHEATH (L=1080)	
58056154	58056154	1	RESTORING SPRING	
58056581	58056581	1	LINE AND SHEATH WS (L=2200)	
58056593	58056593	1	SPRING	
58056595	58056595	1	ADJUSTING SCREW M8	
58056605	58056605	1	SPRING	
58057211	58057211	1	TRANSMISSION	
58057263	58057263	1	CLAMPING SCREW	
58057293	58057293	1	LINE AND SHEATH (L=1310)	
58057295	58057295	1	LINE AND SHEATH (L=1170)	
58057415	58057415	1	LINE AND SHEATH M/S L=940 MF/04	
58150313	58150313	1	CABLE CLAMP	
59057120	59057120	1	COMPLETE HANDLE BAR	
59057201	59057201	1	SUPPORT	
59057210	59057210	1	COMMAND LEVER	





[Click for info](#)

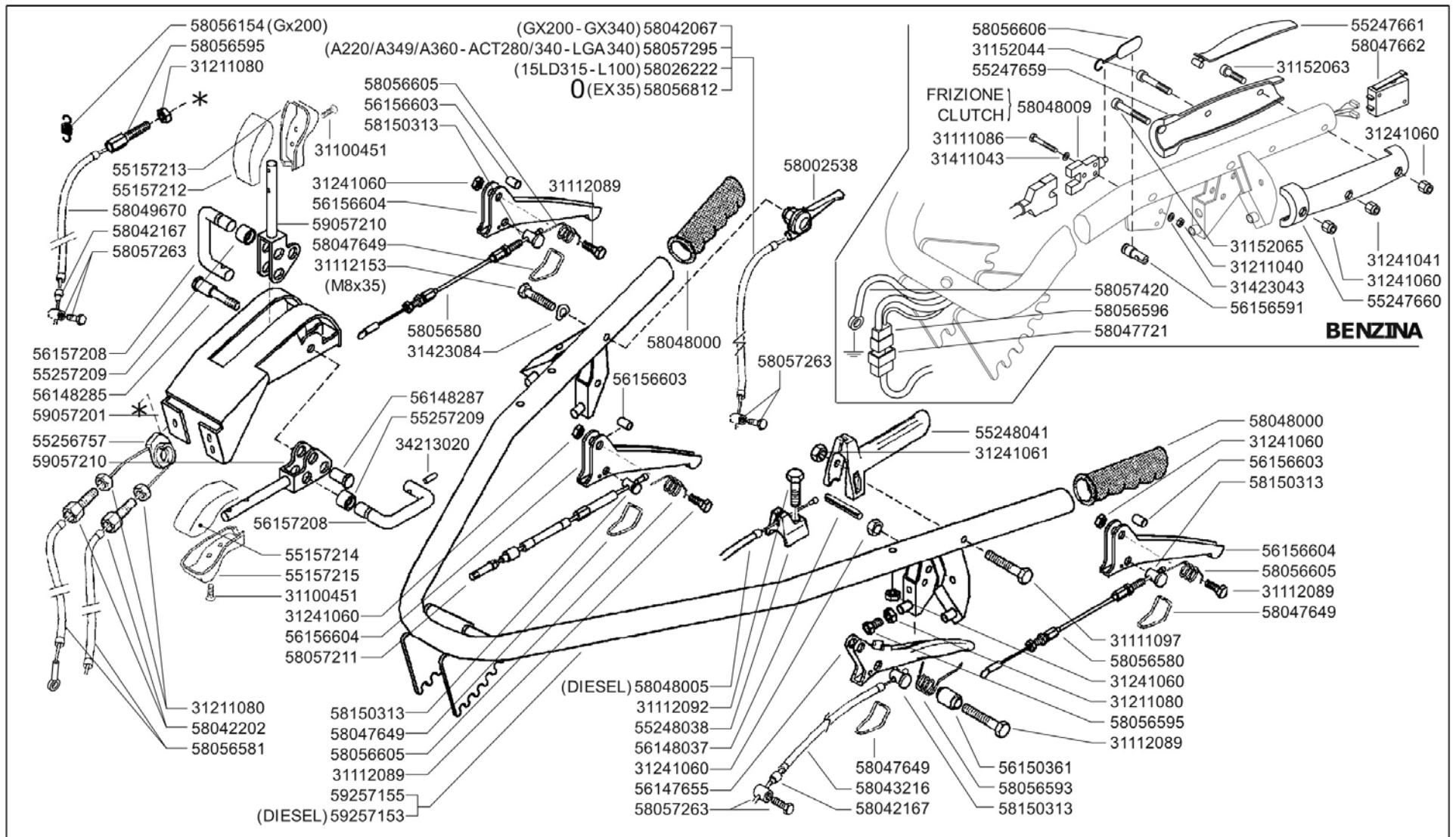
★ = new part

Pos.	Id	Q.ty	Description	Note
1	31112211		SCREW TE M10X30 UNI 5739	
2	56120364		SLEEVE	
3	55220363		PULLEY BRAKE	
4	31241100		SELFLOCK HEXAGON NUT M10	
5	31112093		SCREW TE M6X20	
6	31422064		SPRING WASHER 6,4	
7	56156881N		CONNECTION	
8	31112165		SCREW TE C/F M8X35 DIN 6921 8G	
9	59243337		ROD SUPPORT WITH SPRING	REPLACES 55243340
10	31241080		HEXAGON SELFLOCK NUT M8	
11	58056918Z		SPRING	
12	31112150		SCREW TE M8X20 UNI 5739 8G	
13	31421083		WASHER	
14	59257409		SUPPORT	
15	31112295		SCREW TE M12X90 UNI 5737	
16	31423130		SPRING WASHER EL 13 DIN 137-B	
17	31241121		SELFLOCK NUT M12	
18	30010120		SILENT-BLOCK 12X40X58X66	
19	59056886		COLUMN	
20	56356924		FERRULE	
21	58057417		WIRING MOT/STOP L=950	
22	31121024		SCREW TBCEI FL.M4X25	
23	58048009		ENGINE STOP SWITCH	
24	58047712		SPRING	
25	56157411Z		FORK	
26	58057413		RETAINING SPRING	
27	56157412		PIN	
28	31211080		NUT M8	
29	58056942N		SPRING	



Pos.	Id	Q.ty	Description	Note
30	31111229		SCREW TE M10X110 UNI 5737 8G	
31	31100451		SCREW 3,5X25	
32	55157213		GRIP	
33	59057010N		LEVER	
34	552C1776		IMPUGNATURA SUP NERA INSERTO	
35	31241100		SELFLOCK HEXAGON NUT M10	
36	31241126		SELFLOCK NUT M12	
37	31421100		CUP SPRING 25X12,2X1,5 D2093	
38	52156917		WEDGE	
39	31112293		SCREW TE M12X80 UNI 5737	
40	56156948N		STOP	
41	59056875N		COLUMN	
42	56156940		U BOLT	
43	552C1779		INSERTO REG. STEGOLE	





	500 serie GRIFON	MANUBRIO (530S GR - S MUSTER) HANDLEBAR MANILLAR	MANCHERON LENKER	DALLA MACCHINA DE LA MAQUINA DE LA MACHINE FROM THE MACHINE AB DER MASCHINE ON.	AGGIORNAMENTO	I04	Rev.
					REVISION		3
					MISE A JOUR	03/2010	
					APLAZAMIENTO ANPASSUNG		



FERRARI Motor mowers, FERRARI 2-wheel tractors - 530S GRIFON

I04_3_73066 - HANDLEBAR (530S GR - S MUSTER)

05/07/2023

Page 93 / 147

Pos.	Id	Q.ty	Description	Note
31100451	31100451	1	SCREW 3,5X25	
31111086	31111086	1	SCREW TE M4X25 UNI 5739 8G	
31111097	31111097	1	SCREW TE M6X45 UNI 5737 8G	
31112089	31112089	1	SCREW TE M6X25 UNI 5739 8G	
31112092	31112092	1	SCREW TE M6X35 UNI 5739 8G	
31112153	31112153	1	SCREW TE M8X35 UNI 5739 8G	
31152044	31152044	1	SCREW TCEI M4X35 UNI 5931	
31152063	31152063	1	SCREW TCEI M6X20 UNI 5931	
31152065	31152065	1	SCREW TCEI M6X40 UNI 5931	
31211040	31211040	1	NUT M4	
31211080	31211080	1	NUT M8	
31241041	31241041	1	SELFLOCK NUT M4 6S	
31241060	31241060	1	HEXAGON SELFLOCK NUT M6	
31241061	31241061	1	SELFLOCK NUT M6 6S	
31411043	31411043	1	WASHER 4,3X9	
31423043	31423043	1	SPRING WASHER 4,3	
31423084	31423084	1	SPRING WASHER 8,4	
34213020	34213020	1	ROLL PIN	
55157212	55157212	1	GRIP	
55157213	55157213	1	GRIP	
55157214	55157214	1	GRIP	
55157215	55157215	1	GRIP	
55247659	55247659	1	HALK KNOB	
55247660	55247660	1	HALK KNOB	
55247661	55247661	1	KEY	
55248038	55248038	1	STOP	
55248041	55248041	1	LEVER	
55256757	55256757	1	PULLEY	
55257209	55257209	1	BUSHING	

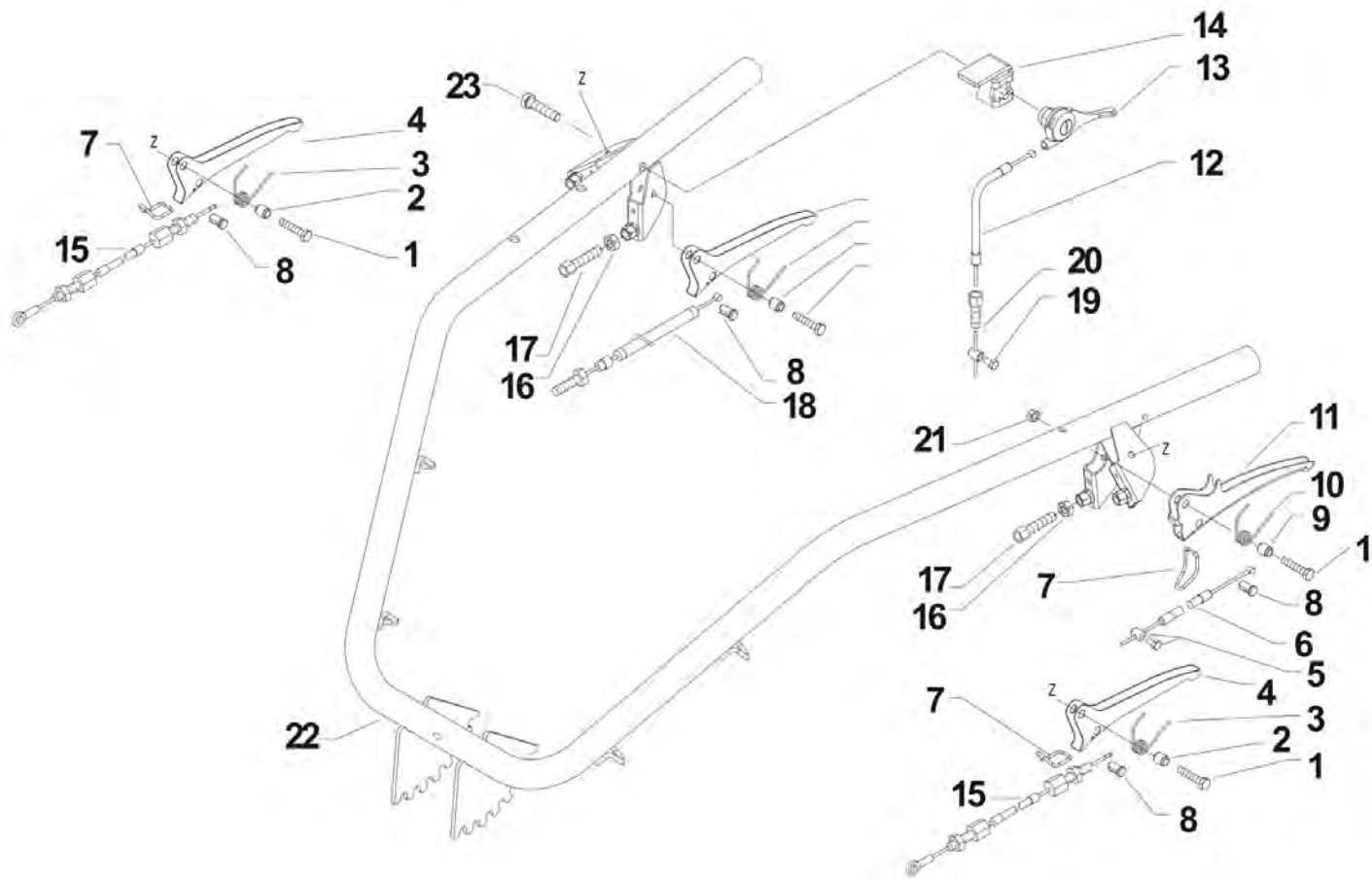


Pos.	Id	Q.ty	Description	Note
56147655	56147655	1	CLUTCH LEVER	
56148037	56148037	1	LEVER STOP	
56148285	56148285	1	PIN	
56148287	56148287	1	STUD BOLT	
56150361	56150361	1	SPACER	
56156591	56156591	1	CABLE CLAMP D=8	
56156603	56156603	1	SPACER	
56156604	56156604	1	CLUTCH LEVER	
56157208	56157208	1	U BOLT	
58002538	58002538	1	ACCELERATOR	
58026222	58026222	1	LINE AND SHEATH (L=1380)	
58042067	58042067	1	LINE AND SHEATH (L=1710)	
58042167	58042167	1	SHEATH END	
58042202	58042202	1	ADJUSTING SCREW M8	
58043216	58043216	1	LINE AND SHEATH (L=1160)	
58047649	58047649	1	CLEVIS	
58047662	58047662	1	MICROSWITCH	
58047721	58047721	1	WIRING	
58048000	58048000	1	KNOB D=27	
58048005	58048005	1	LINE AND SHEATH (L=1170)	
58048009	58048009	1	ENGINE STOP SWITCH	
58049670	58049670	1	LINE AND SHEATH (L=1080)	
58056154	58056154	1	RESTORING SPRING	
58056580	58056580	1	TRANSMISSION	
58056581	58056581	1	LINE AND SHEATH WS (L=2200)	
58056593	58056593	1	SPRING	
58056595	58056595	1	ADJUSTING SCREW M8	
58056596	58056596	1	WIRING	
58056605	58056605	1	SPRING	



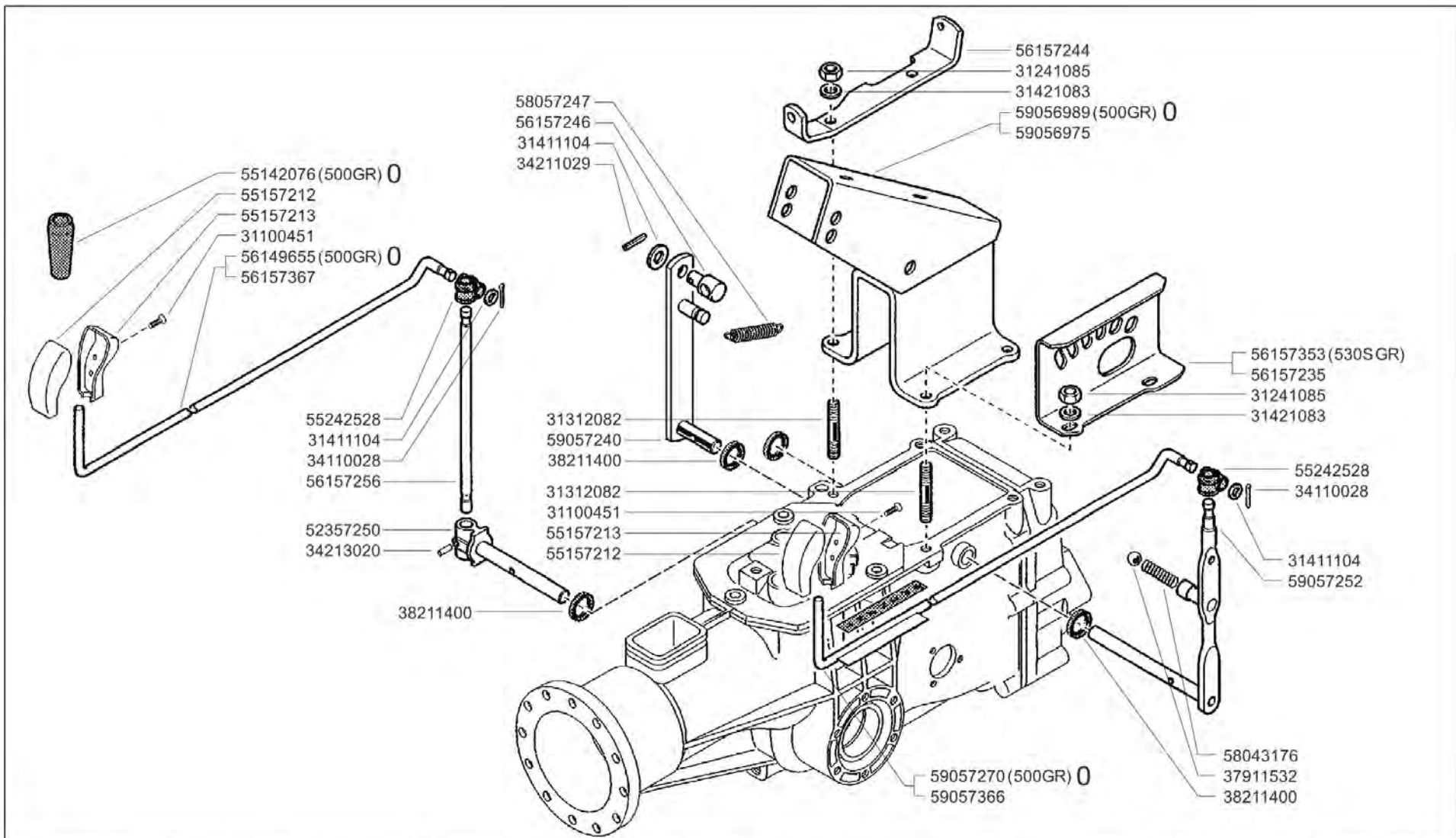
Pos.	Id	Q.ty	Description	Note
58056606	58056606	1	SPRING	
58056812	58056812	1	LINE AND SHEATH L=1680	
58057211	58057211	1	TRANSMISSION	
58057263	58057263	1	CLAMPING SCREW	
58057293	58057293	1	LINE AND SHEATH (L=1310)	
58057295	58057295	1	LINE AND SHEATH (L=1170)	
58057420	58057420	1	WIRING L=1250	
58150313	58150313	1	CABLE CLAMP	
59057201	59057201	1	SUPPORT	
59057210	59057210	1	COMMAND LEVER	
59257153	59257153	1	HANDLE BAR	
59257155	59257155	1	HANDLE BAR	





Pos.	Id	Q.ty	Description	Note
1	31112089	1	SCREW TE M6X25 UNI 5739 8G	
2	56156603	1	SPACER	
3	58050345	1	SPRING	
4	56156604	1	CLUTCH LEVER	
5	58057263	1	CLAMPING SCREW	
6	58043216	1	LINE AND SHEATH (L=1160)	
7	58047649	1	CLEVIS	
8	58150313	1	CABLE CLAMP	
9	56150361	1	SPACER	
10	58056593	1	SPRING	
11	56147655	1	CLUTCH LEVER	
12	58026222	1	LINE AND SHEATH (L=1380)	For motors 15LD315 / L100
12	58042067	1	LINE AND SHEATH (L=1710)	For motors GX200 / GX340
12	58056812	1	LINE AND SHEATH L=1680	For the engine EX35
12	58057295	1	LINE AND SHEATH (L=1170)	For motors ACT280 / ACT340
13	58002538	1	ACCELERATOR	
14	56156874N	1	PANEL	
15	58056580	1	TRANSMISSION	
16	31211080	1	NUT M8	
17	58056595	1	ADJUSTING SCREW M8	
18	58057211	1	TRANSMISSION	
19	58156156	1	TERMINAL	For the engine GX390
20	58147704	1	ADJUSTING SCREW	For the engine GX390
21	31241060	1	HEXAGON SELFLOCK NUT M6	
22	59257050	1	HANDLEBARS	
22	59257052	1	HANDLE BAR	For diesel engines





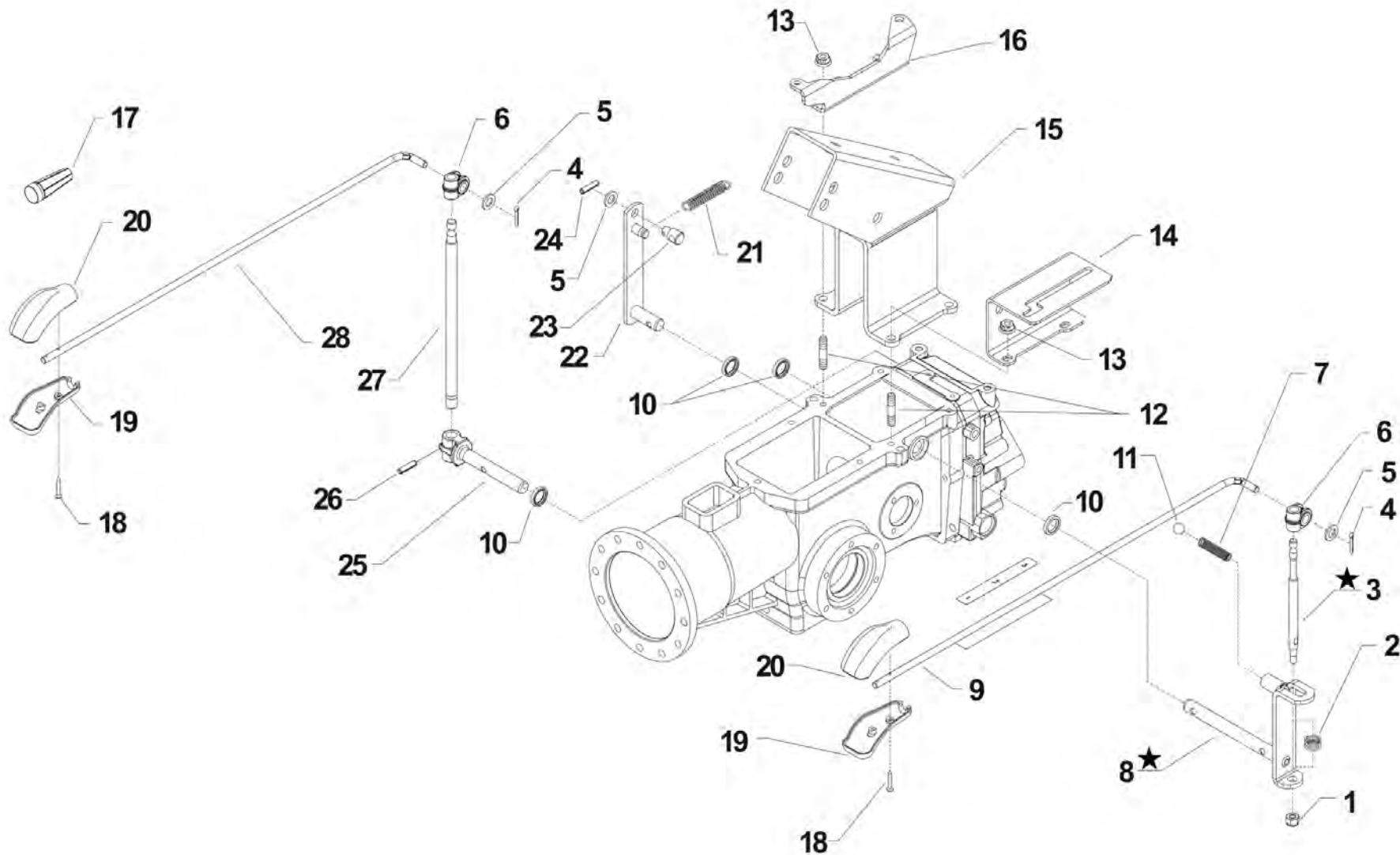
	500 serie GRIFON	COMANDI (500GR 0 - 520GR - 530GR - 530S GR - SMUSTER)		DALLA MACCHINA DE LA MAQUINA DE LA MACHINE FROM THE MACHINE AB DER MASCHINE ON.	AGGIORNAMENTO	J02	Rev.
		CONTROLS MANDOS	COMMANDES ANTRIEBE		REVISION MISE A JOUR APLAZAMIENTO ANPASSUNG		1
					06/2006		77MMF

Pos.	Id	Q.ty	Description	Note
31100451	31100451	1	SCREW 3,5X25	
31241085	31241085	1	SELFLOCK NUT M8 6S	
31312082	31312082	1	STUD BOLT M8X38X14X20	
31411104	31411104	1	WASHER 10,5x18	
31421083	31421083	1	WASHER	
34110028	34110028	1	SPLIT PIN A3X15 UNI 1336	
34211029	34211029	1	ROLL PIN	
34213020	34213020	1	ROLL PIN	
37911532	37911532	1	BALL 15/32	
38211400	38211400	1	OIL SEAL 14X22X4	
52357250	52357250	1	PIN	
55142076	55142076	1	KNOB	
55157212	55157212	1	GRIP	
55157213	55157213	1	GRIP	
55242528	55242528	1	JOINT	
56149655	56149655	1	PULL ROD	
56157235	56157235	1	GEAR SELECTOR	
56157244	56157244	1	STOP	
56157246	56157246	1	STOP	
56157256	56157256	1	PTO LEVER	
56157353	56157353	1	GEAR SELECTOR	
56157367	56157367	1	ROD	
58043176	58043176	1	SPRING	
58057247	58057247	1	SPRING	
59056975	59056975	1	SUPPORT	
59056989	59056989	1	SUPPORT	
59057240	59057240	1	LEVER	
59057252	59057252	1	GEAR LEVER	
59057270	59057270	1	GEARSHIFT ROD	



Pos.	Id	Q.ty	Description	Note
59057366	59057366	1	PULL ROD	





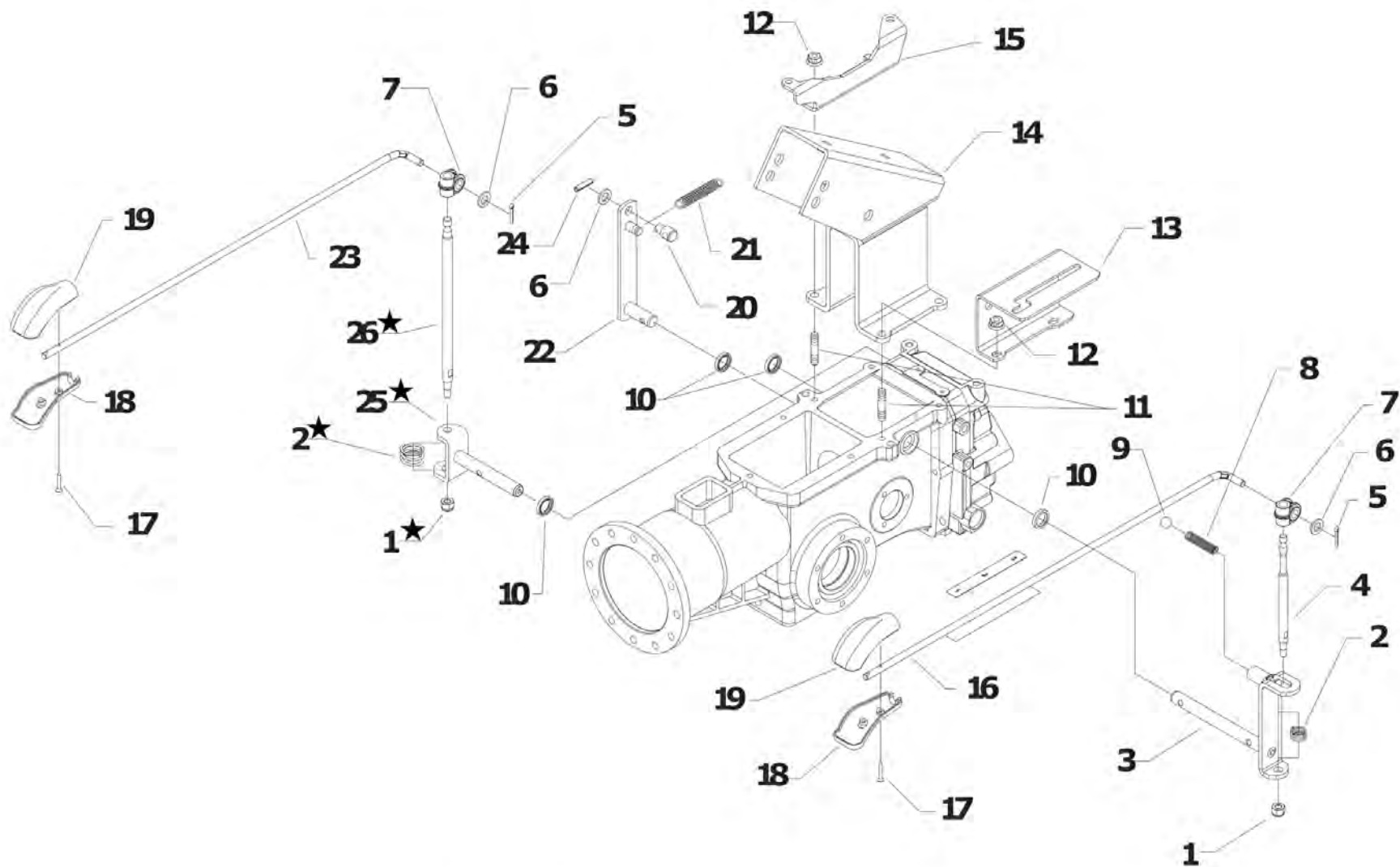
i = info - stop 2 sec. ★ = new part

Pos.	Id	Q.ty	Description	Note
1	31241080		HEXAGON SELFLOCK NUT M8	
2	58057232Z		SPRING	
3	56356738Z		COMMAND LEVER	REPLACES 59057430N + 56157271N
4	34110028		SPLIT PIN A3X15 UNI 1336	
5	31411104		WASHER 10,5x18	
6	55242528		JOINT	
7	58043176		SPRING	
8	590C1008N		GEAR LEVER	REPLACES 59057430N + 56157271N
9	59057270		GEARSHIFT ROD	600M
9	59057366		PULL ROD	
10	38211400		OIL SEAL 14X22X4	
11	37911532		BALL 15/32	
12	31312082		STUD BOLT M8X38X14X20	
13	31241084		SELFLOCK NUT M8 6S	
14	56157424H		GEARS SELECTOR	
14	56157432H		SPEED SELECTOR	WS
15	59056975		SUPPORT	
15	59056989		SUPPORT	600M
16	56157429N		CONTRASTO LEVA INVERTITORE MF	
17	55142076		KNOB	600M
18	31100451		SCREW 3,5X25	
19	55157213		GRIP	
20	55157212		GRIP	
21	58057247		SPRING	
22	59057240		LEVER	
23	56157246		STOP	
24	34211029		ROLL PIN	
25	52357250		PIN	
26	34213020		ROLL PIN	



Pos.	Id	Q.ty	Description	Note
27	56157256		PTO LEVER	
28	56149655		PULL ROD	600M
28	56157367		ROD	





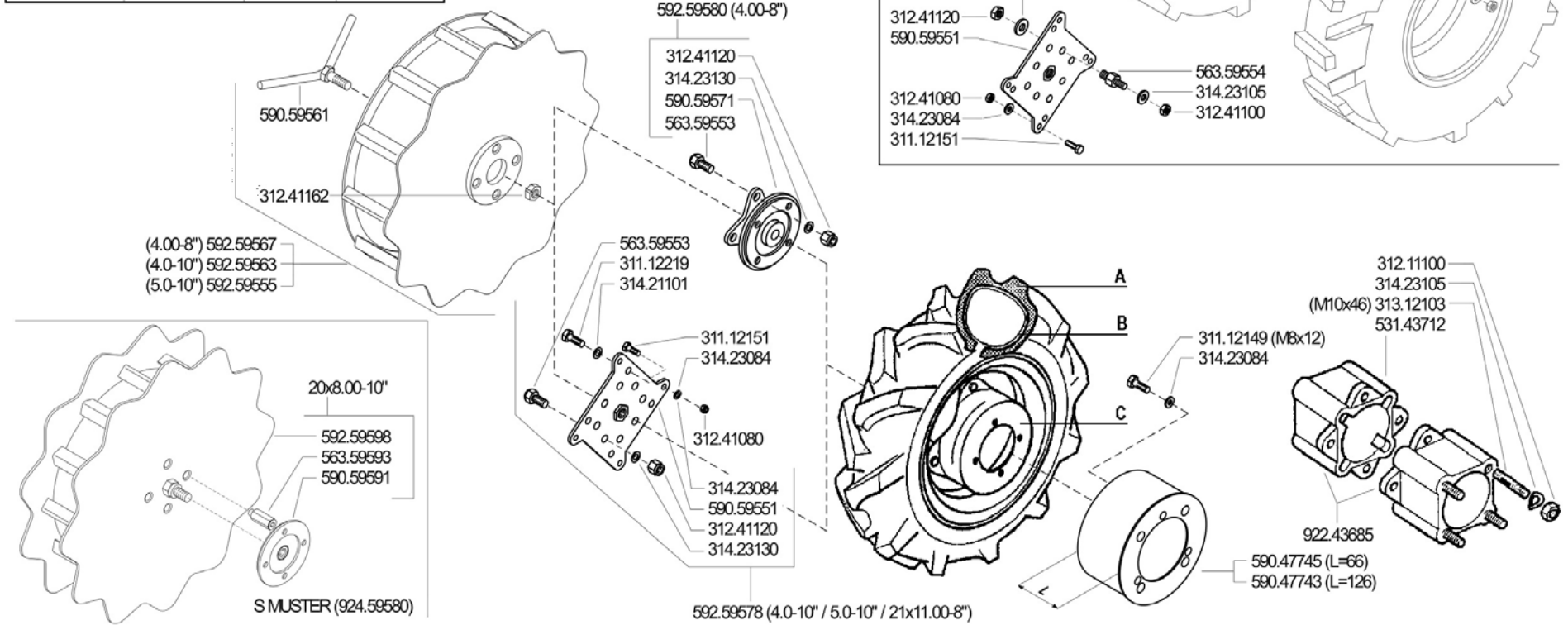
[Click for info](#)

★ = new part

Pos.	Id	Q.ty	Description	Note
1	31241080		HEXAGON SELFLOCK NUT M8	
2	58057232Z		SPRING	
3	590C1008N		GEAR LEVER	
4	56356738Z		COMMAND LEVER	
5	34110028		SPLIT PIN A3X15 UNI 1336	
6	31411104		WASHER 10,5x18	
7	55242528		JOINT	
8	58043176		SPRING	
9	37911532		BALL 15/32	
10	38211400		OIL SEAL 14X22X4	
11	31312082		STUD BOLT M8X38X14X20	
12	31241084		SELFLOCK NUT M8 6S	
13	56157424H		GEARS SELECTOR	
13	56157432H		SPEED SELECTOR	630WS MAX
14	59056975		SUPPORT	
15	56157429N		CONTRASTO LEVA INVERTITORE MF	
16	59057366		PULL ROD	
17	31100451		SCREW 3,5X25	
18	55157213		GRIP	
19	55157212		GRIP	
20	56157246		STOP	
21	58057247		SPRING	
22	59057240		LEVER	
23	56157367		ROD	
24	34211029		ROLL PIN	
25	590C1040Z		COMPLETE PTO LEVER GALV.	
26	561C1045ZD		PTO LEVER	



	A	B	C
3.50 - 8" (500)	391.13502	394.13502	580.52325
3.50 - 8"	391.13502	394.13502	580.52326
4.00 - 8"	391.14008	394.14008	580.52326
4.0 - 10"	391.14010	394.14010	580.52327
5.0 - 10"	391.15010	394.15010	580.52327
6.5 / 80 - 12"	391.16018	394.16018	F0849044070
21 x 11.00 - 8"	391.13501	TUBELESS	580.52274
20 x 8.00 - 10"	391.18021 (TR)	394.16025	580.52281
20 x 8.00 - 10"	391.18020 (GA)	394.15010	580.52281



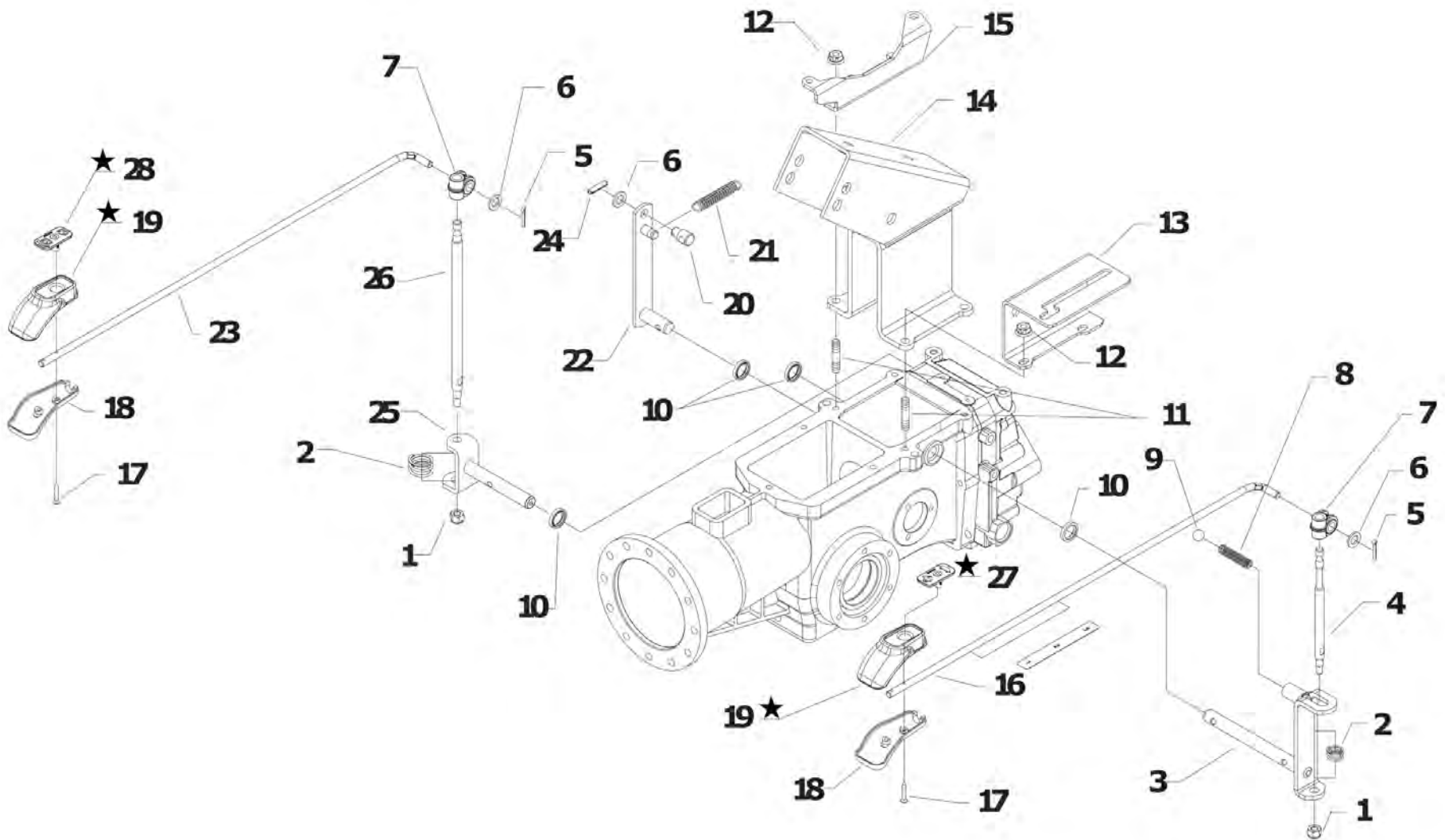
	500 serie GRIFON	RUOTE WHEELS RUEDAS ROUES RÄDER	DALLA MACCHINA DE LA MAQUINA DE LA MACHINE FROM THE MACHINE AB DER MASCHINE	Rev. 0
			N.	L01 09/2004

Pos.	Id	Q.ty	Description	Note
31112149	31112149	1	SCREW TE M8X12 UNI 5739 8G	
31112151	31112151	1	SCREW TE M8X25 UNI 5739 8G	
31112219	31112219	1	SCREW TE M10X25 UNI 5739	
31211100	31211100	1	NUT M10	
31241080	31241080	1	HEXAGON SELFLOCK NUT M8	
31241100	31241100	1	SELFLOCK HEXAGON NUT M10	
31241120	31241120	1	SELFLOCK NUT M12	
31241162	31241162	1	SELFLOCK NUT M16 DIN 985	
31312103	31312103	1	STUD BOLT M10X46X24X16	
31421101	31421101	1	WASHER 10 DIN 679	
31423084	31423084	1	SPRING WASHER 8,4	
31423105	31423105	1	SPRING WASHER 10,5	
31423130	31423130	1	SPRING WASHER EL 13 DIN 137-B	
39113501	39113501	1	TYRE 21X11.00-8	
39113502	39113502	1	TYRE 3.50-8 2PR	
39114008	39114008	1	TYRE 4.00-8 2PR	
39114010	39114010	1	TYRE 4.0-10 2PR	
39115010	39115010	1	TYRE 5.00-10 2PR	
39116018	39116018	1	TYRE 6.5/80-12 2PR	
39118020	39118020	1	TYRE 20X8.00-10 4PR	
39118021	39118021	1	COVER 20x8.00-10 FLAT-TR	
39413502	39413502	1	INNER TUBE X 3.50-8	
39414008	39414008	1	INNER TUBE X 4.00-8	
39414010	39414010	1	INNER TUBE x 4.0-10	
39415010	39415010	1	INNER TUBE X 4.0/5.0-10	
39416018	39416018	1	INNER TUBE X 6-5/80-12	
39416025	39416025	1	INNER TUBE X 20X8.00-10 TR	
53143712	53143712	1	SPACER	
56359553	56359553	1	PIN	



Pos.	Id	Q.ty	Description	Note
56359554	56359554	1	PIN	
56359593	56359593	1	DRIVING PIN	
58052274	58052274	1	RIM 8.50-8 NHRWS	
58052281	58052281	1	RIM 6.00I-10	
58052325	58052325	1	RIM 2.50-8 MF	
58052326	58052326	1	RIM	
58052327	58052327	1	RIM	
59047743	59047743	1	HUBCOVER	
59047745	59047745	1	HUBCOVER	
59059551	59059551	1	FLANGE	
59059561	59059561	1	SCREW	
59059571	59059571	1	FLANGE	
59059591	59059591	1	SPACER	
59259555	59259555	1	SUPER-BITE WHEEL X 5.00-10	
59259563	59259563	1	WHEEL	
59259567	59259567	1	WHEEL	
59259578	59259578	1	FLANGE KIT	
59259580	59259580	1	FLANGE KIT	
59259598	59259598	1	WHEEL	
92243685	92243685	1	WHEEL SPACERS CM 6 (PAIR)	
92457794	92457794	1	ADAPTER PLATES FOR WHEELS (PAIR)	
92459580	92459580	1	RUOTE SUPER BITE 20X8.00-10 (COPPIA)	
F0849044070	F0849044070	1	WHEEL DISC	





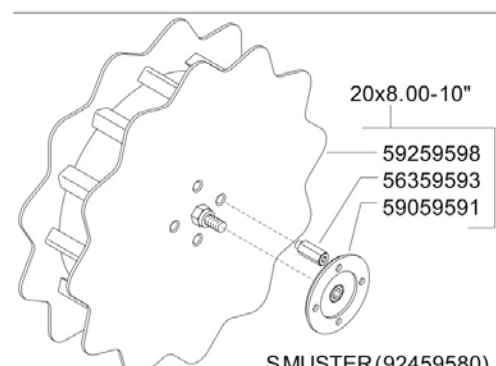
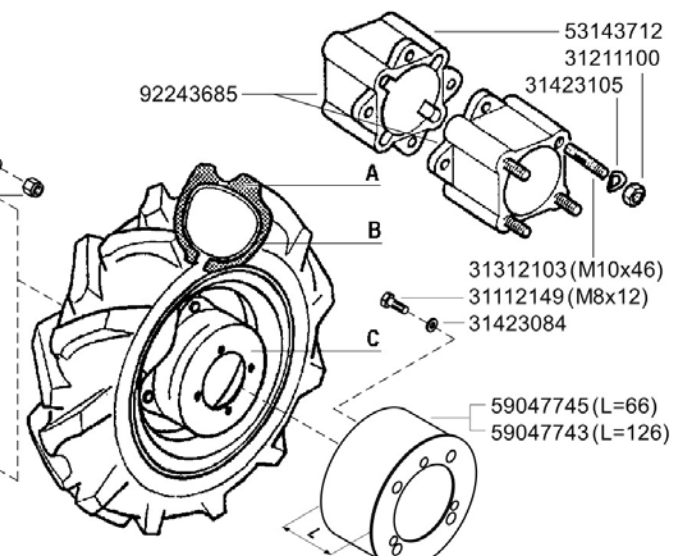
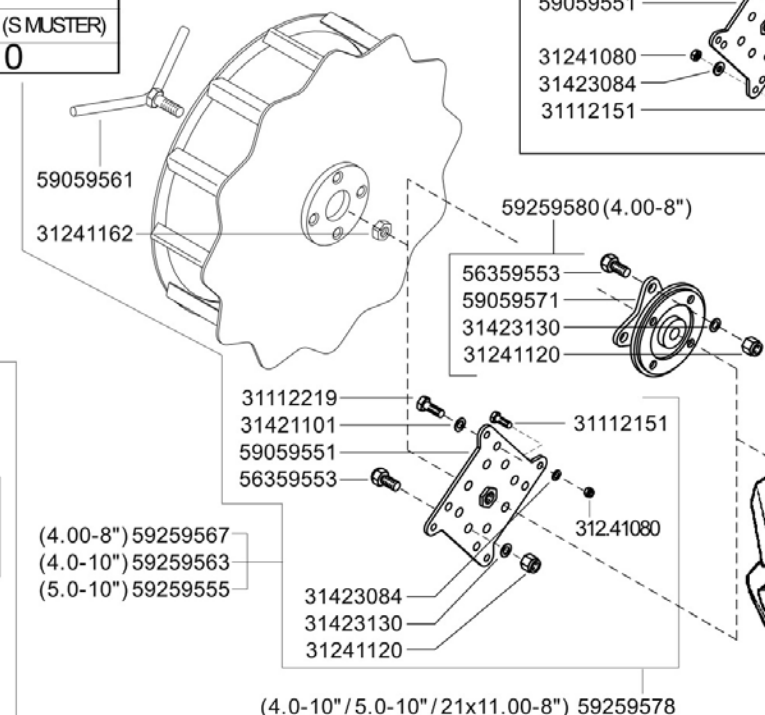
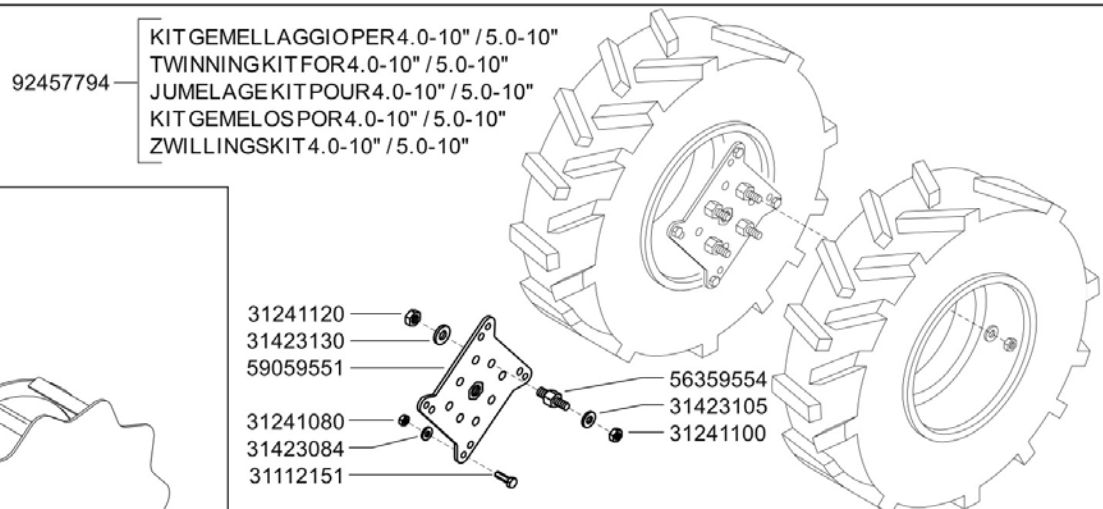
[Click for info](#)

★ = new part

Pos.	Id	Q.ty	Description	Note
1	31241080		HEXAGON SELFLOCK NUT M8	
2	58057232Z		SPRING	
3	590C1008N		GEAR LEVER	
4	56356738Z		COMMAND LEVER	
5	34110028		SPLIT PIN A3X15 UNI 1336	
6	31411104		WASHER 10,5x18	
7	55242528		JOINT	
8	58043176		SPRING	
9	37911532		BALL 15/32	
10	38211400		OIL SEAL 14X22X4	
11	31312082		STUD BOLT M8X38X14X20	
12	31241084		SELFLOCK NUT M8 6S	
13	56157424H		GEARS SELECTOR	
13	56157432H		SPEED SELECTOR	630WS MAX
14	59056975		SUPPORT	
15	56157429N		CONTRASTO LEVA INVERTITORE MF	
16	59057366		PULL ROD	
17	31100451		SCREW 3,5X25	
18	55157213		GRIP	
19	552C1776		IMPUGNATURA SUP NERA INSERTO	
20	56157246		STOP	
21	58057247		SPRING	
22	59057240		LEVER	
23	56157367		ROD	
24	34211029		ROLL PIN	
25	590C1040Z		COMPLETE PTO LEVER GALV.	
26	561C1045ZD		PTO LEVER	
27	552C1782		INSERTO MARCIA MF	
28	552C1780		INSERTO PTO MF	



	A	B	C
3.50 - 8" (500)	39113502	39413502	58052325
3.50 - 8"	39113502	39413502	58052326
4.00 - 8"	39114008	39414008	58052326
4.0 - 10"	39114010	39414010	58052327
4.0 - 10"	39114010	39414010	58052289 (FIX) 0
5.0 - 10"	39115010	39415010	58052327
5.0 - 10"	39115010	39415010	58052289 (FIX) 0
6.5 / 80 - 12"	39116018	39416018	F0849044070
21 x 11.00 - 8"	39113501	TUBELESS	58052274
20 x 8.00 - 10"	39118021 (TR)	39416025	58052281
20 x 8.00 - 10"	39118020 (GA)	39415010	58052280 (SMUSTER)
16 x 6.50 - 8"	39111608	39411608	58052297 0



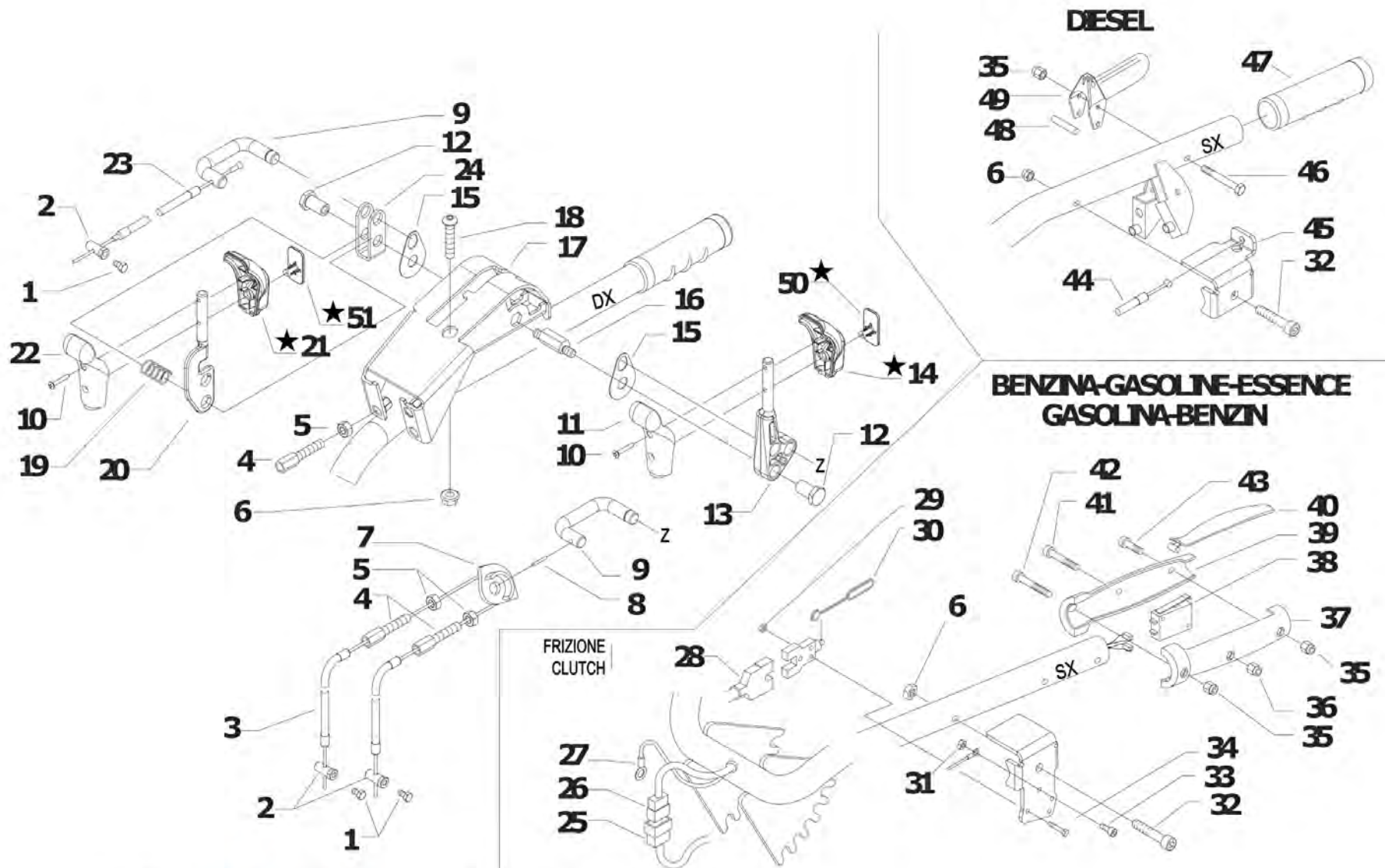
	500 serie GRIFON	RUOTE WHEELS RUEDAS ROUES RÄDER	DALLA MACCHINA DE LA MAQUINA DE LA MACHINE FROM THE MACHINE AB DER MASCHINE ON.	AGGIORNAMENTO	L01	Rev. 2
				REVISION		
				MISE A JOUR		
				APLAZAMIENTO		
				ANPASSUNG		

Pos.	Id	Q.ty	Description	Note
31112149	31112149	1	SCREW TE M8X12 UNI 5739 8G	
31112151	31112151	1	SCREW TE M8X25 UNI 5739 8G	
31112219	31112219	1	SCREW TE M10X25 UNI 5739	
31211100	31211100	1	NUT M10	
31241080	31241080	1	HEXAGON SELFLOCK NUT M8	
31241100	31241100	1	SELFLOCK HEXAGON NUT M10	
31241120	31241120	1	SELFLOCK NUT M12	
31241162	31241162	1	SELFLOCK NUT M16 DIN 985	
31312103	31312103	1	STUD BOLT M10X46X24X16	
31421101	31421101	1	WASHER 10 DIN 679	
31423084	31423084	1	SPRING WASHER 8,4	
31423105	31423105	1	SPRING WASHER 10,5	
31423130	31423130	1	SPRING WASHER EL 13 DIN 137-B	
39111608	39111608	1	TYRE 16X6.50-8 4PR	
39113501	39113501	1	TYRE 21X11.00-8	
39113502	39113502	1	TYRE 3.50-8 2PR	
39114008	39114008	1	TYRE 4.00-8 2PR	
39114010	39114010	1	TYRE 4.0-10 2PR	
39115010	39115010	1	TYRE 5.00-10 2PR	
39116018	39116018	1	TYRE 6.5/80-12 2PR	
39118020	39118020	1	TYRE 20X8.00-10 4PR	
39118021	39118021	1	COVER 20x8.00-10 FLAT-TR	
39411608	39411608	1	INNER TUBE PER 16-6.50-8	
39413502	39413502	1	INNER TUBE X 3.50-8	
39414008	39414008	1	INNER TUBE X 4.00-8	
39414010	39414010	1	INNER TUBE x 4.0-10	
39415010	39415010	1	INNER TUBE X 4.0/5.0-10	
39416018	39416018	1	INNER TUBE X 6-5/80-12	
39416025	39416025	1	INNER TUBE X 20X8.00-10 TR	



Pos.	Id	Q.ty	Description	Note
53143712	53143712	1	SPACER	
56359553	56359553	1	PIN	
56359554	56359554	1	PIN	
56359593	56359593	1	DRIVING PIN	
58052274	58052274	1	RIM 8.50-8 NHRWS	
58052280	58052280	1	RIM 6.00I-10	
58052281	58052281	1	RIM 6.00I-10	
58052289	58052289	1	RIM 3.50-10 S2	
58052297	58052297	1	RIM 5.25X8	
58052325	58052325	1	RIM 2.50-8 MF	
58052326	58052326	1	RIM	
58052327	58052327	1	RIM	
59047743	59047743	1	HUBCOVER	
59047745	59047745	1	HUBCOVER	
59059551	59059551	1	FLANGE	
59059561	59059561	1	SCREW	
59059571	59059571	1	FLANGE	
59059591	59059591	1	SPACER	
59259555	59259555	1	SUPER-BITE WHEEL X 5.00-10	
59259563	59259563	1	WHEEL	
59259567	59259567	1	WHEEL	
59259578	59259578	1	FLANGE KIT	
59259580	59259580	1	FLANGE KIT	
59259598	59259598	1	WHEEL	
92243685	92243685	1	WHEEL SPACERS CM 6 (PAIR)	
92457794	92457794	1	ADAPTER PLATES FOR WHEELS (PAIR)	
92459580	92459580	1	RUOTE SUPER BITE 20X8.00-10 (COPPIA)	
F0849044070	F0849044070	1	WHEEL DISC	





[Click for info](#)

★ = new part



Pos.	Id	Q.ty	Description	Note
1	31112090	1	SCREW TE M6X16 UNI 5739 8G	
2	56356840Z	1	CLAMPING SCREW	
3	58056581	1	LINE AND SHEATH WS (L=2200)	
4	58056595	1	ADJUSTING SCREW M8	
5	31211080	1	NUT M8	
6	31241084	1	SELFLOCK NUT M8 6S	
7	55256757	1	PULLEY	
8	34213020	1	ROLL PIN	
9	56156832Z	1	U BOLT	
10	31100451	1	SCREW 3,5X25	
11	55157213	1	GRIP	
12	56148287	1	STUD BOLT	
13	53156860	1	COMMAND LEVER	
14	552C1776	1	IMPUGNATURA SUP NERA INSERTO	
15	56356833Z	1	SMALL PLATE	
16	56356858Z	1	PIN	
17	59256850	1	SUPPORT	
18	31121020	1	SCREW TBCEI M8X40 ISO7380 10K Z	
19	58049830	1	SPRING	
20	52156810Z	1	COMMAND LEVER	
21	552C1786	1	IMPUGNATURA SUP ROSSA INSERTO	
22	55157215	1	GRIP	
23	58049670	1	LINE AND SHEATH (L=1080)	
24	56156859Z	1	FORK	
25	58043344	1	WIRING	
26	58056596	1	WIRING	
27	58057420	1	WIRING L=1250	
28	58048009	1	ENGINE STOP SWITCH	
29	31241042	1	SELFLOCK NUT M4 FL.6S	



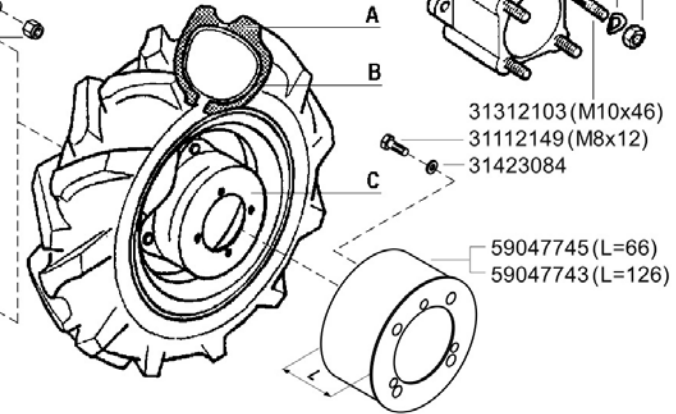
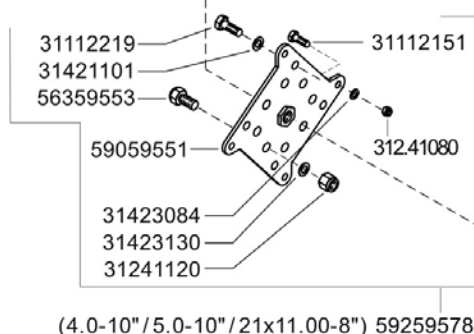
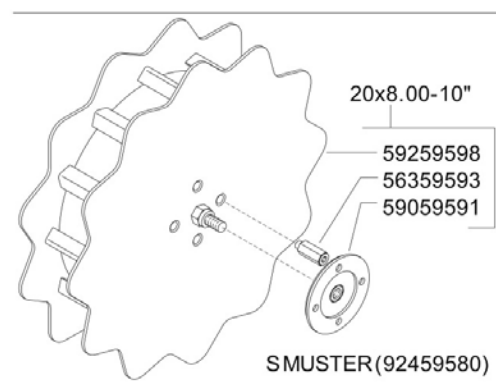
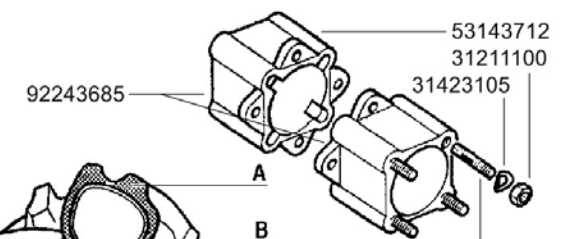
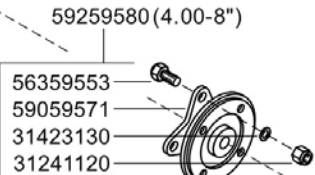
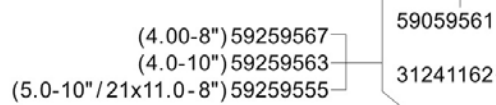
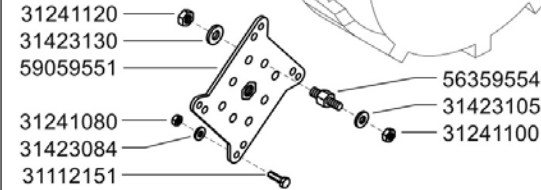
Pos.	Id	Q.ty	Description	Note
30	58056606	1	SPRING	
31	31241042	1	SELFLOCK NUT M4 FL.6S	
32	31121021	1	SCREW TBCEI M8X50 ISO7380	
33	31152041	1	SCREW TCEI M4X16 UNI 5931	
34	31121024	1	SCREW TBCEI FL.M4X25	
35	31241060	1	HEXAGON SELFLOCK NUT M6	
36	31241041	1	SELFLOCK NUT M4 6S	
37	55247660	1	HALK KNOB	
38	58047662	1	MICROSWITCH	
39	55247659	1	HALK KNOB	
40	55247661	1	KEY	
41	31152044	1	SCREW TCEI M4X35 UNI 5931	
42	31152065	1	SCREW TCEI M6X40 UNI 5931	
43	31152063	1	SCREW TCEI M6X20 UNI 5931	
44	58048005	1	LINE AND SHEATH (L=1170)	
45	56157433	1	PANEL	
46	31111097	1	SCREW TE M6X45 UNI 5737 8G	
47	58048000	1	KNOB D=27	
48	56148037	1	LEVER STOP	
49	55248041	1	LEVER	
50	552C1778		INSERTO FRENO DI STAZIONAMENTO	
51	552C1784		INSERTO FRECCE	



	A	B	C
3.50 - 8" (500)	39113502	39413502	58043370 0
3.50 - 8"	39113502	39413502	58043250 0
4.00 - 8"	39114008	39414008	58043250 0
4.0 - 10"	39114010	39415010 0(1)	58048330 0
5.0 - 10"	39115010	39415010	58048330 0
6.5 / 80 - 12"	39116018	39416018	58044804 0
21 x 11.00 - 8"	39113501	TUBELESS	58057795 0
20 x 8.00 - 10"	39118021 (TR)	39416025	58057799 0
20 x 8.00 - 10"	39118020 (GA)	39415010	58057797 0 (SMUSTER)
16 x 6.50 - 8"	39111665 0(2)	39411608	58057839 0

(1) sostituisce **39414010**
(2) **ERRATA CORRIGE**

92457794
KIT GEMELLAGGIOPER 4.0-10" / 5.0-10"
TWINNINGKIT FOR 4.0-10" / 5.0-10"
JUMELAGEKIT POUR 4.0-10" / 5.0-10"
KIT GEMELOS POR 4.0-10" / 5.0-10"
ZWILLINGSKIT 4.0-10" / 5.0-10"



	500 serie GRIFON	RUOTE WHEELS RUEDAS ROUES RÄDER	DALLA MACCHINA DE LA MAQUINA DE LA MACHINE FROM THE MACHINE AB DER MASCHINE ON.	AGGIORNAMENTO	L01	Rev. 3
				REVISION		
				MISE A JOUR		
				APLAZAMIENTO		
				ANPASSUNG		

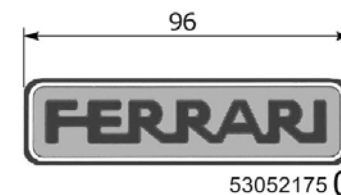
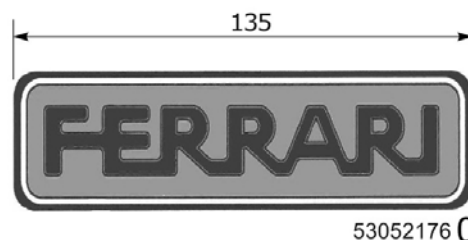
Pos.	Id	Q.ty	Description	Note
31112151	31112151	1	SCREW TE M8X25 UNI 5739 8G	
31112219	31112219	1	SCREW TE M10X25 UNI 5739	
31211100	31211100	1	NUT M10	
31241080	31241080	1	HEXAGON SELFLOCK NUT M8	
31241100	31241100	1	SELFLOCK HEXAGON NUT M10	
31241120	31241120	1	SELFLOCK NUT M12	
31241162	31241162	1	SELFLOCK NUT M16 DIN 985	
31312103	31312103	1	STUD BOLT M10X46X24X16	
31421101	31421101	1	WASHER 10 DIN 679	
31423084	31423084	1	SPRING WASHER 8,4	
31423105	31423105	1	SPRING WASHER 10,5	
31423130	31423130	1	SPRING WASHER EL 13 DIN 137-B	
39111608	39111608	1	TYRE 16X6.50-8 4PR	
39111665	39111665	1	TYRE 16X6.50-8 4PR	
39113501	39113501	1	TYRE 21X11.00-8	
39113502	39113502	1	TYRE 3.50-8 2PR	
39114008	39114008	1	TYRE 4.00-8 2PR	
39114010	39114010	1	TYRE 4.0-10 2PR	
39115010	39115010	1	TYRE 5.00-10 2PR	
39116018	39116018	1	TYRE 6.5/80-12 2PR	
39118020	39118020	1	TYRE 20X8.00-10 4PR	
39118021	39118021	1	COVER 20x8.00-10 FLAT-TR	
39411608	39411608	1	INNER TUBE PER 16-6.50-8	
39413502	39413502	1	INNER TUBE X 3.50-8	
39414008	39414008	1	INNER TUBE X 4.00-8	
39415010	39415010	1	INNER TUBE X 4.0/5.0-10	
39416018	39416018	1	INNER TUBE X 6-5/80-12	
39416025	39416025	1	INNER TUBE X 20X8.00-10 TR	
53143712	53143712	1	SPACER	



Pos.	Id	Q.ty	Description	Note
56359553	56359553	1	PIN	
56359554	56359554	1	PIN	
56359593	56359593	1	DRIVING PIN	
58043250	58043250	1	RIM 2.50-8	
58043370	58043370	1	RIM 2.50-8	
58044804	58044804	1	RIM 5JA12	
58048330	58048330	1	RIM 3.50D10 CR	
58057795	58057795	1	RIM 8.50-8	
58057797	58057797	1	RIM 6.00I-10 MUSTER	
58057799	58057799	1	RIM 6.00I-10	
58057839	58057839	1	RIM 5.25X8	
59047743	59047743	1	HUBCOVER	
59047745	59047745	1	HUBCOVER	
59059551	59059551	1	FLANGE	
59059561	59059561	1	SCREW	
59059571	59059571	1	FLANGE	
59059591	59059591	1	SPACER	
59259555	59259555	1	SUPER-BITE WHEEL X 5.00-10	
59259563	59259563	1	WHEEL	
59259567	59259567	1	WHEEL	
59259578	59259578	1	FLANGE KIT	
59259580	59259580	1	FLANGE KIT	
59259598	59259598	1	WHEEL	
92243685	92243685	1	WHEEL SPACERS CM 6 (PAIR)	
92457794	92457794	1	ADAPTER PLATES FOR WHEELS (PAIR)	
92459580	92459580	1	RUOTE SUPER BITE 20X8.00-10 (COPPIA)	



500 GRIFON 58052165



515 GRIFON 58052183 0

530 S
58052190 0

515L GRIFON 58052184 0

520 GRIFON 58052187 0

515S GRIFON 58052185 0

530 GRIFON 58052188 0

515SL GRIFON 58052186 0

530S GRIFON 58052189 0

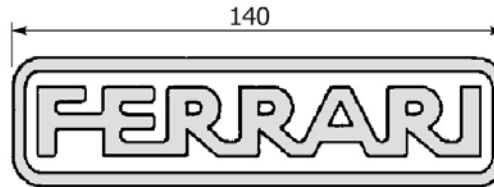
	500 serie GRIFON	STICKERS ADHESIVOS	ADESMI	AUTOCOLLANTS AUFKLEBES	DALLA MACCHINA DE LA MAQUINA DE LA MACHINE FROM THE MACHINE AB DER MASCHINE	AGGIORNAMENTO	M01	Rev.
					ON.	REVISION		3
						MISE A JOUR		
						APLAZAMIENTO		
						ANPASSUNG		11/2010

Pos.	Id	Q.ty	Description	Note
53052175	53052175	1	MEDIUM FERRARI BRAND	
53052176	53052176	1	BIG FERRARI BRAND	
58052165	58052165	1	DECAL 500 GRIFON	
58052183	58052183	1	DECAL 515 GRIFON /11	
58052184	58052184	1	DECAL 515L GRIFON /11	
58052185	58052185	1	DECAL 515S GRIFON /11	
58052186	58052186	1	DECAL 515SL GRIFON /11	
58052187	58052187	1	DECAL 520 GRIFON /11	
58052188	58052188	1	DECAL 530 GRIFON /11	
58052189	58052189	1	DECAL 530S GRIFON /11	
58052190	58052190	1	DECAL 530S /11	



500 GRIFON

58052165



58052029



58052160

515 GRIFON

58052157



58052019 0

515L GRIFON

58052158

520 GRIFON

58052162

515S GRIFON

58052159

530 GRIFON

58052163

515SL GRIFON

58052167 0

530S GRIFON

58052164

FERRARI

500 serie GRIFON

STICKERS
ADHESIVOS

ADESMI

AUTOCOLLANTS
AUFKLEBES

DALLA MACCHINA
DE LA MAQUINA
DE LA MACHINE
FROM THE MACHINE
AB DER MASCHINE

ON.

AGGIORNAMENTO
REVISION
MISE A JOUR
APLAZAMIENTO
ANPASSUNG

M01




02/2009


Rev.
2

ZEN


Pos.	Id	Q.ty	Description	Note
58052019	58052019	1	DECAL	
58052029	58052029	1	DECAL	
58052157	58052157	1	DECAL 515 GRIFON	
58052158	58052158	1	DECAL 515 L GRIFON	
58052159	58052159	1	DECAL 515 S GRIFON	
58052160	58052160	1	DECAL S MUSTER	
58052162	58052162	1	DECAL 520 GRIFON	
58052163	58052163	1	DECAL	
58052164	58052164	1	DECAL 530S GRIFON	
58052165	58052165	1	DECAL 500 GRIFON	
58052167	58052167	1	DECAL 515SL GRIFON	




4

3

2

1




58056864




58057746




58057747




58057748




58057773




58057774




58057767



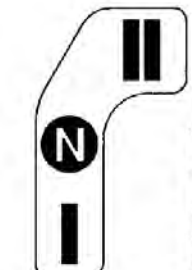
58057768



58056867




58057625




58057732


ZUM STARTEN
 •KUPPLUNGSHABEL ANHAKEN, (SIEHE) AUFKLEBER AUF DEM LENKHOLM).
 •GASHEBEL ZUR MITTE EINSTELLEN.
 •BENZINHAHN OFFNEN (WENN VORHANDEN).
 •CHOKE SCHLIESSEN (BEI KALTEM MOTOR).
DEN FUSS IN DIE RICHTIGE STELLUNG SETZEN.




ZUM STARTEN
 •DEN SEIL AUF DIE STARTSCHEIBE AUFWICKELN (WENN KEIN REVENSIEN STARTER VORHANDEN IST).
 •DER STARTERGRIFF IN ENTSCHLOSSENER WEISE ZIEHEN, BEI DEM ELEKTROSTARTER SCHLÜSSEL DREHEN.
 •CHOKE DEFNEN.




58057771



58057772




58057770




58057772


**KUPLUNG
 EMBRAYAGE
 EMBRAGUE
 CLUTCH
 FRIZIONE**



58057722



58057676



58046932 (REF.)

FERRARI	500 serie GRIFON	ADESIVI		ON.	M02	Rev. 3
		STICKERS	AUTO COLLANTS			867450 (520-530-S)
		ADHESIVOS	AUFKLEBES			863996 (515L-S-SL)
				864056 (515)	11/2010	ENR



Pos.	Id	Q.ty	Description	Note
58046932	58046932	1	DECAL	
58056864	58056864	1	DECAL	
58056867	58056867	1	DECAL	
58056868	58056868	1	DECAL	
58057458	58057458	1	DECAL	
58057625	58057625	1	DECAL	
58057676	58057676	1	DECAL	
58057678	58057678	1	DECAL	
58057722	58057722	1	DECAL	
58057724	58057724	1	DECAL	
58057732	58057732	1	DECAL	
58057746	58057746	1	DECAL	
58057747	58057747	1	DECAL	
58057748	58057748	1	DECAL	
58057767	58057767	1	DECAL	
58057768	58057768	1	DECAL	
58057770	58057770	1	DECAL	
58057771	58057771	1	DECAL	
58057772	58057772	1	DECAL	
58057773	58057773	1	DECAL	
58057774	58057774	1	DECAL	
58093089	58093089	1	DECAL	



<p>580.37698</p>	<p>580.57625</p>	<p>580.57773</p>	<p>580.57774</p>	<p>580.57772</p>	<p>580.57776</p>	<p>580.57767</p>							
58057698	58057746	58057747	58057748	<p>580.46912</p>	<p>580.57706</p>	<p>580.57768</p>							
<p>580.37676</p>	<p>580.57712</p>	<p>580.57678</p>	<p>580.57722</p>	<p>580.57732</p>	<p>580.93089</p>	<p>580.57771</p>							
58057676	58057712	58057678	58057722	58057732	58057688	<p>580.57724</p>	<p>580.57770</p>						
FERRARI	500 serie GRIFON	ADESMI			DALLA MACCHINA DE LA MAQUINA DE LA MACHINE FROM THE MACHINE AB DER MASCHINE	<table border="1"> <tr><td>AGGIORNAMENTO</td></tr> <tr><td>REVISION</td></tr> <tr><td>MISE A JOUR</td></tr> <tr><td>APLAZAMIENTO</td></tr> <tr><td>ANPASSUNG</td></tr> </table>	AGGIORNAMENTO	REVISION	MISE A JOUR	APLAZAMIENTO	ANPASSUNG	M02	Rev. 2
AGGIORNAMENTO													
REVISION													
MISE A JOUR													
APLAZAMIENTO													
ANPASSUNG													
					ON.	02/2009	ZENE						



Pos.	Id	Q.ty	Description	Note
58046912	58046912	1	DECAL	
58057625	58057625	1	DECAL	
58057676	58057676	1	DECAL	
58057678	58057678	1	DECAL	
58057688	58057688	1	DECAL	
58057698	58057698	1	DECAL	
58057706	58057706	1	DECAL	
58057712	58057712	1	DECAL	
58057722	58057722	1	DECAL	
58057724	58057724	1	DECAL	
58057732	58057732	1	DECAL	
58057746	58057746	1	DECAL	
58057747	58057747	1	DECAL	
58057748	58057748	1	DECAL	
58057767	58057767	1	DECAL	
58057768	58057768	1	DECAL	
58057770	58057770	1	DECAL	
58057771	58057771	1	DECAL	
58057772	58057772	1	DECAL	
58057773	58057773	1	DECAL	
58057774	58057774	1	DECAL	
58093089	58093089	1	DECAL	

