



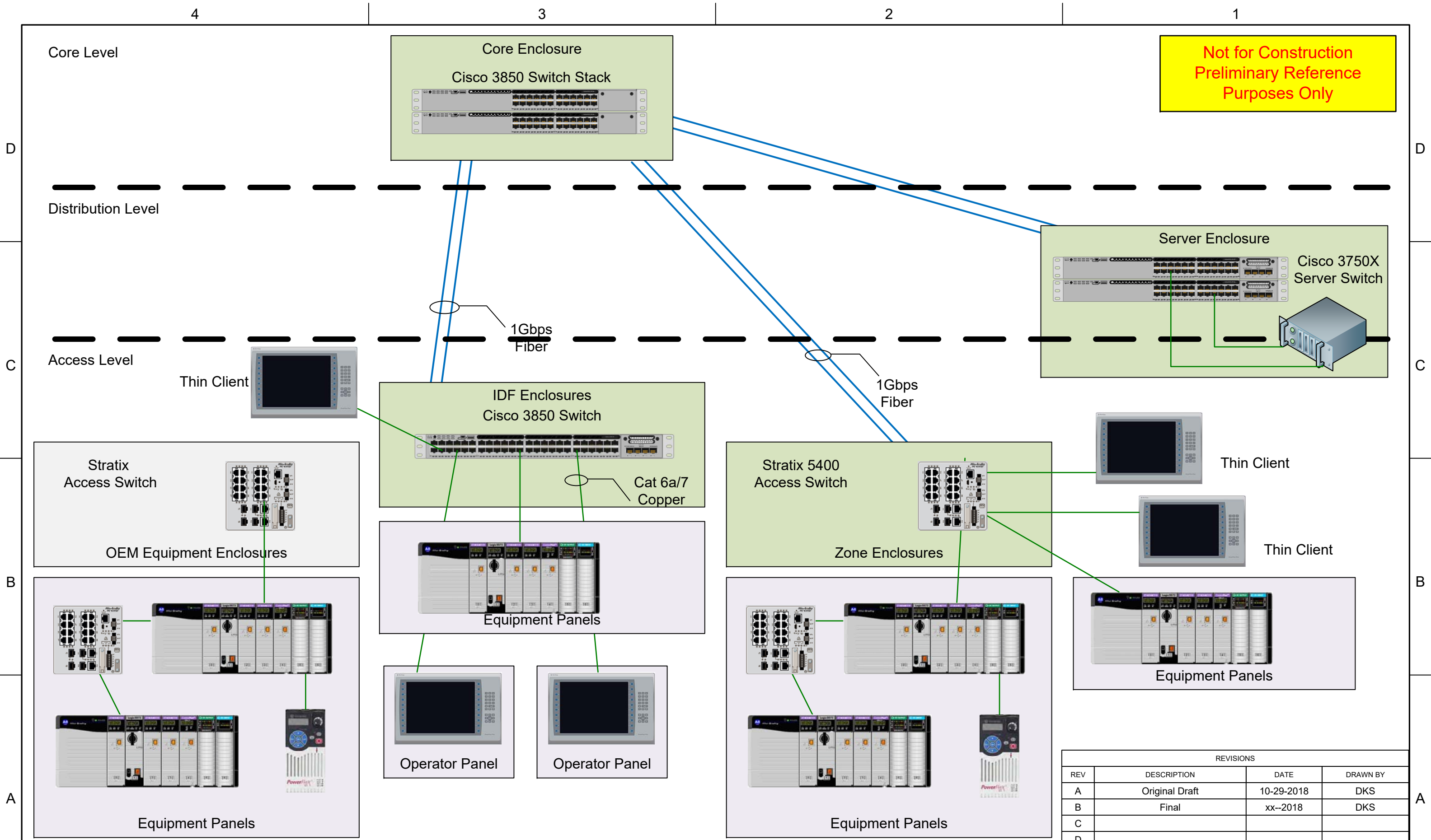
DRAFT – ETHERNET NETWORK DESIGN DRAWINGS

Prepared for
Customer

December 7, 2018
Version 1 Revision 0



| | | | |
|--|----|----------------------------|----|
| Title Page | 1 | <DWG Name> – QXS4B0708A-24 | 24 |
| Architecture Summary – QXS4B0708A-02 | 2 | <DWG Name> – QXS4B0708A-25 | 25 |
| Physical Topology – QXS4B0708A-03 | 3 | <DWG Name> – QXS4B0708A-26 | 26 |
| Logical Topology – QXS4B0708A-04 | 4 | <DWG Name> – QXS4B0708A-27 | 27 |
| Stack Configuration – QXS4B0708A-05 | 5 | <DWG Name> – QXS4B0708A-28 | 28 |
| NW Functional Segmentation – QXS4B0708A-06 | 6 | <DWG Name> – QXS4B0708A-29 | 29 |
| Network Room Locations– QXS4B0708A-07 | 7 | <DWG Name> – QXS4B0708A-30 | 30 |
| MDF/IDF Rack Elevation-01 – QXS4B0708A-08 | 8 | <DWG Name> – QXS4B0708A-31 | 31 |
| MDF/IDF Rack Elevation-02 – QXS4B0708A-09 | 9 | <DWG Name> – QXS4B0708A-32 | 32 |
| IDC Rack Elevation – QXS4B0708A-10 | 10 | <DWG Name> – QXS4B0708A-33 | 33 |
| INZS Enclosure – QXS4B0708A-11 | 11 | <DWG Name> – QXS4B0708A-34 | 34 |
| Network Enclosure Examples – QXS4B0708A-12 | 12 | <DWG Name> – QXS4B0708A-35 | 35 |
| Cable Labeling Schema – QXS4B0708A-13 | 13 | <DWG Name> – QXS4B0708A-36 | 36 |
| <DWG Name> – QXS4B0708A-14 | 14 | <DWG Name> – QXS4B0708A-37 | 37 |
| <DWG Name> – QXS4B0708A-15 | 15 | <DWG Name> – QXS4B0708A-38 | 38 |
| <DWG Name> – QXS4B0708A-16 | 16 | <DWG Name> – QXS4B0708A-39 | 39 |
| <DWG Name> – QXS4B0708A-17 | 17 | <DWG Name> – QXS4B0708A-40 | 40 |
| <DWG Name> – QXS4B0708A-18 | 18 | <DWG Name> – QXS4B0708A-41 | 41 |
| <DWG Name> – QXS4B0708A-19 | 19 | <DWG Name> – QXS4B0708A-42 | 42 |
| <DWG Name> – QXS4B0708A-20 | 20 | <DWG Name> – QXS4B0708A-43 | 43 |
| <DWG Name> – QXS4B0708A-21 | 21 | <DWG Name> – QXS4B0708A-44 | 44 |
| <DWG Name> – QXS4B0708A-22 | 22 | <DWG Name> – QXS4B0708A-45 | 45 |
| <DWG Name> – QXS4B0708A-23 | 23 | <DWG Name> – QXS4B0708A-46 | 46 |



Not for Construction
Preliminary Reference
Purposes Only

| REVISIONS | | | |
|-----------|----------------|------------|----------|
| REV | DESCRIPTION | DATE | DRAWN BY |
| A | Original Draft | 10-29-2018 | DKS |
| B | Final | xx--2018 | DKS |
| C | | | |
| D | | | |



THIS DRAWING IS THE PROPERTY OF ROCKWELL AUTOMATION INC., AND MAY NOT BE COPIED, USED, OR DISCLOSED FOR ANY PURPOSE EXCEPT AS AUTHORIZED IN WRITING BY ROCKWELL AUTOMATION, INC.



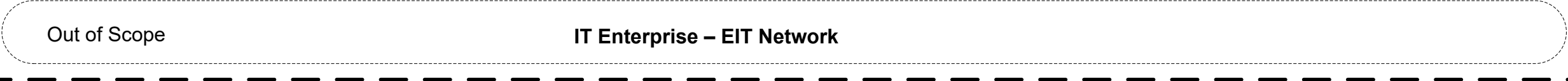
PROJECT: Network Design
CUSTOMER: Customer Lawton, OK

Customer_Network Design Drawings_v0r3.vsd
DOCUMENT NAME: **Architecture Summary**

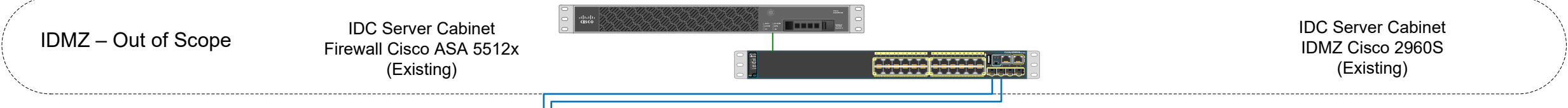
DWG: QXS4B0708A-02
SHEET 2 OF 13
REV: **A**
Visio Professional 2013

4 3 2 1

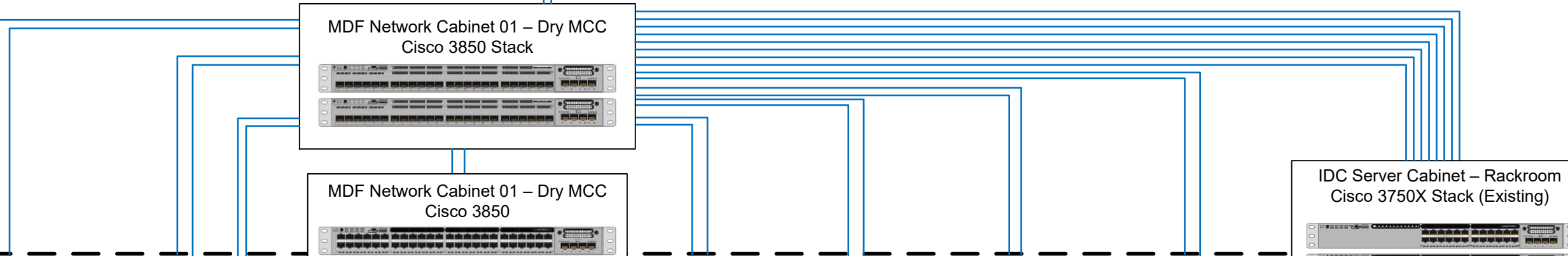
Enterprise Network



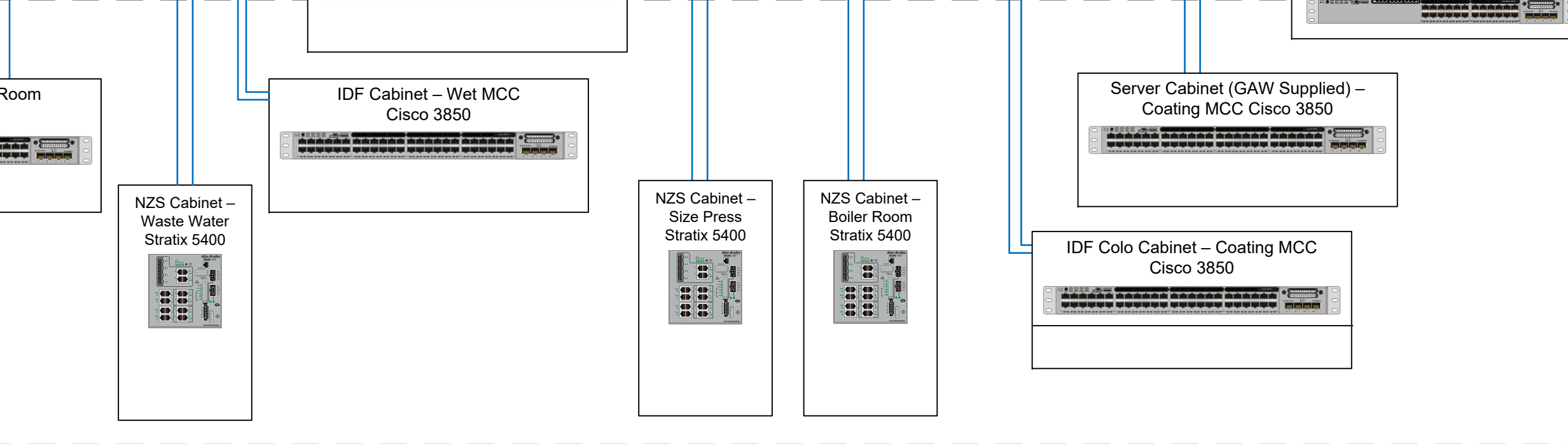
IDMZ



Core/Distribution

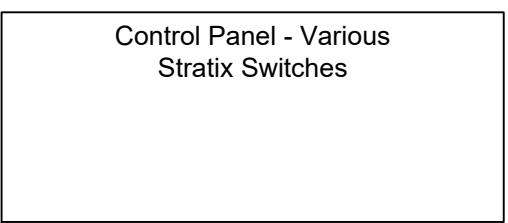
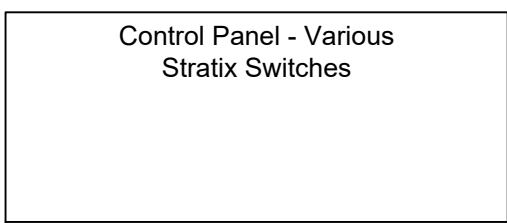


Zone Level Access

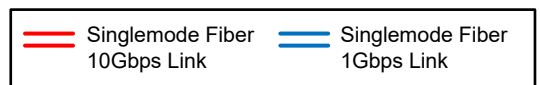


Equipment Level

Equipment Level Switches are shown here but are supplied as new systems are deployed. These switches are dedicated for IO (e.g., VFDs, IO, etc.) and are installed in Control Panels.



| REVISIONS | | | |
|-----------|----------------|------------|----------|
| REV | DESCRIPTION | DATE | DRAWN BY |
| A | Original Draft | 10-29-2018 | DKS |
| B | Final | xx--2018 | DKS |
| C | | | |
| D | | | |



THIS DRAWING IS THE PROPERTY OF ROCKWELL AUTOMATION INC., AND MAY NOT BE COPIED, USED, OR DISCLOSED FOR ANY PURPOSE EXCEPT AS AUTHORIZED IN WRITING BY ROCKWELL AUTOMATION, INC.

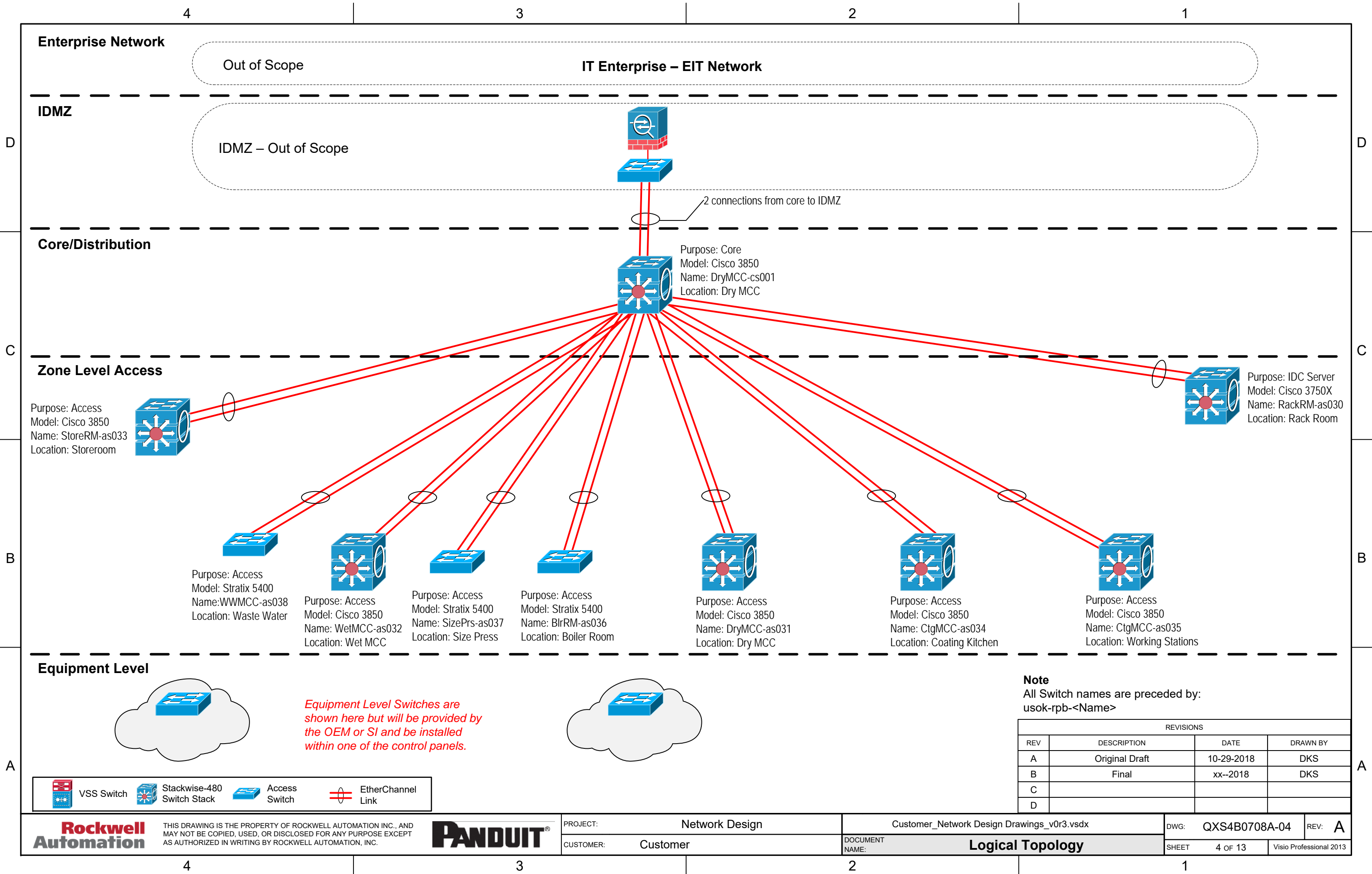


PROJECT: Network Design OK
CUSTOMER:

Customer_Network Design Drawings_v0r3.vsd
DOCUMENT NAME: **Physical Topology**

DWG: QXS4B0708A-03 REV: A
SHEET 3 OF 13 Visio Professional 2013

4 3 2 1



4

3

2

1

D

D

C

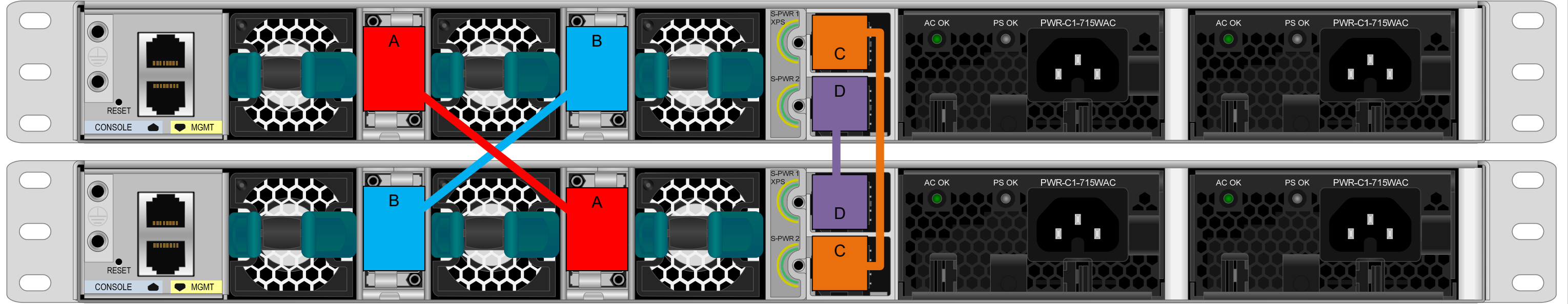
C

B





B

A

A



Switch Stack Configuration

| | |
|---|----------------------------|
|  | Stackwise-480 Connection A |
|  | Stackwise-480 Connection B |
|  | Stack Power Connection C |
|  | Stack Power Connection D |

| REVISIONS | | | |
|-----------|----------------|------------|----------|
| REV | DESCRIPTION | DATE | DRAWN BY |
| A | Original Draft | 10-29-2018 | DKS |
| B | Final | xx--2018 | DKS |
| C | | | |
| D | | | |



THIS DRAWING IS THE PROPERTY OF ROCKWELL AUTOMATION INC., AND MAY NOT BE COPIED, USED, OR DISCLOSED FOR ANY PURPOSE EXCEPT AS AUTHORIZED IN WRITING BY ROCKWELL AUTOMATION, INC.



PROJECT: Network Design
 CUSTOMER: Customer

Customer_Network Design Drawings_v0r3.vsd
 DOCUMENT NAME: Stack Configuration

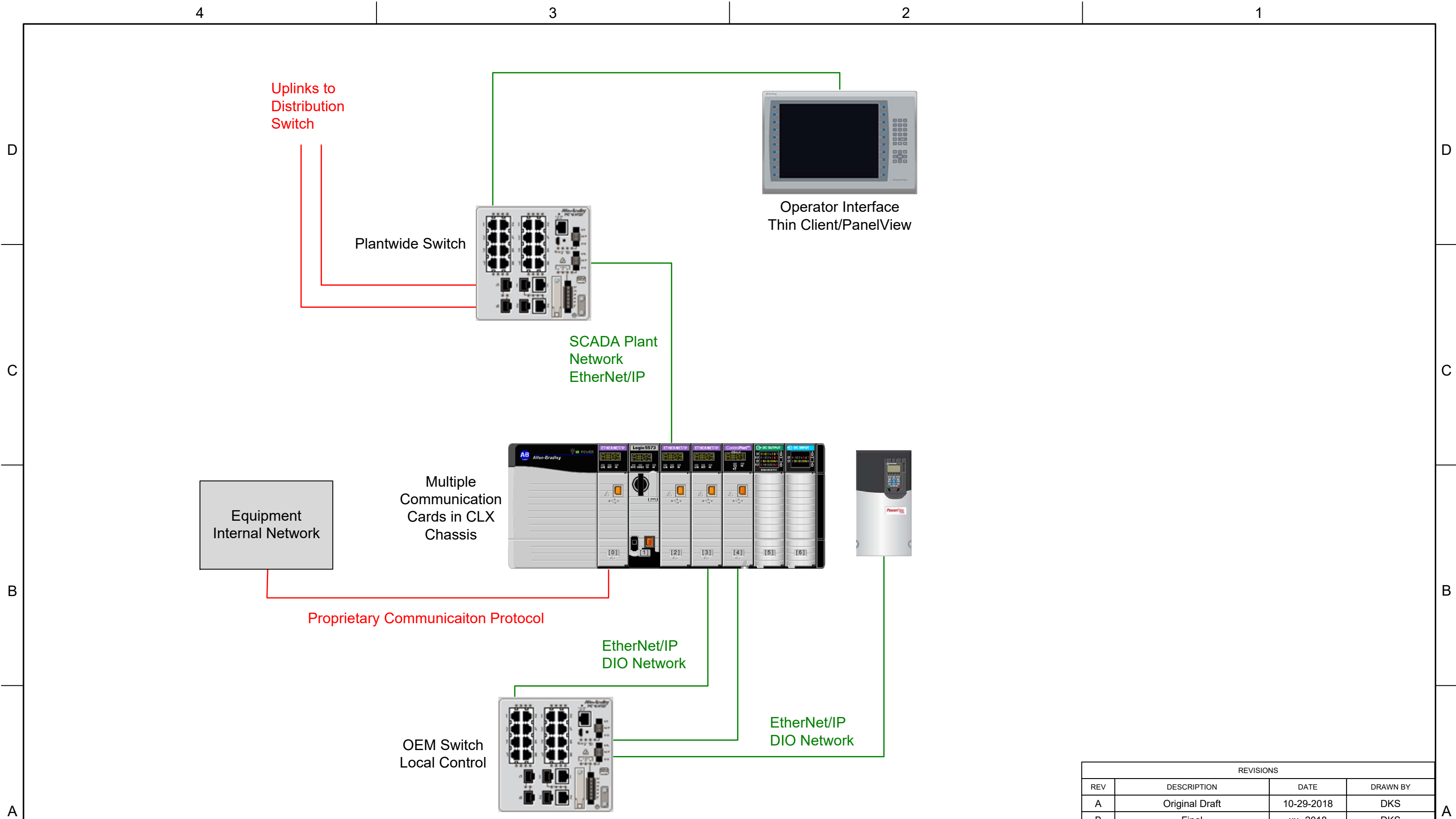
DWG: QXS4B0708A-05 REV: A
 SHEET 5 OF 13 Visio Professional 2013

4

3

2

1

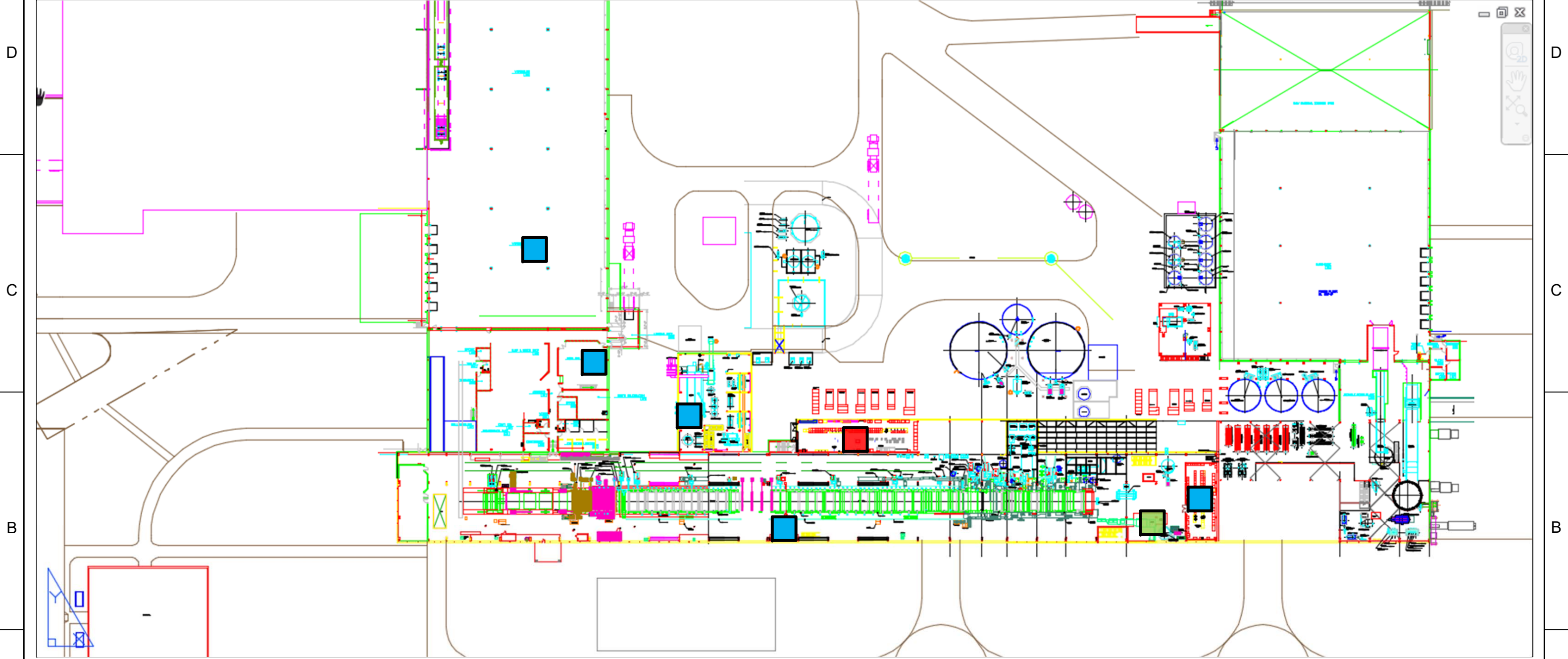


4

3

2

1



- MDF Location – Core/
Distribution
- IDF Locations – Access
- IDC Location – Control Room/
Rack Room

**Not for Construction
Preliminary Reference
Purposes Only**

| REVISIONS | | | |
|-----------|----------------|------------|----------|
| REV | DESCRIPTION | DATE | DRAWN BY |
| A | Original Draft | 10-29-2018 | DKS |
| B | Final | xx--2018 | DKS |
| C | | | |
| D | | | |



THIS DRAWING IS THE PROPERTY OF ROCKWELL AUTOMATION INC., AND MAY NOT BE COPIED, USED, OR DISCLOSED FOR ANY PURPOSE EXCEPT AS AUTHORIZED IN WRITING BY ROCKWELL AUTOMATION, INC.



PROJECT: Network Design
CUSTOMER: Customer L

Customer_Network Design Drawings_v0r3.vsd
DOCUMENT NAME: **Network Room Locations**

DWG: QXS4B0708A-07 REV: **A**
SHEET 7 OF 13 Visio Professional 2013

4

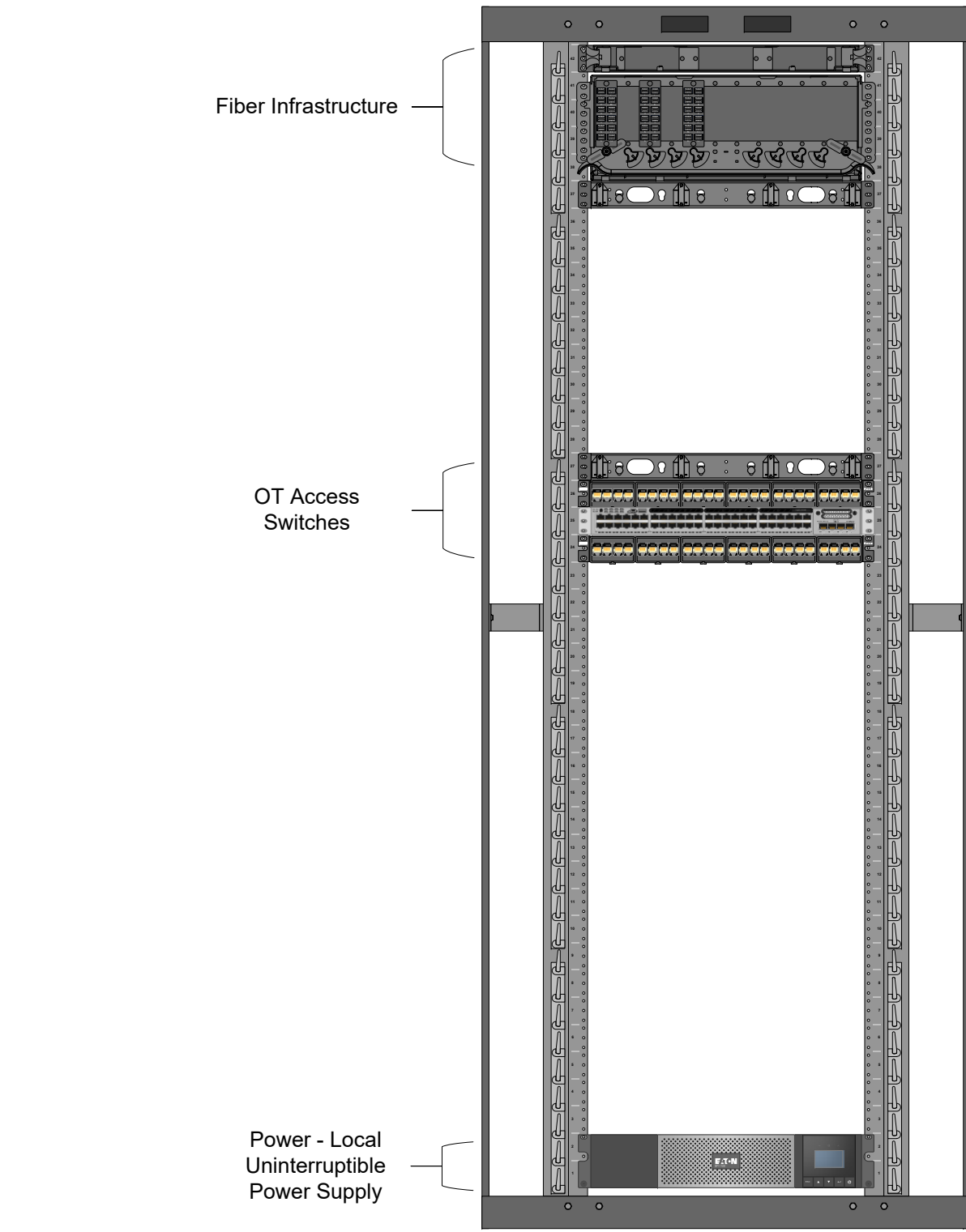
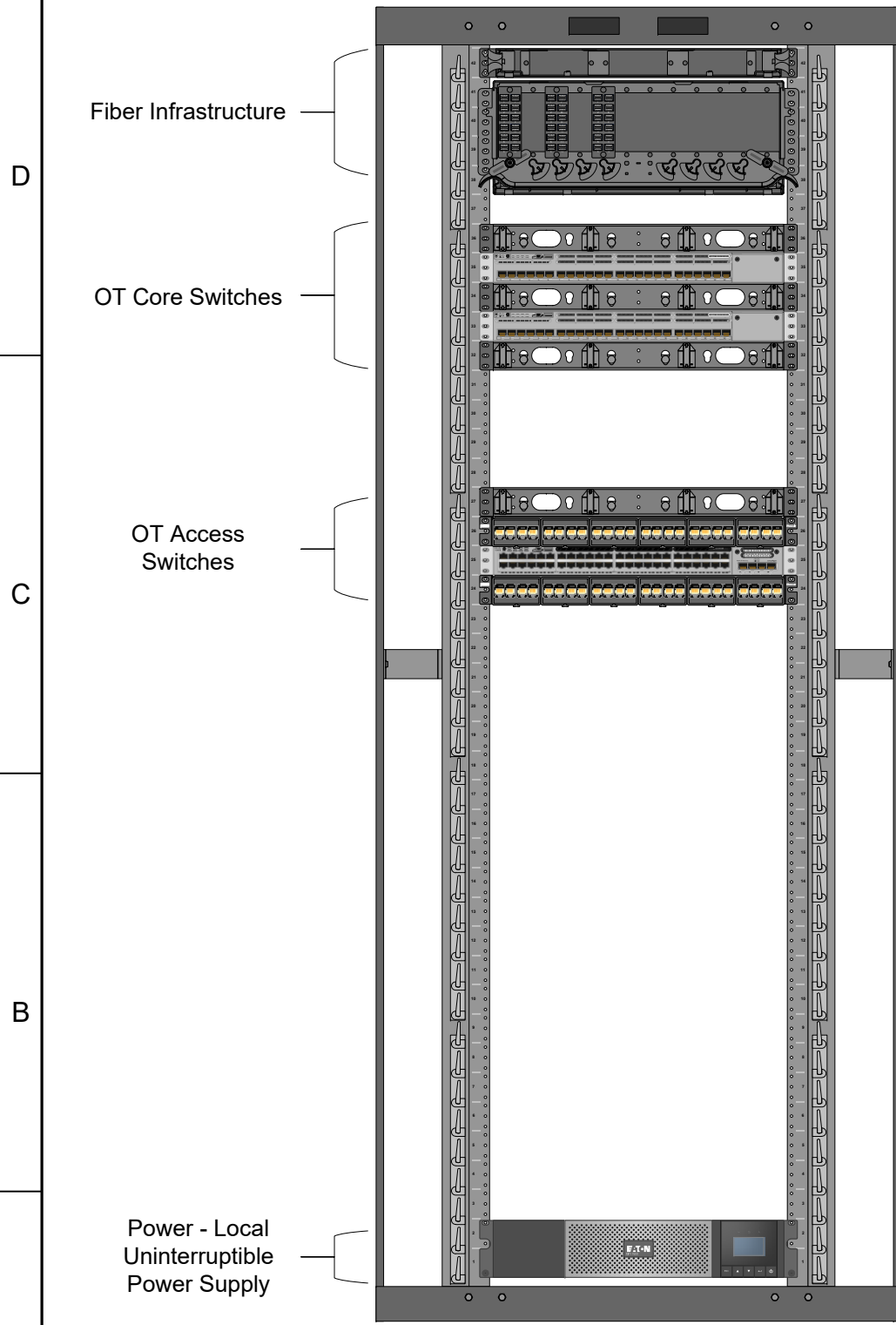
3

2

1

MDF Network Cabinet Dry End MCC

IDF Network Cabinet Wet End MCC



Notes
 The existing process control cabinets will be reused. Existing equipment will need to be repositioned within the rack. Cable lengths may dictate which RU positions are possible.

EXAMPLE ONLY
 The Physical Drawings will include actual rack elevation details.

| REVISIONS | | | |
|-----------|----------------|------------|----------|
| REV | DESCRIPTION | DATE | DRAWN BY |
| A | Original Draft | 10-29-2018 | DKS |
| B | Final | xx--2018 | DKS |
| C | | | |
| D | | | |



THIS DRAWING IS THE PROPERTY OF ROCKWELL AUTOMATION INC., AND MAY NOT BE COPIED, USED, OR DISCLOSED FOR ANY PURPOSE EXCEPT AS AUTHORIZED IN WRITING BY ROCKWELL AUTOMATION, INC.



PROJECT: Network Design
 CUSTOMER: Customer

Customer_Network Design Drawings_v0r3.vsd
 DOCUMENT NAME: **MDF/IDF Rack Elevation-01**

DWG: QXS4B0708A-08 REV: **A**
 SHEET 8 OF 13 Visio Professional 2013

A

A

4

3

2

1

4

3

2

1

IDF Network Cabinet Coating MCC

IDF Network Cabinet Storeroom

D

D

Fiber Infrastructure

Fiber Infrastructure

C

C

OT Access Switches

OT Access Switches

B

B

Fiber Infrastructure

A

A

OT Access Switches

Power - Local Uninterruptible Power Supply

Power - Local Uninterruptible Power Supply

EXAMPLE ONLY
The Physical Drawings will include actual rack elevation details.

| REVISIONS | | | |
|-----------|----------------|------------|----------|
| REV | DESCRIPTION | DATE | DRAWN BY |
| A | Original Draft | 10-29-2018 | DKS |
| B | Final | xx--2018 | DKS |
| C | | | |
| D | | | |



THIS DRAWING IS THE PROPERTY OF ROCKWELL AUTOMATION INC., AND MAY NOT BE COPIED, USED, OR DISCLOSED FOR ANY PURPOSE EXCEPT AS AUTHORIZED IN WRITING BY ROCKWELL AUTOMATION, INC.



PROJECT: Network Design

Customer__Network Design Drawings_v0r3.vsd

DWG: QXS4B0708A-09

REV: A

CUSTOMER: Customer

DOCUMENT NAME: **MDF/IDF Rack Elevation-02**

SHEET 9 OF 13

Visio Professional 2013

4

3

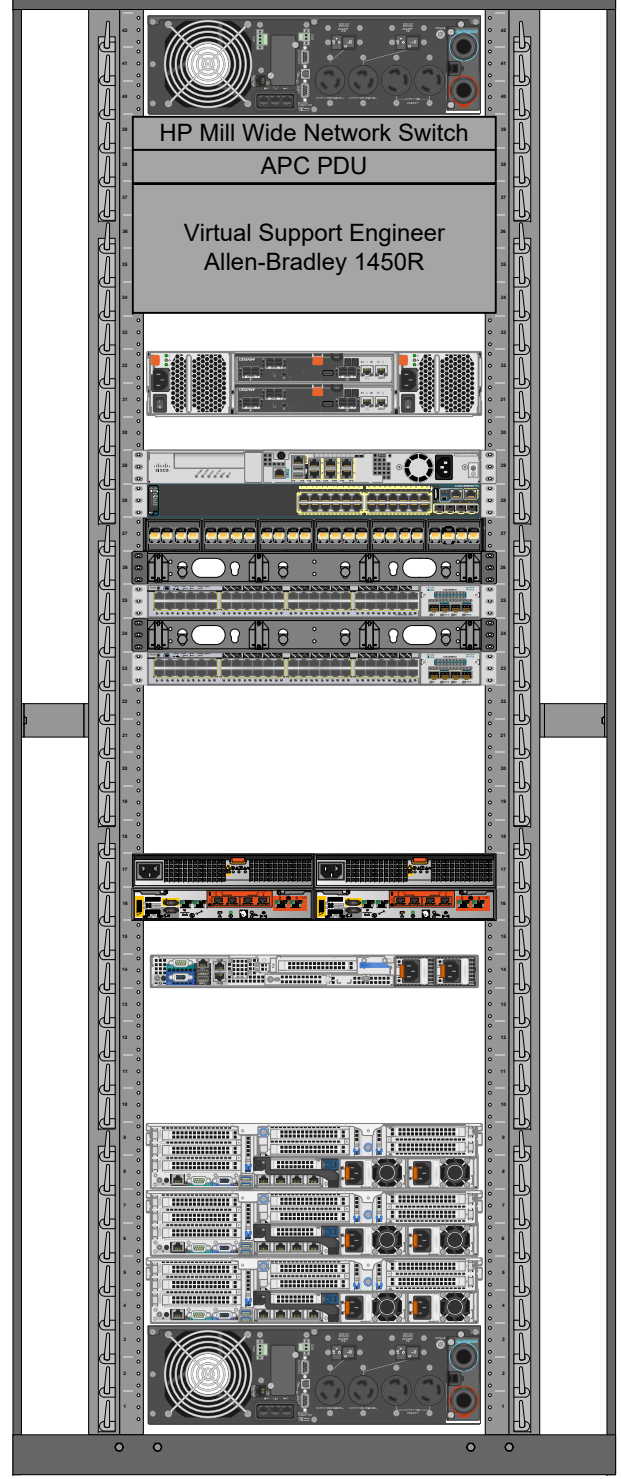
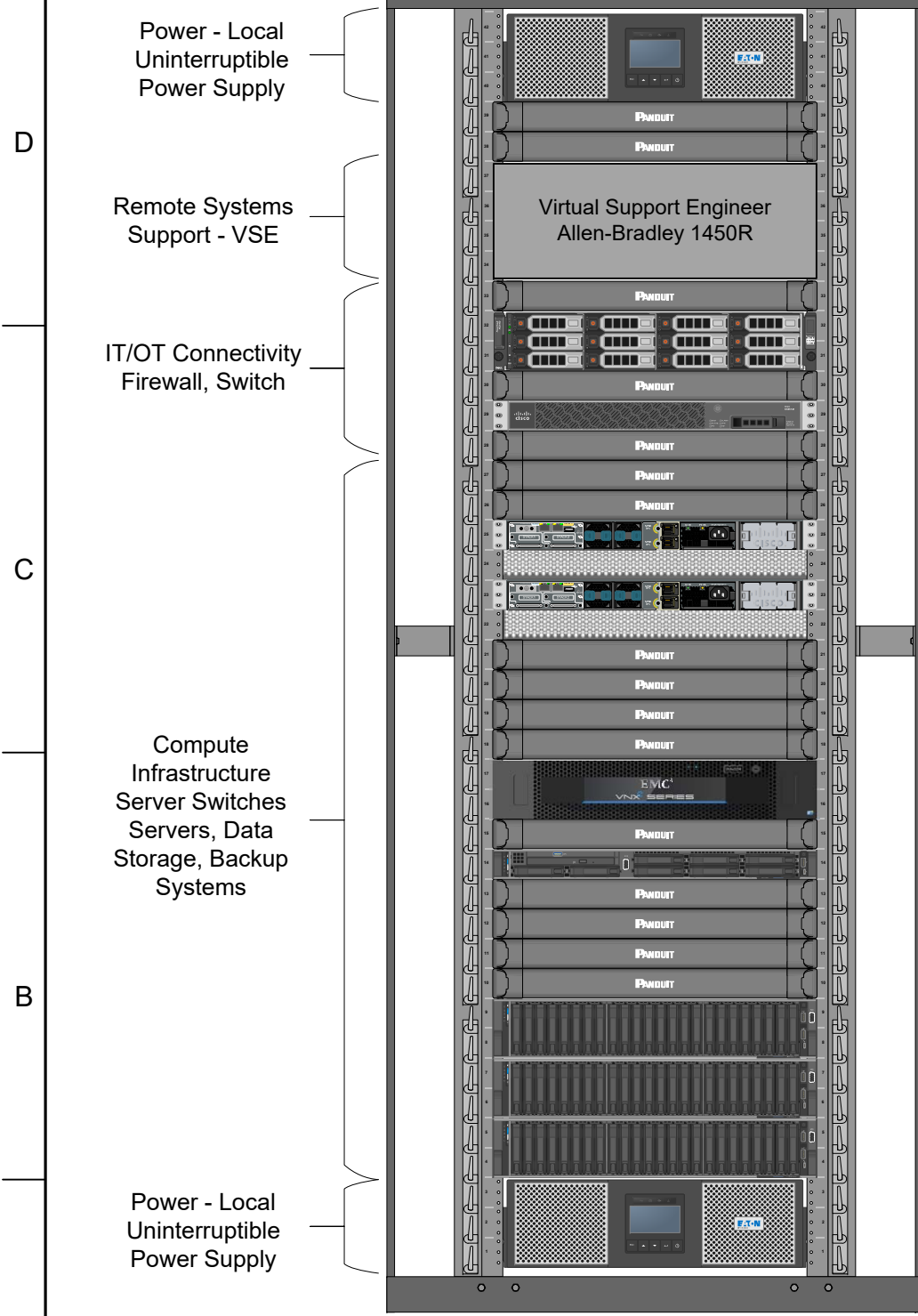
2

1

4 3 2 1

IDC Server Cabinet Rack Room - Front

IDC Server Cabinet Rack Room - Rear



Wall Mount Fiber Enclosure

EXAMPLE ONLY
The existing IDC Server Cabinet is shown with the new Wall Mount Fiber Enclosure.

D
C
B
A

D
C
B
A

| REVISIONS | | | |
|-----------|----------------|------------|----------|
| REV | DESCRIPTION | DATE | DRAWN BY |
| A | Original Draft | 10-29-2018 | DKS |
| B | Final | xx--2018 | DKS |
| C | | | |
| D | | | |



THIS DRAWING IS THE PROPERTY OF ROCKWELL AUTOMATION INC., AND MAY NOT BE COPIED, USED, OR DISCLOSED FOR ANY PURPOSE EXCEPT AS AUTHORIZED IN WRITING BY ROCKWELL AUTOMATION, INC.



| | | | | | | |
|-----------|----------------|---|--------------------|----------------|-------------------------|----------|
| PROJECT: | Network Design | Customer_Network Design Drawings_v0r3.vsd | DWG: | QXS4B0708A-010 | REV: | A |
| CUSTOMER: | Customer | DOCUMENT NAME: | IDC Rack Elevation | | SHEET | 10 OF 13 |
| | | | | | Visio Professional 2013 | |

4 3 2 1

4

3

2

1

D

D

C

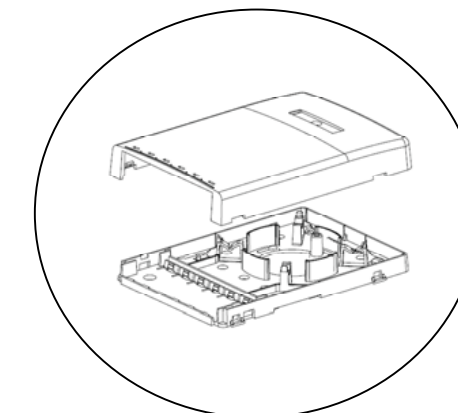
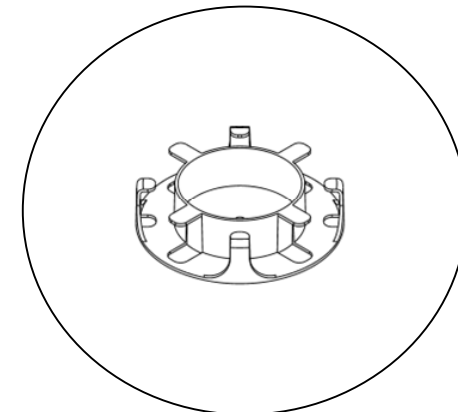
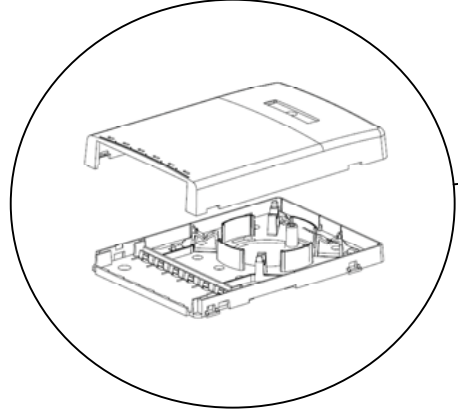
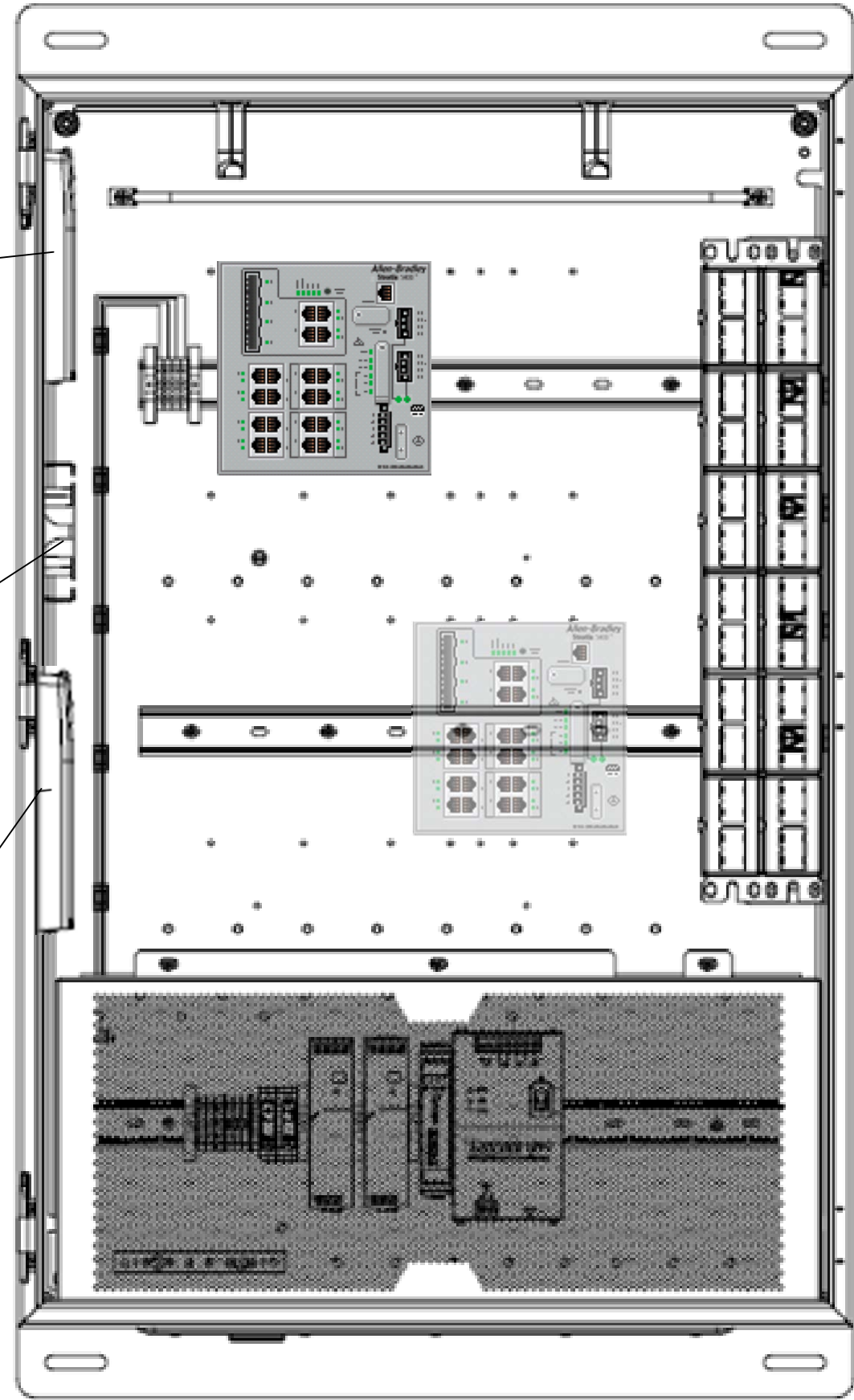
C

B

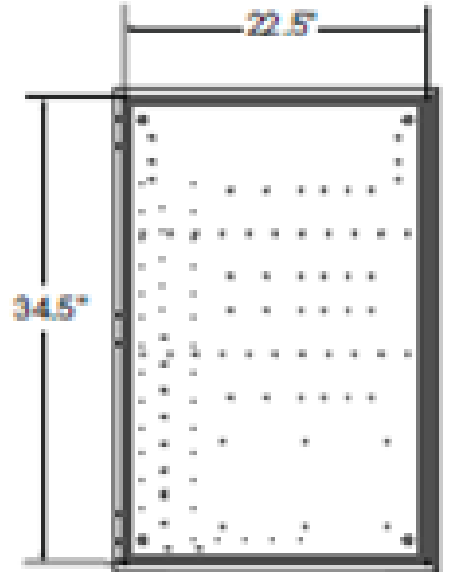
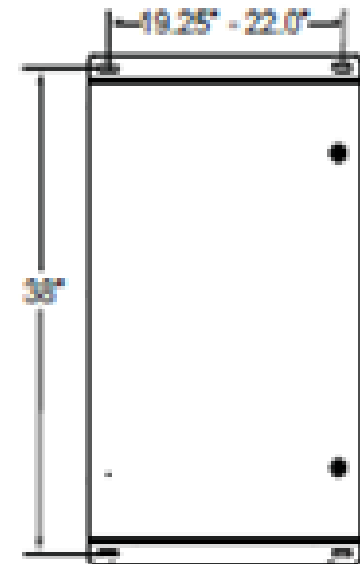
B

A

A



- Industrial Network Zone System Enclosure
- Panduit Zone Enclosure (Z23R-S25)
- Stratix 5400 (1783-HMS16TG4CGN)
- Stratix <future> – Not Included
- Redundant Power Supplies (24 Volt Power Supply)
- Panduit 24 Volt UPS (UPS003024024015)
- Panduit Load Sense Module (UPS003LSM)
- Panduit Mini-Com surface mount box (CBXF6BL-AY)



Note
The Industrial Network Zone System Enclosures will be used in the following areas: Size Press, Boiler Room, and Waste Water MCC Room.

EXAMPLE ONLY
The Physical Drawings will include actual enclosure details.

| REVISIONS | | | |
|-----------|----------------|------------|----------|
| REV | DESCRIPTION | DATE | DRAWN BY |
| A | Original Draft | 10-29-2018 | DKS |
| B | Final | xx--2018 | DKS |
| C | | | |
| D | | | |



THIS DRAWING IS THE PROPERTY OF ROCKWELL AUTOMATION INC., AND MAY NOT BE COPIED, USED, OR DISCLOSED FOR ANY PURPOSE EXCEPT AS AUTHORIZED IN WRITING BY ROCKWELL AUTOMATION, INC.



PROJECT: Network Design
CUSTOMER: Customer

Customer_Network Design Drawings_v0r3.vsd
DOCUMENT NAME: INZS Enclosure

DWG: QXS4B0708A-011 REV: A
SHEET 11 OF 13 Visio Professional 2013

4

3

2

1

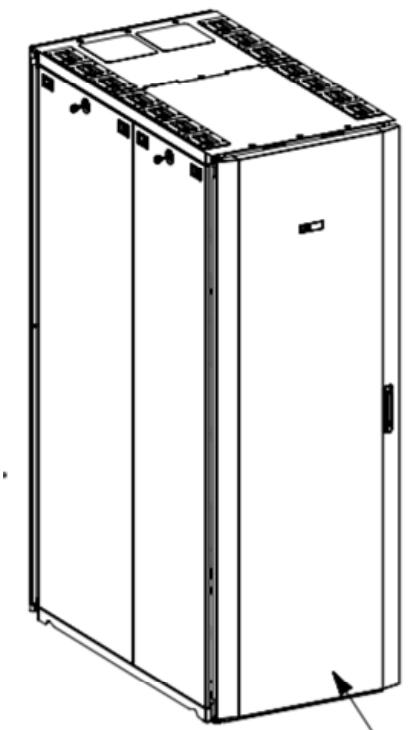
4

3

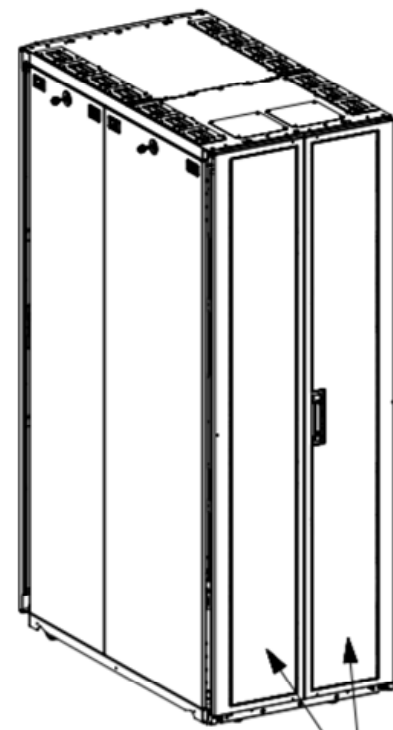
2

1

Industrial Network Distribution Solution (INDS 3000) Preconfigured 80" Industrial Distribution Frame

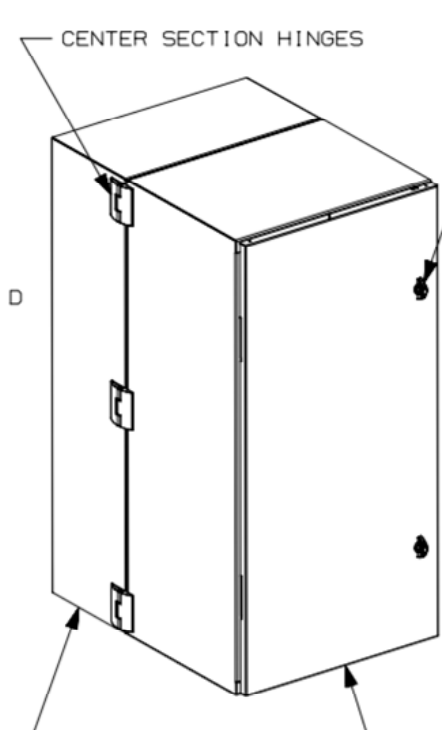


PERFORATED FRONT DOOR SINGLE HINGE

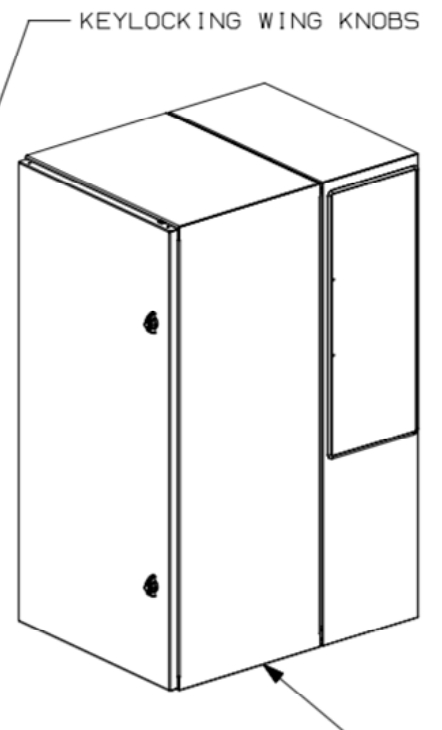


PERFORATED REAR SPLIT DOORS

Industrial Network Distribution Solution (INDS 2000) Preconfigured 48" Industrial Distribution Frame

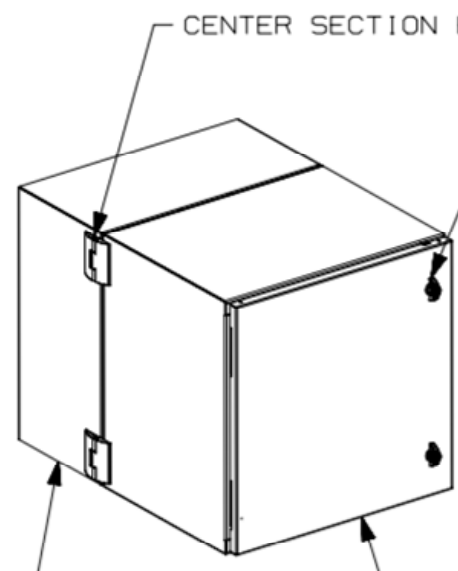


FRONT LEFT ISO VIEW

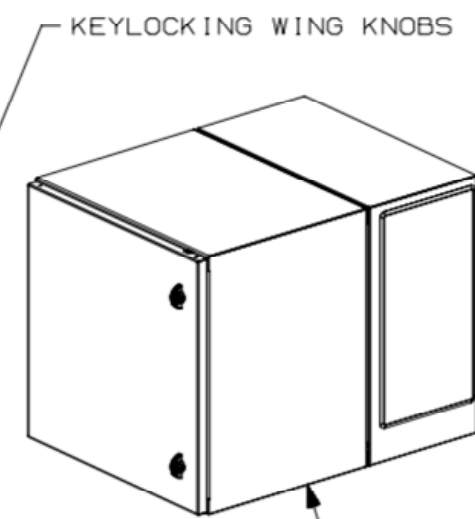


FRONT RIGHT ISO VIEW

Industrial Network Distribution Solution (INDS 1000) Preconfigured 24" Industrial Distribution Frame

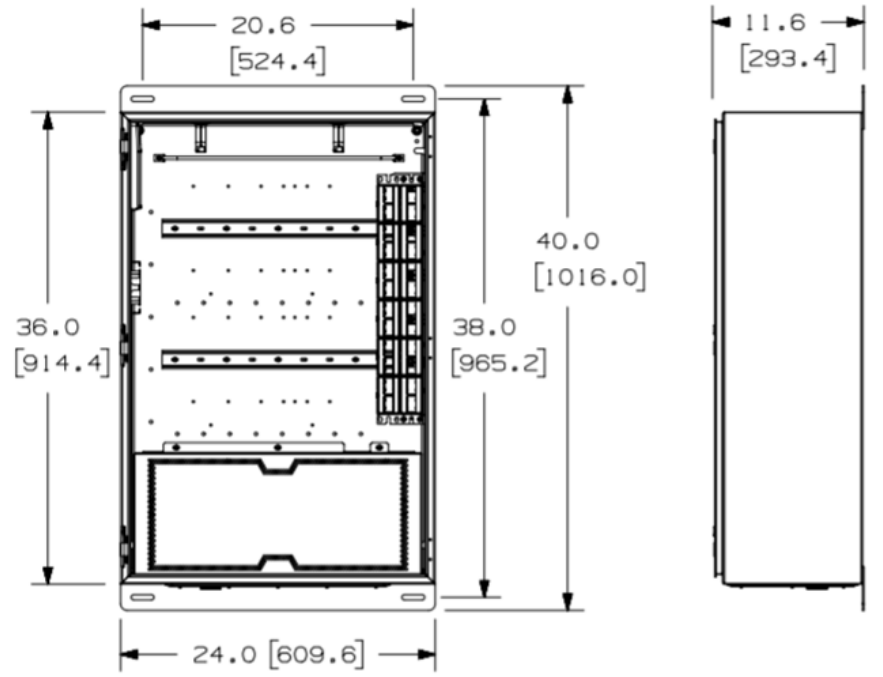


FRONT LEFT ISO VIEW



FRONT RIGHT ISO VIEW

Industrial Network Zone System Wall Mount, Switch Din Rail Mount



EXAMPLES ONLY

| REVISIONS | | | |
|-----------|----------------|------------|----------|
| REV | DESCRIPTION | DATE | DRAWN BY |
| A | Original Draft | 10-29-2018 | DKS |
| B | Final | xx--2018 | DKS |
| C | | | |
| D | | | |



THIS DRAWING IS THE PROPERTY OF ROCKWELL AUTOMATION INC., AND MAY NOT BE COPIED, USED, OR DISCLOSED FOR ANY PURPOSE EXCEPT AS AUTHORIZED IN WRITING BY ROCKWELL AUTOMATION, INC.



PROJECT: Network Design
CUSTOMER: Customer

RCustomer_Network Design Drawings_v0r3.vsd
DOCUMENT NAME: Network Enclosure Examples

DWG: QXS4B0708A-012 REV: A
SHEET 12 OF 13 Visio Professional 2013

4

3

2

1

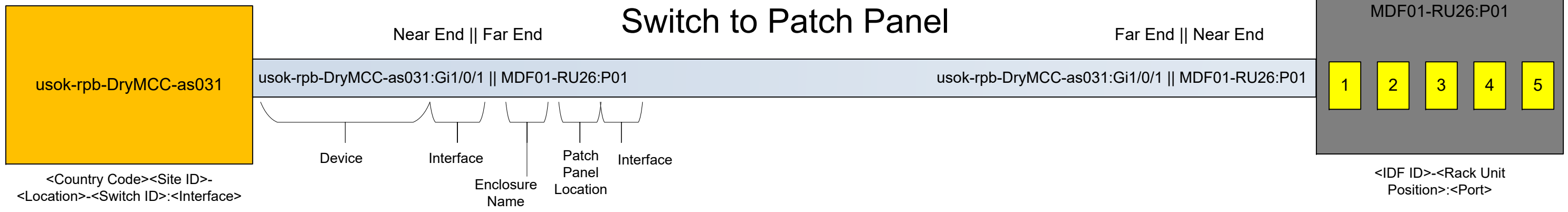
4

3

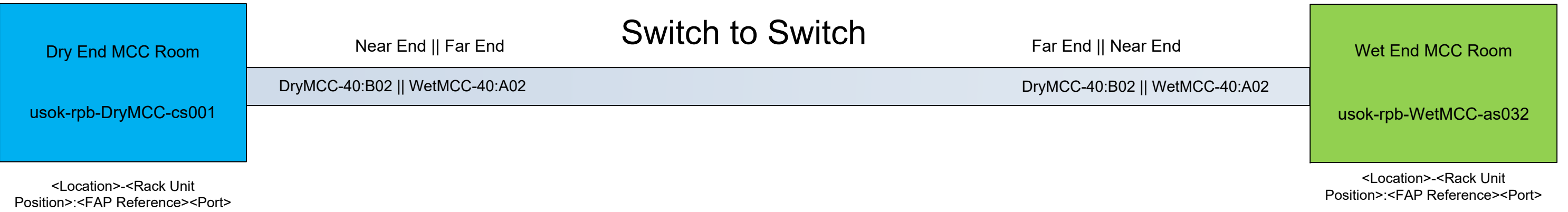
2

1

Switch to Patch Panel



Switch to Switch



Switch to End Device



EXAMPLES ONLY
Label is dependent on available space and type of label used

| REVISIONS | | | |
|-----------|----------------|------------|----------|
| REV | DESCRIPTION | DATE | DRAWN BY |
| A | Original Draft | 10-29-2018 | DKS |
| B | Final | xx--2018 | DKS |
| C | | | |
| D | | | |



THIS DRAWING IS THE PROPERTY OF ROCKWELL AUTOMATION INC., AND MAY NOT BE COPIED, USED, OR DISCLOSED FOR ANY PURPOSE EXCEPT AS AUTHORIZED IN WRITING BY ROCKWELL AUTOMATION, INC.



PROJECT: Network Design
CUSTOMER: Customer

Customer_Network Design Drawings_v0r3.vsd
DOCUMENT NAME: Cable Labeling Schema

DWG: QXS4B0708A-013
SHEET 13 OF 13
REV: A
Visio Professional 2013

4

3

2

1