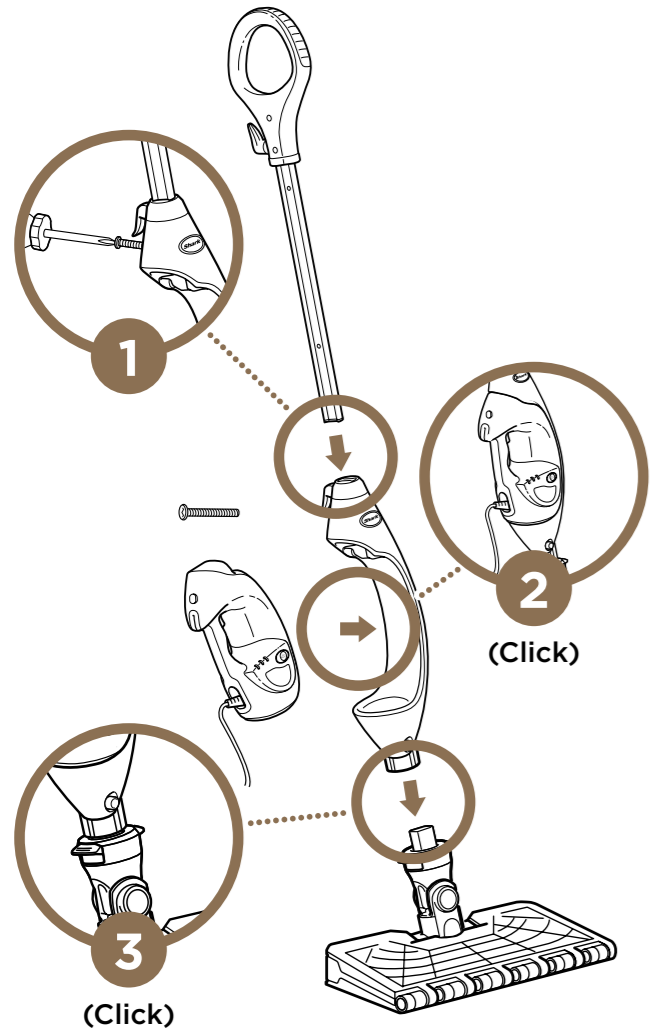


ASSEMBLY



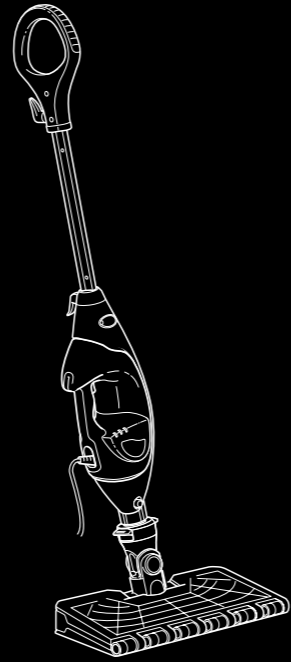
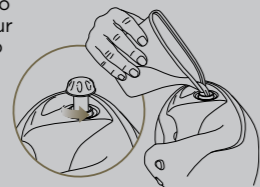
TO REMOVE the Intelli-Mop™ Head, press the release button on front of the unit.



Filling the Water Tank

Turn the water tank cap counterclockwise to remove. Use the filling flask to pour water into the tank. Do not overfill. Replace the cap on the water tank. We recommend using distilled water to prolong the life of your Shark® Lift-Away® Pro Steam Pocket® Mop.

NOTE: Sweep or vacuum your floors prior to cleaning with your Steam Pocket Mop.



Shark

For questions or to register your product, contact us at:
1-800-798-7398 or visit us online at sharkclean.com



@sharkcleaning

Copyright © 2016 SharkNinja Operating LLC. SHARK, STEAM POCKET, INTELLIGENT STEAM CONTROL, and LIFT-AWAY are registered trademarks of SharkNinja Operating LLC. INTELLI-MOP, DIRT GRIP, and STEAM BLASTER are trademarks of SharkNinja Operating LLC.

S3973_160721

Please be sure to read the enclosed Owner's Guide prior to using your unit.

Shark

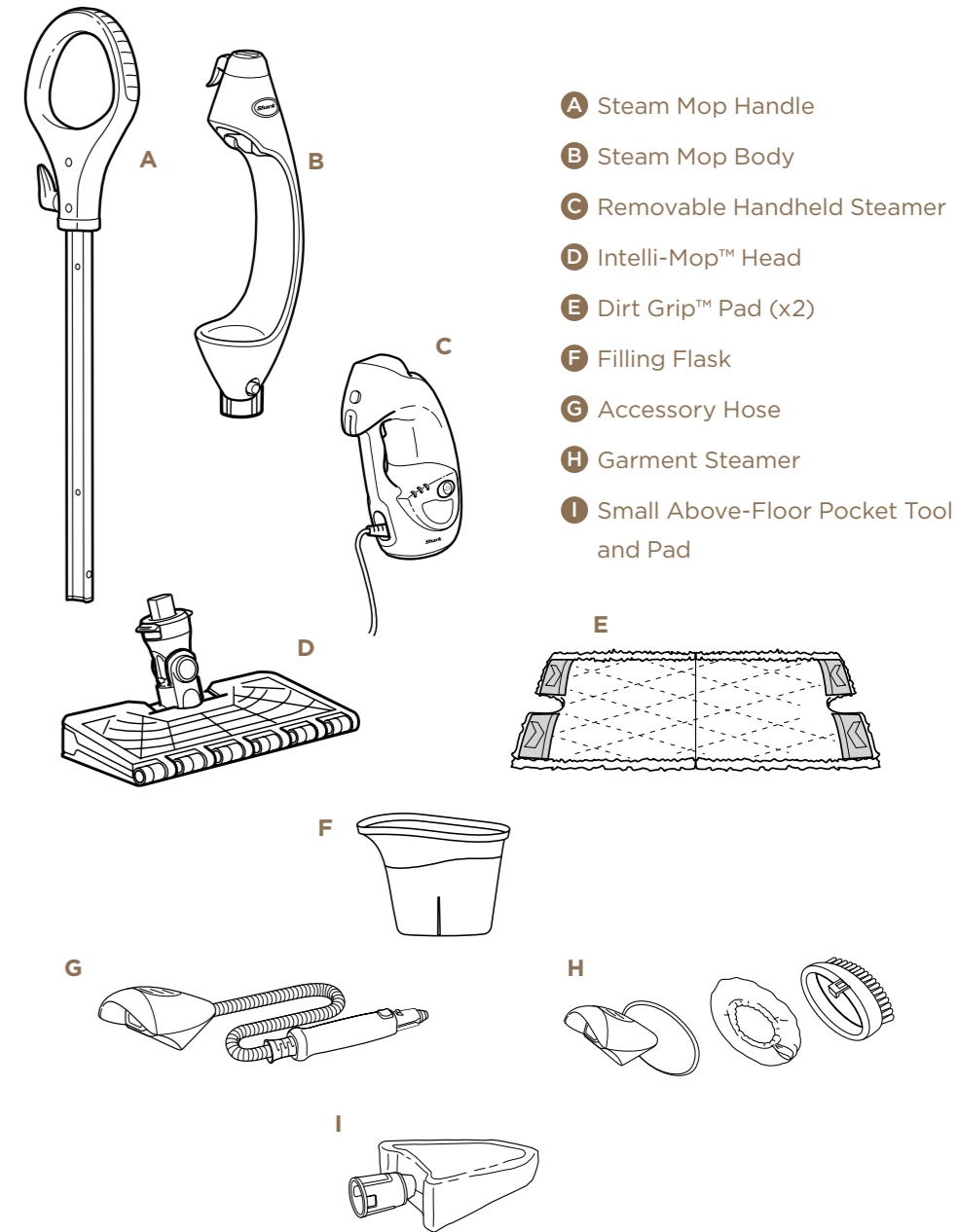
LIFT-AWAY® PRO
 STEAM POCKET® MOP

QUICK START GUIDE

Use this Quick Start Guide to learn about your new Lift-Away Pro Steam Pocket Mop's great features.



WHAT'S INSIDE:

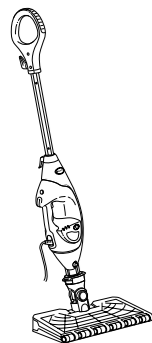


For additional parts and accessories, visit sharkaccessories.com

CLEANING

With the Intelli-Mop™ Head, you can quickly and easily attach and release the Dirt Grip™ Pads without touching them. No more wrestling with dirty, wet pads. The Dirt Grip Pads are double sided, washable and reusable. For pad attachment and removal instructions see the following page.

USING YOUR LIFT-AWAY® PRO STEAM POCKET®MOP

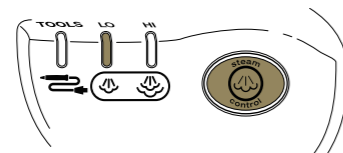


Your Lift-Away Pro Steam Pocket Mop is ideal for deep cleaning and cutting through dirt and grime in high-traffic areas, as well as for sanitizing* floors.

*Sanitization studies were conducted under controlled test conditions. Household conditions and results may vary. With the Intelli-mop head only in HI mode. Not in above-floor mode or when using Steam Blaster™. See Owner's Guide for instructions.

Plug the power cord into an outlet. The STEAM CONTROL button will flash blue.

Press the **STEAM CONTROL** button to select your steam setting: once for **LO**, twice for **HI**, and three times to place the unit in **STANDBY MODE**.



INTELLIGENT STEAM CONTROL®

SETTING	IDEAL FOR THESE SEALED SURFACES	RECOMMENDED USAGE
Tools	Laminate Hardwood Marble	Light cleaning and dusting Loosening and lifting light dirt Cleaning delicate surfaces
LO	Hardwood Marble Tile Stone	Cleaning most surfaces and large areas Basic, everyday cleaning Removing spots and smaller messes Cleaning moderate and heavy-traffic areas
HI	Hardwood Marble Tile Stone	Deep cleaning and cleaning hard-to-clean surfaces Tough cleaning and removing stuck-on messes and stains Deep cleaning heavy-traffic areas Cutting through heavy dirt and grime Sanitizing* floors

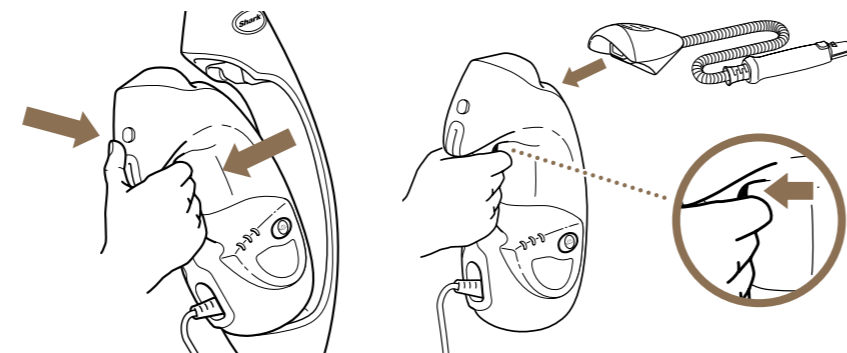
ABOVE-FLOOR CLEANING

Remove the Handheld Steamer by pressing the release button and pulling it away from the cradle.

Note: In Handheld Mode, the **STEAM CONTROL** is preset to **HI** to optimize above-floor cleaning and garment steaming.

Snap the desired accessory into the main nozzle of the Handheld Steamer. Then squeeze the steam trigger to activate steam.

Using 3-to-5-second bursts of the trigger will allow you to steam longer and with more control.



Once done with handheld steaming, press the **STEAM CONTROL** button until the light flashes blue to put the unit in **STANDBY MODE**. Let cool for 2 to 3 minutes before removing mop head, pads, or handheld accessories and storing.

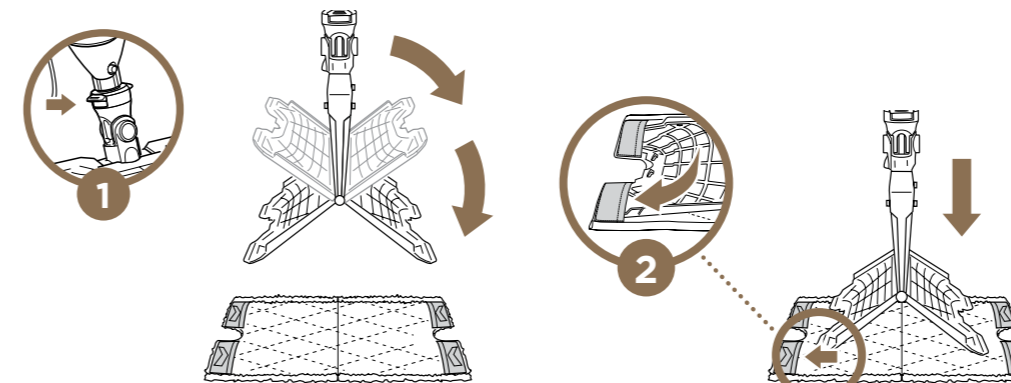
CUSTOM CLEANING ACCESSORIES	HOW TO ATTACH
ACCESSORY HOSE For spot cleaning and direct steaming	Slide Accessory Hose onto the Handheld Steamer.
GARMENT STEAMER Freshen clothing, fabrics, and upholstery	Slide the Garment or Upholstery Bonnet onto the Garment Steamer. Elastic will hold the bonnet in place. Snap the bristle over the Garment Steamer and bonnet then click the Garment Steamer onto the Handheld Steamer.
SMALL ABOVE-FLOOR POCKET TOOL WITH PAD Ideal for small, uneven surfaces. The pointed tip is great for edges and corners.	Slide the pad onto the Small Above-Floor Pocket Tool so it fits snugly. Cinch the elastic band and slide the locking toggle to tighten. Connect the tool to the Accessory Hose by pushing firmly until it clicks into place, then click the Accessory Hose onto the Handheld Steamer.

CAUTION: Make sure the Steam Mop is unplugged or in Standby Mode while attaching or removing the accessories. Avoid touching the accessories, as they will be very hot after steaming.

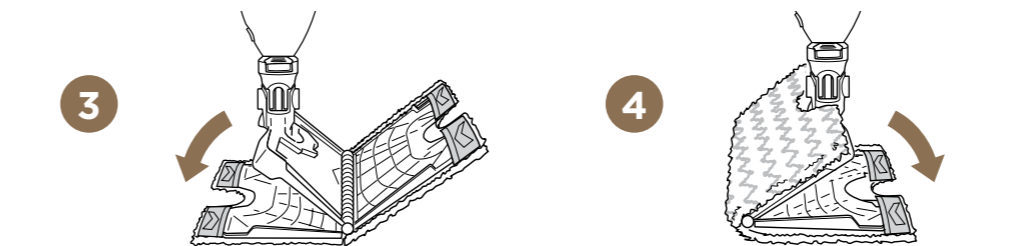
It is recommended that you allow the pads to cool off before removing them from the accessories to avoid possible scalding injury.

INTELLI-MOP™ HEAD TECHNOLOGY

TOUCH-FREE PAD ATTACHMENT



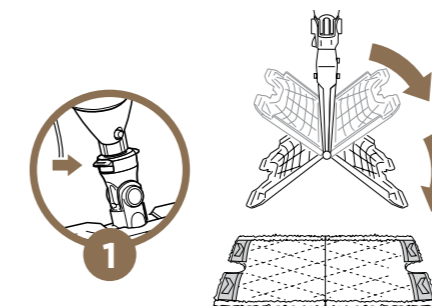
1. Lift the mop straight up by the handle until the Intelli-Mop Head is hanging straight down. Center the mop head above the pad. Press down the release buttons on the sides of the head post, and both sides of the mop head will drop open.
2. Slip the mop head's 4 corner tabs into the 4 corner pockets of the Dirt Grip™ Pad.



3. Gently press the Intelli-Mop Head to the floor on one side of the pad, and that side will click into place.
4. Flip the other side of the Intelli-Mop Head over onto the floor to click into place.

TOUCH-FREE PAD REMOVAL

1. Lift the mop straight up by the handle until the Intelli-Mop Head is hanging straight down. Press down the release buttons on the sides of the head post, and both sides of the mop head will drop open.



DIRT GRIP™ PADS

DOUBLE-SIDED, WASHABLE, REUSABLE

Our washable Dirt Grip Pads are made with fibers specially designed to absorb and trap dirt. This gives your floors an amazing clean, with minimal streaking and short dry times.

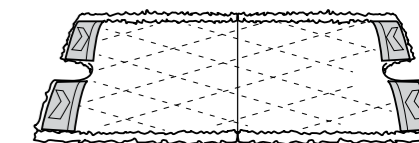
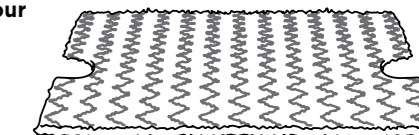
For best cleaning results, we recommend replacing your Dirt Grip Pads following 20 normal uses.

PAD CARE

Machine wash the Dirt Grip Pads separately with warm water using liquid detergent.

NEVER USE BLEACH, POWDERED DETERGENT, OR FABRIC SOFTENERS as they may damage the Dirt Grip Pads.

You can purchase replacement Dirt Grip Pads and other accessories by visiting sharkaccessories.com or calling 1-800-798-7398.



STEAM BLASTER™ TECHNOLOGY

When you need an extra burst of steam to clean tough, dried messes and stuck-on stains, use the Steam Blaster.

1. Flip back the Intelli-Mop™ Head so that it is behind the mop body.
2. Tilt the mop handle back. This will cause the Steam Blaster to emit a concentrated blast of steam onto the floor.
3. To stop the Steam Blaster spray, simply tilt the mop handle forward.
4. Flip the Intelli-Mop Head back into its original position and continue cleaning.

