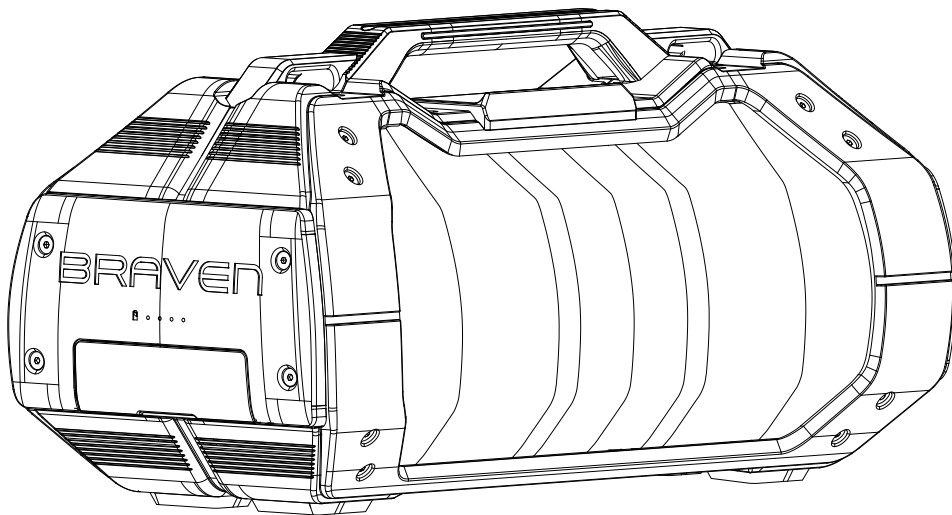


# BRAVEN

## BRV-XXL

USER MANUAL



# **BRAVEN BRV-XXL**

**User Manual**



## Table of Content

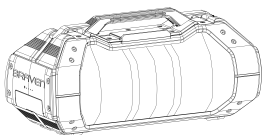
What's in the Box	P1
Product Overview	P2-3
Charging the Speaker	P4
By NFC - Pairing with Bluetooth-enabled Device	P5
By Setting - Pairing with Bluetooth-enabled Device	P6
Playing Music with a 3.5mm Audio Line-in Cable	P7
Using with Microphone	P8
Volume / Bass / Treble Control	P9
Charging Your Device	P10
Carry Strap Instructions	P11
Precautions	P12-13

\* Please fully charge before use.

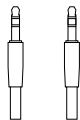
\* Please key in "0000" if passcode is required when pairing.

\* The speaker will automatically turn off after 15 minutes when there is no connections.

\* For optimum performance with your iOS device, please ensure that your device is running iOS 4.1 or above.



BRV-XXL Speaker



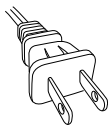
3.5mm AUX cable



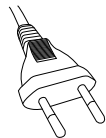
Carry strap



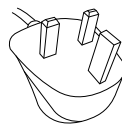
Bottle opener (attached to strap)



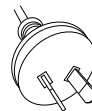
North American power cord



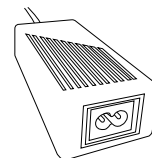
TUV power chord



BS power chord

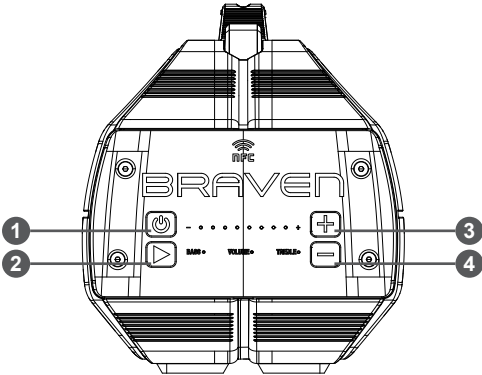


SAA power chord

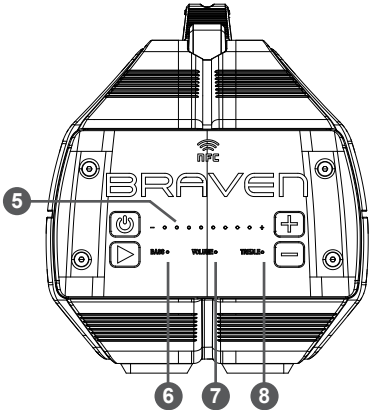


18V,3500mAh power supply

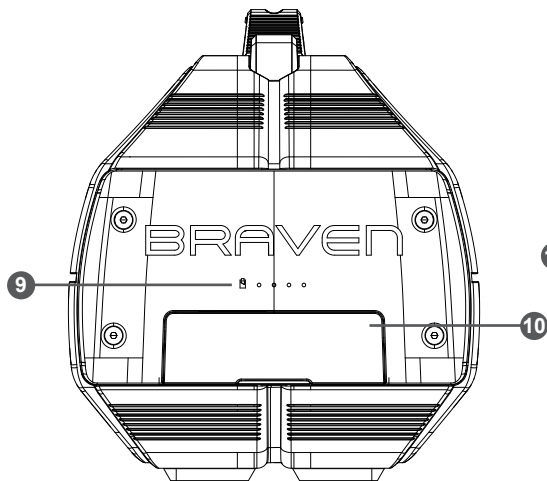
# Product Overview



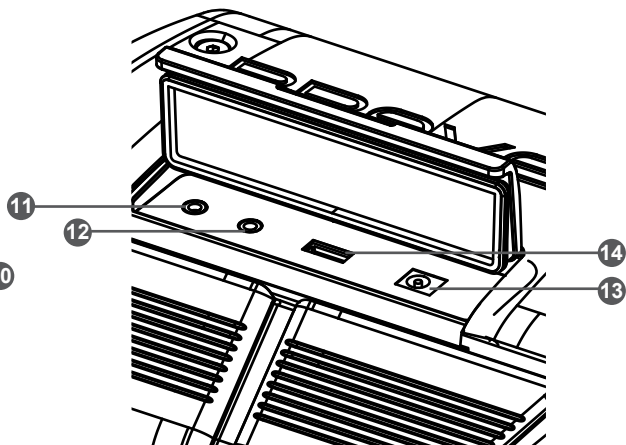
- 1 Power on/off and Mode button
- 2 Pairing button
- 3 Volume / bass / treble up button
- 4 Volume / bass / treble down button



- 5 Volume / Bass / Treble level LED indicators
- 6 Bass mode LED indicator
- 7 Volume mode LED indicator
- 8 Treble mode LED indicator



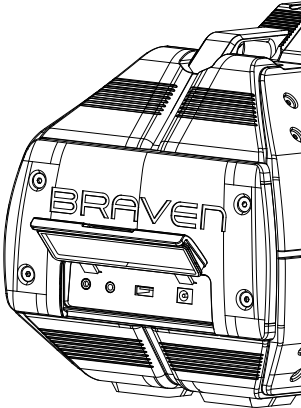
- 9 Battery level LED indicator
- 10 Rubber cover



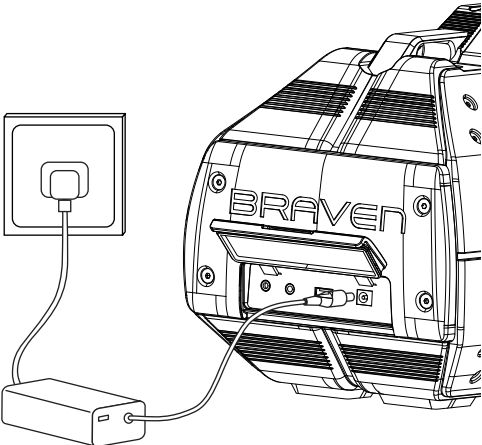
- 11 3.5mm line-in for music source
- 12 3.5mm audio line-in for microphone
- 13 Speaker charging port
- 14 USB charging out port (1A output)

# Charging the Speaker

- \* Please fully charge your speaker before use.
- \* To view battery level, it is required to turn on the speaker for battery level LED indication.

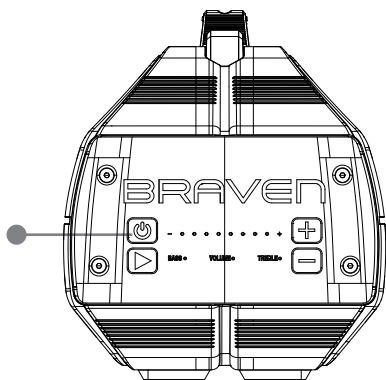


Lift the rubber cover.

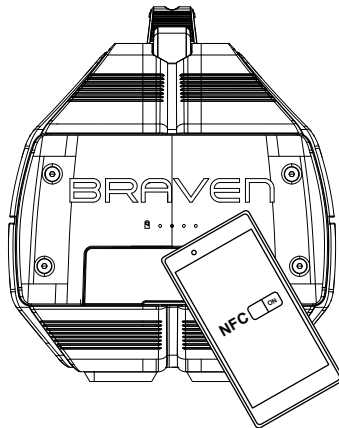


Connect the speaker to power source with the included adapter.

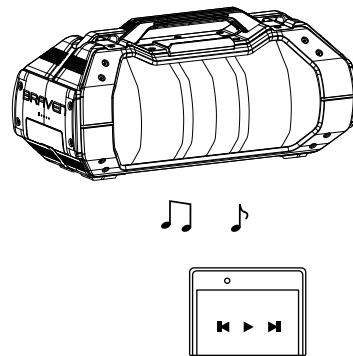
## Pairing with Bluetooth-enabled Device - By NFC



Press and hold the "⏻" button until a prompt tone occurs to turn on the speaker.



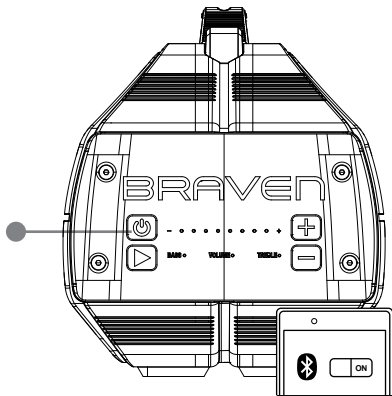
Turn on the NFC feature on your device. Tap your device on the NFC sensor.



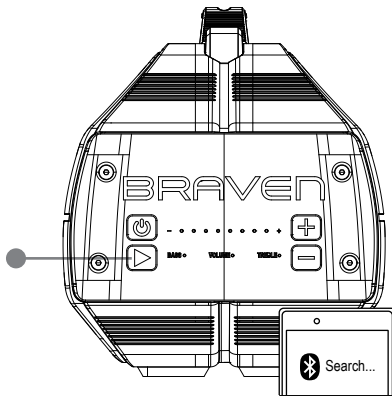
When your device is paired, you will hear the beep once. You can start playing music.



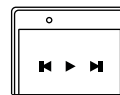
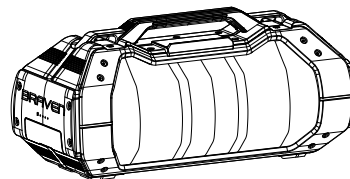
## Pairing with Bluetooth-enabled Device - By Setting



Press and hold the “**⏻**” button until a prompt tone occurs to turn on the speaker.  
Turn on the Bluetooth feature on your device.

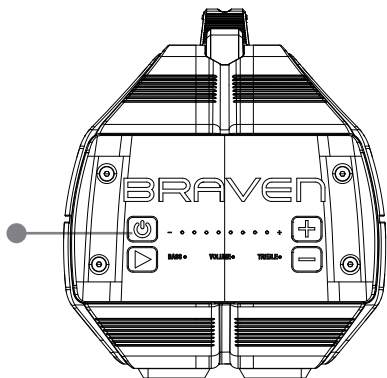



Press and hold the Play Button on your BRAVEN until you hear the BRAVEN pairing sound.

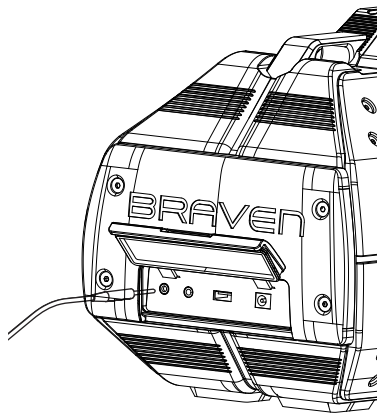


Go to your phone or device's Bluetooth® settings and select “BRAVEN BRV-XXL” from the list.

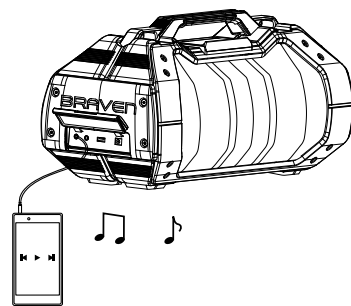
## Playing Music with a 3.5mm Audio Line-in Cable



Press and hold the “” button until a prompt tone occurs to turn on the speaker.

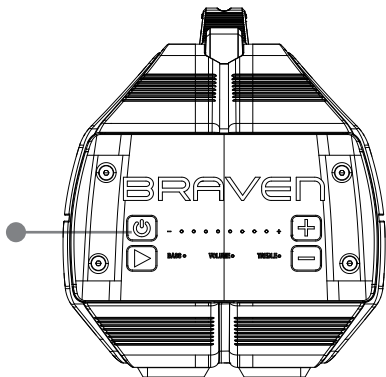



Connect your device and the speaker with a 3.5mm audio line-in cable.

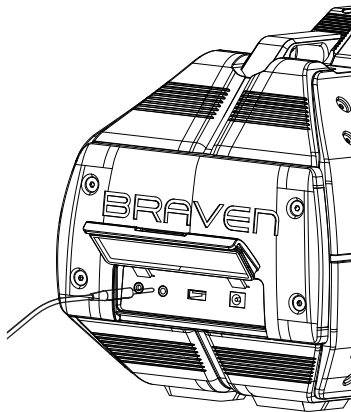


Start playing music from your device.

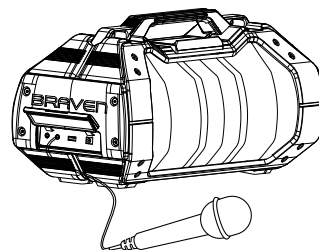
## Using with Microphone



Press and hold the “” button until a prompt tone occurs to turn on the speaker.

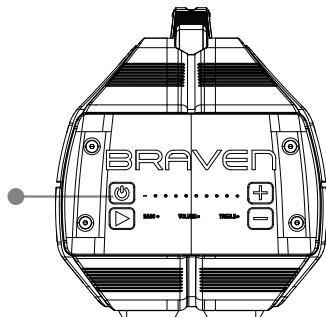


Connect the speaker and the microphone with the 3.5mm jack.



Start using microphone.

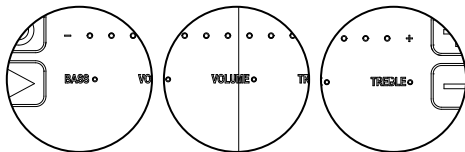
## Volume / Bass / Treble Control



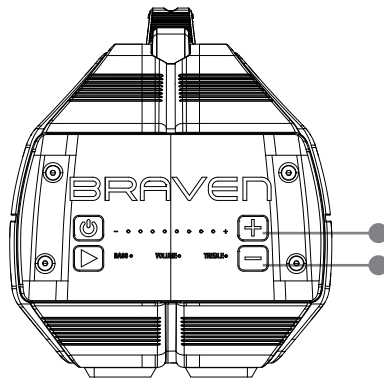
Bass mode

Volume mode

Treble mode

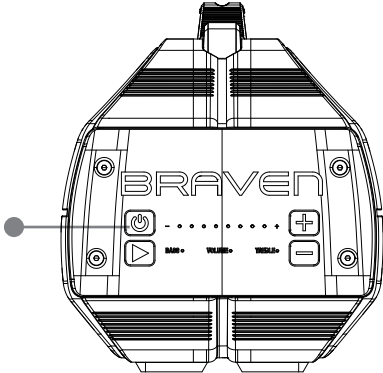


Press the "⏻" button until the corresponding LED indicator illuminates.

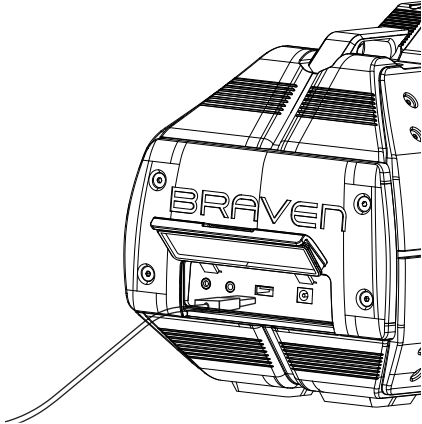


Press the "+" to increase the Volume / Bass / Treble level.  
Press the "-" to decrease the Volume / Bass / Treble level.

# Charging Your Mobile Device

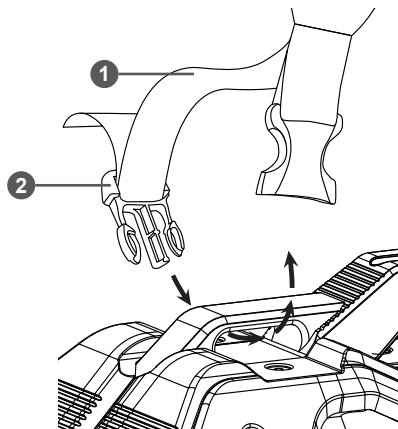


Press and hold the " ⏻ " button until a prompt tone occurs to turn on the speaker.

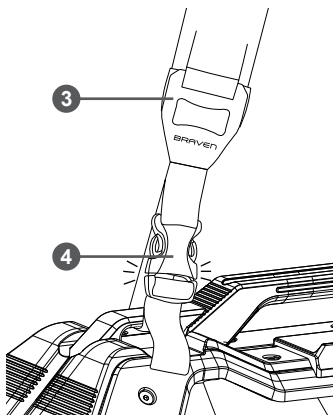


Connect your device and the speaker with a USB cable to start charging.

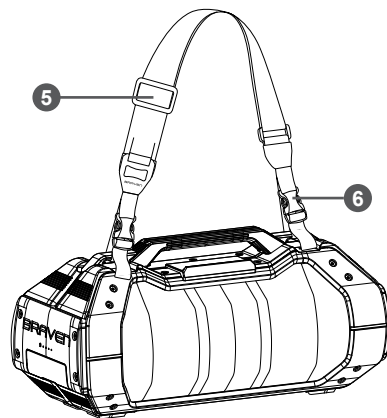
## Carry Strap Instructions



- 1 Unwrap carry strap and release the side release buckle. Thread buckle through the carry strap loop on speaker.
- 2 Adjust buckle straps to preferred length.
- 3 Bottle opener is located on strap.



- 4 Connect side release buckle. Hear a loud "click" to ensure secure connection.
- 5 Adjust shoulder strap to desired length.
- 6 Repeat process on opposite side.



## Precautions

\* Please read these safety instructions carefully to ensure your personal and property safety.

- Do not use this product where contact with moisture, liquids, humidity or rain is possible to avoid electric shock and operating damage.
- Avoid exposing this product to direct sunlight, stove tops or any other heat sources to prevent operating damage.
- Do not cover the ventilation openings to prevent overheating.
- Do not drop, disassemble, deform, modify or insert any objects into this product as operating damage will result.
- Do not attempt to repair, modify or disassemble the product yourself. This product does not contain any user-serviceable components.
- Do not clean the product with alcohol, ammonia based cleaners, abrasive cleaners or wet cloth. Only clean with a soft dry cloth.
- Do not place this product on its side, slanted surfaces as well as the edge of high surfaces, like shelves, during music play to prevent accidental falling.
- Do not bring your product in to contact with any sharp objects as this may cause scratches and operating damage.
- Do not attempt to replace the product battery, it is built-in and is not user changeable.
- Observe all signs and displays that require an electrical device or RF radio product to be switch off in designated areas.
- Turn off your product prior to boarding an aircraft. Do not use the product inside an aircraft unless allowed by your airline.
- Dispose of the product and the product's battery in accordance with local laws and regulations.
- Do not dispose of the battery with regular household waste.

To reduce the risk of fire or electric shock, do not expose the BRAVEN to rain or moisture while charging. The BRAVEN should not be exposed to dripping or splashing, and objects filled with liquids, such as vases, should not be placed on or near it while being charged or charging other devices. As with any electronic products, use care not to spill liquids into any part of the product. Liquids can cause a failure and/or a fire hazard. The power supply must be used indoors only. Make no modifications to the product or accessories. Unauthorized alterations may compromise safety, regulatory compliance, and system performance, and will void the warranty. Do not place any flame sources, such as lighted candles, on or near the BRAVEN. The BRAVEN contains small parts that may be a choking hazard and is not suitable for children under age 3. Do not continue charging the battery if it does not reach full charge within the specified charging time. Overcharging may cause the battery to become hot, rupture, or ignite. If you see any heat deformation or leakage, properly dispose of the battery. Do not attempt to charge the battery in temperatures outside the range of 32°-104°F (0°-40°C). If the battery begins to leak, do not allow the liquid to come in contact with your skin or eyes. If contact has been made, wash the affected area with plenty of water and seek medical attention immediately. Do not expose the product or battery to excessive heat, including direct sunlight or fire and storage or use inside cars in hot weather, where it can be exposed to temperatures in excess of 115°F (60°C). Doing so may cause the battery and power supply to generate heat, rupture, or ignite. Using the product in this manner also may result in a loss of performance and a shortened life expectancy. Extended exposure to direct sunlight may damage the external appearance and material qualities. Do not step on, throw, or drop batteries or the power supply or device, or expose them to a strong shock. Do not pierce, crush, dent, or deform the batteries or power supply in any way. If either becomes deformed, properly dispose of it. Do not short-circuit batteries. Do not attempt to service the BRAVEN yourself. Opening or removing covers may expose you to dangerous voltages or other hazards and will void the manufacturer's warranty. To prevent risk of fire or electric shock, avoid overloading wall outlets, extension cords, or integral convenience receptacles. Your Bluetooth device (mobile phone, music player, tablet, laptop, etc.) must support the A2DP Bluetooth profile in order to work wirelessly with your new BRAVEN speaker. The A2DP profile is supported by most recent mobile products with built-in Bluetooth capability. Please refer to your device's user manual for details and instruction regarding the Bluetooth profiles it supports. This device complies with part 15 of the FCC Rules. Operation is subject to the following two conditions: (1) This device may not cause harmful interference, and (2) this device must accept any interference received, including interference that may cause undesired operation.

NOTE: This equipment has been tested and found to comply with the limits for a Class B digital device, pursuant to part 15 of the FCC Rules. These limits are designed to provide reasonable protection against harmful interference in a residential installation. This equipment generates, uses and can radiate radio frequency energy and, if not installed and used in accordance with the

instructions, may cause harmful interference to radio communications. However, there is no guarantee that interference will not occur in a particular installation. If this equipment does cause harmful interference to radio or television reception, which can be determined by turning the equipment off and on, the user is encouraged to try to correct the interference by one or more of the following measures:—Reorient or relocate the receiving antenna. —Increase the separation between the equipment and receiver. —Connect the equipment into an outlet on a circuit different from that to which the receiver is connected. — Consult the dealer or an experienced radio/TV technician for help.

**CAUTION:** Any changes or modifications not expressly approved by the party responsible for compliance could void the user's authority to operate the equipment.

**FCC RADIATION EXPOSURE STATEMENT:** This device complies with FCC radiation exposure limits set forth for an uncontrolled environment.

This device complies with Industry Canada license-exempt RSS standard(s). Operation is subject to the following two conditions: (1) this device may not cause interference, and (2) this device must accept any interference, including interference that may cause undesired operation of the device. Under Industry Canada regulations, this radio transmitter may only operate using an antenna of a type and maximum (or lesser) gain approved for the transmitter by Industry Canada. To reduce potential radio interference to other users, the antenna type and its gain should be so chosen that the equivalent isotropically radiated power (e.i.r.p.) is not more than that necessary for successful communication.

Lithium Battery installed is not intended to be replaced by the USER.

**CAUTION:** Danger of explosion if battery is incorrectly replaced. Replace only with the same or equivalent type.

Where the MAINS plug is used as the disconnect device, the disconnect device shall remain readily operable.

The device meets the exemption from the routine evaluation limits in section 2.5 of RSS 102 and compliance with RSS-102 RF exposure, users can obtain Canadian information on RF exposure and compliance.



Correct Disposal of this product. This marking indicates that this product should not be disposed with other household wastes throughout the EU. To prevent possible harm to the environment or human health from uncontrolled waste disposal, recycle it responsibly to promote the sustainable reuse of material resources. To return your used device, please use the return and collection systems or contact the retailer where the product was purchased.

#### FCC Caution

- Any changes or modifications not expressly approved by the party responsible for compliance could void the user's authority to operate this equipment.
- This device and its antenna(s) must not be co-located or operating in conjunction with any other antenna or transmitter.

#### Industry Canada (IC) Compliance Notice

This device complies with Industry Canada license-exempt RSS standard(s). Operation is subject to the following two conditions: (1) this device may not cause interference, and (2) this device must accept any interference, including interference that may cause undesired operation of the device. Under Industry Canada regulations, this radio transmitter may only operate using an antenna of a type and maximum (or lesser) gain approved for the transmitter by Industry Canada. To reduce potential radio interference to other users, the antenna type and its gain should be so chosen that the equivalent isotropically radiated power (e.i.r.p.) is not more than that necessary for successful communication.



This product complies with California Energy Commission efficiency standards for consumer battery chargers.



# BRAVEN



**ONLINE:** [www.braven.com](http://www.braven.com)



**MANUAL:** [www.braven.com/manuals](http://www.braven.com/manuals)



**SUPPORT:** [www.braven.com/support](http://www.braven.com/support)



**EMAIL:** [support@braven.com](mailto:support@braven.com)



**PHONE:** 1-877-9 BRAVEN (1-877-927-2836)



**TUTORIALS:** [www.braven.com/tutorials](http://www.braven.com/tutorials)