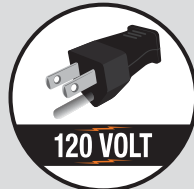


2 Stage ECO Portable Baseboard KP1215-ECO

750/1500 Watt 2-Stage Heating



120 VOLT
NEMA 6-15P



Model Code:

KP	12	15	-ECO
A	B	C	D

A: Series
B: 12 - 120V
C: Watts (1500)
D: Energy Saving ECO-stat



- Dual wattage 750/1500W element
- 2-Stage, Energy saving ECO-stat
- ECO-indicating lights
- High temperature limit
- Lighted ON/OFF power switch
- 6 foot cord with grounded plug
- All angle tip-over switch
- White finish/Gray trim
- Quiet and efficient convection heat
- Convenient carry handle on back
- With rounded corners and wide base feet
- 1-year limited warranty



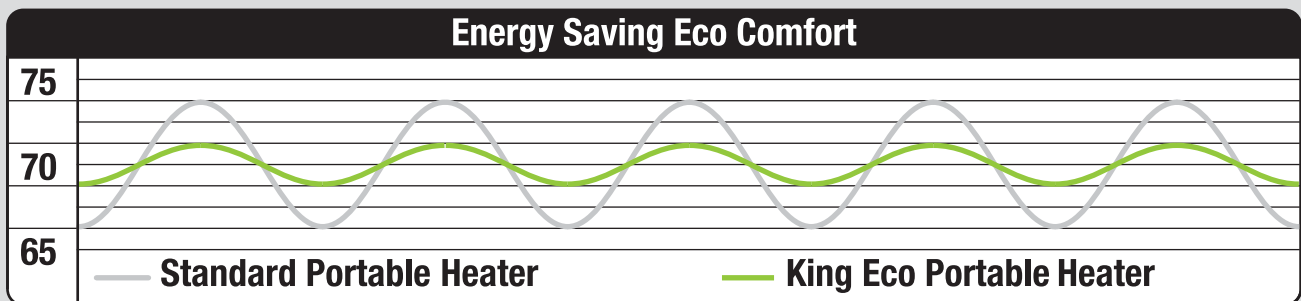
The KP1215-ECO Portable Baseboard Heater

King Electric's KP1215-ECO with EcoStat automatically uses the lowest wattage required to heat the room, reducing energy consumption. The EcoStat ensures consistent comfort by minimizing room temperature swings. In a cold room it utilizes full power to heat a room quickly. Once the desired temperature is achieved, the heater automatically reduces the wattage to maintain the room temperature. Maximum comfort is achieved.

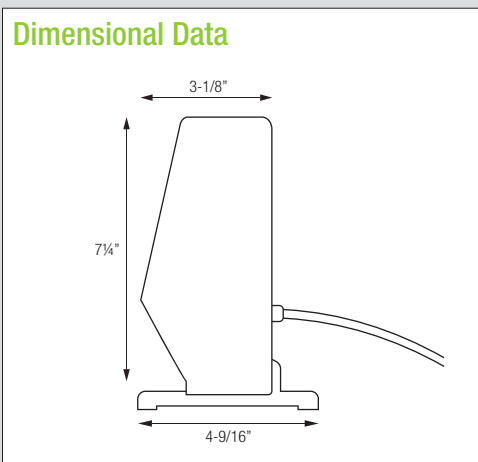
Ordering Information

MODEL	UPC	VOLTS	WATTS	LENGTH	BTUH	AMPS	PLUG TYPE	WEIGHT (lbs.)
KP1215-ECO	20794	120	750/1500	5 FT.	2560/5120	6.25-12.5	120V Plug	11.5

KP1215-ECO



Dimensional Data



Crush Proof Design - dual wattage element

