

Portable Baseboard KP/KPH Series



Model Code:

KP	12	10
A	B	C

A: Series
B: Volts 120V
C: Watts 1000



- Aluminum finned element
- Convection heat
- All angle tip-over switch
- 6 ft. cord w/ grounded plug, 120V
- Baked enamel finish
- Molded base feet
- Carrying handle on back
- Standard Color: white
- Full length safety cutout
- Quiet running
- Pilot light
- Built in thermostat
- 1-year limited warranty

The KP/KPH Series Portable Baseboard Heater

A portable baseboard is an easy way to add supplementary heat to any room. Baseboards are quiet and trouble-free. A tip-over switch is standard so if the heater is knocked over it will automatically shut off. A built-in thermostat and a 6 foot, 3-wire grounded outlet plug for additional safety are provided. This heater is so rugged it is approved for U.S. government contracts.

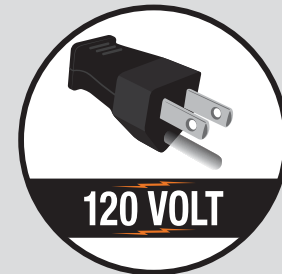
Ordering Information

MODEL	UPC	VOLTS	WATTS	AMPS	LENGTH	SHIP WEIGHT lbs
KP1210	10142	120	1000	8.3	4 ft.	11.5
KPH1210	10143	120	1000	8.3	3 ft.	9.0

Engineering Specifications

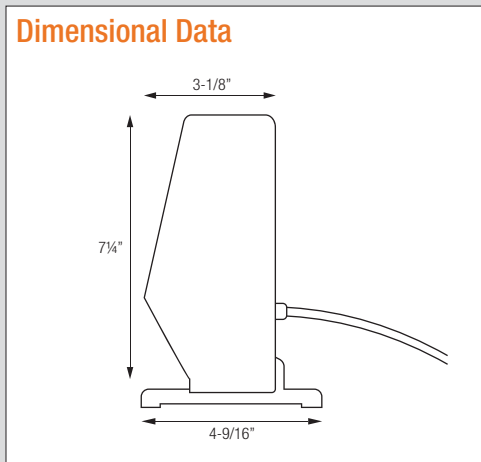
Approvals: UL (E29778)

Plug Configurations



NEMA 5-15P

Dimensional Data



Crush Proof Design

