



IGLAND

NEWS!

52 and 52S winch



**PRODUCTCATALOGUE
2022-2023**

Valid from July 1, 2022

IGLAND winches thru 75 years



1952 - Universalvinsj

1960 - Standard 3000/1, Standard 3000/2

1964 - Spesial 4000/4

1965 - Spesial 4000/2



1966 - Compact 3000/1, Compact 3000/2

1969 - Spesial 8000/2H

1971 - Alpevinsjen



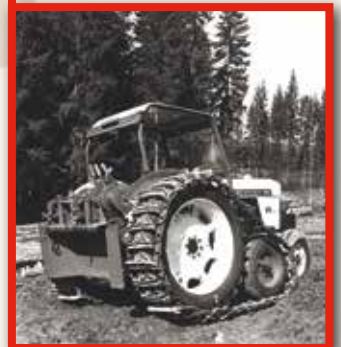
1972 - Compact 5000/2H, Compact 5000/2

1976 - Perfekt 3000/2, Primo 3000

1977 - Primax 5000

1980 - Telescope

1982 - Primette 4000



1983 - Grosso 8000, Compact 3500/2LH

1984 - Compact 6000/2LH, Prima 5601

1985 - 203 Watercooling

1988 - 3601, 5601

1989 - 2601





1990 - 6002 T

1991 - 3001

1993 - 203 Interlock

1994 - 350 Interlock

1995 - 6601, 5002 TL, 8002 TL

1996 - 5001, 6001

1997 - 4001

**1998 - 3201, 9001 Grosso, 4201,
5201, 5002 Pento TL,
6002 Pronto TL/TLP, 9002 Maxo TL/TLP**

2001 - 4101

2002-2001 - 85H, 6101, 4501, 65H

2003 - 55

2010 - 60, 55A

2012 - 3501

2019 - 42

2020 - 42S, 2501

2022 - 52, 52S



Tractor chains

IGLAND is along with TRYGG tirechain, brands produced by Nøsted &. Combine your IGLAND products with TRYGG tirechains. Scan qr code and find the chain for your vehicle.





FOREST

page 6-43

- Winches **NEWS! 52 and 52S**
- Components
- Accessories
- Timber trailer and cranes **NEWS! 180 and 580**



FIRE WOOD

page 44-48

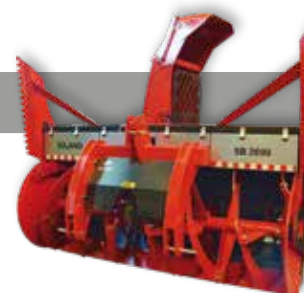
- Logsplitter
- Wood processors
- Accessories



ROAD

page 49-64

- Rear blade
- Sand spreader **NEWS! DS 1600**
- Snow blower V-type SlideFlex
- Two stage Snow blower
- Two stage Snow blower SlideFlex
- Snow plow



LIFT

page 65-78

- Round bale tipper
- Round bale claw
- Round bale handler
- Round bale spear
- Pallet forks and Multigrip
- Grapple
- Big bag lift
- Dozer blade





IGLAND 55-75S



IGLAND FOREST



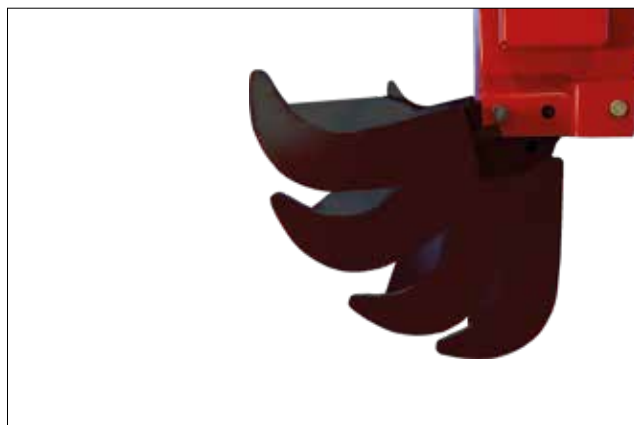
With this series, you get powerful and reliable forest winches, suitable for intermediate tasks and fits agricultural tractors from 15 hp up to 80 hp. The winches have optional high and low pull-in blocks. High pull in block provides better "lifting" of the logs during winching. The winches are operated mechanically with cord system but can also be supplied with radio control. A specially designed hinged logging plate, "carries" the timber over stumps and stones. Long distance between top block and drum provides a nice distribution of the steel rope on the entire drum. The series is equipped with Anti-backlash brake and full cable guard that prevent the tracing of steel wire on the drum. The winch has ratchet brake and 3-point hitch as standard. See options for upgrading.



TECH. DATA:	2501
Pulling capacity:	25 kN (2,5 tons)
Fits tractors:	11-25 kW (15-35 hp)
Safety brake:	No
Weight:	127 kg
Width:	0,92 meter
Height:	129 cm

PART NR. DESCRIPTION

- IG308010 IGLAND 2501
- IG022151 Chainsaw holder
- IG200159 Steel wire rope, 8 mm 40 m w/end hook
- IG200810 Slider with swivel
- IG201201 Choker chain, 6 t
- IG209100 Power transmission shaft



Hinged loggingplate

OPTIONS / ACCESSORIES SEE PAGE 20-26

IGLAND 3501



TECH. DATA:	3501
Pulling capacity:	35 kN (3,5 tons)
Fits tractors:	26 – 52 kW (35 – 70 hp)
Safety brake:	No
Weight:	200 kg
Width:	1,22 meter
Height:	160 cm

PART NR.	DESCRIPTION
IG300740	Igland 3501
IG022150	Oil Can Holder
IG022151	Chainsaw holder
IG200166	Steel wire rope, 9-50-5300
IG200810	Slider with swivel
IG201201	Choker chain, 6 t
IG209100	Power transmission shaft
IG095440	Radio operation



IGLAND 4501



TECH. DATA:	4501
Pulling capacity:	45 kN (4,5 tons)
Fits tractors:	26 – 52 kW (35 – 70 hp)
Safety brake:	No
Weight:	260 kg
Width:	1,50 meter
Height:	190 cm

PART NR.	DESCRIPTION
IG300052	Igland 4501
IG022150	Oil Can Holder
IG022151	Chainsaw holder
IG200171	Steel wire rope, 10-50-6570
IG200810	Slider with swivel
IG201201	Choker chain, 6 t
IG209120	Power transmission shaft
IG095229	Radio operation



OPTIONS / ACCESSORIES SEE PAGE 20-26

IGLAND 42



Ideal for quick connection!

See page 24

TECH. DATA:	42
Pulling capacity:	42 kN (4,2 tons)
Fits tractors:	30 – 52 kW (40 – 70 hp)
Safety brake:	No
Weight:	226 kg
Width:	1,44 meter
Height:	131 cm



IGLAND 42 WINCH

Igland 42 is a powerful, strong and reliable forest winch with good working capacity. The winch has a simple construction and is very easy to operate and to maintain. Large drum capacity allows for different selections of steel ropes.

The winch is operated by cord from the tractor seat or in the distance to the sides. Ideal for small to medium tractors, for example, it is particularly suitable for e.g. Accord (Triangle) quick coupler (optional).



PART NR.	DESCRIPTION
IG308020	Igland 42
IG022150	Oil Can Holder
IG022151	Chainsaw holder
IG200171	Steel wire rope, 10-50-6570
IG200810	Slider with swivel
IG201201	Choker chain, 6 t
IG209100	Power transmission shaft
IG095450	Radio operation



OPTIONS / ACCESSORIES SEE PAGE 20-26



FOREST

IGLAND 42S



Ideal for quick connection!

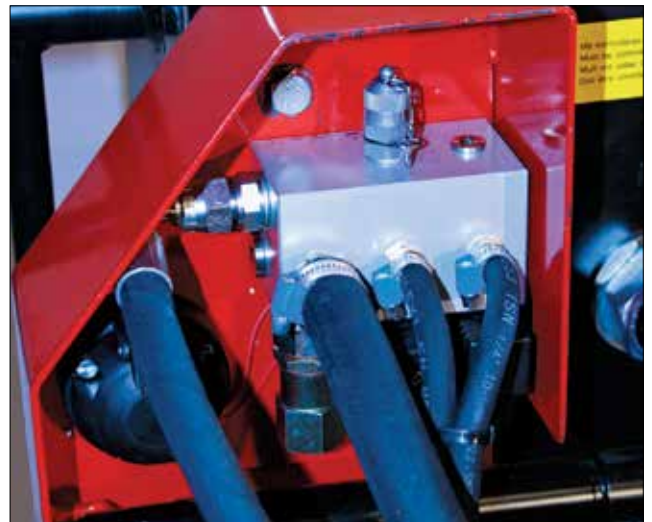
See page 24

TECH. DATA:	42S
Pulling capacity:	42 kN (4,2 tons)
Fits tractors:	30 – 52 kW (40 – 70 hp)
Safety brake:	Yes
Weight:	235 kg
Width:	1,44 meter
Height:	131 cm



IGLAND 42S WINCH

Igland 42 s is robust, stable and efficient forest winch. Suitable for agricultural tractors from 40 - 70 hp. This winch are equipped with an automatic safety brake that makes the winch more user-friendly and more flexible in transition from start to stop. Extremely simple functional principles, suitable for beginners. The winch has a fully welded construction that requires little maintenance. Anti-backlash brake and full cable guard. With the right accessories, this winch is a perfect choice for those looking for a "pro-winch" in a mini-format.



Electro hydraulic central

PART NR.	DESCRIPTION
IG308030	Igland 42S
IG022150	Oil Can Holder
IG022151	Chainsaw holder
IG200171	Steel wire rope, 10-50-6570
IG200810	Slider with swivel
IG201201	Choker chain, 6 t
IG209100	Power transmission shaft
IG095226	Radio operation



OPTIONS / ACCESSORIES SEE PAGE 20-26

NEW MODEL!



The new Igland 52 is a handy, strong and solid winch with pulling force of 5.2 metric tons. It is suitable for agricultural tractors from 60 hp and up. The winch is equipped with a ratchet break (drum lock) which makes the winch easy to control. With simple operating principles it requires little maintenance and provide reliable operation, available with rope or radio control. The winch has drum brake to prevent derailment of the wire rope. The winch has a large log plate and 3-point hitch with categories 1, 2 and 3.



TECH. DATA:	52
Pulling capacity:	52 kN (5,2 tons)
Fits tractors:	60-90 hp
Brake:	Ratchet brake
Weight:	285 kg
Width:	1,7 meter
Height:	151,5 cm

PART NR. DESCRIPTION

- IG308030 Igland 42S
- IG022150 Oil Can Holder
- IG022151 Chainsaw holder
- IG200171 Wire rope, 11 mm x 50 m
- IG200810 Slider with swivel
- IG201201 Choker chain, 6,7 t
- IG209100 Power transmission shaft
- IG095226 Radio remote control incl. LH hydraulic



NEWS!

New type of support legs make the winch stand straighter

OPTIONS / ACCESSORIES SEE PAGE 20-26

IGLAND 52S

NEW MODEL!



TECH. DATA:	52S
Pulling capacity:	52 kN (5,2 tons)
Fits tractors:	60-90 hp
Safety brake:	Yes
Weight:	290 kg
Width:	1,7 meter
Height:	151,5 cm



NEWS!

New type of support legs make the winch stand straighter

IGLAND 52S WINCH

The new Igland winch 52S is strong, steady and efficient with automatic breaks. It is suitable for agricultural tractors from 60 hp and up. The winch is bigger and more powerful than the 42S, otherwise it has the same principal functions and construction. It is suitable for clear cutting as well as thinning. The wide log plate provides plenty of space for timber and provides a good fit even on larger tractors. The automatic brakes may be used to reduce risk when cutting trees. The winch has a 3-point hitch adapted to categories 1, 2 and 3. Properly equipped the winch will handle a large volume. The winch is delivered with a standard or super package.



PART NR.	DESCRIPTION
IG308030	Igland 42S
IG022150	Oil Can Holder
IG022151	Chainsaw holder
IG200171	Wire rope, 11 mm x 50 m
IG200810	Slider with swivel
IG201201	Choker chain, 6,7 t
IG209100	Power transmission shaft
IG095226	Radio remote control incl. LH hydraulic



OPTIONS / ACCESSORIES SEE PAGE 20-26

IGLAND 55A



IGLAND 55A WINCH

Powerful one-drum forest winch for those who want to pile up large amounts of timber. The above-average drum has the capacity to accommodate a wide range of wire rope in adequate lengths. A rugged and simple construction with a low centre of gravity provides good visibility from the tractor cabin. This winch is equipped with a double clutch for greater reliability, less wear and longer lifespan. A logging plate width of 1.5 meter is ideal for loading site work and provides excellent support when pulling in timber.



TECH. DATA:	55A
Pulling capacity:	55 kN (5,5 tons)
Fits tractors:	45 – 69 kW (60 – 95 hp)
Safety brake:	Yes
Weight:	310 kg
Width:	1,5 meter
Height:	160 cm

PART NR.	DESCRIPTION
IG300925	Igland 55A
IG022150	Oil Can Holder
IG022151	Chainsaw holder
IG199564	Steel wire rope, 10-70-9200
IG201210	Slider with swivel
IG201504	Choker chain, 6,7 t
IG209120	Power transmission shaft
IG091174	Radio operation
IG153217	Pullmatic w/radio
IG153212	Electro hydrate oil supply



OPTIONS / ACCESSORIES SEE PAGE 20-26



FOREST

IGLAND 60



TECH. DATA:	60
Pulling capacity:	60 kN (6 tons)
Fits tractors:	45 – 74 kW (60 – 100 hp)
Safety brake:	Yes
Weight:	390 kg
Width:	1,73 meter
Height:	207 cm

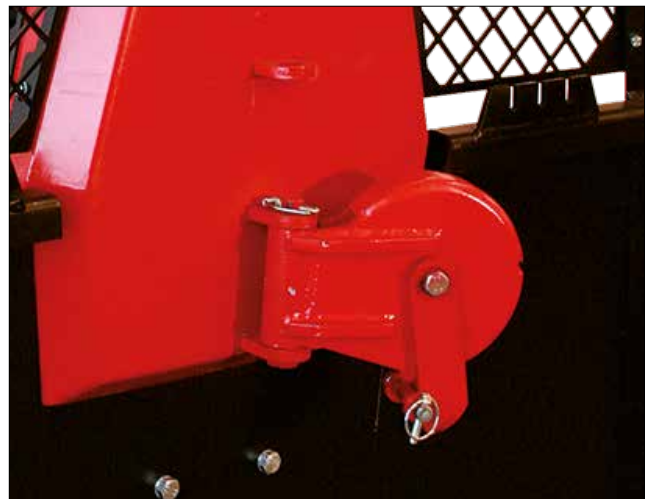


IGLAND 60 WINCH

Powerful one-drum forest winch for those in need of a powerful and reliable winch. IGLAND 60 has an unusually large drum capacity to provide space for a wide range of wire rope in adequate lengths. A rugged and simple design with large logging plate provides excellent ground support. The winch is equipped with a double clutch for greater reliability, less wear and longer lifespan.



PART NR.	DESCRIPTION
IG300910	Igland 60
IG022150	Oil Can Holder
IG022151	Chainsaw holder
IG199564	Steel wire rope, 10-70-9200
IG201210	Slider with swivel
IG201504	Choker chain, 6,7 t
IG209120	Power transmission shaft
IG091174	Radio operation
IG153508	Pullmatic w/radio
IG095040	Electro hydrate oil supply



OPTIONS / ACCESSORIES SEE PAGE 20-26

IGLAND 65H



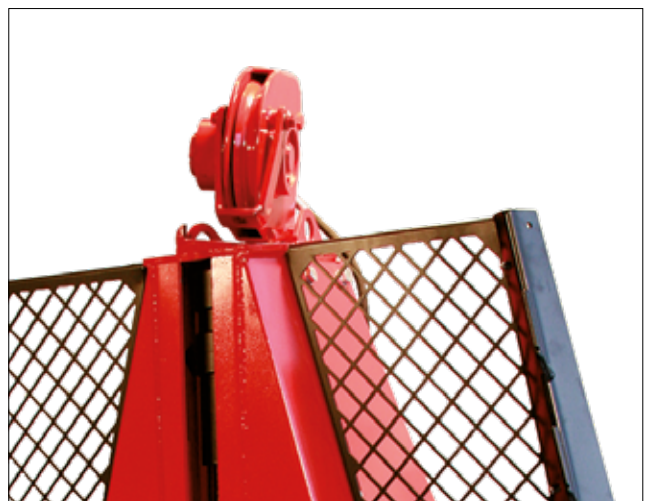
IGLAND 65H WINCH

Powerful one-drum forest winch for those in need of a powerful and reliable winch. This is a "heavy-duty" winch intended for large tasks and provides good working conditions. IGLAND 65H has the capacity to accommodate a wide range of wire rope in adequate lengths. Rugged and simple design with large logging plate provides excellent ground support. IGLAND 65H can be fitted with an hydraulic adjustable pulling point if desired. This winch has electrohydraulic high pressure operation with self-contained hydraulics.



TECH. DATA:	65H
Pulling capacity:	65 kN (6,5 tons)
Fits tractors:	45 - 90 kW (60 - 120 hp)
Safety brake:	Yes
Weight:	615 kg
Width:	1,95 meter
Height:	215 cm

PART NR.	DESCRIPTION
IG300940	Igland 65H
IG022150	Oil Can Holder
IG022151	Chainsaw holder
IG199564	Steel wire rope, 10-70-9200
IG201210	Slider with swivel
IG201504	Choker chain, 6,7 t
IG209120	Power transmission shaft
IG090656	7-pols contact
IG091175	Radio operation
IG164008	Pullmatic



OPTIONS / ACCESSORIES SEE PAGE 20-26



FOREST

IGLAND 85H



TECH. DATA:	85H
Pulling capacity:	85 kN (8,5 tons)
Fits tractors:	66 – 103 kW (90 – 140 hp)
Safety brake:	Yes
Weight:	880 kg
Width:	2,06 meter
Height:	230 cm

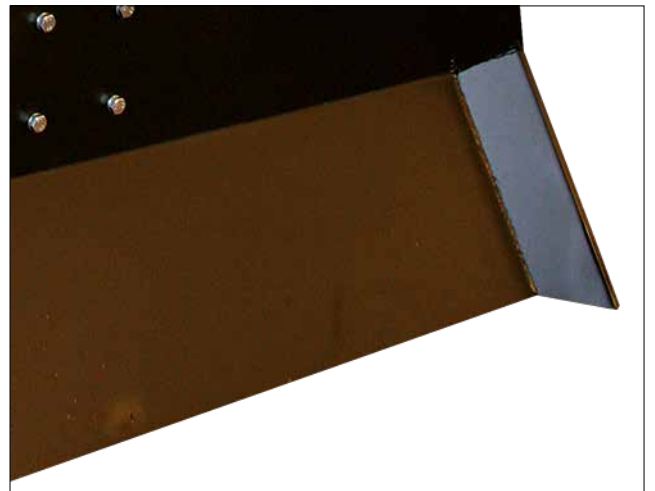


IGLAND 85H WINCH

IGLAND most powerful one-drum forest winch. This is a very solid and robust winch designed for large tasks. The winch is equipped with a large logging plate providing excellent ground support and is ideal for timber stacking at the loading site. Very good drum capacity provides good choices of wire. The winch is equipped with a double clutch for greater reliability, less wear and longer lifespan. The construction of the winch provides excellent haul-in characteristics. 85H has a SPOOLMATIC coil unit which distributes the wire rope evenly across the drum that ensures high traction during haul-in. IGLAND 85H can be fitted with an hydraulic adjustable pulling point as option. This winch has electrohydraulic high pressure operation with self-contained hydraulics.



PART NR.	DESCRIPTION
IG300191	Igland 85H
IG022150	Oil Can Holder
IG022151	Chainsaw holder
IG199584	Steel wire rope, 10-70-9200
IG201210	Slider with swivel
IG201700	Choker chain, 10 t
IG209140	Power transmission shaft
IG090656	7-pols contact
IG091175	Radio operation
IG184008	Pullmatic



OPTIONS / ACCESSORIES SEE PAGE 20-26

IGLAND 5002 Pento TL



IGLAND 5002 PENTO TL WINCH

IGLAND 5 ton double-drum forestry winch. This model is ideal for thinning of forest and makes the final harvesting easy. The winch is designed for mounting on farm tractors with a 3-point hitch. The pull capacity is 50 kN (5 tons) for each drum. The advantage of double-drum winch is the ability to distribute the load on two wire ropes. This results in the timber being more manageable, which in turn results in safer and more productive working conditions.



TECH. DATA:	5002 Pento TL
Pulling capacity:	50 kN (5 tons) pr. drum
Fits tractors:	52 – 81 kW (70 – 110 hp)
Safety brake:	Yes
Weight:	683 kg
Width:	2,05 meter
Height:	160 cm

PART NR.	DESCRIPTION
IG300491	5002 Pento TL
IG022150	Oil Can Holder
IG022151	Chainsaw holder
IG199564	Steel wire rope, 10-70-9200
IG201210	Slider with swivel
IG201504	Choker chain, 6,7 t
IG209140	Power transmission shaft
IG090656	7-pols contact
IG091178	Radio operation



OPTIONS / ACCESSORIES SEE PAGE 20-26



FOREST

IGLAND 6002 Pronto TLP



TECH. DATA:	6002 Pronto TLP
Pulling capacity:	60 kN (6 tons) pr. drum
Fits tractors:	52 – 88 kW (70 – 120 hp)
Safety brake:	Yes
Weight:	838 kg
Width:	2,20 meter
Height:	185 cm



IGLAND 6002 PRONTO TLP WINCH

IGLAND 6 ton double-drum forestry winch. A professional winch that meets the requirements of strength for tough challenges that forestry equipment are exposed for.

The winch is designed for mounting on farm tractors with a 3-point hitch. The winch is equipped with electrohydraulic high pressure operation with self-contained hydraulics with oil supply system (separate pump and oil tank), independent of the tractor's hydraulic system. This eliminates the possibilities for contamination when transferred from / to the tractor's hydraulic system and also protects the environment from oil spills, related to equipment replacement or changes. The large drums make it possible to maintain traction over long stretches. The pull capacity is 60 kN (6 tons) for each drum. The advantage of a double-drum winch is the ability to distribute the load on two wire ropes. This results in the timber being more manageable, which in turn results in safer and more productive working conditions.



PART NR.	DESCRIPTION
IG300612	6002 Pronto TLP
IG022150	Oil Can Holder
IG022151	Chainsaw holder
IG199564	Steel wire rope, 10-70-9200
IG201210	Slider with swivel
IG201504	Choker chain, 6,7 t
IG209140	Power transmission shaft
IG090656	7-pols contact
IG091178	Radio operation
IG165103	Pullmatic w/radio



OPTIONS / ACCESSORIES SEE PAGE 20-26

IGLAND 9002 Maxo TLP



IGLAND 9002 MAXO TLP WINCH

IGLAND 9 ton double-drum forestry winch. A professional winch that meets the requirements of strength for tough challenges that forestry equipment are exposed for. The winch is designed for mounting on farm tractors with a 3-point hitch. The winch is equipped with electrohydraulic high pressure operation with self-contained hydraulics with oil supply system (separate pump and oil tank), independent of the tractor's hydraulic system. This eliminates the possibility of contamination when transferred from/to the tractor's hydraulic system and protects the environment from oil spills, related to equipment replacement or changes. Large drum makes it possible to maintain traction over long stretches. The pull capacity is 90 kN (9 tons) for each drum. The advantage of double-drum winch is to be able to distribute the load on two wire ropes. This results in the timber being more manageable, which in turn results in safer and more productive working conditions.



TECH. DATA:	9002 Maxo TLP
Pulling capacity:	90 kN (9 tons) pr. drum
Fits tractors:	fra 59 kW (80 hk) and upwards
Safety brake:	Yes
Weight:	877 kg
Width:	2,20 meter
Height:	185 cm

PART NR.	DESCRIPTION
IG300622	9002 Maxo TLP
IG022150	Oil Can Holder
IG022151	Chainsaw holder
IG199584	Steel wire rope, 10-70-11100
IG201210	Slider with swivel
IG201700	Choker chain, 10 t
IG209140	Power transmission shaft
IG090656	7-pols contact
IG091178	Radio operation
IG165103	Pullmatic w/radio



OPTIONS / ACCESSORIES SEE PAGE 20-26



FOREST

2-DRUM WINCH-HEAD



2-DRUM WINCH-head

- IG300498 **IGLAND 5002 Pento**
El.hydr. operation LH, sprocket wheel backward, includes drive chain, 13-pole contact. Universal resistance-free coupling is included.
NB! For sprocket wheel forward, see part number: IG300983 / IG300984
- IG300618 **IGLAND 6002 Pronto**
Electrohydraulic high pressure operated winch with self-contained hydraulics with oil supply system (separate pump and oil tank), independent of the tractor's hydraulic system. Sprocket wheel backward, includes drive chain and 13-pole contact.
NB! For sprocket wheel forward, see part number: IG300983 / IG300984
- IG300630 **IGLAND 9002 Maxo**
Electrohydraulic high pressure operated winch with self-contained hydraulics with oil supply system (separate pump and oil tank), independent of the tractor's hydraulic system. Sprocket wheel backward, includes drive chain and 13-pole contact.
NB! For sprocket wheel forward, see part number: IG300983 / IG300984

Extra equipment fitted for 2-DRUM WINCH-HEAD, ONLY FACTORY INSTALLED:

- IG300984 Sprocket wheel forward (6002 Pronto, includes chain-wheel and chain tension adjuster)
- IG300983 Sprocket wheel forward (5002 Pento, 9002 Maxo, includes chain-wheel and chain tension adjuster)
- IG300981 High pressure hydraulic with automatic brake for open centre
- IG300982 High pressure hydraulic with automatic brake for closed centre
- IG090656 7-pole socket

Extra equipment fitted for 2-DRUM WINCH-HEAD, FOR RETROFITTING:

- IG091178 Radio remote control IGLAND T-200, 6 functions including 2 functions for controlled load release
- IG090657 7-pole socket for radio
- IG091442 RPM control of tractor, on / off (only available together with IG091178 radio)
- IG022120 Pressure-gauge for control of oil-pressure (6002 Pronto, 9002 Maxo)
- IG022121 Pressure-gauge for control of oil-pressure (5002 Pento)
- IG090378 Oil distribution valve for tractor with oil capacity exceeding 55 l / min (5002 Pento)
- IG049450 Closed central (Old John Deere) for 5002 Pento
- IG049851 Closed central (Old John Deere) for 5002 Pento

3-POINT ATTACHEMENT LIGNA



For 2-drum winch heads

- IG316004 **IGLAND TL 3-point attachment**
Includes Ligna logging plate 2.05 m, single sheave propeller port, winch chair with top stay and protective wire grid

Options special fitted for TL 3-point attachment:

- IG070987 TRIANGLE, Special fitted quick coupler (Norwegian market)
- IG070988 Double sheave propeller port
- IG159337 Top grid height/width - 78/90 cm

TLP 3-POINT ATTACHMENT



For 2-drum winch heads

- IG316020 **IGLAND TLP 3-point attachment**
with TLP logging plate 220 cm width and 110 cm height, double sheave propeller port, winch chair, top stay and wire grid is included

Options special fitted for TLP 3-point attachment

- IG159337 Top grid height/width - 78/90 cm
- IG075010 Topstay, special for TLP

WINCH-STOOLS

Winch-Stools

IG070819 IGLAND winch-stool including TL 3-point attachment sprocket wheel, chain tension adjuster, chain guard, fastening screws / bolts, top stay and parking-support

IG070815 Only winch-stool

IG070985 IGLAND winch-stool with TRIANGLE quick coupler including sprocket plate, chain tensioner, chain screen, chain screws, parking leg

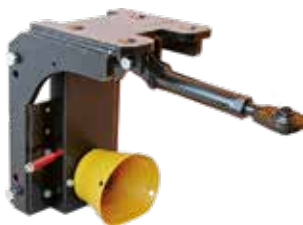
IG070970 Only winch-stool (Norwegian market)

Necessary extra equipment for old logging shield, for welding:

IG070984 Mounting lugs for TRIANGLE (Norwegian market)

IG070998 Mounting lugs for 3-point

IG070819



IGLAND winch-stool including TL 3-point attachment

IG070985



IGLAND winch-stool with TRIANGLE quick coupler

FOR FIX MOUNTING

For 2-drum winch heads



IG070673

Ligna logging plate with attachment ears for tractor drawbars, without port section and protective wire grid. Height / width: 83 / 205 cm



IG155040

Propeller port with single sheave



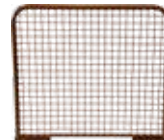
IG155042

Propeller port with double sheaves



IG021527

Protective wire grid. Height/width: 80/123 cm. For mounting on Ligna logging plate



IG159337

Top Grid. Height/width: 78/90 cm



IG070045

Top stay min. 25 cm long. For mounting between winch-head and logging plate



IG070272

Standard chain wheel 3/4", 19 teeth to mount on tractors PTO



IG070430

Chain tension adjuster complete



IG070644

Roll-port section, right and left, includes intermediate iron fitting

NB: THE PERSON WHO CONSTRUCTS NEW DETAILS ON THE MACHINE, IS RESPONSIBLE FOR THE EXTENSION AND MUST FOLLOW THE RULES OF THE MACHINE DIRECTIVE (CE)

MODEL	MAX THEORETICAL STEEL WIRE ROPE CAPACITY, ISO 6678 - REGULAR STEEL WIRE ROPE					COMPACT STEEL WIRE ROPE, 40% STRONGER		
	8 mm	9 mm	10 mm	11 mm	12 mm	10 mm	11 mm	12 mm
Single-drum winch:								
IGLAND 2501	62 m*	50 m	40 m	-	-	-	-	-
IGLAND 3501	90 m	71 m*	58 m*	48 m	-	-	-	-
IGLAND 42	114 m	90 m	73 m*	60 m*	48 m	-	-	-
IGLAND 42S	127 m	98 m	77 m*	62 m*	50 m	-	-	-
IGLAND 4501	114 m	90 m	73 m*	60 m*	48 m	-	-	-
IGLAND 52	157 m	124 m	100 m	83 m*	70 m	-	-	-
IGLAND 52S	157 m	124 m	100 m	83 m*	70 m	-	-	-
IGLAND 55A	210 m	162 m	128 m	103 m*	85 m*	120 m	103 m	85 m
IGLAND 60	210 m	162 m	128 m	103 m*	85 m*	128 m	103 m	85 m
IGLAND 65H	242 m	186 m	147 m	118 m	97 m*	147 m	118 m	97 m
IGLAND 85H	340 m	260 m	210 m	170 m	140 m	210 m	170 m	140 m
2-drum winch:								
IGLAND 5002 Pento TL	242 m	186 m	147 m	118 m*	97 m*	147 m	118 m	97 m
IGLAND 6002 Pronto TLP	242 m	186 m	147 m	118 m	97 m*	147 m	118 m	97 m
IGLAND 9002 Maxo TLP	323 m	249 m	198 m	160 m	131 m	192 m	160 m	131 m
*Recommended wire rope diameter when using wire rope construction 6x26 WS+IWRC 180 kp						Recommended wire rope diameter with compact wire rope		



FOREST

STEEL WIRE ROPE AND STEEL WIRE ROPE ACCESSORIES

Wire rope including end hook and loop

(6 x 26 WS+IWRC 180 kp - acc. ISO 4254-4)

ITEM. NR	DIA	LENGTH	WEIGHT	BREAKING LOAD
IG200117	8 mm	35 m	9,5 kg	4200 kg
IG200159	8 mm	40 m	11,0 kg	4200 kg
IG200160	8 mm	50 m	13,5 kg	4200 kg
IG200156	8 mm	60 m	16,0 kg	4200 kg
IG200157	8 mm	70 m	18,0 kg	4200 kg
IG200162	8 mm	80 m	21,5 kg	4200 kg
IG200161	8 mm	100 m	26,0 kg	4200 kg
IG200165	9 mm	35 m	11,0 kg	5300 kg
IG200167	9 mm	40 m	13,0 kg	5300 kg
IG200166	9 mm	50 m	15,5 kg	5300 kg
IG200163	9 mm	60 m	18,5 kg	5300 kg
IG200164	9 mm	70 m	21,5 kg	5300 kg
IG200168	9 mm	75 m	23,0 kg	5300 kg
IG200169	9 mm	80 m	24,5 kg	5300 kg
IG200170	10 mm	35 m	14,5 kg	6570 kg
IG200172	10 mm	40 m	16,0 kg	6570 kg
IG200171	10 mm	50 m	20,0 kg	6570 kg
IG200173	10 mm	60 m	24,0 kg	6570 kg
IG200140	10 mm	70 m	27,5 kg	6570 kg
IG200174	10 mm	75 m	29,5 kg	6570 kg
IG200141	10 mm	80 m	31,5 kg	6570 kg
IG200175	11 mm	35 m	17,5 kg	7760 kg
IG200176	11 mm	50 m	24,0 kg	7760 kg
IG200177	11 mm	60 m	28,5 kg	7760 kg
IG200178	11 mm	70 m	33,0 kg	7760 kg
IG200179	11 mm	80 m	38,0 kg	7760 kg
IG200180	12 mm	35 m	20,5 kg	9450 kg
IG200181	12 mm	50 m	30,0 kg	9450 kg
IG200184	12 mm	60 m	34,0 kg	9450 kg
IG200182	12 mm	70 m	39,6 kg	9450 kg
IG200183	12 mm	80 m	45,0 kg	9450 kg
IG200188	12 mm	100 m	56,0 kg	9450 kg

Steel wire rope / steel wire rope accessories

(Finished lengths on wire spool)

ITEM. NR	DIA x LENGTH	WEIGHT
IG200010	5 mm x 100 m	11 kg
IG200011	5 mm x 200 m	22 kg
IG200012	5 mm x 250 m	27 kg
IG200013	5 mm x 500 m	54 kg
IG200020	6 mm x 100 m	15 kg
IG200021	6 mm x 200 m	31 kg
IG200022	6 mm x 250 m	38 kg
IG200023	6 mm x 500 m	74 kg

Steel wire rope / steel wire rope accessories

Price pr. meter - special order

ITEM. NR	DIA x LENGTH	FRACTURE LOAD
IG200030	2 mm AISI 316, 7 x 19	212 kg
IG200031	3 mm AISI 316, 7 x 19	469 kg
IG200032	4 mm AISI 316, 7 x 19	834 kg
IG200033	5 mm AISI 316, 7 x 19	1300 kg
IG200034	6 mm AISI 316, 7 x 19	1800 kg
IG200035	8 mm AISI 316, 7 x 19	3330 kg

MINIMUMS DELIVERY: 100 m pr. dimension

Compact steel wire rope with endhook and loop

(6 x 25 FI+IWRC 200 kp) - MADE ON ORDER

ITEM.NR	DIA	LENGTH	BREAKING LOAD
IG199560	10 mm	35 m	9200 kg
IG199562	10 mm	50 m	9200 kg
IG199563	10 mm	60 m	9200 kg
IG199564	10 mm	70 m	9200 kg
IG199566	10 mm	80 m	9200 kg
IG199580	11 mm	35 m	11100 kg
IG199582	11 mm	50 m	11100 kg
IG199583	11 mm	60 m	11100 kg
IG199584	11 mm	70 m	11100 kg
IG199586	11 mm	80 m	11100 kg
IG199600	12 mm	35 m	13300 kg
IG199602	12 mm	50 m	13300 kg
IG199603	12 mm	50 m	13300 kg
IG199604	12 mm	70 m	13300 kg
IG199606	12 mm	80 m	13300 kg

Wire rope swaged without end hook and loop

(compact) (price pr. metre) - MADE ON ORDER

ITEM. NR	DIA x LENGTH	BREAKING LOAD
IG199510	10 mm	9200 kg
IG199511	11 mm	11100 kg
IG199512	12 mm	13300 kg

Compact (swaged) wire rope is 40% stronger than normal wire rope.

* Recommendes wire clamp and end hook for compact wire rope

ACCESSORIES

*Special wire clamp

IG022350	Fits 9-10 mm
IG022351	Fits 11 mm
IG022352	Fits 12-13 mm

Snap link set

IG200640	Complete, IG200641+IG200642
----------	-----------------------------

Notch ring

IG200641	4t, m/ spor D
----------	---------------

Split ring

IG200642	4t, Åpen C
----------	------------

*End hooks

IG200723	16t, Max 12 mm steel wire rope
----------	--------------------------------

Stop plate for slider

IG200647	For slider 6000 kg 8-11 mm steel wire rope
----------	---





Regular steel rope Special order per meter
(6 x 26 WS+IWRC 180 kp)

ART.NR	DIA
IG200388	Steel rope - 8 mm per meter - 6x26 IWRC WS 180 kp
IG200398	Steel rope - 9 mm per meter - 6x26 IWRC WS 180 kp
IG200408	Steel rope - 10 mm per meter - 6x26 IWRC WS 180 kp
IG200418	Steel rope - 11 mm per meter - 6x26 IWRC WS 180 kp
IG200428	Steel rope - 12 mm per meter - 6x26 IWRC WS 180 kp



Cross steel rope - for lengths over 100 meter

(6 x 26 WS+IWRC 180 kp)

ART.NR	DIA
IG200388-1	Steel rope - 8 mm per meter - 6x26 IWRC WS 180 kp, on cross
IG200398-1	Steel rope - 9 mm per meter - 6x26 IWRC WS 180 kp, on cross
IG200408-1	Steel rope - 10 mm per meter - 6x26 IWRC WS 180 kp, on cross
IG200418-1	Steel rope - 11 mm per meter - 6x26 IWRC WS 180 kp, on cross
IG200428-1	Steel rope - 12 mm per meter - 6x26 IWRC WS 180 kp, on cross



Cross steel rope with hook - for lengths over 100 meter

(6 x 26 WS+IWRC 180 kp)

ART.NR	DIA
IG200388-2	Steel rope - 8 mm per meter - 6x26 IWRC WS 180 kp, on cross with endhook
IG200398-2	Steel rope - 9 mm per meter - 6x26 IWRC WS 180 kp, on cross with endhook
IG200408-2	Steel rope - 10 mm per meter - 6x26 IWRC WS 180 kp, on cross with endhook
IG200418-2	Steel rope - 11 mm per meter - 6x26 IWRC WS 180 kp, on cross with endhook
IG200428-2	Steel rope - 12 mm per meter - 6x26 IWRC WS 180 kp, on cross with endhook



Cross steel rope with loop - for lengths over 100 meter

(6 x 26 WS+IWRC 180 kp)

ART.NR	DIA
IG200388-3	Steel rope - 8 mm per meter - 6x26 IWRC WS 180 kp, on cross with loop
IG200398-3	Steel rope - 9 mm per meter - 6x26 IWRC WS 180 kp, on cross with loop
IG200408-3	Steel rope - 10 mm per meter - 6x26 IWRC WS 180 kp, on cross with loop
IG200418-3	Steel rope - 11 mm per meter - 6x26 IWRC WS 180 kp, on cross with loop



Cross steel rope with hook and quick link - for lengths over 100 meter

(6 x 26 WS+IWRC 180 kp)

ART.NR	DIA
IG200388-4	Steel rope - 8 mm per meter - 6x26 IWRC WS 180 kp, on cross with hook and quicklink
IG200398-4	Steel rope - 9 mm per meter - 6x26 IWRC WS 180 kp, on cross with hook and quicklink
IG200408-4	Steel rope - 10 mm per meter - 6x26 IWRC WS 180 kp, on cross with hook and quicklink
IG200418-4	Steel rope - 11 mm per meter - 6x26 IWRC WS 180 kp, on cross with hook and quicklink



CHOKER CHAINS

Choker chains (Fits gliders no. IG201210)



IG201201/
IG201205

NB!
Not allowed for
lifting purposes!



ITEM. NR	TYPE	DIA	TYPE	LENGTH	WEIGHT	BREAKING LOAD
IG201201	Gold chain including hook and cross pin	6,6 mm	Round	1,5 m	1,6 kg	6000 kg
IG201205	Gold chain including hook and cross pin	6,6 mm	Round	2,0 m	2,0 kg	6000 kg
IG201503	Gold chain including hook and cross pin	6x7 mm	Square	1,5 m	1,9 kg	6700 kg
IG201504	Gold chain including hook and cross pin	6x7 mm	Square	2,0 m	2,4 kg	6700 kg
IG200691	Choker chain including joint loop and search needle	7x2 mm	Round	2,2 m	2,1 kg	5000 kg
IG31316230	Chokerchain, Canadian w/ ring and search needle	7x2 mm	Round	2,2 m	2,2 kg	5000 kg
IG201511	Gold chain including hook and search needle	6x7 mm	Square	2,0 m	2,4 kg	6700 kg
IG201507	Gold chain – price pr. meter	6x7 mm	Square			6700 kg
IG201600	Gold chain including hook and search needle	8,0 mm	Round	2,0 m	3,2 kg	8400 kg
IG201700	Gold chain including hook TRYGG HQ	8x8 mm	Square	2,0 m	3,5 kg	10000 kg
IG201214	Search needle					

READY FOR DELIVERY IN 10 PACKS

GLIDERS

Slider complete w/ keyhole



IG201210 Specially formed keyhole with stop cam.
Adapted 6.6 – 8.0 mm chain, 0.6 kg

Slider complete w/ ring and splint



IG200708 Specially formed with ring
for fiber straps

Slider complete w/ swivel and keyhole



IG200810 Specially formed with swivel. 160 mm
Fits 6.6 - 8.0 mm chain, 0.6 kg

Slider complete w/ bolt and nut



IG200705 For wire rope diameter 8 – 13 mm

HOOKS

Chainhook w/ splint



IG200693 Type IGLAND, bruddstyrke 8t,
85 mm, 0.3 kg

End hook



IG200723 For 8-12 mm ståltau, 16t, 0.6 kg

OPTIONAL EQUIPMENT

Special fitted quickcoupler



IG143210 For IGLAND 42, 42S
and 5001.
Fits TRIANGLE (Norwegian market)

Bracket for oil can



IG022150

Special fitted quickcoupler



IG143170 For IGLAND 42, 42S
and 5001.
Fits HMV (Norwegian market)

Resistance-free oil return

IG049450 Universal set for resistance-free oil return, suits
most tractor manufacturers

Bracket for chainsaw



IG022151



Universal set for resistance-free oil return

BLOCKS



Snatch block 2t



IG31326401 Maximum load 2 t, Weight 1.8 kg;
Sheave diameter 85 mm;
Sheave thickness 17 mm
includes shackle;
For 8-10 mm rope.

Snatch block 3t



IG31326411 Can open;
Maximum load 3 t, Weight 3.8 kg;
Sheave diameter 100 mm;
Sheave thickness 20 mm;
For 8-12 mm rope

Snatch block 3,5t



IG31326405 Open snatch block with keyhole for choker chain.
Maximum load 3.5 t, Weight 4.1 kg;
Sheave diameter 110 mm;
Sheave thickness 20 mm;
For 8-11 mm rope.

Snatch block 5t



IG31326410 Can open;
Maximum load 5 t, Weight 4.7 kg;
Sheave diameter 130 mm;
Sheave thickness 30 mm;
For 8-12 mm rope.

Snatch block, automatic release



IG31326409 Open snatch block with strap holes and keyholes for choker chain.
Maximum load 6 t, Weight 6.1 kg;
Sheave diameter 90 mm;
Sheave thickness 30 mm;
For 8-11 mm rope;
Recommended when thinning in rough terrain.

Snatch block 10t



IG231520 Can open;
Maximum load 10 t, Weight 8.3 kg;
Sheave diameter 120 mm;
Sheave thickness 41 mm;
For 8-12 mm rope.

EQUIPMENT FOR LIGHT HIGH LEAD

Snatch block 6t



IG231503 Specially made for high lead complete, including shackle.
Lets through knots and quick release coupling attached on wire rope.
For 8-12 mm rope;
Maximum load 6 t; Weight 5.9 kg.

Carriage



IG110960 For light high lead skyline including 2 sheaves;
Weight 14 kg;
For 8-12 mm rope.

PTO

Specially made PTO for winches



IG209100 Walterscheid W 2200
For IGLAND 2501-42s
IG209120 Walterscheid W 2300
For IGLAND 4501 - 65H
IG209140 Walterscheid W 2400
For IGLAND 85H, 5002-9002

TIMBER TONG

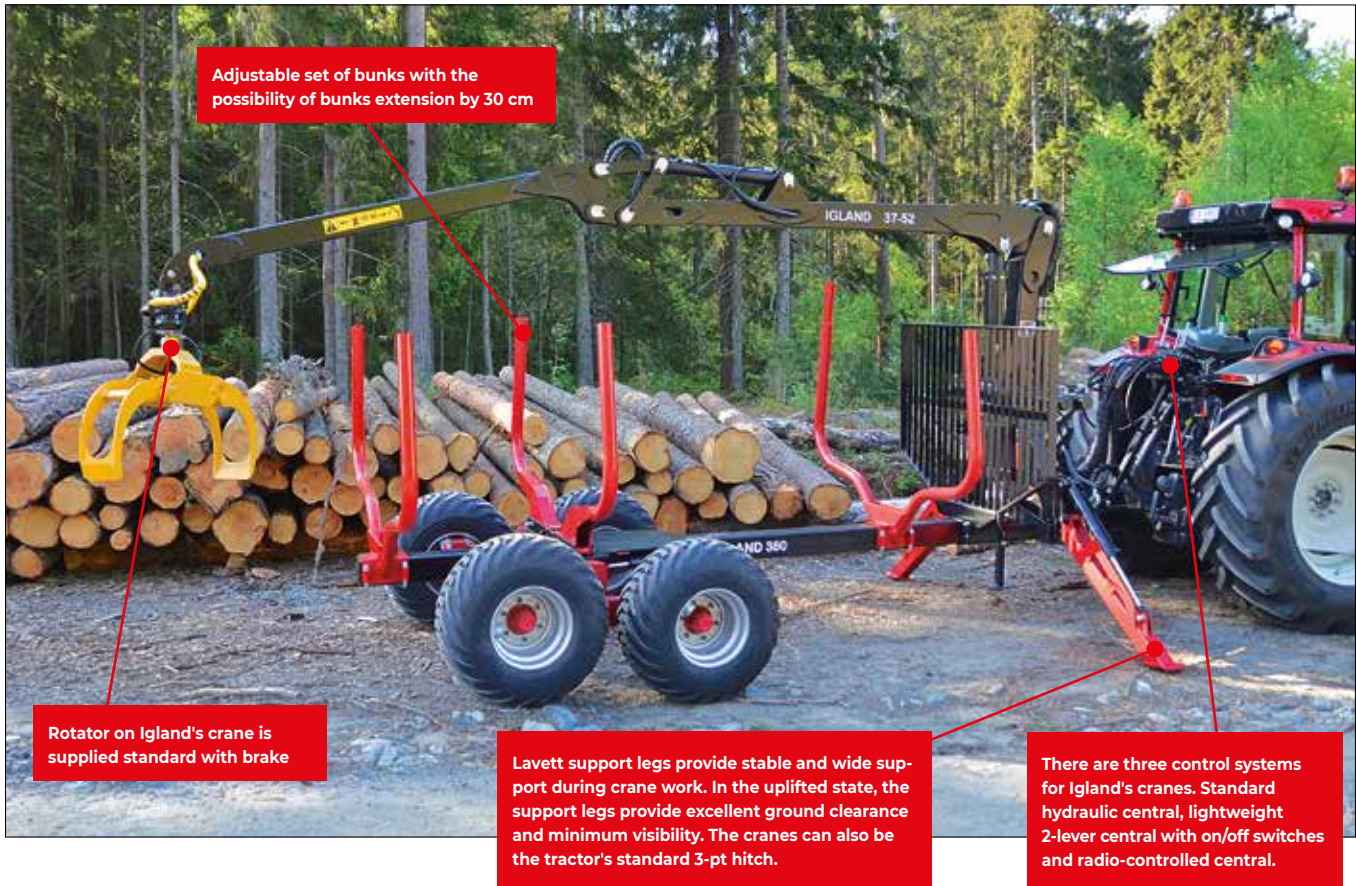
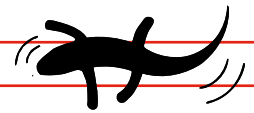
Timber tong



IG31346355 Max opening 34 cm;
Weight 4.1 kg;
Max load 250 kg.

OPTIONAL EQUIPMENT FOR WINCH

PART NR.	DESCRIPTION	2501	3501	4501	42	42S	52	52S	55A	60	65H	85H	5002	6002	9002
IG090656	7-pole socket										X	X	X	X	X
IG153212	Electro hydraulics, LHP, includes own oil supply system (Ratio exchange 1:6)								X						
IG095040	Electro hydraulics, LHP, includes own oil supply system (Ratio exchange 1:6)									X					
IG143170	HMV spesial fitted quick coupler				X	X	X	X							
IG164000	Hydraulically adjustable pulling point										X	X			
IG153501	Low gear (Ratio 1:10,3)									X					
IG090993	Logging plate, IGLAND TLP								X						
IG165109	Lavgir for ettermontering (1:10.36)												X		
IG143210	Triangle special fitted quick coupler				X	X	X	X							
IG070987	TRIANGLE, Special fitted quick coupler(Norwegian market)												X		
IG090378	Oil distribution valve for tractor with oil capacity exceeding 55 l/min (5002 Pento)		X	X	X	X	X	X					X		
IG153507	Pressure roller on drum for better spooling characteristics (Not together with IG153508)								X	X					
IG070988	Double sheave propeller port												X		
IG153508	Pullmatic with radio (IG091174) (driving of wire rope) - Only available together with IG095040 or IG095041									X					
IG153217	Pullmatic with radio (IG091174) (driving of wire rope) - Only available together with IG153212 or IG153213								X						
IG164008	Pullmatic with radio (IG091175) (driving of wire rope)										X				
IG184008	Pullmatic with radio (IG091175) (driving of wire rope)											X			
IG165103	Pullmatic with radio (IG091178) (driving of wire rope, only one drum)													X	X
IG165109	Pullmatic with swivel, factory mounted w/ radio													X	X
IG091171	Upgrade, 4 functions radio								X	X		X			
IG091166	Upgrade, 4 functions radio										X				
IG091175	Radio remote control IGLAND T-100, 2 functions (13-pole contact)										X	X			
IG091174	Radio remote control IGLAND T-100, 2 functions, no hydraulics included (Available with IG153212 or IG153213)								X	X					
IG091178	Radio remote control IGLAND T-200, 6 functions including 2 functions for controlled load release												X	X	X
IG095229	Radiobetjening 4501 IGLAND RC-200, 1 function, incl. hydr LH, complete (Anti counter pressure coupling required)			X											
IG095450	Radio remote control IGLAND 42, 1 function, incl. hydr LH, complete (Anti counter pressure coupling required)				X		X								
IG095440	Radio remote control IGLAND RC-200, 2 function, incl. hydr LH, complete for 42S (Anti counter pressure coupling required)		X												
IG095226	Radio Control, T100					X		X							
IG022119	Pressure-gauge for control of oil-pressure (Only available together with IG153212 or IG153213)								X	X	X			X	
IG022120	Pressure-gauge for control of oil-pressure				X	X	X	X				X	X		
IG164020	Trailer coupling				X	X	X	X	X	X	X	X			
IG143160	Top pulley for spoolingpoint				X	X									
IG075010	Topstay, special for TLP													X	X
IG980001	Mounting Iglan equipment 3K	X	X	X	X	X									
IG980002	Mounting Iglan equipment 4k								X	X	X	X			
IG980003	Mounting Iglan equipment 5k												X	X	X
IG091442	RPM control of traktor, on/off (only available together with IG095226)		X	X	X	X	X	X	X	X	X	X	X	X	X
IG153505	Extra protection screen 60									X					
IG164076	Extra protection screen 65										X				
IG184005	Extra protection screen 85											X			
IG153214	Extra protection screen 55A								X						
IG153065	Top block 52, 52S						X	X							



Adjustable set of bunks with the possibility of bunks extension by 30 cm

Rotator on Igland's crane is supplied standard with brake

Lavett support legs provide stable and wide support during crane work. In the uplifted state, the support legs provide excellent ground clearance and minimum visibility. The cranes can also be the tractor's standard 3-pt hitch.

There are three control systems for Igland's cranes. Standard hydraulic central, lightweight 2-lever central with on/off switches and radio-controlled central.

IGLAND offers timber trailers of various sizes: Igland 180, 280 Swingtrac, 380 Swingtrac, 480 Swingtrac and 580 Swingtrac. The timber trailers are presented with recommended packages, but it is also possible to customize your own preferences, see info page 45.

Align: The trailers are incredibly easy to manoeuvre and require a small turning radius. The swing system also makes reversing easy and easy to steer clear of obstacles. Ideal for turning and reversing in thinning areas or in confined spaces .

Stable: The trailer changes direction using the bogie. This swivel bogie system does not shift out the center of gravity of the trailer during maneuvering. This results in a more stable trailer compared to other trailers, which are at greater risk of overturning. The swing system also allows for a longer distance between the timber grid and the bogie center, this provides increased weight transfer to the tractor, which gives it significantly better accessibility.

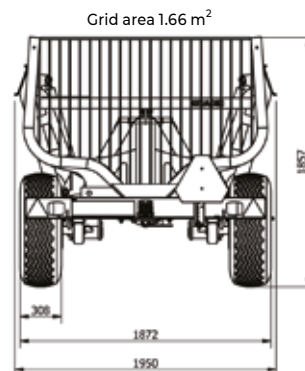
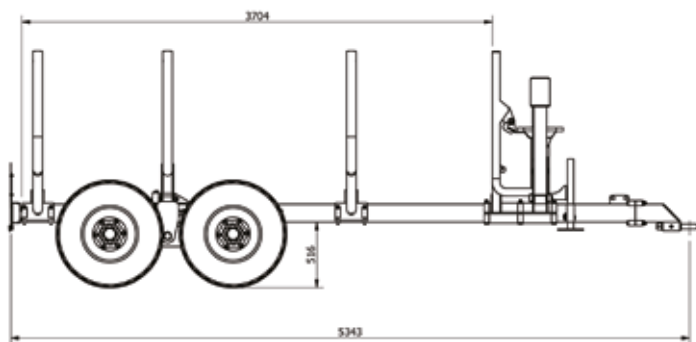
Type approved: 280, 380, 480 and 580 are approved for driving on public roads and can be registered with our dealers. All type-approved trailers have disc brakes for good braking power, reliability and easy maintenance. The brakes are placed on the rear wheel pair to provide better stability and safety when braking in sloped terrain. Light panels are included in all equipment packages for 280 and 380. For 480 and 580, lights and sign holders are integrated into the rear set of bunks.

Swingtrac: A uniquely composed product that makes the movement forward in difficult terrain easier, where logs and stone can be an obstacle. The Swingtrac system makes it possible to crawl forward in the terrain with an additional sliding effect up to 4 tons. By locking the rear wheels of the trailer with pal brake combined with the hydraulic steering on the bogie. The turning technique is used to push the wheels over, or around obstacles, maneuver in difficult parts of the terrain, or follow in the tractor's tracks.





IGLAND 180 is the perfect trailer for lighter work in the forest and is well suited for smaller timber transport along forest roads. It is an 8 ton trailer equipped with a 32-51 crane. The 180 is our smallest and most affordable model. The 180 model is supplied without brakes and therefore cannot be registered for driving on public roads.



TRAILER	Igland 180
Bogie steering	Yes
Swingtrac	No
Brakes	No
Max weight (in forest)	8 ton
Prepared for reg. sign	No
Trailer weight without crane	1210 kg
Grid area	1,66 m ²
Load length	3704 mm
Total length	5343 mm
Width	1872 mm





EQUIPMENT PACKAGE

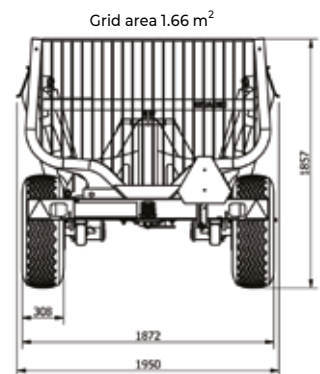
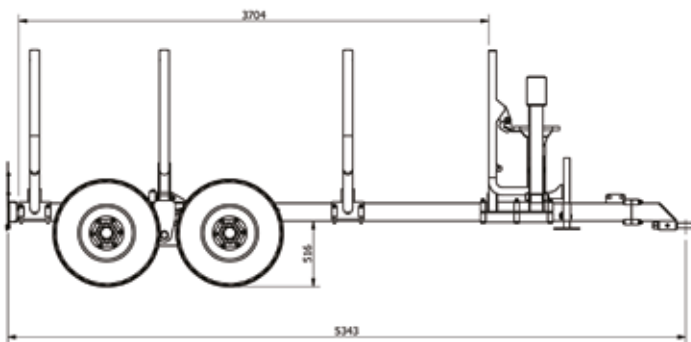
CRANE	32-51
Crane control	Standard hydr. 2-lever control
Timber Grip	0.16
Wheels	11,5/80-15,3
Bunks with posts	2
Telescopic control holder	Yes
Complete Igländ 180, No.	IG408102

OPTION

PART NO.	DESCRIPTION
IG408030	Extra set of bunks, adjustable position
IG400071	Post extension, 30 cm, 1 pcs
602111	TRYGG SMT 8 mm wheel chain, 2 pcs, for 11,5/80 15,3



The IGLAND 280 Swingtrac is a flexible and lightweight trailer that is well suited for thinning and transporting wood and timber. To further reduce ground pressure, options with 400 wheels are recommended. It is an 8 ton trailer that can be supplied with 37-52 or 37-64s crane. The 280 model comes with brakes and can therefore be registered for driving on public roads.



TRAILER	Igland 280 Swingtrac
Bogie steering	Yes
Swingtrac	Yes
Brakes	Yes
Max weight (in forest)	8 ton
Prepared for reg. sign	Yes
Max weight on public roads	6,5 tons
Trailer weight without crane	1280 kg
Grid area	1,66 m ²
Load length	3704 mm
Total length	5343 mm
Width	1872 mm





ALTERNATIVE PACKAGES	IGLAND 280 SWINGTRAC			
CRANE 64s	37-52		37-64s	
Crane control	Std. 2-lever hydr. control	Light 2-lever control,	Std. 2-lever hydr. control	Light 2-lever control,
Timber Grip	0.16		0.16	
Std. wheels	11,5/80-15,3		11,5/80-15,3/10	
Set of bunks with posts	3		3	
Disc brake, 2 wheels	Yes		Yes	
Swingtrac	Yes		Yes	
Light panel prepared for reg. signs	Yes		Yes	
Telescopic bar for hydr. control	Yes	Optional equipment	Yes	Optional equipment
Alternative part No.	IG408003-1	IG408003-2	IG408004-1	IG408004-2

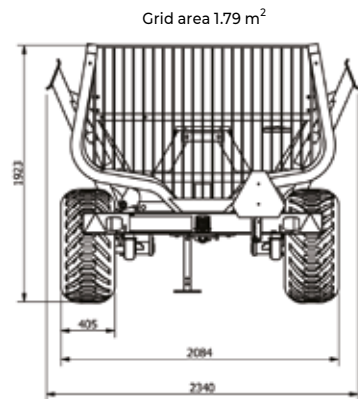
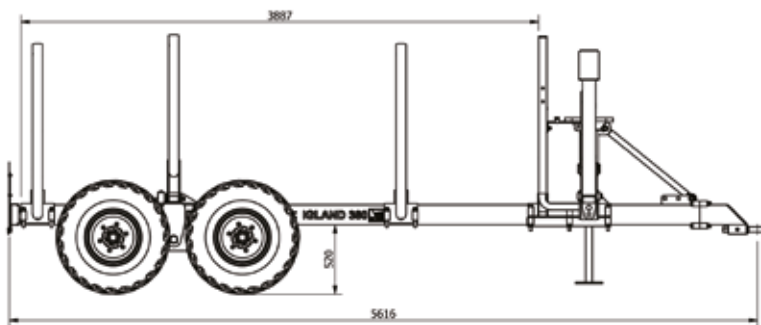
OPTION

PART NO.	DESCRIPTION
IG400051	Igland 1601 winch, radio remote control
IG402060	Hydr. Aggregate unit, incl. pump and oil tank, (540 rpm, 55 L- 190 Bar)
IG409009	Crane mounted floodlight
IG420065	Telescopic bar for hydr. control
IG408030	Compl. set of bunks with post, adjustable
IG400071	Post extension, 30 cm, 1 pcs
602111	TRYGG SMT 8 mm wheel chain, 1 pair, (dim. 11,5/80-15,3)



The IGLAND 380 Swingtrac is our most versatile trailer. It is well suited for tasks from thinning, in logging fields and for transporting larger quantities of timber.

The 380 is both large, and at the same time small enough, to be the perfect trailer for most tasks in the forest. It is a 9 ton trailer that can be supplied with 37-52 or 37-64s crane. Igländ 380 comes with brakes and can therefore be registered for driving on public roads.



TRAILER	Igländ 380 Swingtrac
Bogie steering	Yes
Swingtrac	Yes
Disk brakes	Yes
Max weight	9 ton
Prepared for reg. sign	Yes
Max weight on public roads	7,9 tons
Trailer weight without crane	1490 kg
Grid area	1,79 m ²
Load length	3887 mm
Total length	5616 mm
Width	2084 mm





ALTERNATIVE PACKAGES	IGLAND 380 SWINGTRAC		
CRANE	37-64s		
Crane control	Standard hydraulic central	Light 2-lever control	Radio remote control
Timber Grip	0.19		
Std. wheels	400/60-15,5		
Set of bunks with posts	3		
Disc brake, 2 wheels	Yes		
Swingtrac	Yes		
Rear Lights and space for sign	Yes		
Telescopic bar for hydr. control	Yes	Optional equipment	No
Alternative part No.	IG407009-2	IG407009-3	IG407009-4

OPTION

PART NO.	DESCRIPTION
IG400051	Igland 1601 winch, radio remote control
IG402060	Hydr. Aggregate unit, incl. pump and oil tank, (540 rpm, 55 L- 190 Bar)
IG409009	Crane mounted floodlight
IG420065	Telescopic bar for hydr. control
IG406053	Extra set of bunks, complete, adjustable
IG400071	Post extension, 30 cm, 1 pcs
602001	TRYGG SMT 8 mm wheel chain, 1 pair, for dim. 400/60-15,5

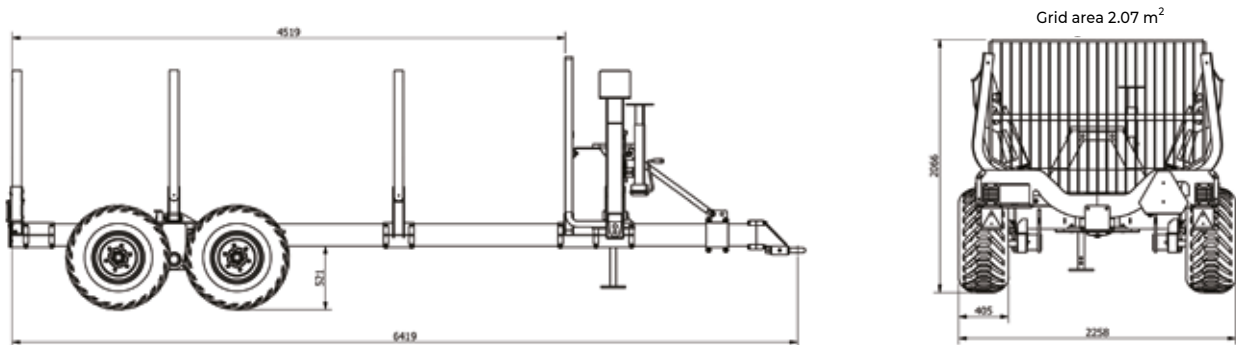


The Igland 480 Swingtrac has a large loading capacity and is suitable for heavy work in the forest. The trailer is ideal for demanding work on logging fields and driving after the harvesting machine. It also has the capacity for transporting larger amounts of timber, both on forest roads and public roads.

The trailer comes with integrated lights in the rear set of bunks. The trailer can be registered for driving on public roads.

News! Use multiple crane functions simultaneously at full power! The 480 trailer is now offered with a new advanced central together with the radio control.

The model has been upgraded with a valve block with oil pressure compensation for the best possible crane sensitivity.



TRAILER	Igland 480 Swingtrac
Bogie steering	Yes
Swingtrac	Yes
Brakes	Yes
Max weight (in forest)	11 ton
Prepared for reg. sign	Yes
Max weight on public roads	10 ton
Trailer weight without crane	2080 kg
Grid area	2,07 m ²
Load length	4519 mm
Total length	6419 mm
Width	2258 mm





ALTERNATIVE PACKAGES		IGLAND 480 SWINGTRAC			
CRANE		49-68s			
Crane control	Light 2-lever control	Radio remote control			
Timber Grip	0.19				
Std. wheels	400/60-15,5				
Set of bunks with posts	3				
Disc brake, 2 wheels	Yes				
Swingtrac	Yes				
Hydr. Hub drive, 2 wheels. Black Bruin, without control system	No	No	Yes	Yes	
Control system for hydr. hub drive	No	No	No	Yes	
Rear Lights and space for sign	Yes				
Alternative package No.	IG402022-2	IG402022-3	IG402022-4	IG402022-5	

OPTION

PART NO.	DESCRIPTION
IG400051	Igland 1601 winch, radio remote control
IG402060	Hydr. aggregate unit, incl. pump and oil tank, (540 rpm, 55 L-190 Bar)
IG400057	"500" Wheels with reinforced rim, dim. 19/45-17 Not for hub drive
IG400063	"500" Wheels with reinforced rim, dim. 19/45-17 Only for hub drive
IG409009	Crane mounted floodlight
IG400067	Bracing rod, between protection grid and front post. 2 pcs.
IG420065	Telescopic bar for lever-control
IG402051	Complete set of bunks with posts, adjustable.
IG400071	Post extension, 30 cm, 1 pcs.
602001	TRYGG SMT 8 mm wheel chain, 1 pair, for dim. 400/60-15,5
602002	TRYGG SMT 8 mm wheel chain, 1 pair, for 19/45-17, ("500")

NEWS!



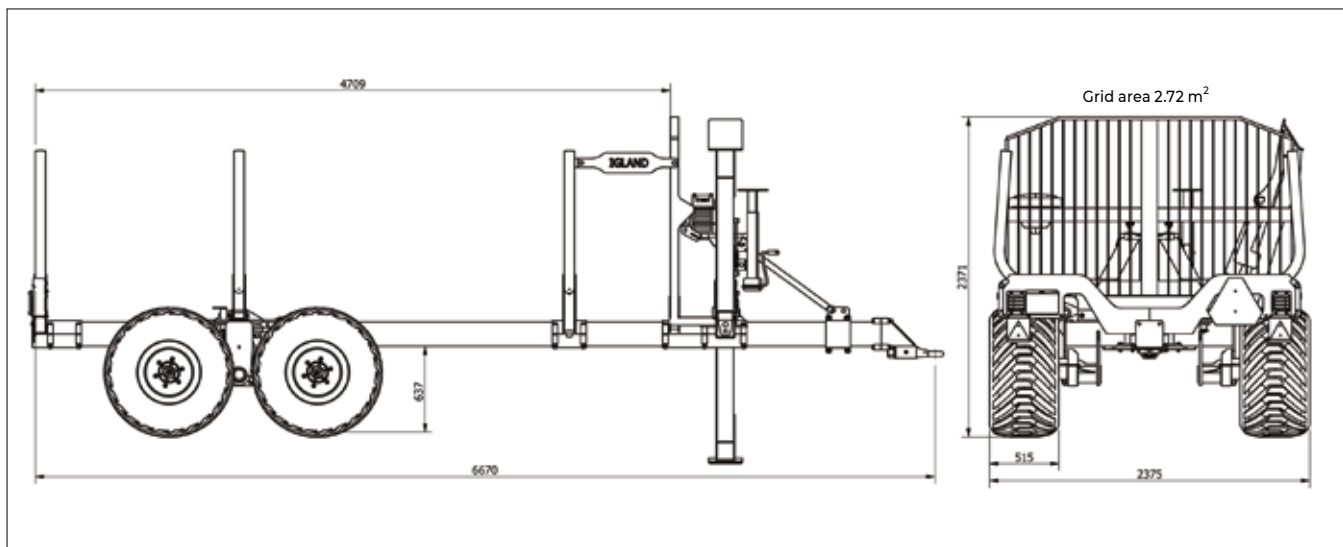
Picture shows IGLAND 580 Swingtrac with 55-75s crane

The Igland 580 is designed for the pro segment. Here you get a powerful timber trailer with large loading capacity and at the same time flexibility. The trailer is perfect for heavy work in the forest. The Igland 580 comes with integrated lights in the rear set of bunks. The trailer can be approved for transport on public road.

News! Use multiple crane functions simultaneously at full power! The 580 trailer is now offered with a new advanced hydr. central with radio remote control. This model has been upgraded with a new valve block with oil pressure compensation for the best possible crane sensitivity.

TRAILER	Igland 580 Swingtrac
Bogie steering	Yes
Swingtrac	Yes
Disc brake 2 tires	Yes
Max weight	13 ton
Prepared for reg. sign	Yes
Max weight on public roads	12 ton
Trailer weight without crane	2500 kg
Grid area	2,72 m ²
Load length	4709 mm
Total length	6670 mm
Width	2375 mm





ALTERNATIVE PACKAGES	IGLAND 580 SWINGTRAC	
CRANE	55-75s	
Crane control	Radio remote control	
Timber grip	0.22	
Standard wheels	500/50-17	
Set of bunks with posts	3	
Disc brake, 2 wheels	Yes	
Swingtrac	Yes	
Bracing rod, between protection grid and front posts. 2 pcs	Yes	
Hydr. Hub drive, 2 wheels. Black Bruin, without control system	Yes	Yes
Control system for hydr. hub drive. Factory fitted.	No	Yes
Rear Lights and space for sign	Yes	
Alternative package No.	IG409003-1	IG409003-2

OPTION

PART NO.	DESCRIPTION
IG400051	Igland 1601 winch, radio remote control
IG402060	Hydr. aggregate unit, incl. pump and oil tank, (540 rpm, 55L-190 Bar)
IG402050	Disc brake for 2 extra wheels. (all 4)
IG409009	Crane mounted floodlight
IG409008	Complete set of bunks with posts, adjustable.
IG400071	Post extension, 30 cm, 1 pcs.
602005	TRYGG SMT 8 mm wheel chain, 1 pair, for dim. 500/50-17

CRANES AND ACCESSORIES



CRANE	32-51	37-52	37-64s	49-68s	55-75s
Max reach	5,1 m	5,2 m	6,4 m	6,8 m	7,5 m
Max turn torque	5,8 kNm	10,1 kNm	10,1 kNm	13,9 kNm	13,9 kNm
Max lifting moment (Gross)	29 kNm	36 kNm	33 kNm	38 kNm	57 kNm
Lifting capacity at 4m (without timber grip and rotator)	570 kg	830 kg	800 kg	730 kg	1050 kg
Lifting capacity at max outreach (without timber grip and rotator)	530 kg	650 kg	460 kg	460 kg	550 kg
Max oil pressure	180 bar	180 bar	180 bar	180 bar	180 bar
Telescopic outreach	Nei	Nei	Ja	Ja	Ja
Size, timber grip	0.16	0.19	0.19	0.19	0.22
Max timber grip opening	101 cm	118 cm	118 cm	118 cm	125 cm
Weight (with timber grip and rotator)	580 kg	720 kg	780 kg	850 kg	1065 kg

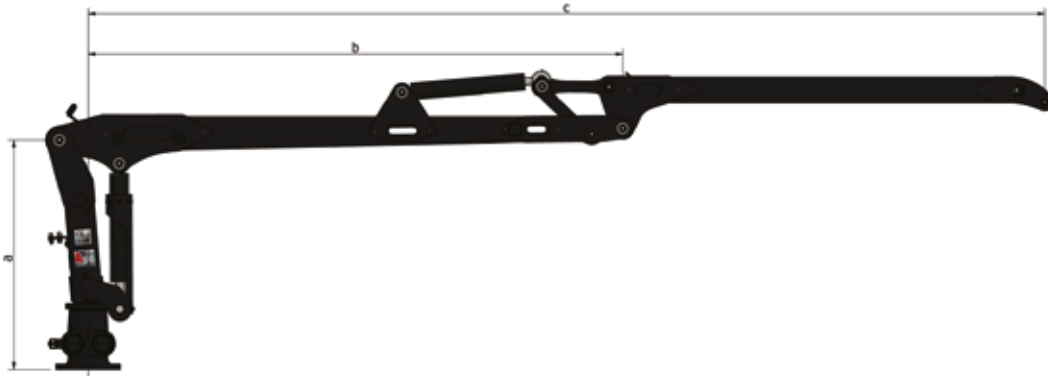


Figure 1. 32-51 and 37-52

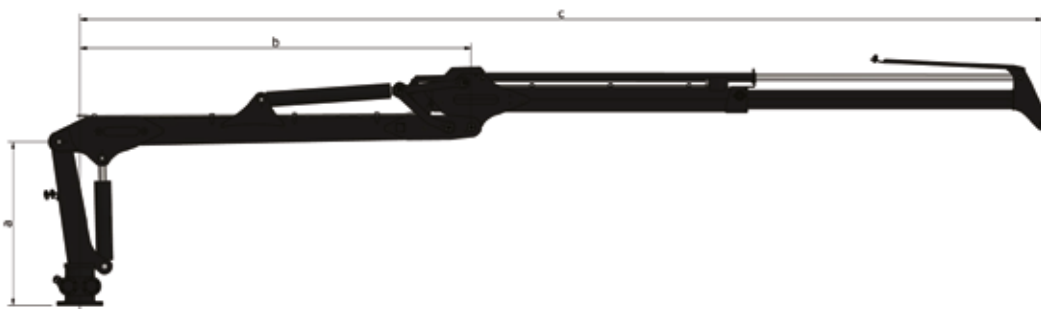


Figure 2. 55-75s, 49-68s and 37-64s

	32-51	37-52	37-64s	49-68s	55-75s
A (cm)	120	125	125	130	125
B (cm)	272	290	290	322	300
C (cm)	515	250	642	680	736

GRAPPLES AND ROTATOR

GRAPPLES	Max opening	Weight	Rotator	Fastening
0.16	100 cm	60 kg	RR-1	Bolt ø50 mm
0.19	118 cm		RR-1	Bolt ø50 mm
0.22	125 cm	104 kg	RR-2	Flange



CRANE CONTROL

IGLAND offers 3 different crane controls; Standard 2-levers hydraulic central, lightweight 2-lever central with on/off and radio remote control.

Standard hydraulic central provides precise, sensitive and good control. Lightweight 2-lever central with on/off is lighter than standard hydraulic central and very easy to connect. Outreach, support legs and grapple are controlled with on/off buttons. Radio remote control gives complete freedom to operate the crane from anywhere.



OPTION

IGLAND 1601 WINCH

Radio-controlled hydraulic winch fits all cranes and simplifies many tasks in the forest. It has a pulling capacity of 1.6 tons. The winch is mounted on the crane for winching timber that is out of the reach of the crane.



HYDRAULIC UNIT (HPU)

Hydraulic unit with oil tank and own pump (HPU) provides a very easy connection to the tractor. This is a great advantage when the same trailer will be used for different tractors. The system integrates behind the crane mount, and the pump is attached directly to the tractor's PTO. The pump provides 190 bar and 55 l/min at 540 rpm.



TELESCOPIC BAR FOR CENTRAL

For help with fixed mounting and height adjustment of central. Can be tilted back and forth and adjusted in height. Simplifies the assembly and disassembly of central from trailer to tractor.

Especially recommended when using standard 2 lever hydraulic central.



HUB DRIVE, Black Bruin.

The Igland 480 and 580 can be supplied with hub drive on the front wheels.

Drive	Type motor	Number of motors	Max Torque (total)
Hub drive, Black Bruin	B240 0080 Radial piston	2	10 kN

Operation is controlled directly from the tractor's hydraulic outlet and requires flow position. This is simple and functional. This solution comes with distribution valve that ensures power distribution in all conditions.

NB! Requires the tractor to be equipped with 3 double outlets: 1 pair to crane, 1 pair to turn and 1 pair for operation as well as free oil- return.

OPTION, CONTROL OF HUB DRIVE

Control system for hub drive simplifies connection to tractor and ensures priority to both steering and drive.

The solution consists of two main parts; a separate valve block fixed to the trailer, and a control box for the driver. The control box has switches for drive and steering. The valve block has a built-in priority valve that ensures full power for steering and drive at the same time.

This solution is built together with the corresponding crane central and requires only one double-acting outlet as well as free oil-return.

POST EXTENTION, 30 cm

Extend the length of the post sets by 30 cm. This allows you to load larger loads on the trailers. Can be retrofitted on all post sets and easily fastened with bolt.



TRYGG WHEEL CHAIN, 8 mm SMT

TRYGG chain, Norwegian-made and adapted to demanding conditions. The SMT 8 mm is a strong chain with oversized studs designed for forestry,



CRANE LIGHT

Crane lamps, fit all models. This is a powerful light (floodlight) mounted on the crane so that you can always illuminate the grapple and the surrounding area.



TAILORING OF TIMBER TRAILERS WITH CRANE

You may compose your own equipment package for most of our trailers. Please note that your composition may affect the delivery time.

The table below shows crane-trailer compatibility with the corresponding item numbers.

These trailers include standard central hydraulic crane control and 2 bolster sets. The 480 trailer comes with rear lights included in the rear bolster set. Please see next page for selection of optional extras compatible to your trailer.

TRAILER	Item number	CRANE			
		32-51	37-52	37-64s	49-68s
Igland 180 (w. sving in boggi)	IG408102				
Igland 280 (w. sving in boggi)	IG408002	IG408003	IG408004		
Igland 380 (w. sving in boggi)	IG407004	IG407008	IG407009		
Igland 480 Swingtrac				IG402025	IG402022



OPTIONS - ONLY FACTORY INSTALLED



ITEM NR.	DESCRIPTION	180	280	380	480	580
IG406050	Disc brake 2 wheels	•	•	•		
IG406070	Swingtrac-system (only with IG406050)	•	•	•		
IG430603	Light 2 Lever control, el. on/off on/off		•	•	•	•
IG426110	Radio or propotional control		•	•	•	•
IG402060	Hydr. aggregate unit, incl. pump and oil tank, (540 rpm, 55L-190 Bar)	•	•	•	•	•
IG400051	1601 hydr. winch with radio remote control	•	•	•	•	•
IG409009	Crane mounted floodlight		•	•	•	•
IG400091	HYDRAULIC hub drive - 2 wheel - Black Bruin, Factory installed without control system				•	•
IG400092	Control system for hydraulic hub drive				•	•
IG402050	Disc brakes for 2 extra wheels (All 4)					•
IG029544	Wheel 400/60-15,5		•			
IG400063	Reinforced "500" wheels, dimensions 19 / 45 - 17 with hydraulic hub trac				•	•
IG400057	Reinforced "500" wheels, dimensions 19 / 45 - 17 without hydraulic hub track				•	•

OPTIONS - UPGRADE

ITEM NR.	DESCRIPTION	180	280	380	480	580
IG420065	Telescope stay for operation central	•	•	•	•	•
IG408070	Light panel, 5 meter cable		•	•		
IG408030	Extra set of bunks with post, complete, adjustable	•	•			
IG406053	Extra set of bunks with post, complete, adjustable			•		
IG402051	Extra set of bunks with post, complete, adjustable				•	
IG409008	Extra set of bunks with post, complete, adjustable					•
IG400071	Extra set of bunks, 30 cm, pr pcs	•	•	•	•	•
IG400067	Front screen support, 2 pcs				•	
IG300005	1601 hydraulic winch including radio remote control	•	•	•	•	•
602111	TRYGG SMT 8 mm chain, 2 pcs, for 11,5/80-15,3	•	•			
602002	TRYGG SMT 8 mm chain, 2 pcs, for 19/45-17, "500"		•	•	•	
602001	TRYGG SMT 8 mm chain, 2 pcs, for 400/60-15,5			•	•	
602005	TRYGG SMT 8 mm chain, 2 stk, for 500/50-17					•



IGLAND FIRE WOOD

BESTSELLER

Hydraulic driven
wood splitter



FIRE WOOD

STANDARD EQUIPMENT

Powerful and easy to use wood splitter. This is a fast and efficient wood splitter with variable speed control. The splitting process is controlled by two levers located on the construction. This is the splitter for those who want to work in a professional and safe manner. The log lies in a stable V-shaped cradle and can be divided into optional 2 or 4 parts. Splitting can be varied from 20 cm to 65 cm. The machine can be moved easily by its 3-point attachment or by using a pallet fork.

TECH. DATA:	WS 65
Force:	Max 6,5 tons
Splitting length:	20 - 65 cm
Splitting knife:	2/4 piece
Splitting knife regulation:	Mechanical
Tractor mount:	3 point + pocket for pallet fork
Weight:	165 kg



PART NR. DESCRIPTION

IG502010 IGLAND WS 65

Options

- IG502020 6 piece splitting knife
- IG143210 Triangle hitch (Norwegian market)
- IG143170 HMV Hitch (Norwegian market)
- IG502031 John Deere flow nipple for close centre hydraulics
- IG502015 Log table
- IG500082 Log sack stand for euro pallet
- IG500083 Doucke sack trolley for two 80/60L small bag
- IG502018 Storage box



STANDARD EQUIPMENT

Powerful and easy to use wood splitter. This is a fast and efficient wood splitter with variable speed control. The splitting process is controlled by two levers located on the construction. This is the splitter for those who want to work in a professional and safe manner. The log lies in a stable V-shaped cradle and can be divided into optional 2 or 4 parts. Splitting can be varied from 20 cm to 65 cm. The machine can be moved easily by its 3-point attachment or by using a pallet fork.



TECH. DATA:	WS 90
Force:	Max 9 tons
Splitting length:	20 - 65 cm
Splitting knife:	2/4 piece
Splitting knife regulation:	Mechanical
Tractor mount:	3 point + pocket for pallet fork
Weight:	205 kg

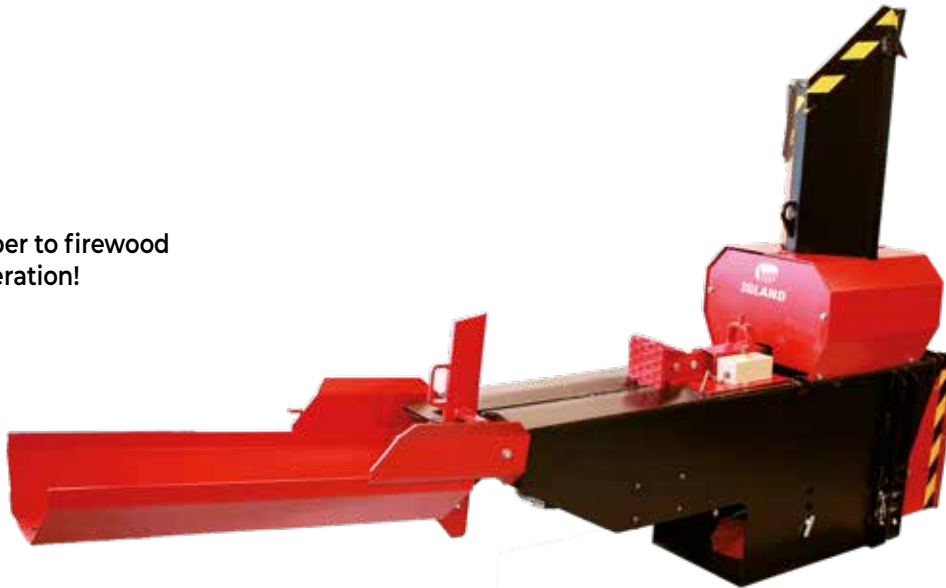
PART NR.	DESCRIPTION
IG502210	IGLAND WS 90

Options	
IG502220	6 piece splitting knife
IG143210	Triangle hitch (norwegian market)
IG143170	HMV Hitch (norwegian market)
IG502031	John Deere flow nipple for close centre hydraulics
IG502015	Log table
IG500082	Log sack stand for euro pallet
IG500083	Doucke sack trolley for two 80/60L small bag
IG502018	Storage box



IGLAND WP 3000 WOODPROCESSOR

**From timber to firewood
in one operation!**



STANDARD EQUIPMENT

The machine feeds in timber, cuts and split in a single operation. Adapted excavator or can be used on a front loader. For 12 V only, or 24 V as an option. WP 3000 includes also a manual log splitter for extra-large timber. The basic machine is without fixing brackets. Universal mounting plate for excavator is available. When closed center hydraulics, contact Igland AS. Outstanding feeding and uploading capacity, together with an ample oil amount, gives the most effective wood production in the market.

- WP 3000 feeds in, cuts and split in a single operation.
- Includes a manual log splitter for extra-large timber.
- The machine feeds, cuts and splits in one single operations
- Able to process old wood materials with nails and cement.
- Cutting means that the wood cracks up. Make it dry faster and burn better.
- The WP 3000 was awarded a silver medal at "Agrotechnica", an exhibition for agricultural machines that is held in Hannover, Germany. The prize was awarded for technical innovations within the forestry and agricultural sector.

TECH. DATA:	WP 3000
Force:	Max 15,7 tons
Splitting length:	30-50 cm
Splitting knife:	2/4 piece
Splitting knife regulation:	Mechanical
Mounting:	Excavator / Tractor
Min/Max diameter:	5-28 cm
Oil:	Max 85 l/min, 220 bar
Weight:	575 kg

PART NR.	DESCRIPTION
IG500012	IGLAND WP 3000 Wood processor (Open centre hydraulics)
IG500012-1	IGLAND WP 3000 Wood processor w/excavator hitch

Options	
IG500065	Universal hitch for excavator (Not including attachment ears)
IG500050	SMS hitch
IG500053	Old alo, type 3 hitch
IG500062	Euro hitch
IG500056	HMS and SMS hitch (norwegian market)
IG500059	Triangle hitch (norwegian market)
IG500068	Electrical transformer, 24 Volts to 12 Volts
IG500082	Log sack stand for euro pallet
IG500070	Wood chip seperator for log sack stand of trailer frame





ACCESSORIES

PART NR.	DESCRIPTION
IG500082	Rack for logs
IG500070	Wood splint seperator
IG500083	Doucke sack trolley for two 80/60L small bag

Universal hydraulic unit (fits WP 3000)	
IG500040	Hydraulic unit 85L/ 220 bar, for tractor with low oil capacity. Including 3-point, 80L oil and tubes.
IG209100	PTO shaft (Walterscheid 2200), for IG500040
IG143210	Triangle hitch (Norwegian market)
IG158508	HMV hitch (Norwegian market)



IG500040



IG500082



IG500083



IG500070



IG LAND ROAD

IGLAND RB 2245 Rear blade



Picture shows RB 2245 with wheels, hydraulic regulation of the arm and a 3-point hitch (Option)

IGLAND RB 2245 REAR BLADE

Simple and robust 2.2 metre wide rear blade. The blade can be rotated 360 degrees and has a replaceable cutting edge. 3-point attachment is standard. The rear blade is basically mechanical. RB 2245 can be fitted with hydraulic adjustment of blade and arm if desired. Ideal for small tractors to maintenance of farm roads or for snow clearing. Wide selection of options.

TECH. DATA:	RB 2245
Tractor size:	35-65 Hp
Blade height:	0,45 meter
Width:	2,2 meter
Weight:	200 kg

PART NR. DESCRIPTION

IG621002	Igland RB 2245
IG620020	3-point hitch
IG620022	Triangle hitch (Norwegian market)
IG620024	HMV hitch (Norwegian market)
IG620010	Adjustable support wheels, 4.00 x 8, 2 wheels

Options - ONLY FACTORY INSTALLED

IG620011	Hydraulic regulation of arm
IG620012	Hydraulic regulation of blade
IG621013	Tagged wear steel
IG620016	Shock valve including accumulator, only for IG620011 and IG620012

Options - UPGRADE

IG621010	Adjustable support wheels, 5.00 x 8, 2 wheels
IG621017	Side-wing for snow removal
IG620070	Extra exploit bolt including nut and sliver. Only for hydraulic regulation of blade
IG621080	Hydraulic regulation of blade
IG620090	Hydraulic regulation of arm
IG621033	Tagged wear steel
IG621032	Straight wear steel



NB: PARTS MAY BE UNMOUNTED DUE TO SHIPPING

IGLAND RB 2555 Rear blade

BESTSELLER



Picture shows RB 2555 with wheels, hydraulic regulation of blade and a 3-point hitch (Option)

IGLAND RB 2555 REAR BLADE

Simple and robust 2.5 metre wide rear blade. The blade can be rotated 360 degrees and has a replaceable cutting edge. 3-point attachment is standard. The rear blade is basically mechanical. RB 2555 can be fitted with hydraulic adjustment of blade and arm if desired. Ideal for small tractors to maintenance of farm roads or for snow clearing. Wide selection of options.

TECH. DATA:	RB 2555
Tractor size:	55-85 Hp
Blade height:	0,55 meter
Width:	2,5 meter
Weight:	270 kg

PART NR. DESCRIPTION

IG620002	Igland RB 2555
IG620020	3-point hitch
IG620022	Triangle hitch (Norwegian market)
IG620024	HMV hitch (Norwegian market)
IG620012	Hydraulic regulation of blade
IG621010	Adjustable support wheels, 5,00 x 8, 2 wheels

Options - ONLY FACTORY INNSTALLED

IG620011	Hydraulic regulation of arm
IG620012	Hydraulic regulation of blade
IG620013	Tagged wear steel
IG620016	Shock valve including accumulator, only for IG620011 and IG620012

Options - UPGRADE

IG622010	Adjustable support wheels, 6,00 x 9, 2 wheels
IG622008	Adjustable support wheels, 6,00 x 9, 2 wheels
IG620017	Side-wing for snow removal
IG620071	Extra exploit bolt including nut and sliver. Only for hydraulic regulation of blade
IG620080	Hydraulic regulation of blade (from SN 1216 →)
IG620090	Hydraulic regulation of arm
IG620033	Tagged wear steel
IG620032	Straight wear steel
IG620035	Perforated wear steel



NB: PARTS MAY BE UNMOUNTED DUE TO SHIPPING

IGLAND RB 2870 Rear blade



Picture shows RB 2870 with wheels, hydraulic regulation of arm, blade, shock valve, and 3-point hitch (Option)

IGLAND RB 2870 REAR BLADE

Simple and robust 2.8 metre wide rear blade. Replaceable cutting edge. 3-point attachment is standard. The rear blade is basically mechanical. RB 2870 can be fitted with hydraulic adjustment of blade and arm if desired. Ideal for tractors to maintenance of farm roads or for snow clearing. Wide selection of options.

TECH. DATA:	RB 2870
Tractor size:	80-125 Hp
Blade height:	0,70 meter
Width:	2,8 meter
Weight:	300 kg

PART NR. DESCRIPTION

IG622002	Igland RB 2870
IG620020	3-point hitch
IG620022	Triangle hitch (Norwegian market)
IG620024	HMV hitch (Norwegian market)
IG620011	Hydraulic regulation of arm
IG622012	Hydraulic regulation of blade
IG622016	Shock valve including accumulator, only for IG620011 and IG620012
IG622010	Adjustable support wheels, 6,00 x 9, 2 wheels

Options - ONLY FACTORY INSTALLED

IG622013	Tagged wear steel
----------	-------------------

Options - UPGRADE

IG622008	Adjustable support wheels compact, 6,00 x 9, 2 wheels
IG622017	Side-wing for snow removal
IG620070	Extra exploit bolt including nut and sliver. Only for hydraulic regulation of blade
IG622080	Hydraulic regulation of blade (from SN 370 →)
IG620090	Hydraulic regulation of arm
IG622033	Tagged wear steel
IG622032	Straight wear steel
IG622035	Perforated wear steel



NB: PARTS MAY BE UNMOUNTED DUE TO SHIPPING

IGLAND RB 30100 Rear blade



Picture shows RB 30100 with wheels, hydraulic regulation of blade and 3-point hitch (Option)

IGLAND RB 30100 REAR BLADE

A 3 metre wide professional blade from IGLAND. Extra solid execution with a high capacity for larger tractors. The long arm leads the rear blade further out to the side, and makes it possible to operate on a bigger part of the road width. The height of the rear blade is rising from 70-100 cm. It has a good capacity to shove large amounts of snow, or to distribute the gravel evenly over the road width.

TECH. DATA:	RB 30100
Tractor size:	120 Hp ->
Blade height:	0,70 - 1,0 meter
Width:	3,0 meter
Weight:	880 kg

PART NR. DESCRIPTION

IG623002	Igland RB 30100
IG623020	3-point hitch
IG623022	Triangle hitch (Norwegian market)
IG623024	HMV hitch (Norwegian market)
IG623011	Hydraulic regulation of arm
IG623016	Shock valve including accumulator, only for IG620011 and IG620012
IG623008	Adjustable support wheels compact, 6,00 x 9, 2 wheels

Options - ONLY FACTORY INNSTALLED

IG623013	Tagged wear steel
----------	-------------------

Options - UPGRADE

IG623010	Adjustable support wheels, 6,00 x 9, 2 wheels
IG623018	Hydraulic regulation of one support wheel
IG623014	Set for hydraulic regulation of arm
IG623032	Straight wear steel
IG623033	Combined toothed/smooth cutting edge
IG623034	Perforated wear steel



IGLAND DS 600/800 Sand spreader



IGLAND DS 600/800 SAND SPREADER

IGLAND DS 600 and 800 are self-loading sand spreaders that can be mounted both on the front and back of a tractor. IGLAND offers DS 600 for smaller tractors. The DS 800 is well suited for medium-sized tractors. The sand spreaders have hydraulically driven agitators to ensure that any chunks of sand are split up before the output. The DS 600 spreads the sand 1,5 m wide. The DS 800 spreads 2 meters wide. The base machine comes without attachments. For alternative hitches, please see below.

TECH. DATA:	DS 600	DS 800
Spreading width:	1,5 meter	2,0 meter
Capacity:	600 liter	800 liter
Height/Width/Length:	90/170/95	90/220/95
Weight:	300 kg	360 kg

PART.NR. DESCRIPTION

IG611100	IGLAND DS 600 Sand spreader - WITHOUT ATTACHMENT
IG610000	IGLAND DS 800 Sand spreader - WITHOUT ATTACHMENT
IG611100-1	IGLAND DS 600 Sand spreader w/Adjustment Valve
IG610000-1	IGLAND DS 800 Sand spreader w/Adjustment Valve

Options - UPGRADE

IG500063	3-point hitch (not DS1400)
IG500059	Triangle hitch (Norwegian market) (not DS1400)
IG500066	3-point hitch, cat. II
IG500056	Combi HMV and SMS hitch (Norwegian market)
IG500062	Euro hitch
IG500053	Old Alo type 3 hitch
IG500050	SMS hitch
IG500061	Euro (JD) hitch
IG610005	Adjustment valve for output speed, factory installed
IG610006	Adjustment valve for output speed, self-upgrade
IG610010	Covering plate, reduces 50% of spread width
IG611109	Rain cover DS 600
IG610009	Rain cover DS 800



IGLAND DS 1400/1600 Sand spreader

NEWS!



IGLAND DS 1400/1600 SAND SPREADER

IGLAND DS 1400 and the new DS1600 are intended for larger jobs and have good capacity and spreader width. They are self-loading and the control valve is accessible through the rear window of the tractor. The sand spreaders have hydraulically driven agitators to ensure that any chunks of sand are split up before discharge. Base machine is without attachments. For alternative hitches, please see below.

TECH. DATA:	DS 1400	DS 1600
Spreading width:	2,0 meter	2,2 meter
Capacity:	1400 liter	1600 liter
Height/Width/Length:	115/220/112	115/240/112
Weight:	450 kg	520 kg

PART.NR. DESCRIPTION

IG611000	IGLAND DS 1400 Sand spreader - WITHOUT ATTACHMENT
IG611200	IGLAND DS 1600 Sand spreader - WITHOUT ATTACHMENT
IG611000-1	IGLAND DS 1400 Sand spreader w/Adjustment Valve
IG611200-1	IGLAND DS 1600 Sand spreader w/Adjustment Valve

Options - UPGRADE

IG500066	For 3-pkt frontmontert og bakmontert feste, Kat. II
IG611007	Triangle hitch for DS 1400
IG611205	HMV stitch for DS1400/1600
IG610005	Adjustment valve for output speed, factory installed
IG610006	Adjustment valve for output speed, self-upgrade
IG610010	Covering plate, reduces 50% of spread width
IG611009	Rain cover DS 1400
IG611209	Rain cover DS 1600



Optional equipment, practical rain cover

IGLAND SBV 2270 SlideFlex Snow blower



IGLAND SBV 2270 SLIDEFLEX SNOW BLOWER

Simple and strong snowblower. Full 2.2 metre working width. The snowblower is suitable for smaller tractors. Covers a need for an easy snowblower for smaller tasks. SBV 2270 comes with mechanically removable SlideFlex system that gives sideways flexible 3-point hitch. The snowblower can move up to 30 cm to the side. Skid shoes and wear-resistant steel is standard. The snowblower is delivered with a hydraulic chute rotation. The deflector of the chute is manual adjusted. Very good throwing distance thanks to the fan, with special-shaped shovels, and with a diameter of 70 cm. Both fan and fan housing are made in HARDOX steel.

PART NR. DESCRIPTION

IG731000 IGLAND SBV 2270 SlideFlex Snow Blower

Options - UPGRADE

IG209160 PTO shaft, Walterscheid 2500, 1 3/4"
 IG732012 Set for hydraulic control of SlideFlex
 IG731010 Hydraulic regulation of deflector
 IG731012 Edge trim steel right side, increases width by 10 cm
 IG731014 Edge trim steel left side
 IG143170 Igländ Quick coupling for HMV
 IG143210 Igländ Quick coupling for Lyng Triangle (Accord)
 IG733010 Wheels dim. 11x7x4

TECH. DATA:	SVB 2270
Tractor size:	60-80 Hp
Fan diameter:	70 cm
Width:	2,2 meter
Weight:	545 kg



IGLAND SBV 2380 SlideFlex Snow blower



IGLAND SBV 2380 SLIDEFLEX SNOW BLOWER

Simple and strong snowblower. Full 2.3 metre working width. The snow blower is suitable for medium size tractors. Covers a need for an effect full snowblower for different tasks. SBV 2380 comes with mechanically removable SlideFlex system, that gives sideways flexible 3-point hitch. The snowblower can move up to 30 cm to the side. Skid shoes and wear-resistant steel is standard. The snowblower is delivered with a hydraulic chute rotation. The deflector is hydraulic operated. Very good throwing distance thanks to the fan, with special-shaped shovels, and with a diameter of 80 cm. Both fan and fan-housing are made in HARDOX steel.

TECH. DATA:	SVB 2380
Tractor size:	80-110 Hp
Fan diameter:	80 cm
Width:	2,3 meter
Weight:	795 kg

PART NR. DESCRIPTION

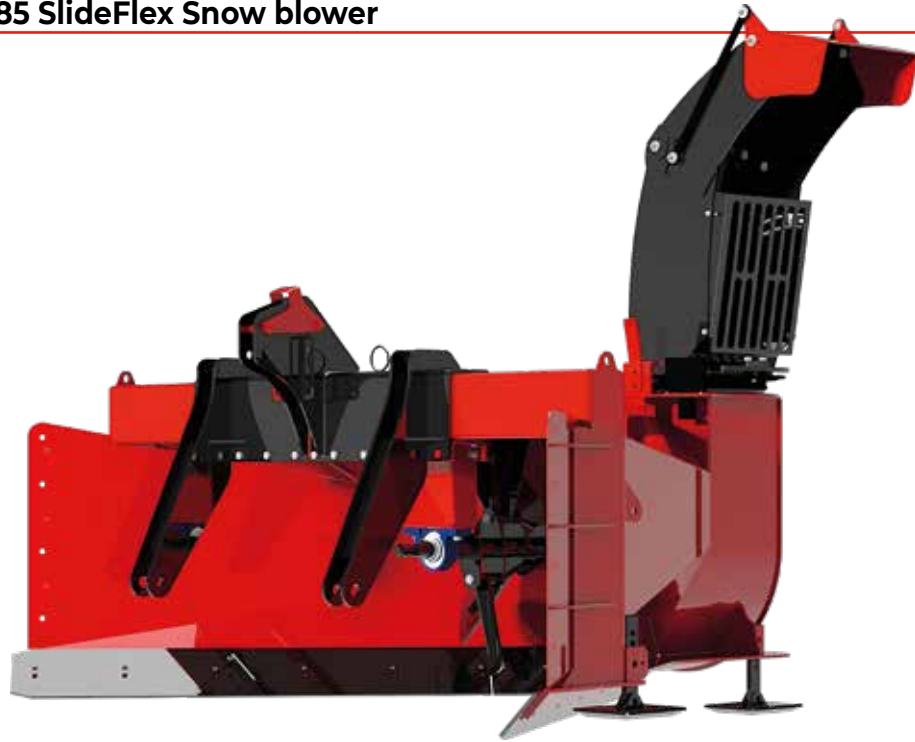
IG732000	IGLAND SBV 2380 SlideFlex Snow Blower
----------	---------------------------------------

Options - UPGRADE

IG209180	PTO shaft, Walterscheid 2500, 1 3/4 "
IG732012	Set for hydraulic control of SlideFlex
IG733010	Wheels dim. 11x7x4
IG732014	Edge trim steel right side, increases width by 10 cm
IG732016	Edge trim steel left side
IG143170	Igland Quick coupling for HMV
IG143210	Igland Quick coupling for Lyng Triangle (Accord)



IGLAND SBV 2585 SlideFlex Snow blower



IGLAND SBV 2585 SLIDEFLEX SNOW BLOWER

Fast and strong snowblower. Full 2.5 metre working width. The snow blower is suitable for bigger tractors. Covers a need for a robust snow blower for every task. SBV 2585 comes with hydraulically removable SlideFlex system, that gives sideways flexible 3-point hitch. The snow blower can move up to 30 cm to the side. Skid shoes and wear-resistant steel is standard. The snowblower is delivered with a hydraulic chute rotation. The deflector is hydraulic operated. Very good throwing distance thanks to the fan, with special-shaped shovels, and with a diameter of 85 cm. Both fan and fan-housing are made in HARDOX steel.

TECH. DATA:	SVB 2585
Tractor size:	120-200 Hp
Fan diameter:	85 cm
Width:	2,5 meter
Weight:	1150 kg

PART NR. DESCRIPTION

IG733000 IGLAND SBV 2585 SlideFlex Snow Blower

Options - UPGRADE

IG209193 PTO shaft, Walterscheid P500 540 RPM
 IG209195 PTO shaft, Walterscheid P600 540 RPM
 IG733010 Wheels, complete, dim. 11 x 7 x 4, 2 pcs
 IG733012 Edge trim right side, increases width by 15 cm
 IG733014 Edge trim left side, increases width by 5 cm
 IG722016 Igländ Quick Coupling for HMV
 IG721018 Igländ Quick Coupling for Triangle, (Accord)
 IG733020 Marking light
 IG733022 Extra light



IGLAND SB 2272



IGLAND SB 2272

Fast and efficient two-stage snowblower. Standard with 3-point hitch. Slide shoes is standard, likewise wear-resistant steels, and side cut steel on the right side. 1 3/4" spline shaft and 1" transfer chain with shear bolt ensures optimal efficiency of the auger. Easy maintenance behind the lid and inspection hatch. Hydraulically controlled chute. Very good throwing distance thanks to fa-shaped shovels with a diameter of 70 cm. Both fan and fan housing are in HARDOX steel.

TECH. DATA:	SB 2272
Tractor size:	60-100 Hp
Fan diameter:	70,5 cm
Auger:	40 cm
Width:	2,2 meter
Weight:	730 kg

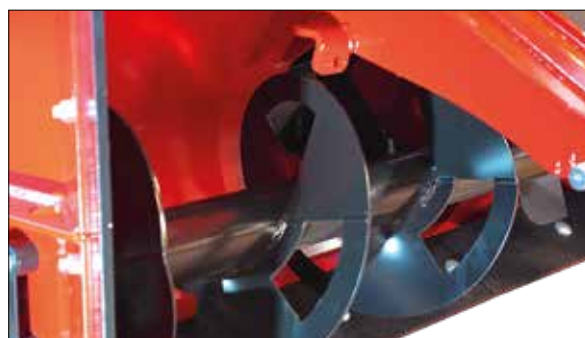
PART NR.	DESCRIPTION
IG720505	IGLAND SB 2272

Options

IG209160	PTO shaft Walterscheid 2400, 1 3/4"
IG733010	Wheels complete, dim. 11 x 7 x 4, 2 psc.
IG143210	Igland Quick Coupling for Triangle
IG720508	Igland Quick Coupling for HMV
IG720506	Spring release for 3-point hitch

Options - UPGRADE

IG720516	Tagged wear steel SB 2272
IG720515	Straight wear steel SB 2272
IG720510	Perforated wear steel SB 2272
IG731010	Hydraulic regulation of deflector



IGLAND SB 2580



IGLAND SB 2580 Slideflex



IGLAND SB 2580/ SB 2580 SLIDEFLEX

Fast and efficient two-stage snow blower with a 2.5 meter width. Model SB2580 Slideflex, are standard with the smart "SlideFlex" system that can slide the chassis by 30 cm. Snowblower passes elegantly obstacles along the edge. Both models are designed for mounting on farm tractor with standard 3-point hitch. Depth shoes are standard, as well as ground scrape and wing panel on the right side. 1 3/4" spline axle and 1" chain transmission with exploit bolt ensures optimum efficiency of auger. Easy access to back cover and inspection hatches for maintenance. Hydraulically controllable chute with very good throwing length, thanks to a fan diameter of 80 cm. Both the fan and fan housing are made of HARDDOX steel.

TECH. DATA:	SB 2580	SB 2580 SlideFlex
Tractor size:	80-120 Hp	80-150 Hp
Fan diameter:	80 cm	80 cm
Auger:	44 cm	44 cm
Width:	2,5 meter	2,5 meter
Weight:	930 kg	1100 kg

PART NR. DESCRIPTION

IG723001	IGLAND SB 2580
IG723201	IGLAND SB 2580 SlideFlex

Options

IG209160	PTO shaft, Walterscheid 2400, 1 3/4"
IG209180	PTO shaft, Walterscheid 2500, 1 3/4" (Recommended for SB 2580)
IG209193	PTO-aksel, Walterscheid P500 540 RPM
IG723010	Wheels complete, dim. 4.00 x 8, 2 psc.
IG722012	Spring release for 3-point hitch. (does not fit HMV or Triangle)
IG723212	Spring release for 3-point hitch - for 2580 Slideflex
IG723012	Edge trim left side, increases width by 5 cm
IG143170	Igland Quick Coupling for HMV - for 2580 Slideflex
IG722016	Igland Quick Coupling for HMV - for 2580
IG143210	Lyng Triangel (Kun for SB 2580 Slideflex)
IG723014	Hydraulic movable wing, Right Side
IG723214	Hydraulic movable wing, Right Side - for 2580 Slideflex

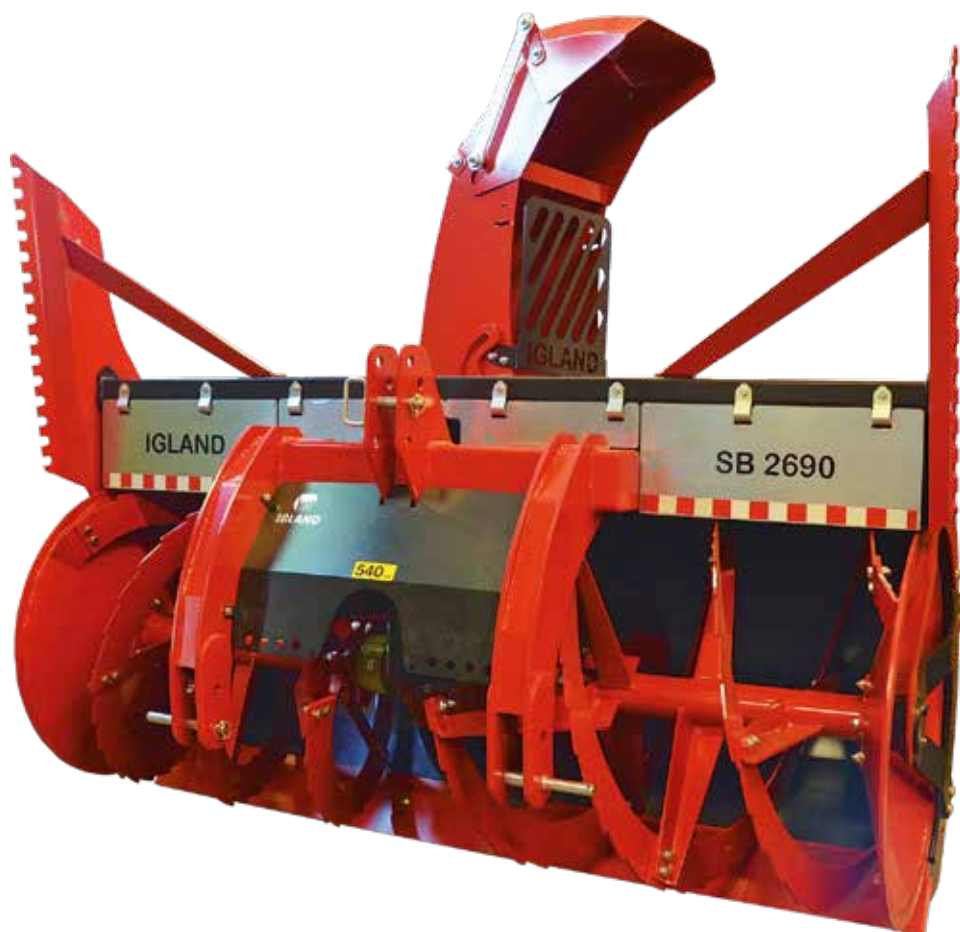
INCREASES WIDTH UP TO 30 cm

Options - UPGRADE

IG723090	Tagged wear steel SB 2580
IG723015	Straight wear steel SB 2580
IG723091	Perforated wear steel SB 2580



IGLAND SB 2690 Snow Blower



IGLAND SB 2690 SNOW BLOWER

Big and powerful two-stage snow blower for the biggest tasks. Standard basic version equipped for rear mounting. SB 2690 comes with changeable 3-point coupling for both front or rear mounting, steel edge plates with top shear, anti splash flaps, 1000 rpm gear-box, auger with automatic overload protection, sliding shoe, marker lights and full-hydraulic chute.

See accessories for back and front mounted version.

The snowblower is built for reopening of submerged roads or efficient clearing in snowy areas. Optional front or rear mounting, and can also be used for backing. The large and robust auger feeds the fan continuously with snow.

The powerful gearbox is divided into three directions, to both augers and directly to the fan. Both augers have automatic overload protection, which shut down the power for a moment, and then reconnect when resistance is normalized.

The 90 cm fan housing contains a five-blade fan that provides a steady and powerful snow beam with very long range. The fan is also secured against overload. All strategic parts on SB 2690, such as fan, fan housing and augers, are made of Hardox Steel, making the snowblower able to withstand the stresses of professional use year after year.

TECH. DATA:	SB 2690
Tractor size:	150-300 Hp
Height without top cutting edge:	1,45 meter
Height with top cutting edge:	2,10 meter
Fan diameter:	90 cm
Auger:	95 cm
Width:	2,6 meter
Weight:	1700 kg





PART NR. DESCRIPTION

IG724002	IGLAND SB 2690 Snowblower, 1000 rpm, Front mounted (Can be back mounted)
IG724003	IGLAND SB 2690 Snowblower, 1000 rpm, Rear mounted (Can be front mounted)
IG724004	IGLAND SB 2690 Snowblower, 540 rpm, Front mounted (Can be back mounted)
IG724005	IGLAND SB 2690 Snowblower, 540 rpm, Rear mounted (Can be front mounted)

Options - UPGRADE

IG724028	Side plates, right and left, set (total width 2.75 metre)
IG724026	Round edge plates, set
IG209191	PTO shaft, Walterscheid (for 1000 rpm) Walterscheid 2500 M186 for front mounting
IG209193	PTO shaft, Walterscheid P500 540 RPM
IG209195	PTO shaft, Walterscheid P 600 for 540 rpm for backing and rear mounting
IG724017	Forklift wheels, complete set, dim. 6.00 x 9.8
IG724018	Gearbox for 3-point hitch, front mounting, 1000 rpm PTO
IG724024	Extension width, set (total width 2,9 metre, Only together with IG724012 or IG724028)
IG724020	Top cut, set (total width 2.6 metre, NOT together with IG724012 or IG724028)
IG724021	Perforated wear steel
IG724022	Tagged wear steel

Telescopic loading chute



IGLAND SP 180/220 V-plow



IGLAND SP 180/220 V-PLOW

Front mounted hydraulic snowplow. Fitted for mini loaders or small tractors that have 180/220 cm working width in neutral position, measured on the cutting edge steel. It can be regulated in all directions in a "V" or "Y" shape, and it has a 35 degree shear. It is ideal for clearing open spaces and regular road or pavement plowing. It requires a multifunctional hydraulic outlet. It is electrically controlled with a changeover switch. It has adjustable bowl-shaped sliding shoes and a flexible shock absorbing steel holder, to minimise impact when hitting small obstacles.

TECH. DATA:	SP 180	SP 220
Min. measure in «V» shape:	Cutting edge 148,2 cm Top edge wing 175,9 cm	Cutting edge 181 cm Top edge wing 218 cm
Height:	71/80 cm	72/84 cm
Width:	1,8 meter	2,2 meter
Weight:	215 kg	250 kg
Float motion/ Tilt degrees	190 mm/ 10 grader	

PART NR. DESCRIPTION

IG643000	IGLAND SP 180 (without fixing)
IG643200	IGLAND SP 220 (without fixing)

Options - FOR MINI LOADERS

IG500049	Weidemann hitch, (only with IG640018)
IG643008	Scan Frame hitch
IG643009	Flow attachment with ScanFrame hitch
IG643010	Coupler for Avant and Multione
IG643011	Flow attachment for Avant and Multione
IG640012	Valve El. steering for parallel function (factory installed)

Options - FOR TRACTOR LOADERS

IG640018	Spacer REQUIRED
IG640010	Flow attachment
IG500059	Triangle hitch (Norwegian market)
IG500056	Combi HMV and SMS hitch (Norwegian market)
IG500062	Combi Euro hitch
IG500061	Euro (JD) hitch
IG500053	Alo type 3 hitch
IG500050	SMS hitch
IG640012	Valve El. steering for parallel function (factory installed)



IGLAND SP 250/280/310 V-plow



IGLAND SP 250/280/310 V-PLOW

Loader fitted or 3-point front mounted hydraulic snowplow with 250/280/310 cm working width in neutral position, measured on wear resistant steel. It can be regulated in all directions in a "V" or "Y" shape, and it has a 35 degree shear. It is ideal for clearing open spaces and regular road or pavement plowing. It requires a multi-functional hydraulic outlet. It is electrically controlled with a changeover switch. It has adjustable bowl-shaped sliding shoes and a flexible shock absorbing steel, to minimise impact when hitting small obstacles. (Note! When using front loader, the tractor must have the flow function. When front mounting with a 3-point, we recommend you use a flow coupler.)

PART NR. DESCRIPTION

IG640002	IGLAND SP 250 (without fixing), incl. valve el.steering for parallel function
IG641002	IGLAND SP 280 (without fixing), incl. valve el.steering for parallel function
IG642002	IGLAND SP 310 (without fixing), incl. valve el.steering for parallel function

Options - FOR TRACTOR LOADERS

IG640010	Flow attachment
IG500059	Triangle hitch
IG500056	Combi HMV and SMS hitch (Norwegian market)
IG500062	Combi Euro hitch
IG500061	Euro (JD) hitch
IG500053	Alo type 3 hitch
IG500050	SMS hitch
IG500066	3-point hitch, cat. II
IG500054	JCB 409 hitch / Zettelmeyer
IG500055	Volvo BM hitch
IG500064	Skid Steer hitch (Bobcat)
IG500045	Atlas 65 hitch
IG500049	Weidemann hitch, (only together with IG640018)

TECH. DATA:	SP 250	SP 280
Min. measure in «V» shape:	Cutting edge 207,5 cm Top edge wing 239 cm	Cutting edge 230 cm Top edge wing 267 cm
Height:	73/84 cm	74/90 cm
Width:	2,5 meter	2,8 meter
Weight:	325 kg	375 kg

TECH. DATA:	SP 310
Min. measure in «V» shape:	Cutting edge 254 cm Top edge wing 295 cm
Height:	77/99 cm
Width:	3,1 meter
Weight:	435 kg





IGLAND LIFT

IGLAND RBT 120 ROUND BALE TIPPER



IGLAND RBT 120 ROUND BALE TIPPER

The mechanical bale tipper from Igland. Picks up and transports bales in a safe and gentle manner. Bales can be placed either lying or standing using the mechanical tilt function with cable release that turns the ball easily. RBT 120 is easy to use and has a very high capacity. Most brackets are available for this model.

TECH. DATA:	RBT 120
Diameter round bale:	120-130 cm
Length/ Height/ Width:	153/ 73/ 111 cm
Max load:	1200 kg
Weight:	120 kg

PART NR.	DESCRIPTION
IG226400	IGLAND RBT 120 Round bale tipper
IG226402	Hydraulic trigger of tipping function

Brackets for tractor	
IG226410	Simple 3-point hitch
IG500050	SMS hitch
IG500056	Combi HMV and SMS hitch
IG500048	For avant/multione
IG500053	Old Alo type 3 hitch
IG500062	Euro hitch (Nordic type)
IG500061	Euro (John Deere) hitch
IG500059	Triangle hitch
IG500063	3-point hitch
IG500044	Scan frame
IG500067	For JD 400/500
IG500064	For Skid Steer (Bobcat)
IG500054	For JCB
IG500043	For JCB Compact Tool Carrier
IG500046	For S 40 excavator
IG500047	For S 50 excavator



IGLAND RBG 150 ROUND BALE CLAW



IGLAND RBG 150 ROUND BALE CLAW

A powerful and flexible hydraulic bale claw. The claw is ideal for gentle handling of bales and is out-shaped so that the bale retains its shape and is then easier to stack. The claw is low profile, which provides a good overview. Safety valve ensures the the bale remains in the claw during transport. Right and left arm can be locked for easier stacking and gentle handling of plastic. The claw has optional mounting brackets for your loaders.

TECH. DATA:	RBG 150
Safety valve:	Yes
Lifting capacity:	6,6 tons
Min/ Max opening:	0/ 192 cm
Weight:	175 kg

PART NR. DESCRIPTION

IG226100	IGLAND RBG 150 Round bale claw
----------	--------------------------------

Brackets for tractor

IG500050	SMS hitch
IG500056	Combi HMV and SMS hitch
IG500048	For Avant/multione
IG500053	Old Alo type 3 hitch
IG500062	Euro hitch (Nordic type)
IG500061	Euro (John Deere) hitch
IG500059	Triangle hitch
IG611007	Triangle hitch reinforced
IG500063	3-point hitch
IG500066	3-point hitch, Cat. II
IG500044	Scan frame
IG500067	For JD 400/500
IG500064	For Skid Steer (Bobcat)
IG500054	For JCB
IG500043	For JCB Compact Tool Carrier
IG500046	For S 40 excavator
IG500047	For S 50 excavator



IGLAND RBH 120 ROUND BALE HANDLER



IGLAND RBH 120 ROUND BALE HANDLER

Hydraulic bale lifting. The roller arm is adjusted hydraulically with the cylinder and the bale is then gently lifted with two large rotating rollers. RBH 120 is designed so that the rollers absorb the bale movements without damaging the plastic. Using overhead arm (optional) you can clamp the bale fast. The big rollers are mounted on two bale spears and can easily be converted into bale spears which handles two round bales simultaneously. Practical tools are included for easy demounting of rollers. There are optional mounting brackets for your loaders.

TECH. DATA:	RBH 120
Spear included:	Yes
Length/ Height/ Width:	151/ 85/ 120 cm
Min/ Max:	90-160 cm
Weight:	165 kg

PART NR. DESCRIPTION

IG226200	IGLAND RBH 120 Round bale handler
IG226214	Overhead arm
IG226216	Parkingholder for two rollers

Brackets for tractor

IG500050	SMS hitch
IG500056	Combi HMV and SMS hitch
IG500048	For Avant/Multione
IG500053	Old Alo type 3 hitch
IG500062	Euro hitch (Nordic type)
IG500061	Euro (John Deere) hitch
IG500059	Triangle hitch
IG500063	3-point hitch
IG500044	Scan frame
IG500067	For JD 400/500
IG500064	For Skid Steer (Bobcat)
IG500054	For JCB
IG500043	For JCB Compact Tool Carrier
IG500046	For S 40 excavator
IG500047	For S 50 excavator



IGLAND RBHx2 200 ROUND BALE HANDLER



IGLAND RBHx2 200 HYDRAULIC ROUND BALE HANDLER

Rollers are controlled by a hydraulic cylinder so that the bale is gently lifted. The distance between the rollers are regulated by the outmost two rollers moving in and out. RBHx2 200 is designed so that the rollers absorb the bale movements without damaging the plastic. The big rollers are mounted on four bale spears and can easily be converted into bale spears which handles three round bales simultaneously. Practical tools are included for easy demounting of rollers. The rollers can be parked in a practical holder on the machine. There is optional mounting brackets for your loaders.

TECH. DATA:	RBHx2 200
Spear included:	Yes
Length/ Height/ Width:	140/ 53/ 235 cm
Min/Max:	230-350 cm
Weight:	330 kg

PART NR. DESCRIPTION

IG226202	IGLAND RBHx2 200 Round bale handler
----------	-------------------------------------

Options - ONLY FACTORY INSTALLED

IG226212	Optional valve
----------	----------------

Brackets for tractor

IG500050	SMS hitch
IG500056	Combi HMV and SMS hitch
IG500048	For Avant/Multione
IG500053	Old Alo type 3 hitch
IG500062	Euro hitch (Nordic type)
IG500061	Euro (John Deere) hitch
IG611007	Triangle hitch reinforced
IG500066	3 point hitch, Kat. II
IG500044	For Scan frame
IG500067	For JD 400/500
IG500064	For Skid Steer (Bobcat)
IG500054	For JCB
IG500043	For JCB Compact Tool Carrier
IG500046	For S 40 excavator
IG500047	For S 50 excavator



IGLAND BS 120 MECHANICAL/ BSH 120 HYDRAULIC ROUND BALE SPEAR
IGLAND BSx3 120 MECHANICAL/ BSHx3 120 HYDRAULIC ROUND BALE SPEAR



IGLAND MECHANICAL/ HYDRAULIC ROUND BALE SPEAR

Mechanical or hydraulic operated round bale spear for front loader. Easily tilted to transport position when the spear is not in use. Ensures safe transport, especially in the traffic. Comes with a single spear or 3 spears for better handling. Solid and powerful construction ensures reliability and durability. Optional mounting brackets.

TECH. DATA:	BS
Spear length:	111/ 44 cm
Length/ Height/ Width:	121/ 44/ 84 cm
Tilting:	Yes
Weight:	From 65 kg

PART NR. DESCRIPTION

IG226000	IGLAND BS 120 Mechanical round bale spear
IG226002	IGLAND BSH 120 Hydraulic round bale spear
IG226500	IGLAND BSX3 120 Mechanical round bale spear
IG226502	IGLAND BSHX3 120 Hydraulic round bale spear

Options - ONLY FACTORY INSTALLED

IG226010	Hydraulic kit
----------	---------------

Brackets for tractor

IG500050	SMS hitch
IG500056	Combi HMV and SMS hitch
IG500048	For Avant/Multione
IG500053	Old Alo type 3 hitch
IG500062	Euro hitch (Nordic type)
IG500061	Euro (John Deere) hitch
IG500059	Triangle hitch
IG500063	3-point hitch
IG500044	For Scan frame
IG500067	For JD 400/500
IG500064	For Skid Steer (Bobcat)
IG500054	For JCB
IG500043	For JCB Compact Tool Carrier
IG500046	For S 40 excavator
IG500047	For S 50 excavator



IGLAND FL 95/115 Pallet fork

BESTSELLER



IGLAND FL 95/115 PALLET FORK

Special forged pallet forks. Lifting capacity of 1600/ 2500 kg, measured 60 cm out. Fork length 95/115 cm. The low profile design provides excellent stability and a good line of sight. Quick release snap-locks provide easy movement of the forks. Screw adjustable mounting brackets provides quick attachment to a wide range of loaders.

TECH. DATA:	FL 95	FL 115
Capacity at 60 cm:	1600 kg	2500 kg
Length/ Height/ Width:	95/ 63/ 100 cm	115/ 63/ 100 cm
Weight:	From 127 kg	From 152 kg

ITEM NR. DESCRIPTION

IG225010	IGLAND FL 95, 1600 kg, 1 meter wide, 2 forks, 95 cm (without mounting brackets)
IG225012	IGLAND FL 115, 2500 kg, 1 meter wide, 2 forks, 115 cm (without mounting brackets)

Brackets for tractor

IG500049	Weidemann hitch
IG500050	SMS hitch
IG500056	Combi HMV and SMS hitch
IG500048	For Avant/Multione
IG500053	Old Alo type 3 hitch
IG500062	Euro hitch (Nordic type)
IG500061	Euro (John Deere) hitch
IG500059	Triangle hitch
IG500063	3-point hitch
IG500044	For Scan frame
IG500067	For JD 400/500
IG500064	For Skid Steer (Bobcat)
IG500054	For JCB
IG500043	For JCB Compact Tool Carrier
IG500046	For S 40 excavator
IG500047	For S 50 excavator



LIFT

IGLAND FL 95/115 Double pallet fork



IGLAND FL 95/115 DOUBLE PALLET FORK

Light and flexible pallet fork. Special forged with a 1600/2500 kg lifting capacity under optimal balanced loading. 95/115 cm fork length. The construction gives excellent stability and sight, built with two different frame widths. All with quick release snap locks. See below for correct mounting bracket.

TECH. DATA:	FL 95 DOUBLE	FL 115 DOUBLE
Capacity at 60 cm:	1600 kg	2500 kg
Width:	220/ 240 cm	220/ 240 cm
Weight:	From 255 kg	From 305 kg

ITEM NR. DESCRIPTION

IG225011	IGLAND FL 95 DOUBLE, 1600 kg, 2 m wide, without mounting bracket, 4 forks 95 cm
IG225014	IGLAND FL 95 DOUBLE, 1600 kg, 2.4 m wide, without mounting bracket, 4 forks 95 cm
IG225013	IGLAND FL 115 DOUBLE, 2500 kg, 2 m wide, without mounting bracket, 4 forks 115 cm
IG225015	IGLAND FL 115 DOUBLE, 2500 kg, 2.4 m wide, without mounting bracket, 4 forks 115 c

Brackets for tractor

IG500050	SMS hitch
IG500056	Combi HMV and SMS hitch
IG500048	Old Alo type 3 hitch
IG500053	Old Alo type 3 hitch
IG500062	Euro hitch (Nordic type)
IG500061	Euro (John Deere) hitch
IG611007	Triangle hitch reinforced
IG500066	3 point hitch, Kat. II
IG500044	For Scan frame
IG500067	For JD 400/500
IG500064	For Skid Steer (Bobcat)
IG500054	For JCB
IG500043	For JCB Compact Tool Carrier
IG500046	For S 40 excavator
IG500047	For S 50 excavator



IGLAND Multigrip



IGLAND MULTIGRIP

Multigrip made for mounting on pallet fork framework. Factory installed or can easily be mounted on a pallet fork frame afterwards. Multigrip is very well suited to pinch over firewood, bales of hay, logs or can be used as support when pallet fork is in use. Does not interfere with the function of the pallet fork when multigrip is in open position. Ideal product for those who don't want to take it off when the multigrip is not in use.

NB!!!

The Multigrip is only suitable for light duties when moving timber logs.

TECH. DATA:	FL 95
Opening:	160°
Length:	121 cm
Height:	101 cm
Weight::	79 kg



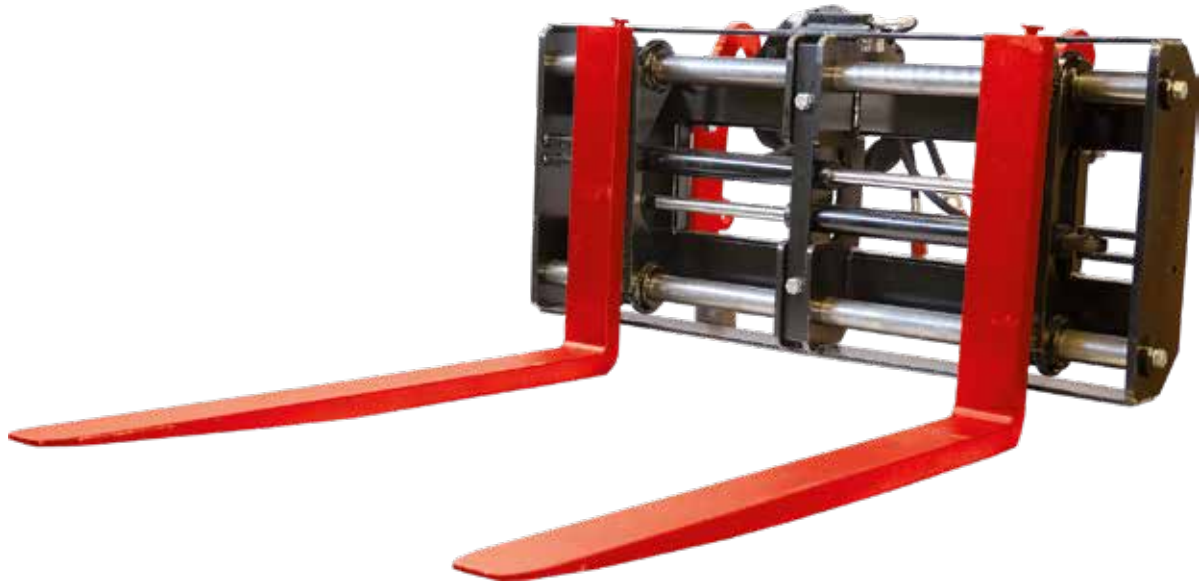
PART NR. DESCRIPTION

IG224500 IGLAND Multigrip



LIFT

IGLAND FLH 95/ FLH 115



IGLAND FLH 95/115 HYDRAULIC PALLET FORK

Hydraulic pallet fork with side shift forks. Requires 3 point hydraulic function on the loader. Special forged with lifting capacity 1600/ 2500 kg measured by 60 cm. Fork length 95/115 cm. Max width 120 cm. The design provides great flexibility and good stability.

TECH. DATA:	FLH 95	FLH 115
Capacity at 60 cm:	1600 kg	2500 kg
Min/ Max width:	29/ 120 cm	29/ 120 cm
Weight:	237 kg	262 kg

PART NR. DESCRIPTION

IG225110	IGLAND FLH 95, 1600 kg, 1,2 metre wide, without bracket, 2 forks: 95 cm
IG225112	IGLAND FLH 115, 2500 kg, 1,2 metre wide, without bracket, 2 forks: 115 cm

Brackets for tractor

IG500050	SMS hitch
IG500056	Combi HMV and SMS hitch
IG500048	For Avant/Multione
IG500053	Old Alo type 3 hitch
IG500062	Euro hitch (Nordic type)
IG500061	Euro (John Deere) hitch
IG500059	Triangle hitch
IG611007	Triangle hitch reinforced
IG500063	3-point hitch
IG500066	3 point hitch, Kat. II
IG500044	For Scan frame
IG500067	For JD 400/500
IG500064	For Skid Steer (Bobcat)
IG500054	For JCB
IG500043	For JCB Compact Tool Carrier
IG500046	For S 40 excavator
IG500047	For S 50 excavator



IGLAND GR 20 Grapple



Picture shows IGLAND GR 20 with extra equipment

IGLAND GR 20 GRAPPLE

The GR 20 is a versatile grapple from IGLAND. The grapple can be used for many different purposes and is perfectly suited for lifting timber, rocks, and other different materials. The grapple is easy to mount and there is a wide selection of mounting brackets for different front loaders.

TECH. DATA:	GR 20
Min/ Max opening:	0/ 103 cm
Power:	7 tons v/ 180 bar
Length/ Height/ Width:	60/ 98/ 80 cm
Weight:	145 kg

PART NR. DESCRIPTION

IG224010	IGLAND GR 20 Grapple
----------	----------------------

Options

IG224022	Lengthening set
IG224024	Grab plate set

Brackets for tractor

IG500050	SMS hitch
IG500056	Combi HMV and SMS hitch
IG500048	For Avant/Multione
IG500059	Triangle hitch
IG500063	3-point hitch
IG500044	For Scan frame
IG500043	For JCB Compact Tool Carrier
IG500046	For S 40 excavator
IG500047	For S 50 excavator
IG224012	Old Alo type 3 hitch
IG224013	Euro hitch (Nordic type)
IG224028	Euro (John Deere) hitch
IG224016	Type «John Deere»
IG224017	«Skid steer»
IG224026	For JD 400 / 500 feste



LIFT

IGLAND GR 30 Grapple



Bildet viser IGLAND GR 30

IGLAND GR 30 GRAPPLE

- Large powerful grapple
- Designed for larger loaders
- Quick connectors available
- Increased efficiency

Large and powerful grapple for the heaviest lifts! GR 30 is a more powerful version than GR 20 and is developed for larger loaders. Available with several optional quick connectors tailored to your front loader. It is highly useful for pushing, sorting, stacking and lifting logs. Optional rock plate for handling rocks, roots and other materials.

TECH. DATA:	GR 30
Min/ Max opening:	0/109cm
Power:	7 tons v/180bar
Length/ Height/ Width:	70/100/113cm
Weight:	260kg

PART NR. DESCRIPTION

IG224110	IGLAND GR 30 Grapple
----------	----------------------

Options

IG224022	Lengthening set
IG224115	Grab plate set

Brackets for tractor

IG500050	For SMS
IG500056	For H MV/ SMS kombi
IG500048	For Avant
IG500059	Triangle hitch
IG500063	3-point hitch
IG500044	For Scan frame
IG500043	For JCB Compact Tool Carrier
IG500046	For S 40 excavator
IG500047	For S 50 excavator
IG500053	Old Alö type 3 for GR 20
IG500062	For Euro combi
IG500061	For Euro (John Deere)
IG500064	For «Skid steer»
IG500067	For JD 400 / 500 hitch



IGLAND BL 1200 Big bag Lift (FIBC)



IGLAND BL 1200 BIG BAG LIFT (FIBC)

For a more steady and safe handling of big bag (FIBC). The hook is bent to the side to make it more practical and clear as it makes it easy to see from the driver seat. Hook and frame is built solid to make tough lifts easier. Max lifting capacity 1200 kg.

TECH. DATA:	BL 1200
Height:	170 cm
Width:	100 cm
Weight:	75 kg

PART NR. DESCRIPTION

IG227200 IGLAND BL 1200 without mounting brackets for loader

Brackets for tractor

IG500050 SMS hitch
 IG500056 Combi HMV and SMS hitch
 IG500048 For Avant/Multione
 IG500053 Old Alo type 3 hitch
 IG500062 Euro hitch (Nordic type)
 IG500061 Euro (John Deere) hitch
 IG500059 Triangle hitch
 IG500063 3-point hitch
 IG500044 For Scan frame
 IG500067 For JD 400/500
 IG500064 For Skid Steer (Bobcat)
 IG500054 For JCB
 IG500043 For JCB Compact Tool Carrier
 IG500046 For S 40 excavator
 IG500047 For S 50 excavator



IGLAND DB Dozer blade



IGLAND DOZER BLADE

Effective tool made for stacking timber on loading site, clearing of timber skids or scaling simple tractor roads, all seasons. A variety of attachments for tractors.

TECH. DATA:	DB 180	DB 200
Length/ Height/ Width:	180/ 80/ 25 cm	200/ 80/ 25 cm
Weight:	110 kg	120 kg

PART NR. DESCRIPTION

IG221031	IGLAND DB 180 1.8 m basic blade without mounting brackets for loader
IG221032	IGLAND DB 200 2.0 m basic blade without mounting brackets for loader

Brackets for tractor

IG500050	SMS hitch
IG500056	Combi HMV and SMS hitch
IG500048	For Avant/Multione
IG500053	Old Alo type 3 hitch
IG500062	Euro hitch (Nordic type)
IG500061	Euro (John Deere) hitch
IG500059	Triangle hitch
IG500063	3-point hitch
IG500044	For Scan frame
IG500067	For JD 400/500
IG500064	For Skid Steer (Bobcat)
IG500054	For JCB
IG500043	For JCB Compact Tool Carrier
IG500046	For S 40 excavator
IG500047	For S 50 excavator





1952 vs. 2022!

Igland's oldest winch (Universal from 1952) and
Igland's newest winch (52 from 2022)



IGLAND

NEWS!

580 s. 36



180 p. 28



DS 1600 p. 55

Nøsted &, avd. Jåbekk,
Doneheia 17, 4516 Mandal,
corporate@nosted.com
www.nosted.com/igland
Tel. +47 37 25 62 00



Igland



@igland.as



Nøsted&



@nosted_and

nøsted &