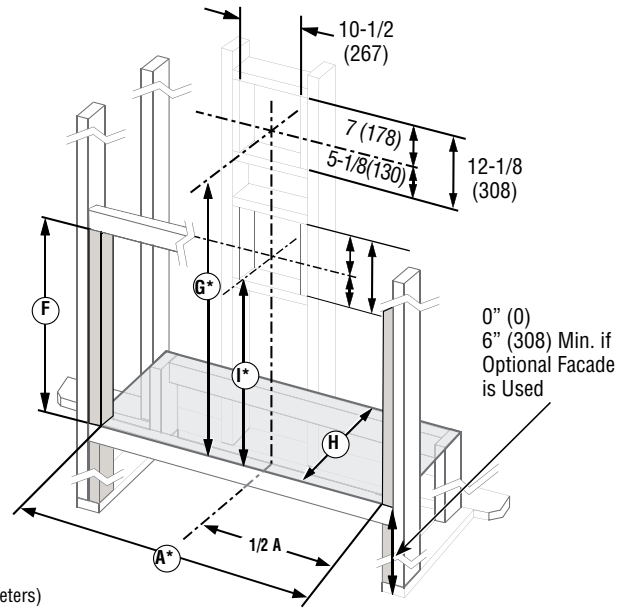
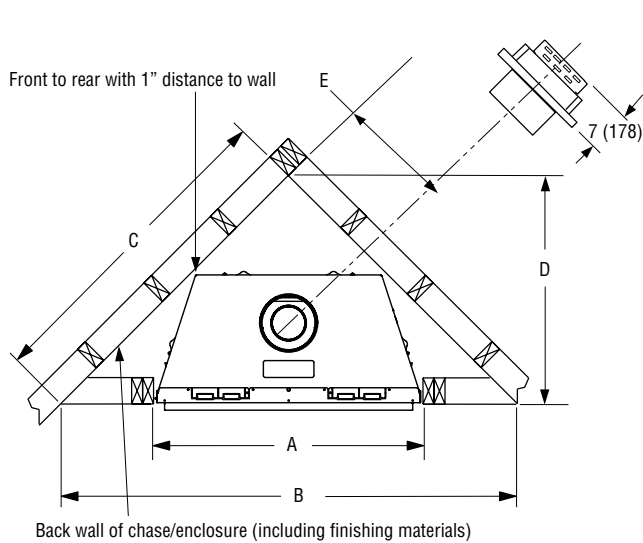


DRL2000 & DRL3500 SERIES

LINEAR DIRECT-VENT FIREPLACES

Framing construction to be 2 x 4 or larger

Standard Framing Dimensions



Corner

Standard

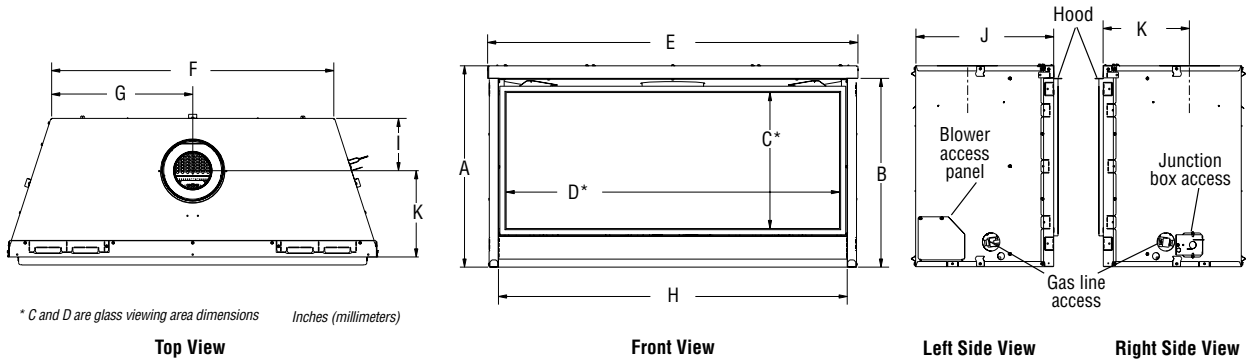
Model	A *	B	C	D	E	F	G*	H	I*
35" Models	35-7/8 (911)	59-1/2 (1511)	42-1/8 (1070)	30-1/4 (768)	4-1/4 (362)	29 (737)	42 (1067)	18 (458)	31-1/2 (547)
45" Models	45-7/8 (1165)	70-3/8 (1788)	49-3/4 (1264)	35-1/4 (895)	17-1/2 (445)	29 (737)	42 (1067)	18 (458)	31-1/2 (547)
55" Models	55-7/8 (1420)	82-3/4 (2102)	58-1/2 (1486)	41-3/8 (1051)	21-1/2 (547)	29 (737)	42 (1067)	18 (458)	N/A

A* Minimum opening size; additional 1/8" per side is recommended.
 G* For installations with 12" section directly off unit then elbow.
 H* For flush framing installations.
 I* For installations with elbow directly off unit (see note below)

NOTE: Framing specifications do NOT apply for flexible venting. When using flexible venting, refer to the kit requirements for framing specifications.

NOTE: 35" and 45" models = Strongly recommend at least 1 ft of vertical rise directly off top of unit. 55" = Minimum 1 ft vertical rise is required directly off unit.

Fireplace Dimensions

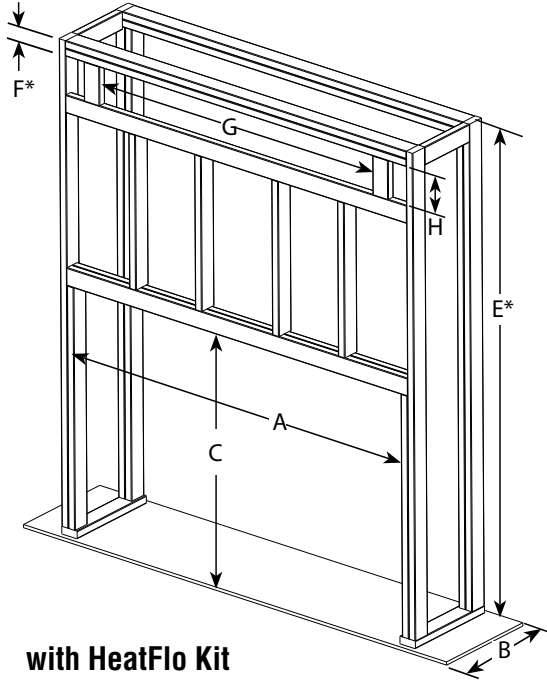


Model	A	B	C*	D*	E	F	G	H	I	J	K
35" Models	24-3/4 (629)	23-1/4 (591)	16-3/4 (426)	30 (762)	35-1/2 (902)	24-3/4 (629)	12-3/8 (315)	32-7/8 (835)	6-1/2 (166)	17 (432)	10-5/8 (270)
45" Models	24-3/4 (629)	23-1/4 (591)	16-3/4 (426)	40 (1016)	45-1/2 (1156)	34-3/4 (883)	17-3/8 (442)	42-7/8 (1089)	6-1/2 (166)	17 (432)	10-5/8 (270)
55" Models	24-3/4 (629)	23-1/4 (591)	16-3/4 (426)	50 (1270)	55-1/2 (1410)	44-3/4 (1137)	22-3/8 (569)	52-7/8 (1344)	6-1/2 (166)	17 (432)	10-5/8 (270)

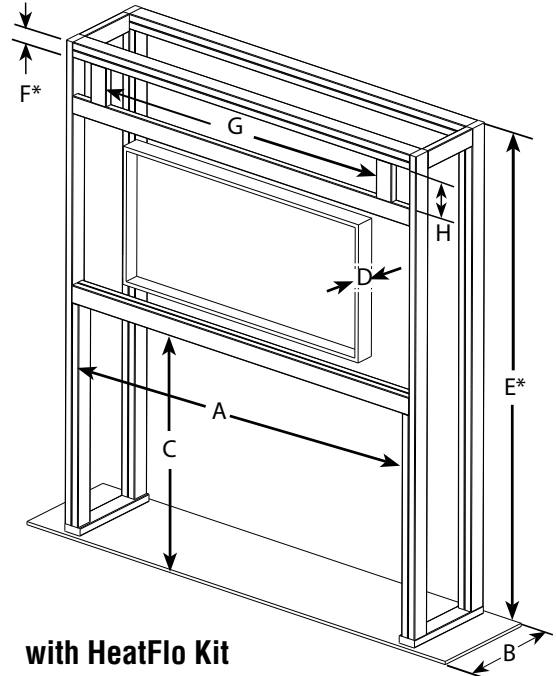
NOTE: DIAGRAMS & ILLUSTRATIONS ARE NOT TO SCALE.

DRL2000 & DRL3500 SERIES

HeatFlo Framing Dimensions



with HeatFlo Kit
for Flush Wall



with HeatFlo Kit
for Recessed Wall Pocket

Framing Dimensions - Inches (millimeters)								
	A	B	C	D	E*	F*	G	H*
45" Models	45-7/8 (1165)	18 (458)	29 (737)	3-1/2 (89)	81-1/2 (2070)	1-1/2 (38)	43-1/2 (1105)	5-1/8 (130)
55" Models	55-7/8 (1420)	18 (458)	29 (737)	3-1/2 (89)	81-1/2 (2070)	1-1/2 (38)	53-1/2 (1359)	5-1/8 (130)

D* Maximum allowable depth
E* Minimum height from appliance base to ceiling
F* Minimum distance from framed opening to ceiling

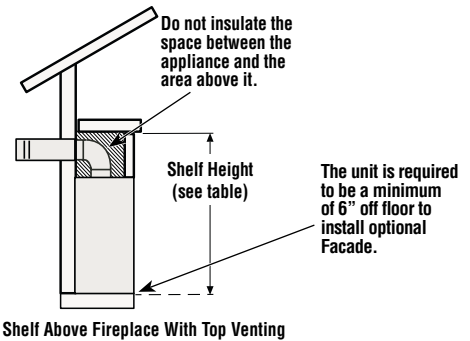
NOTE: Unit must be installed a minimum of 6" off floor if the optional facade is to be installed.

TVs should not be used in situations where the actual TV temperature exceeds the manufacturer's technical specification. Contact the TV manufacturer directly if you cannot locate this information or have questions regarding this information.

Shelf Height

Model	Top Vent with one 90° Elbow* (55" models require 12" of vertical rise directly off unit)	
	Secure Vent® (using rigid elbow)	Secure Flex® (using flex elbow)
35" Models	47" (1194 mm)*	49" (1245 mm)*
45" Models	52" (1321 mm)*	54" (1372 mm)*
55" Models	62" (1575 mm)*	64" (1626 mm)*

* Includes 3" clearance to combustibles (required above vent components)



Shelf Above Fireplace With Top Venting

Specifications and clearances are subject to change without notice. Refer to Installation and Operation Manual before installation of these appliances for updated dimensions and instructions.

NOTE: DIAGRAMS & ILLUSTRATIONS ARE NOT TO SCALE.

DRL2000 & DRL3500 SERIES

Product Info

Fireplace Reference Information				
Cat. No.	Model	Description	Shipping Wt.	Shipping Vol.
F4182	DRL2035TEN	35" Linear DV, Elec NG	101 lb.	9.3 cu. ft.
F4183	DRL3535TEN	35" Linear DV, Lights, Blower, Elec NG	101 lb.	9.3 cu. ft.
F4186	DRL2045TEN	45" Linear DV, Elec NG	126 lb.	11.9 cu. ft.
F4187	DRL3545TEN	45" Linear DV, Lights, Blower, Elec NG	126 lb.	11.9 cu. ft.
F4236	DRL2055TEN	55" Linear DV, Elec NG	133 lb.	14.8 cu. ft.
F4237	DRL3555TEN	55" Linear DV, Lights, Blower, Elec NG	143 lb.	14.8 cu. ft.
F4895	DRL2035TEP	35" Linear DV, Elec LP	101 lb.	9.3 cu. ft.
F4896	DRL3535TEP	35" Linear DV, Lights, Blower, Elec LP	101 lb.	9.3 cu. ft.
F4899	DRL2045TEP	45" Linear DV, Elec LP	126 lb.	11.9 cu. ft.
F4900	DRL3545TEP	45" Linear DV, Lights, Blower, Elec LP	126 lb.	11.9 cu. ft.
F4903	DRL2055TEP	55" Linear DV, Elec LP	133 lb.	14.8 cu. ft.
F4904	DRL3555TEP	55" Linear DV, Lights, Blower, Elec LP	143 lb.	14.8 cu. ft.

Listing Info

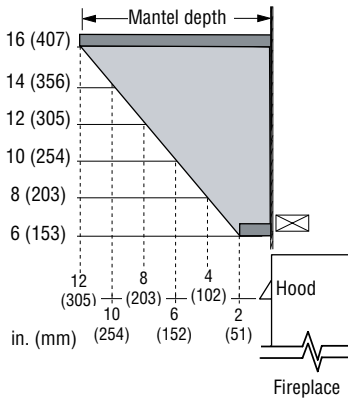


Report No. F19-008

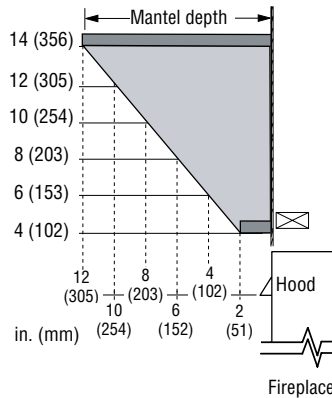
Listed by PFS TECO to - ANSI Z21.88 (in Canada, CSA-2.33), and CAN/CGA-2.17-M91 in both USA and Canada, as a vented gas fireplace heater.

Mantel Clearances

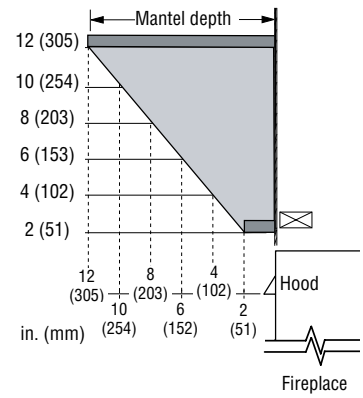
DRL3500 Series Standard Installation



DRL2000 Series Standard Installation



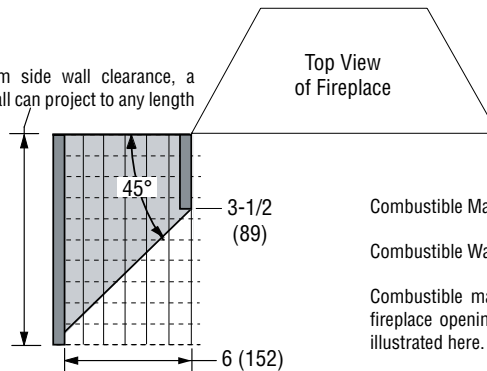
All Models w/Accessory HeatFlo Kit Installed



Clearances

Side Wall Clearances

At 6" minimum side wall clearance, a combustible wall can project to any length



Combustible Materials Allowed In Shaded Area "Safe Zone"

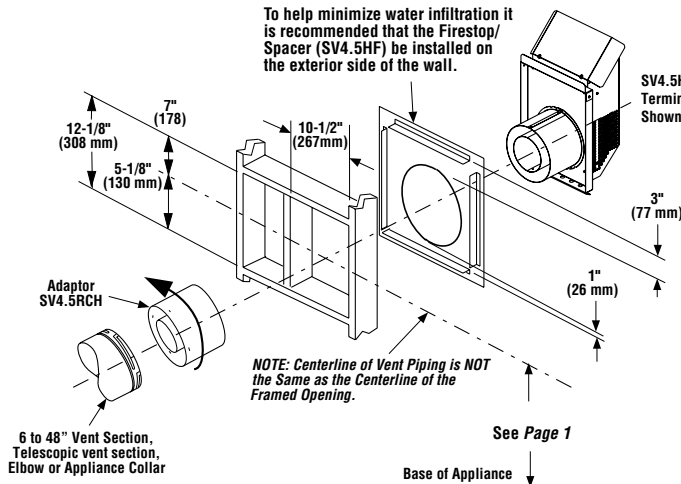
Combustible Walls shown in dark gray

Combustible mantel legs may project beyond either side of the fireplace opening as long as they are kept within the shaded area illustrated here.

Venting

Horizontal Termination

To help minimize water infiltration it is recommended that the Firestop/Spacer (SV4.5HF) be installed on the exterior side of the wall.



NOTE: Centerline of Vent Piping is NOT the Same as the Centerline of the Framed Opening.

See Page 1

Vertical Termination

Vertical Termination Cap SV4.5CGV-1 (rated for high winds and freezing conditions)

* Ceiling Firestop/Spacer (SV4.5VF)

Roof Framing

Min. 10-1/2" (267 mm)
Min. 10-1/2" (267 mm)

Uses 4.5" / 7.5" Secure Vent® Rigid and Secure Flex® Direct-Vent Components

Typical Installations

