

GAS STOVES





Serefina C12500 shown with Midnight Blue enamel finish

The Serefina free-standing stove features a commanding size that sets the mood of any room. Its unique design perfectly captures the tradition and grace of cast-iron stoves. And on those especially chilly winter days, the Serefina produces powerful heating that keeps your home warm and toasty.

OVERVIEW

- ◆ Striking cast-iron construction brings an Old World style to the modern home.
- ◆ Two sizes and four color finishes give you the freedom to create the ideal stove for your home.
- ◆ Deluxe Charred Split Oak log set and glowing embers deliver a realistic fire presentation.
- ◆ Variable flame operation allows you to customize the fire intensity to the occasion.
- ◆ Outstanding heating efficiency for increased comfort and lower operating costs.
- ◆ Ceramic glass for optimum heat transfer and a protective screen*.
- ◆ Add the optional ceramic fiber brick liner kit for a traditional stove appearance.
- ◆ Optional variable speed blower with thermally activated switch to fine tune your heating needs.
- ◆ Several optional thermostat and on-off remote control kits are available for added convenience.
- ◆ 20 year limited warranty.

*All applicable models comply with ANSI Z21.50/88 barrier requirements.

**Square-foot heating capacities are approximations only. Local conditions, such as elevation, wind, vent configuration and choice of fuel will affect overall appearance of the fire and heating performance. Performance can also vary with home design and insulation, climate, condition and type of fuel used, appliance location, burn rate, accessories chosen, chimney installation and how the appliance is operated.

SEREFINA CI2500



Serefina CI2500 shown with Majolica Brown enamel finish.

- BTU INPUT NG:** 25,000 - 38,500
- BTU INPUT LP:** 26,500 - 34,500
- HEATING CAPACITY:** 1,000 – 1,800 square feet
- EFFICIENCY:** 83% (NG) 85% (LP)
- ENERGUIDE (P4) EFFICIENCY:** 67% (NG) 64% (LP)
- BLOWER:** Optional 150-CFM
- REMOTE CONTROL:** Optional

SEREFINA CI1500

- BTU INPUT NG:** 17,500 - 28,000
- BTU INPUT LP:** 20,500 - 27,000
- HEATING CAPACITY:** 900 – 1,200 square feet
- EFFICIENCY:** 85% (NG) 87% (LP)
- ENERGUIDE (P4) EFFICIENCY:** 67% (NG) 65% (LP)
- BLOWER:** Optional 150-CFM
- REMOTE CONTROL:** Optional

OPTIONS

COLORS

The Serefina gas stove is available in a painted black finish and three attractive enamel finishes.



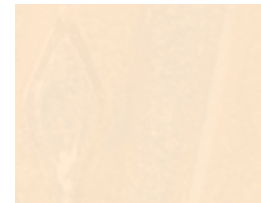
Standard black



Majolica brown



Midnight blue



Ivory white

LINER



Ceramic brick liner kit

REMOTES



Options include a thermostatic touch remote and simple on/off remote, among others.



Epic shown with brush nickel trim finish

The Epic combines the timeless, enchanting appeal of a wood fire with the convenience and ease of gas. With customization opportunities and a huge bay window providing a mesmerizing view of the fire, the Epic integrates seamlessly into your existing home décor. A sophisticated burn technology and a large heat exchanger efficiently produce and transfer heat. The Epic is sure to warm the body as well as the soul.

OVERVIEW

- ◆ Huge bay window provides wide-open viewing for a remarkable fire presentation.
- ◆ Heavy-duty steel construction ensures stability and durability.
- ◆ Integrated cast-iron heat exchanger for dependable, even heating.
- ◆ State-of-the-art burn technology provides the warm glowing appearance of an authentic fire.
- ◆ Beautifully crafted high-definition ceramic fiber log set.
- ◆ Ceramic glass for optimum heat transfer and a protective screen*.
- ◆ Electronic ignition with battery backup provides continued operation in the event of a power outage.
- ◆ Clean, simple lines and finished back allow for placement of stove in open spaces.
- ◆ No hearth pad required when installed a solid combustible surface or carpet with less than 1-1/2" pile.
- ◆ Variable speed blower with thermally activated switch to fine tune your heating needs.
- ◆ Optional remote control kit with manual on/off and thermostatic modes available for added convenience.
- ◆ 20 year limited warranty.

*All applicable models comply with ANSI Z21.50/88 barrier requirements.

**Square-foot heating capacities are approximations only. Local conditions, such as elevation, wind, vent configuration and choice of fuel will affect overall appearance of the fire and heating performance. Performance can also vary with home design and insulation, climate, condition and type of fuel used, appliance location, burn rate, accessories chosen, chimney installation and how the appliance is operated.

EPIC



Epic shown with Black trim finish

BTU INPUT NG: 26,500 - 38,000

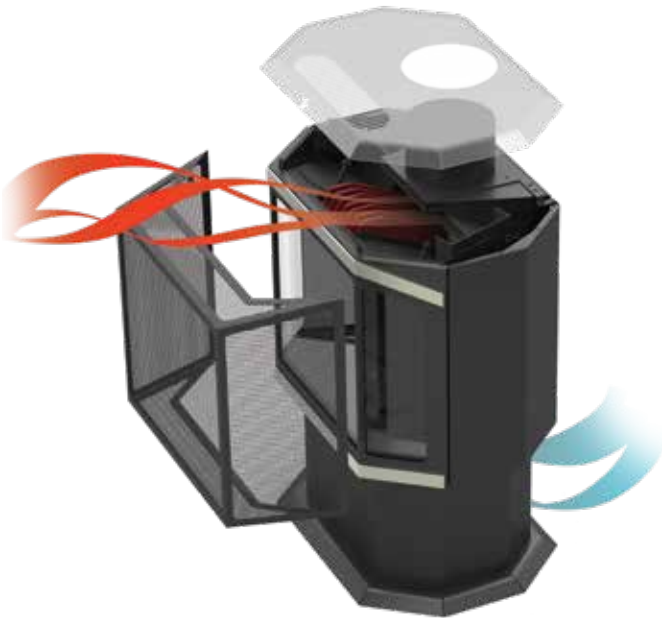
BTU INPUT LP: 28,500 - 38,000

HEATING CAPACITY: 500 – 2000 square feet

ENERGUIDE (P4) EFFICIENCY: 64% (NG) 64% (LP)

BLOWER: 150-CFM

REMOTE CONTROL: Optional



The integrated heavy-gauge steel heat exchanger paired with the standard blower maximize the heat output into the room.

OPTIONS

TRIMS

The trim finish can change the overall presentation of your stove. Choose from distinctive finishes to help create the perfect look and feel.



Black



Brushed Nickel

REMOTE

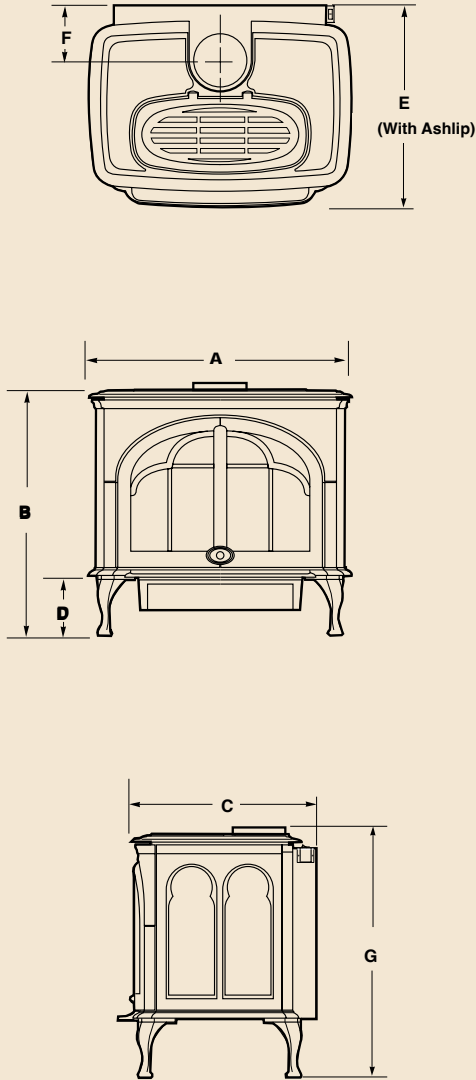


- Manual On/Off and Thermostatic modes

SPECIFICATIONS

SEREFINA

STOVE DIMENSIONS

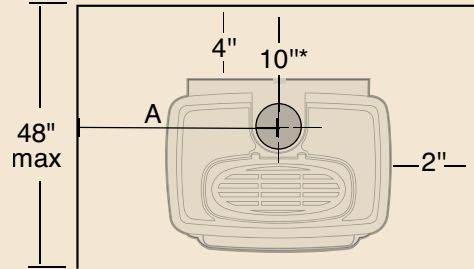


	C1500	C12500
A	24-1/2"	30-1/2"
B	27-1/2"	28-1/2"
C	19"	22"
D	7"	7"
E	20-1/2"	23-1/2"
F	6"	6"
G	28"	29"

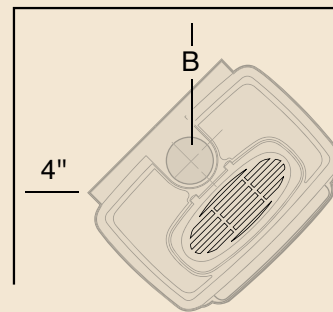
CLEARANCES

When installed directly on carpeting, tile or other combustible material other than wood flooring, the appliance shall be installed on a metal or wood panel extending the full width and depth of the stove body.

SIDE WALL/BACK WALL



CORNER



	C1500	C12500
A	14-1/4"	17-1/4"
B	15-7/8"	19"

Ceiling/Alcove Height: 62" from floor to ceiling. This includes any projections such as shelves, windowsills, mantels, etc., above the appliance.

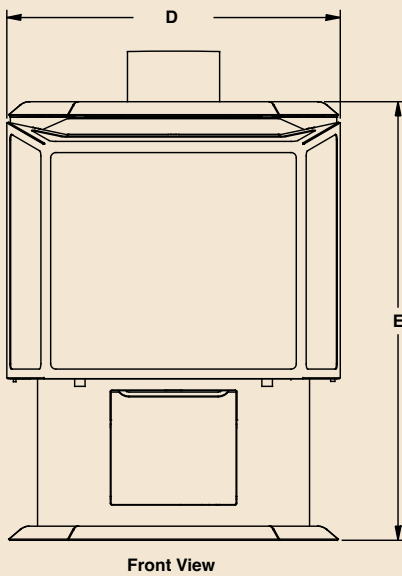
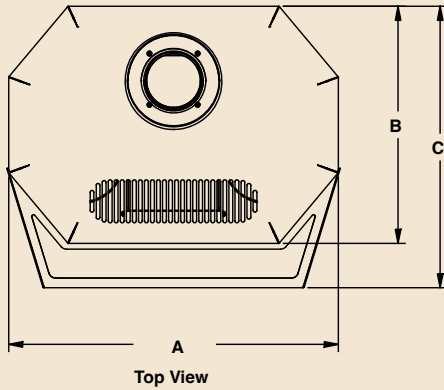
Alcove Width: C1500DVF – 28-1/2".
C12500DVF – 34-1/2".

Alcove Depth: 48" max.

SPECIFICATIONS

EPIC

STOVE DIMENSIONS

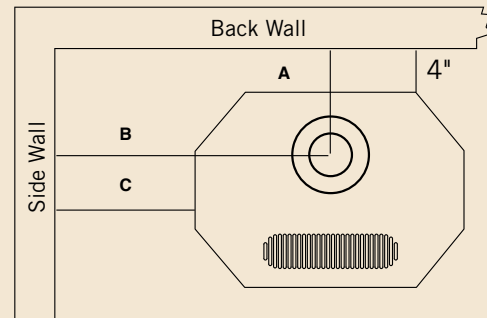


	EPIC
A	23-1/2"
B	17"
C	20"
D	23-3/4"
E	31-1/4"

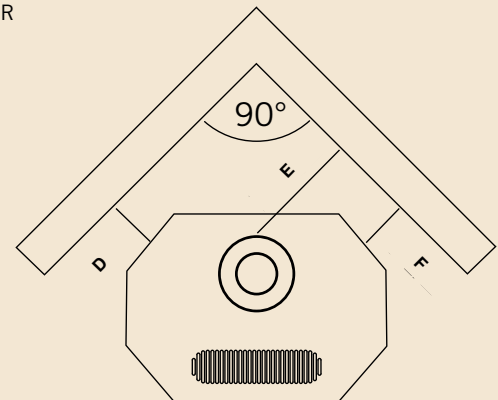
CLEARANCES

This appliance must be installed in accordance with local building codes. These specifications are for reference only. Use installation manual for actual installation.

SIDE WALL/BACK WALL



CORNER



	EPIC
A	9-3/8"
B	24-1/2"
C	12-1/2"
D	4-1/2"
E	10-1/2"
F	4-1/2"

IMPORTANT NOTES:

AS WITH ANY HEATING APPLIANCE, FIREPLACE OR STOVE, THIS APPLIANCE IS EXTREMELY HOT DURING OPERATION. READ AND UNDERSTAND ALL OPERATING INSTRUCTIONS BEFORE USING THIS APPLIANCE. FOR FURTHER INFORMATION, CONSULT YOUR DEALER. DIAGRAMS, ILLUSTRATIONS AND PHOTOGRAPHS ARE NOT TO SCALE—CONSULT INSTALLATION INSTRUCTIONS. PRODUCT DESIGNS, MATERIALS, DIMENSIONS, SPECIFICATIONS, COLORS AND PRICES ARE SUBJECT TO CHANGE OR DISCONTINUANCE WITHOUT NOTICE.

*Efficiency varies slightly with various pipe configurations

**Square-foot heating capacities are approximations only. Local conditions such as elevation, wind, vent configuration and choice of fuel will affect overall appearance of the fire and heating performance. Performance can also vary with home design and insulation, climate, condition and type of fuel used, appliance location, burn rate, accessories chosen, chimney installation and how the appliance is operated.



785737M 04/23

© 2023 Innovative Hearth Products

IRONSTRIKE.US.COM



Canada

ENERGUIDE

Look for the **ENERGUIDE**
Gas Fireplace Energy
Efficiency Rating in the brochure
Based on CSA P.4.1-2015