

GF 400 DV IPI Sebago Illustrated Parts Breakdown

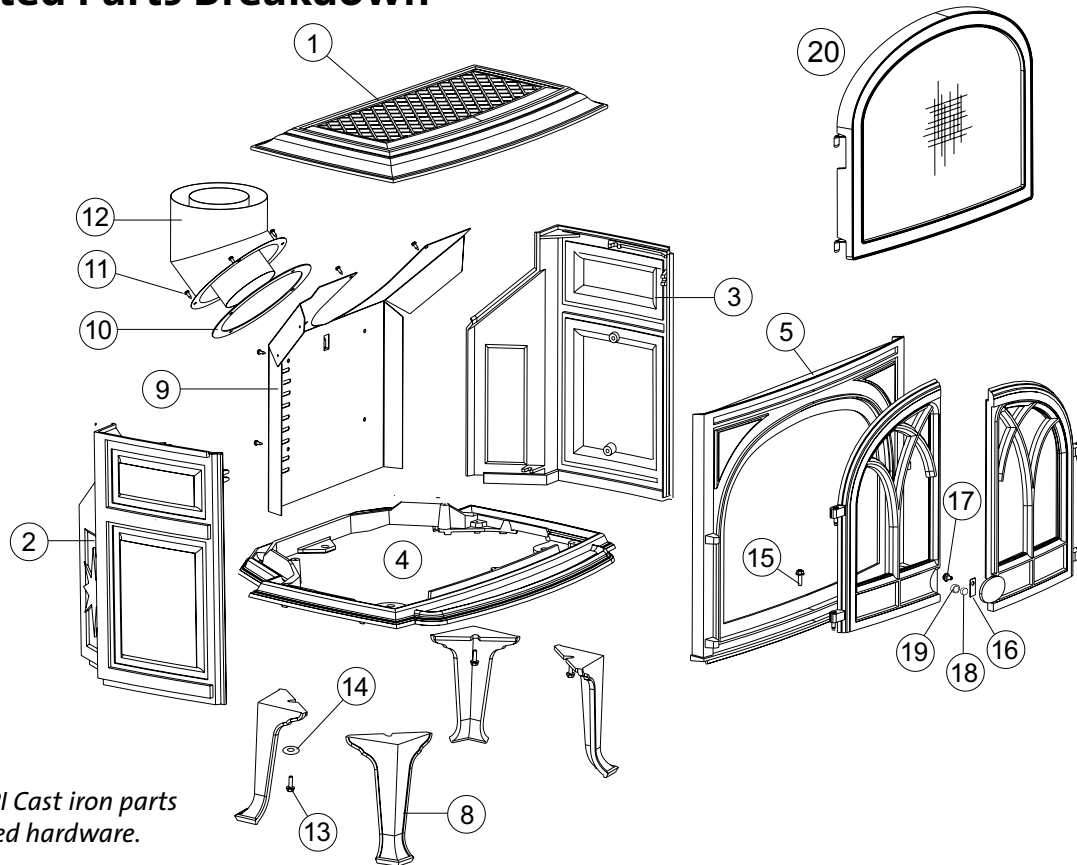


Figure 68.
GF 400 DV IPI Cast iron parts
and associated hardware.

Cast Iron Parts	Matte Black Paint	Blue Black Enamel	Ivory Enamel	Brown Majolica Enamel	Green Majolica Enamel
1. Top Plate	10396292	10396227	10396229	10396247	10396249
2. Left Side Plate	10391892	10421727	10421729	10421747	10421749
3. Right Side Plate	10391992	10421827	10421829	10421847	10421849
4. Bottom Plate	10396392	10396327	10396329	10396347	10396349
5. Front, Complete	15565492	155660	155672	15565447	n/a
After SN 33402	15772192	157722	155672	157723	10192549
13. Legs, (4)	10192592	10192527	10192529	101925	n/a
20. Safety Barrier	157713				
9. Rear Shroud		22498992			
10. Gasket, Collar		129118			
11. Screw, #8 x 1/2", 4		117917			
12. Vent Collar, 4/6		129126			
13. Bolt, M6 x 20, 4		117117			
14. Fender Washer, 4		120004			
15. Bolt, M6 x 20		117117			
16. Magnet Plate		22498492			
17. Bolt, M6 x10		9962			
18. Magnet		225355			
19. Magnet Cover, Neoprene		225338			
Silicone Barrier Bracket Cap, 4		225474			

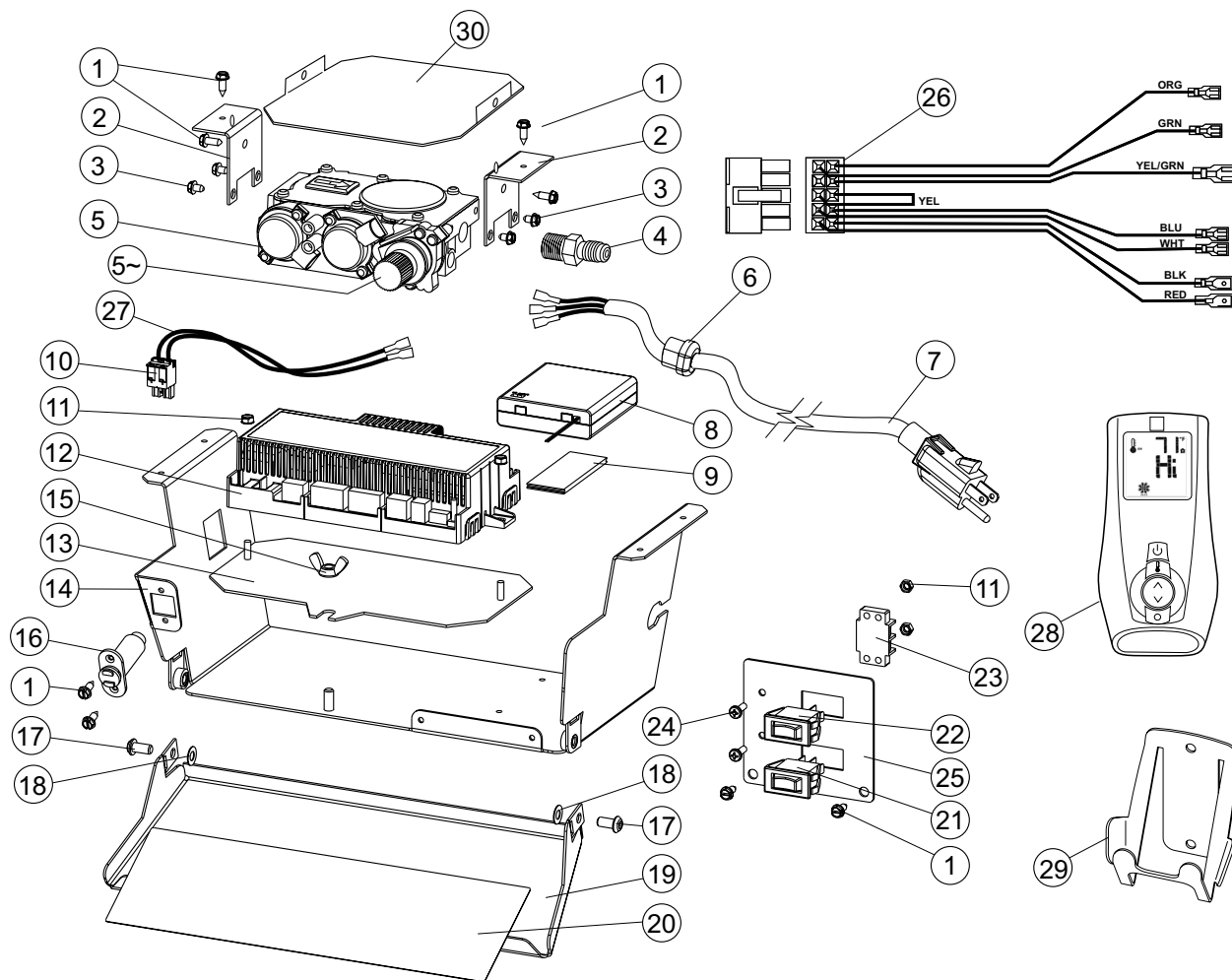


Figure 69.
GF 400 DV IPI Valve Assembly and IFC Components.

No.	Part No.	Description
1.	117917	Screw, #8 x 1/2" SL Blk Oxide
2.	224904	Valve Bracket
3.	118214	Screw, #8x 1/4" Taptite
4.	223215	Adaptor, 3/8" NTP x 3/8" Flare.
5.	224972	Valve w/ NG Regulator, Manual, 50%TD
5x.	224795	Regulator, Manual / LP , 50%TD
	224914	Regulator w/ Stepper Motor / NG, 50% TD
	224915	Regulator w/ Stepper Motor / LP, 50% TD
6.	117951	Wire Strain Relief, Heyco 7P-2 Lg
7.	157492	Power Cord, 18 AWG Grounded - 10 ft.
8.	157265	Replacement Back-up Battery Box (4 AA)
9.	118257	Hook & Loop Tape, 1" wide - Self adhesive
10.	224794	Connector, 2 Pin / IPI Burner
11.	118055	Kepnut, M4 Ext. Tooth Lockwasher
12.	224780	Proflame 2 IFC Control Board, Complete
13.	224911	IFC Mounting Plate

No.	Part No.	Description
14.	22477092	Control Bracket
15.	117975	Wing Nut, M6 Zinc
16.	224145	Magnetic Catch - Push to open
17.	9962	Bolt, Hex Hd Serr Flng M6 x 10mm
18.	117588	Hinge Washer, M6 - 12mm OD x 6mm ID
19.	22476992	Control Door
20.	224952	Instruction Label, Control Door - GF IPI Series
21.	220703	Rocker Switch, SPDT - Plain
22.	120517	Rocker Switch, SPST - Plain
23.	129154	Terminal Block, 2 Pole - 77 Series
24.	117921	Screw, Pan Hd Ph M4 x 12mm Blk Oxide
25.	224781	Control Faceplate, Silkscreened - GF IPI Series
26.	157493	Replacement IPI Wire Harness - GF IPI Series
27.	157494	Replacement Burner Control Wire Harness
28.	157495	Replacement Multifunction Remote / Black
29.	223951BKP	Replacement Remote Wall Bracket / Black PC
30.	225051	Valve Heat Shield

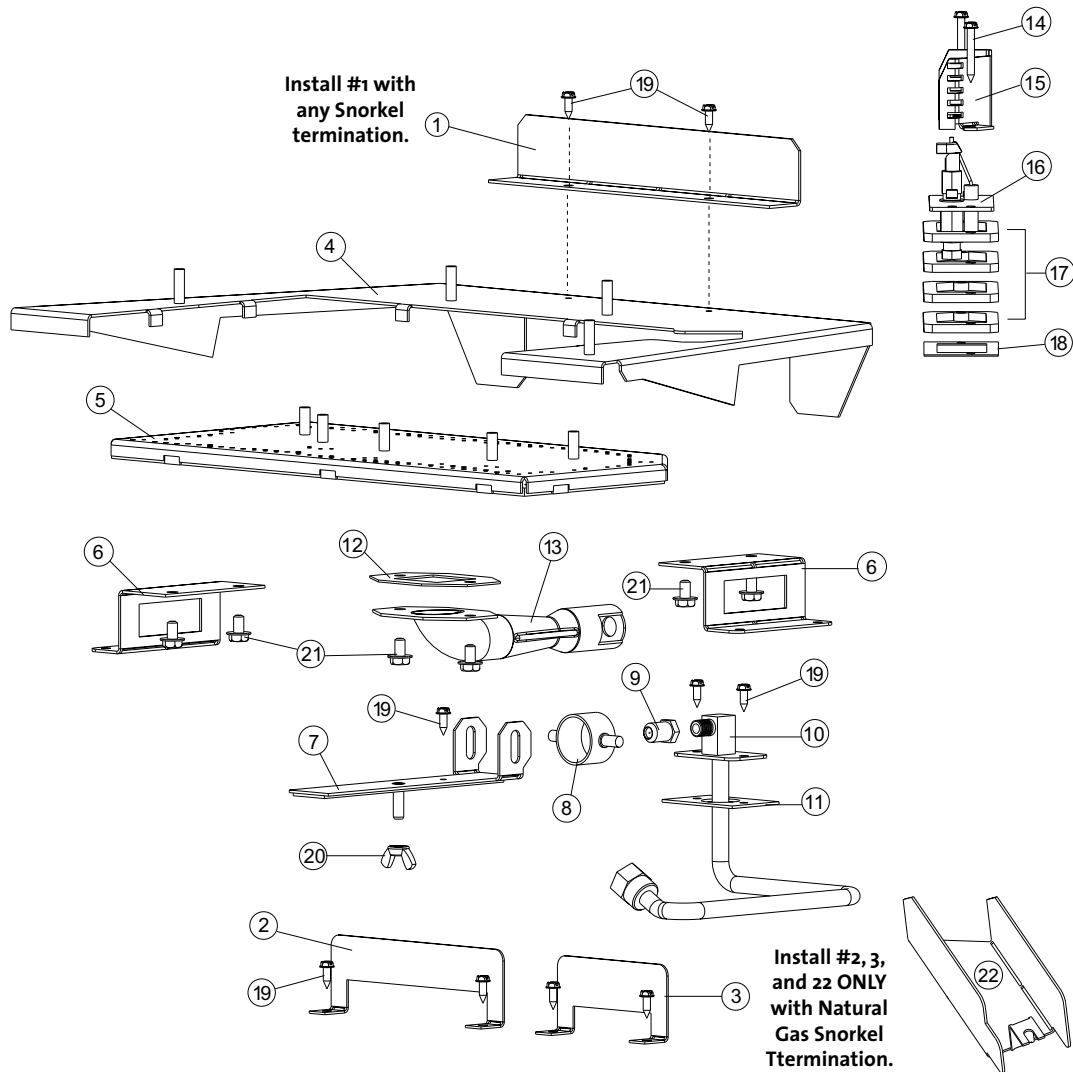


Figure 70.
GF 400 DV IPI Pilot & Burner assembly and associated hardware.

No.	Part No.	Description	No.	Part No.	Description
1.	22503092	Snorkel Plate, Min. Vent	12.		Gasket, Burner Venturi, Steel Burner
2.	22504092	Burner Air Deflector, Long (NG SNORKEL ONLY)	13.		Venturi Tube Weldment
3.	22504192	Burner Air Deflector, Short (NG SNORKEL ONLY)	14.	118205	Screw, Stl Hex Hd Self-drill, #8 x 1.25"
4.	22499692	Burner Skirt	15.	225060	Pilot Shield
5.	157600	Replacement Burner Assy, includes #5, 12, 13, & 21	16.	224785	Pilot, NG/LP, Dual-Fuel Convertible
6.	225022	Burner Support	17.	224791	Spacer, Pilot Assembly
7.	224758	Air Shutter Plate	18.	129670	Gasket, Pilot Assembly
8.	224903	Air Shutter	19.	117917	Screw 8 x 12 1/2 SL Blk Oxide
9.	225042	Orifice, #36 / NG	20.	117975	Nut, Wing M6 Zinc
	045025	Orifice, #52 / LP	21.	9962	Bolt, Hex Cap M6x10 DIN 933 8.8 Ser Flange Blk
10.	223231	Orifice Holder, 12.5" Tube	22.	225059	Pilot Tray (NG SNORKEL TERMINATION ONLY)
11.	222280	Gasket, Drop In Orifice Holder			

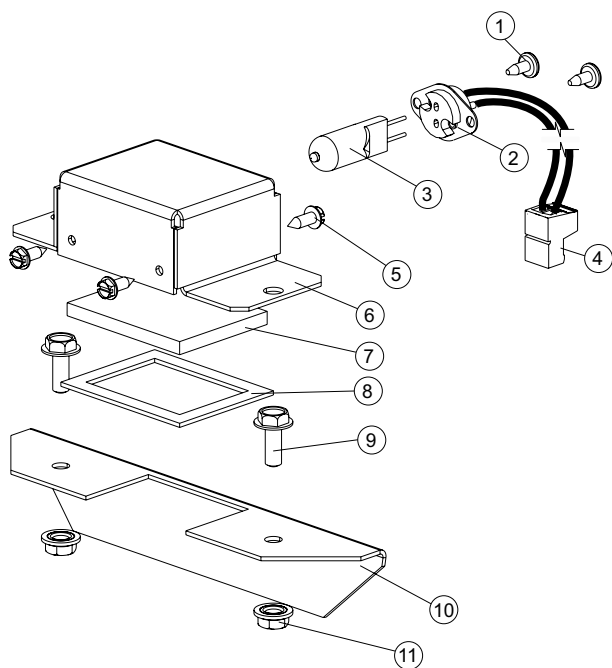


Figure 71.
GF 400 DV IPI Accent Lamp Assembly

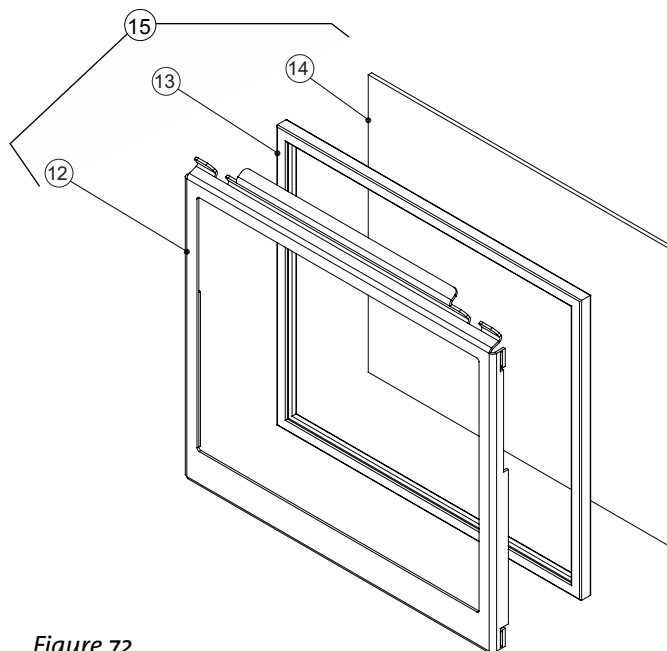


Figure 72.
GF 400 DV IPI Glass Assembly

No.	Part No.	Description
1.	117967	Screw, Pan Head #7 x 3/8 PH Zinc
2.	157601	Replacement Lamp Wire Harness
3.	222943	Light Bulb, 130 Volt, 50 Watt
4.	224796	Connector, 2 pin, IPI Accessories
5.	117917	Screw, 8 x 1/2 SL Blk Oxide
6.	22476392	Light Box, Delay Door Mount
7.	222974	Glass, Ceramic, Light Fixture
8.	222977	Gasket, Light Cover
9.	99625	Bolt, Hex Head Serr Flange M6 x 16 8.8 Blk
10.	22476792	Light Shade, Delay Door Mount
11.	117968	Nut, M6 Serrated Flange Plain
12.	22493592	Glass Frame
13.	129124	Gasket
14.	220576	Glass Panel
15.	155599	Replacement Glass & Gasket, inc. spare clips

Replacement Parts Not Illustrated:

Delay Relief Door Gasket	224764
Brick Panel Retainer	22493192

GF 400 DV IPI Accessories	Part No.
Premium Upgrade Kit / NG*	157498
Premium Upgrade Kit / LP*	157499
Wall Thermostat	750003
Accent Lamp Kit (requires Multifunction Remote)	157469
Blower Kit with Multifunction Remote	157470
Flame Control Kit / NG (requires Multifunction Remote)	157496
Flame Control Kit / LP (requires Multifunction Remote)	157497
Multifunction Remote Control	157495
Reversible Brick Kit (Antique Red & Brownstone)	157603
Screen	157448
Short Leg Kit / Matte Black	350074
Short Leg Kit / Blue Black Enamel	350075
Short Leg Kit / Ivory Enamel	350117
Short Leg Kit / Brown Majolica Enamel	351174
Short Leg Kit / Green Majolica Enamel	361056
Leg Leveler	156096
Replacement Log Set	157602

* Premium Upgrade Kits include:

- Blower Kit w/ Multifunction Remote
- Accent Lamp Kit
- Flame Control Kit / NG or LP