



HBZDV4736

ZERO CLEARANCE DIRECT VENT GAS FIREPLACE



THE ULTIMATE IN DESIGN, ENGINEERING & QUALITY

Model HBZDV4736N Zero Clearance Direct Vent Natural Gas Fireplace, LOGF36 Log Set with VLBIT4 Log Bits, HB47CVCK Designer Clean View Circulating Kit, and Optional HB47RLH Herringbone Brick Liner.



Find all detailed HBZDV4736 manuals.

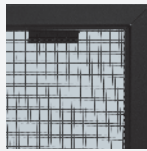
2340 Logan Avenue
Winnipeg, Manitoba, Canada R2R 2V3
Phone: (204) 632-1962 Fax: (204) 632-1960
www.kingsmanfireplaces.com

Model	HBZDV4736N/NE	HBZDV4736LP/LPE
Flue	Top	Top
Fuel	Natural	Propane
Input Max.	40,000 BTU	36,000 BTU
Input Min.	27,000 BTU	30,000 BTU
FE (P.4.1-15)	60.39% / 61.88%	53.79% / 54.9%

The ultimate in Zero Clearance Direct Vent Fireplaces for new home construction or renovation, and your best choice for installation anywhere throughout your home.

STANDARD FEATURES

- Millivolt or IPI valve system allows operation during a power failure with Hi/low heat and flame adjustment
- Dual burner with Realistic Flame Pattern
- A flame sensor that constantly monitors the pilot flame
- Safety Screen Barrier



Safety Screen Barrier

OPTIONAL FEATURES

Designer Clean View Circulating Kit

No Louvers Required

Grills

Available in Black

Fan Kit

Heat activated with variable speed control

Brick Refractory Liner

Traditional, Herringbone

Thermostat

Wall Mount Millivolt Thermostat or Programmable Thermostat

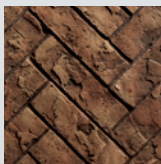
Remote Control

On/Off, Thermostat On/Off, Thermostat On/Off modulating, Thermostat On/Off modulating and fan control

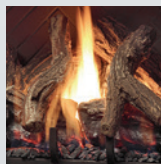
STYLING



Traditional Brick Liner RLT



Herringbone Brick Liner RLH



LogF36



PF1 or MV

CORNER FRAMING DIMENSIONS

LOUVERED

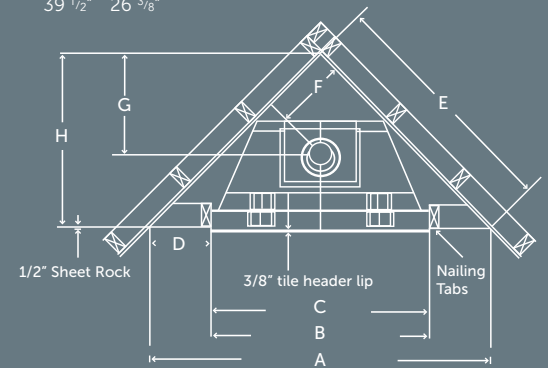
	HBZDV47
A	65 1/4"
B	47 3/8"
C	47 1/16"
D	8 15/16"
E	46 1/8"
F	13 15/16"
G	19 11/16"
H	32 5/8"

CLEAN VIEW CIRCULATING KIT (CVCK)

	HBZDV47
	70 3/16"
	48 3/8"
	48 1/16"
	10 7/8"
	49 5/8"
	13 15/16"
	19 11/16"
	35 1/16"

VIEWING AREA	Width	Height
HBZDV47	39 1/2"	26 3/8"

CORNER FRAMING DIMENSIONS



UNIT AND FRAMING SPECIFICATIONS (IN.)

Top Flue Models	Height Actual	Height Framing	Width Actual	Width Framing	Depth Actual	Depth Framing
LOUVERS HBZDV47	43 1/16"	43 1/16"	47 1/16"	47 3/8"	19 7/16"	19 1/2"
CLEAN VIEW CIRCULATING KIT (CVCK) HBZDV47	49"	49 1/8"	48 1/16"	48 3/8"	21 15/16"	22"

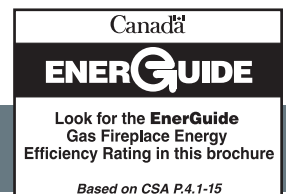


FOR CALIFORNIA RESIDENTS ONLY:

WARNING! This product can expose you to chemicals including Carbon Monoxide, that is an externally vented by-product of fuel consumption, which is [are] known to the State of California to cause birth defects or other reproductive harm. For more information, visit www.P65Warnings.ca.gov.

*Components may have to be ordered separately to create a complete unit. Discuss with your local Kingsman dealer for clarification.

Kingsman Fireplaces maintains a program of continuous testing, refinement and improvements of all its products. Some aspect of units shown here may be changed at any time without notice or obligation. Certification: ANSI Z21.88-2017 • CSA 2.33-2017, CSA 2.17-2017 Vented Gas Fireplace Heater.



CRAFTED ENTIRELY IN CANADA, EACH KINGSMAN FIREPLACE IS BUILT TO THE HIGHEST STANDARDS AND MADE TO LAST.

Printed in Canada
08/2023 - B099