

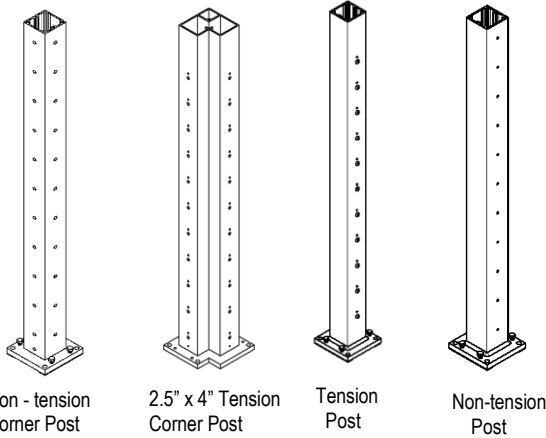
Bella Cavo (Post Mount)

(Style C90 & C91)

Installation Instructions



- It is the responsibility of the installer to meet all code and safety requirements, and to obtain all required building permits. The installer should determine and implement the installation techniques appropriate for each unique installation situation. Digger Specialties, Inc. and its distributors shall not be held liable for improper or unsafe installations.
- These instructions must be followed exactly as written and the materials used must be exactly as shown in the instructions. Any deviation from the instructions or variation in the materials used/installed may result in an unsuccessful installation and will void the warranty.



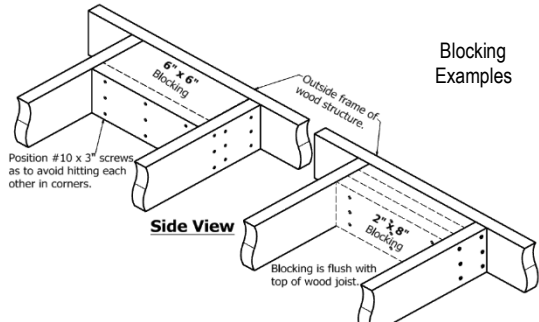
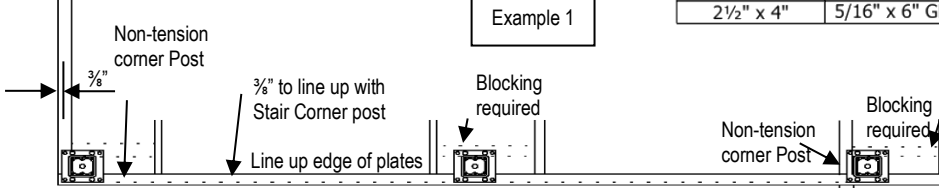
Note: It is not recommended to use a 4 X 2.5\"/>

Stair & Level Post Mount (Single Post)

- Begin 1st by placing your Stair post. It is important that the stair post line up with each other.
- Determine location of corner post at top of stairs. See (Example 1) below.
- Add backer blocking where required to support post. See chart below.
- To center fasteners on the outer rim board of a 2x8 or 2x10 deck frame, place it $\frac{3}{8}$ \"/>

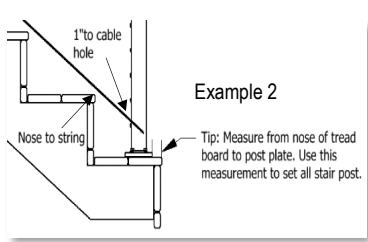
Residential		Commercial	
Post Size	Lag / equivalent	Post Size	Lag / Equivalent
2 1/2\"/>			

Depth of blocking should exceed the fastener penetrating your specific installation.

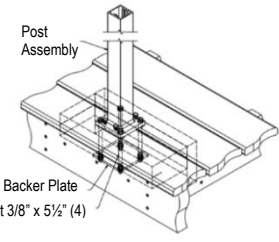


Note: Max straight run between tension post is 100 feet. For each corner posts reduce this by 10%. **Example:** Two tension posts plus one non-tension corner post will be 90 feet. Max number of corners allowed with 90° angle is two. Max number with 45° angle is four. A tension corner post can be used to break up runs when not at the top of stairs.

Stair post can be identified with higher placement of bottom cable hole. ($\frac{1}{4}$ \"/>



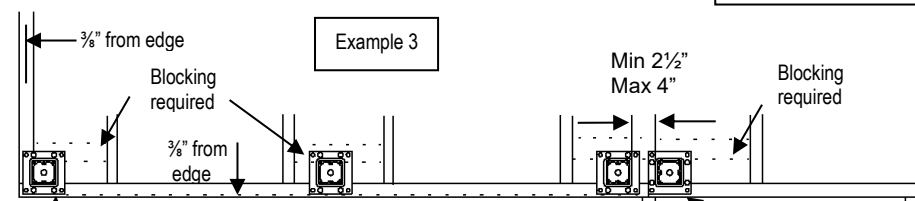
- Position post on the steps with a string approximately 1\"/>
- Measure from nose of tread board to post plate. Use this measurement to set all stair posts.
- All post on deck will be placed $\frac{3}{8}$ \"/>
- Attach 2-piece flairs to all posts.
 - Separate two-piece flair.
 - Slide u-shaped flair around bottom of post.
 - Use rubber mallet to tap snap piece to flair.



If doing a bolt through method for post install, placement will be different. When using lag screw method use $\frac{3}{8}$ \"/>

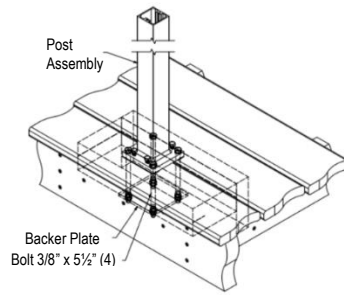
Stair & Level Post Mount (Double Post)

Post placement will be the same if using 45° angle post on deck .



If doing a bolt through method for post install, placement will be different. When using lag screw method use $\frac{3}{8}$ \"/>

Note: Max straight run between tension post is 100 feet. For each corner posts reduced this by 10%. **Example:** Two tension posts plus one non-tension corner post will be 90 feet. Max number of corners allowed with 90° angle is two. Max number with 45° angle is four. A tension corner post can be used to break up runs when not at the top of stairs.



Bella Cavo (Post Mount)

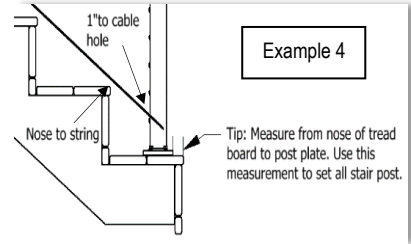
(Style C90 & C91)

Installation Instructions

- It is the responsibility of the installer to meet all code and safety requirements, and to obtain all required building permits. The installer should determine and implement the installation techniques appropriate for each unique installation situation. Digger Specialties, Inc. and its distributors shall not be held liable for improper or unsafe installations.
- These instructions must be followed exactly as written and the materials used must be exactly as shown in the instructions. Any deviation from the instructions or variation in the materials used/installed may result in an unsuccessful installation and will void the warranty.

Stair & Level Post Mount (Double Post) con't

- Begin 1st by placing your Stair post. When using a double tension post at the top of the stairs, post placement minimum apart is 2½". Maximum between post is 4".
- Determine location of tension post at top of stairs. See (Example 3).
- Add backer blocking where required to support post.
- Position post on the steps with a string approximately 1" from nose of steps. String needs to line up with cable hole on each post. (Example 4)
- Measure from nose of tread board to post plate. Use this measurement to set all stair posts.
- All post on deck will be placed ⅜" from plate to edge of deck framing.

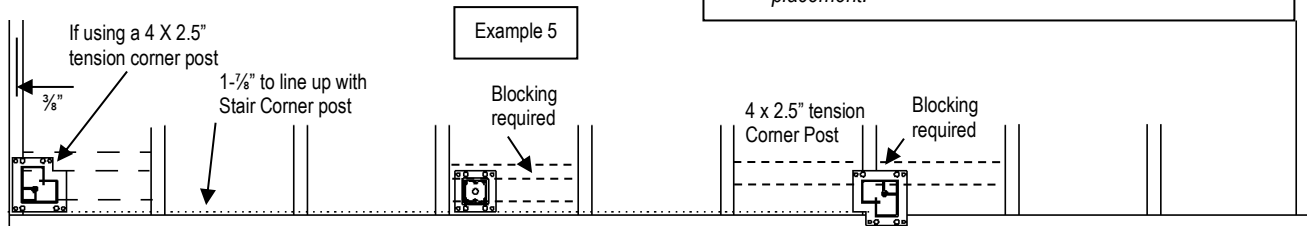


- Attach 2-piece flairs to all posts.

- Separate two-piece flair.
- Slide u-shaped flair around bottom of post.
- Use rubber mallet to tap snap piece to flair.

Stair & Level Post Mount (4 x 2.5" Corner Post)

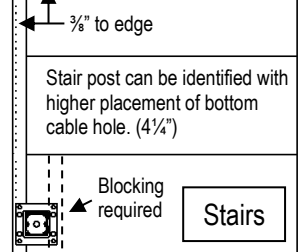
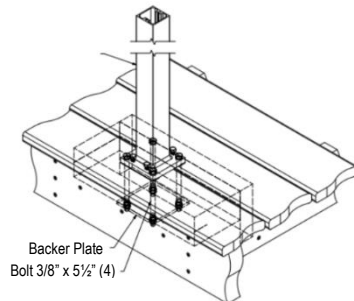
Note: If you use a 4 x 2.5" tension corner post at the top of the stairs, follow instructions below is **critical** for post placement.



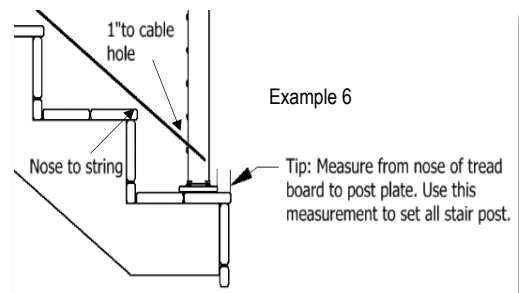
Edge of Deck framing Line up edge of plates

If doing a bolt through method for post install, placement will be different. When using lag screw method use ⅜" x 5" minimum length with at least 4" of blocking.

Note: Max straight run between tension post is 100 feet. For each non-tension corner posts reduced this by 10%. **Example:** Two tension posts plus one non-tension corner post will be 90 feet. Max number of corners allowed with 90° angle is two. Max number with 45° angle is four.



- Begin 1st by placing your Stair post. This step is important when using a 4 x 2.5" tension corner post at the top of your stairs. This is required so the non-tension corner post and non-tension post will line up with corner post at top of stairs.
- Determine location of corner post at top of stairs. See (Example 5) above.
- Add backer blocking where required to support post.
- To center a fastener on the outer rim board of a 2x8 or 2x10 deck frame, place it ⅜" from the outer edge. For the non-tension corner post and non-tension post to align with the top stair's corner post, measure 1-7/8" from the deck framing's edge.
- Position post on the steps with a string approximately 1" from nose of steps. String needs to line up with cable hole on each post. (Example 6)
- Measure from nose of tread board to post plate. Use this measurement to set all stair posts.
- All other post on deck will be placed ⅜" from plate to edge of deck framing.
- Attach 2-piece flairs to all posts.
 - Separate two-piece flair.
 - Slide u-shaped flair around bottom of post.
 - Use rubber mallet to tap snap piece to flair.



Care and Cleaning

Remove all particles and residue from Westbury aluminum components by referring to the Care and Cleaning requirements on the DSI website. Scan Below:



Warranty

For product Warranty and Registration please scan below:

