

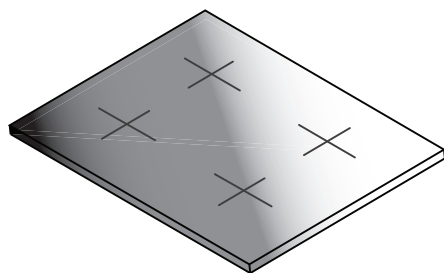
Worktop

Hob Cutout - Fitting Guide

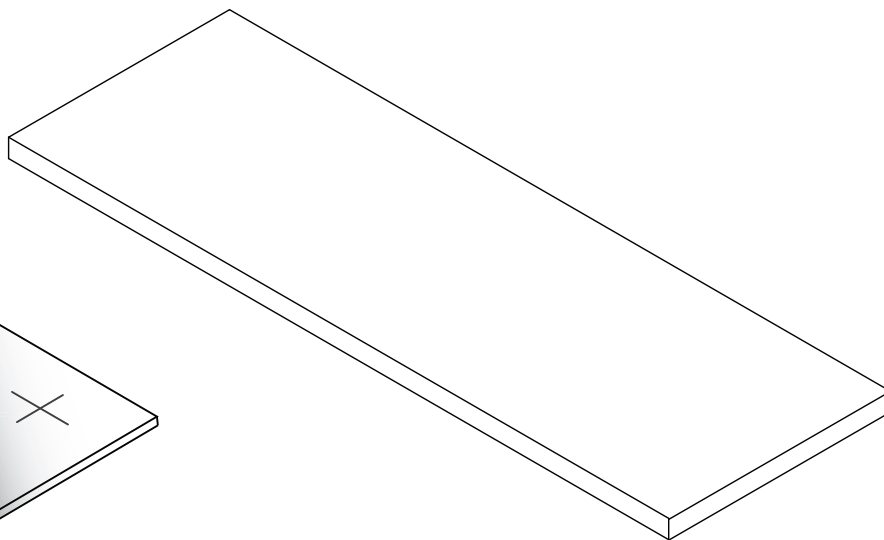
Parts Required



Heat Tape

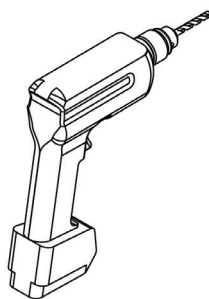


Hob
(Hob models will vary)

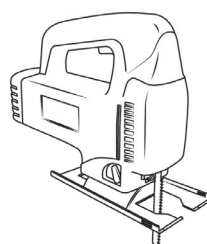


Worktop

Tools Required



Drill



Jigsaw

When cutting the worktop for the hob cutout, always refer to the manufacturer's instructions because every hob is unique. Review the kitchen plan and the manufacturer's instruction for the hob placement.

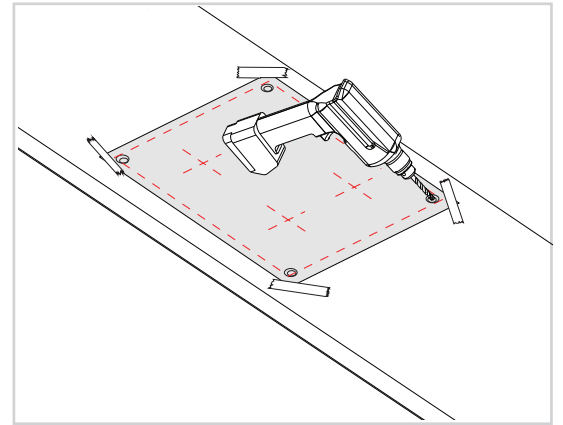
Most hobs will come with a template sheet which should be used when creating the cutout. Use low adhesive masking tape to secure the template to the worktop. If there is no template sheet supplied refer to the installation manual.

Remember to take care when unpacking. Please keep your workspace clean, clear and tidy when working. This will help keep all items safe from any damages. Any un-needed cardboard or plastic should be flattened down and placed in the bin.

Drilling the worktop

Check the kitchen plan and the manufacturer's instructions for the sink placement. Position the sink template on the worktop using low adhesive masking tape.

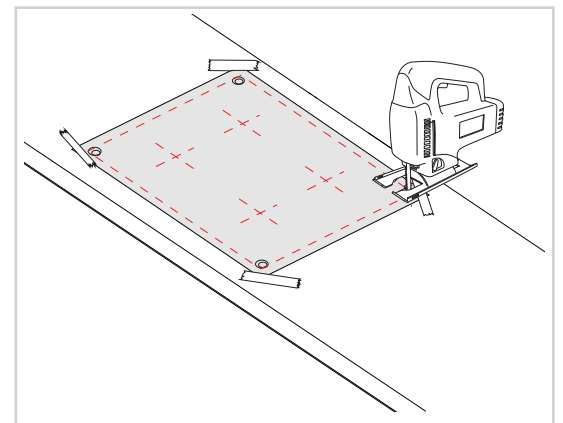
Drill into each corner of the template. Make sure that the holes stay inside the template.



Cutting the worktop

Using a jigsaw, cut along the template marking starting the cut in one of the drilled holes.

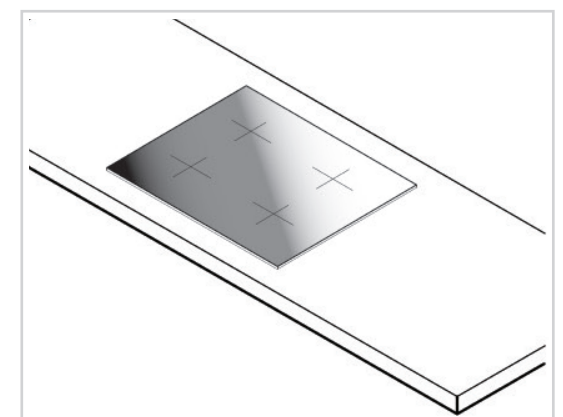
Make sure the worktop is fully supported while cutting.



Checking the dimensions

Remove the masking tape. Confirm the dimensions of the cut out by temporarily putting the hob into place.

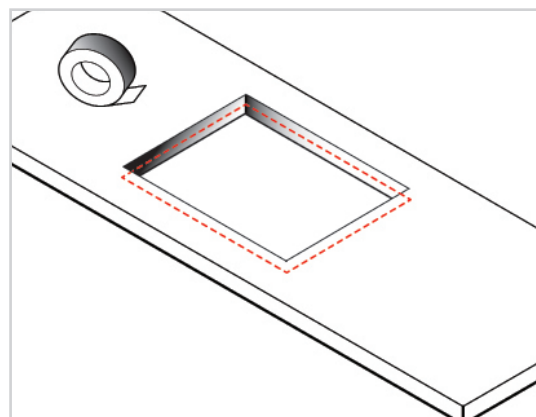
If any adjustments are required, make them now.



For timber worktops, ensure any raw edges are resealed with 2 coats of oil before continuing.
Refer to the timber worktop installation guide for additional information.

Adding the heat tape

Add heat tape by peeling off the back and sticking the tape onto the cut edges of the hob cut out.



When lifting the worktop into position, make sure it is fully supported.

Positioning the hob

Place the worktop back into position and insert the hob into the cut out.

Refer to the hob's user manual for additional installation instructions.

