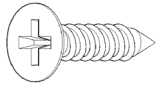


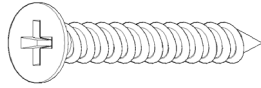
## Decorative Moulded Plinth Installation Guide

FI.PK.FIT.221

### Fitting pack contents:



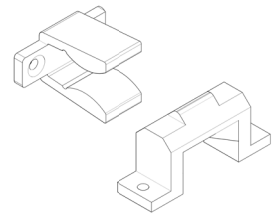
x48  
15mm Screw



x24  
40mm Screws

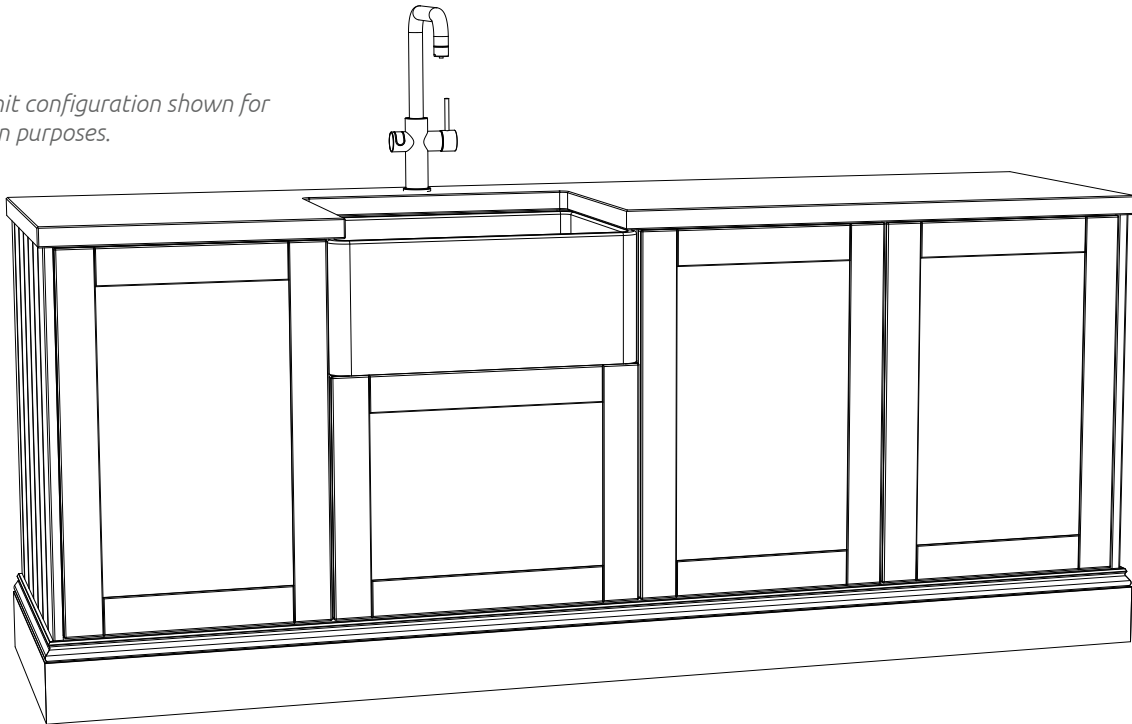


x12  
Cover Stickers

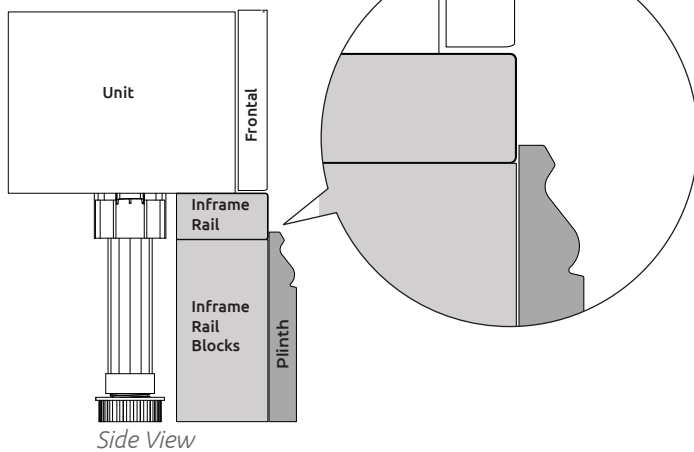


x8  
Plinth Spring Clips

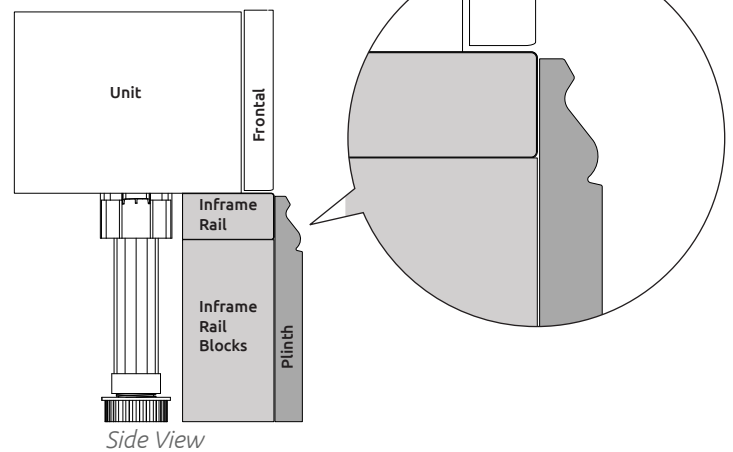
Sample unit configuration shown for illustration purposes.



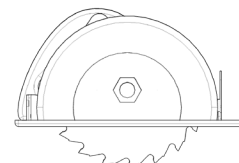
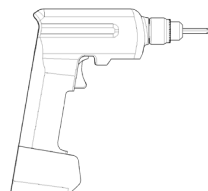
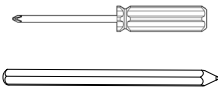
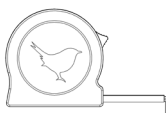
### Inframe Kitchen



### Standard Kitchen



### Tools required:



## Decorative Moulded Plinth Installation Guide

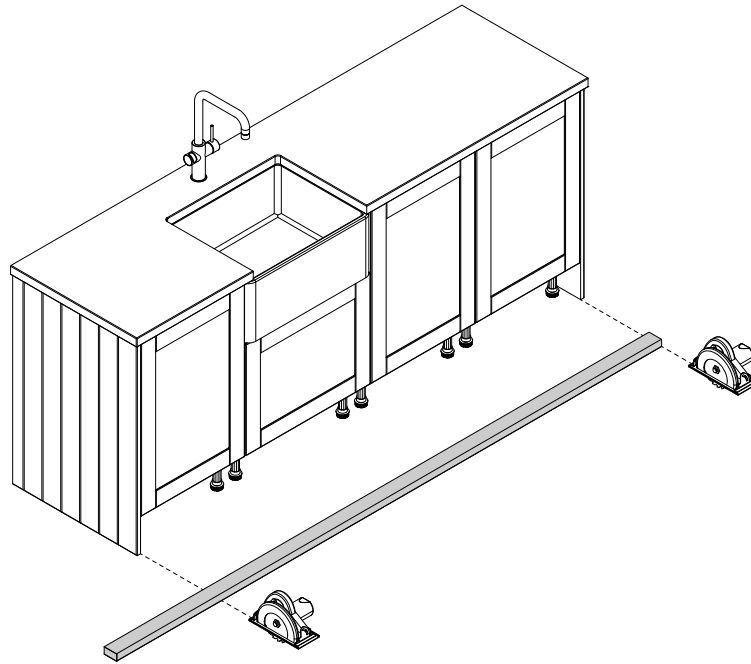
FI.PK.FIT.221

**For Inframe kitchens use existing bottom rail.**

### Step 1.

Measure the distances between unit partitions e.g. decor panels or fillers.  
Cut lengths of the Inframe rail for the measured dimensions.

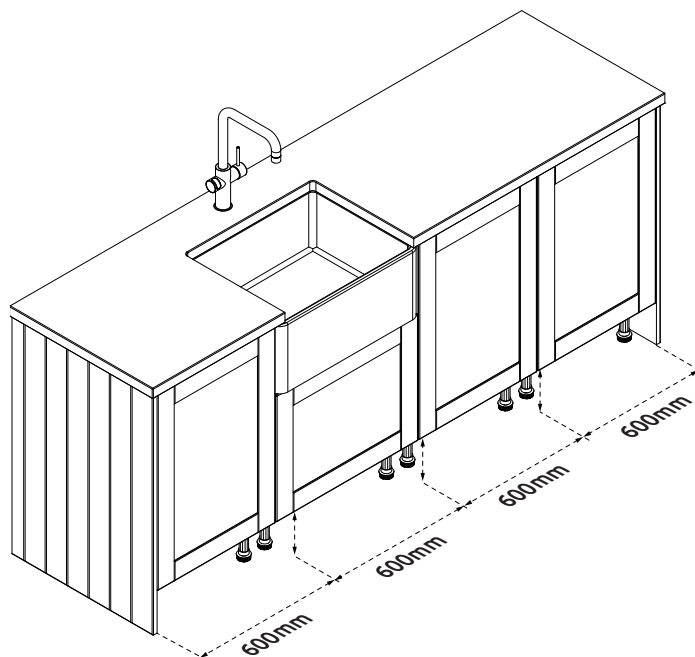
**See Step 4 for integrated dishwashers.**



### Step 2.

Measure the distance from the bottom of the units to the floor at approximately 600mm intervals. (Not required at locations where there are unit partitions / décors). Remove 30mm (thickness of horizontal rail from step 1) from the measurements taken and then cut blocks from excess Inframe rail.

**A block is required on the corner of the unit to return the plinth if there is no decor.**

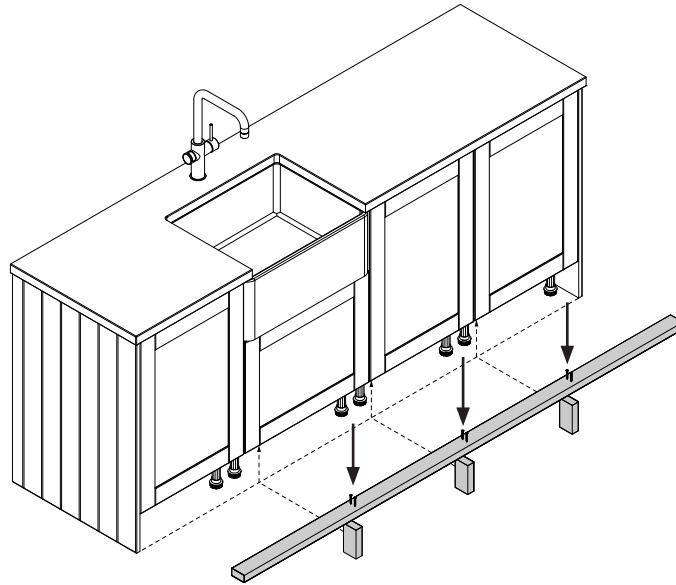


## Decorative Moulded Plinth Installation Guide

FI.PK.FIT.221

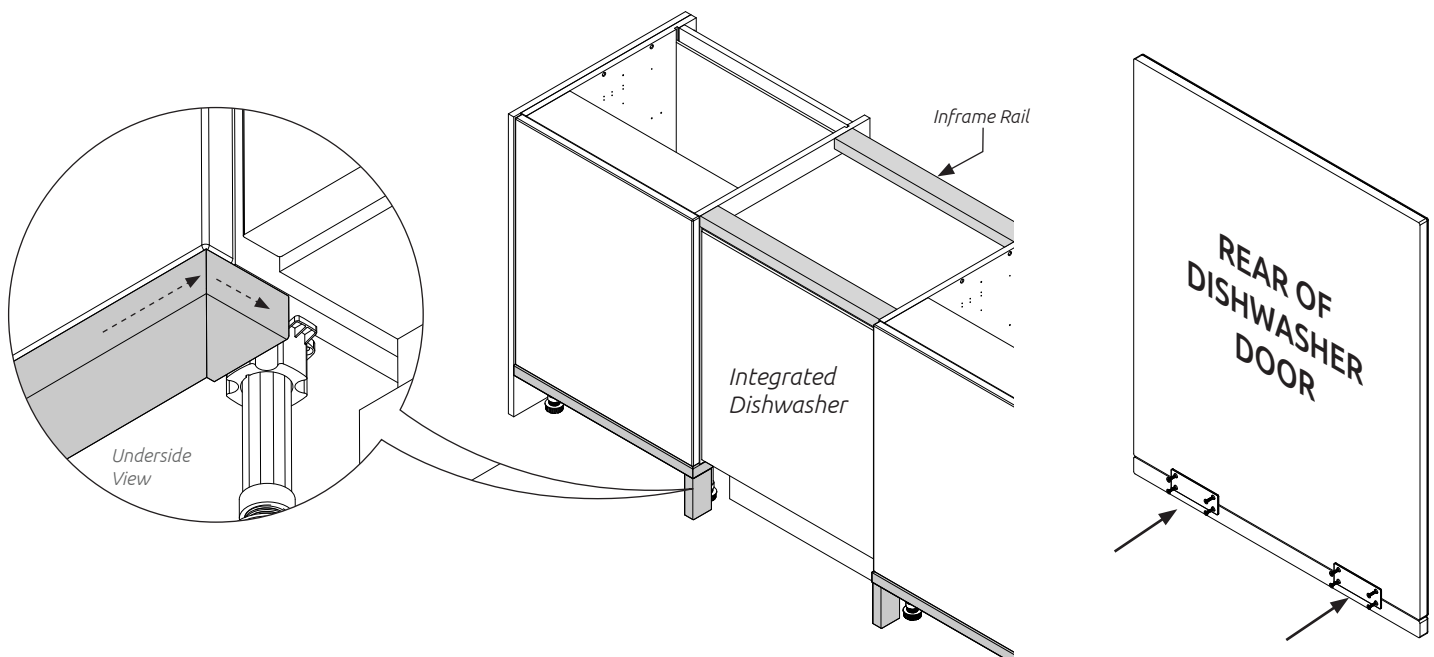
### Step 3.

Position lengths of Inframe rails in locations that the measurements were taken from. Attach the vertical blocks of Inframe rail to the horizontal length of Inframe rail in the corresponding locations from which they were measured, using 2 x 40mm countersunk screws. Make sure that the blocks are flush with the front of Inframe rail before attaching together.



### Step 4. Integrated Dishwasher

For runs of units that include an integrated dishwasher stop the horizontal inframe rail at the end of the unit next to the dishwasher and mitre return the rail to cover the visible raw edge, seal the raw edge at the back of the return with a sealant to protect it from water and steam. A vertical inframe block is required on the corner of the unit on either side of the dishwasher. Inframe rails are required above the dishwasher inline with the top of the unit. Lower the dishwasher to sit under the inframe rails, this allows the dishwasher door to open correctly. Using 4 x 15mm screws per connecting plate (x2), fix the 30mm rail to the dishwasher frontal, ensuring a 2mm gap between them before attaching the frontal to the dishwasher.



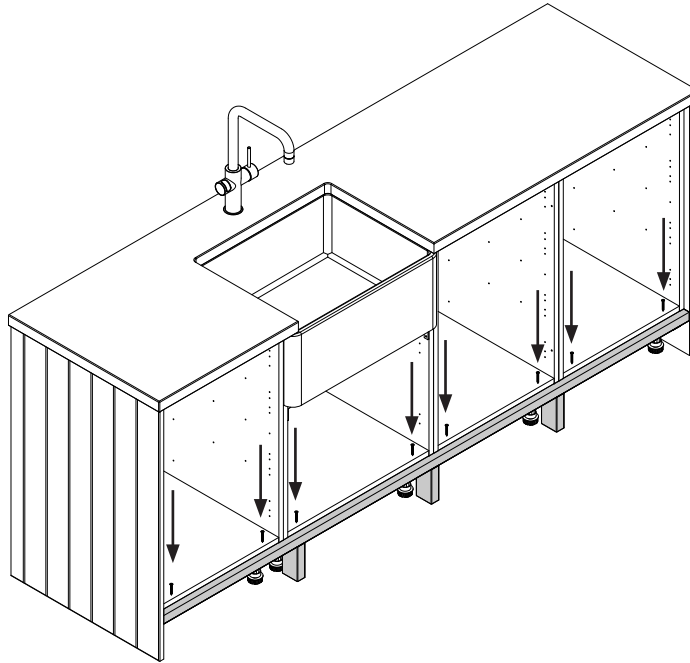
## Decorative Moulded Plinth Installation Guide

FI.PK.FIT.221

### Step 5.

Using 2 x 40mm countersunk screws per unit attach the Inframe rail to the bottom of the units. Set the Inframe rail flush with the front of the decor panels or 0.5mm in front of the doors if there are no decor panels. Ensure screw heads are flush with shelf.

**For Inframe Kitchens, reattach using existing positions and screws.**

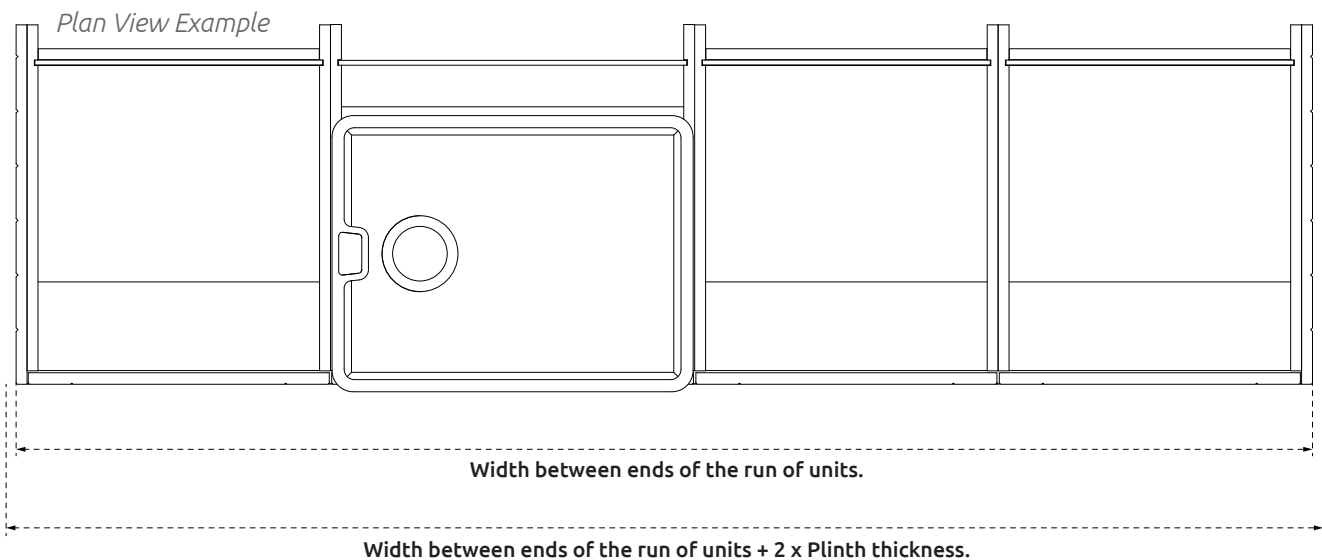


### Step 6.

Measure lengths required for Plinth.

For internal corners, the internal mitre is measured to the corner where the Inframe rails meet.

For external corners, measure to the end of the unit then add on the thickness' of the plinth, this is the location of the external mitre.



## Decorative Moulded Plinth Installation Guide

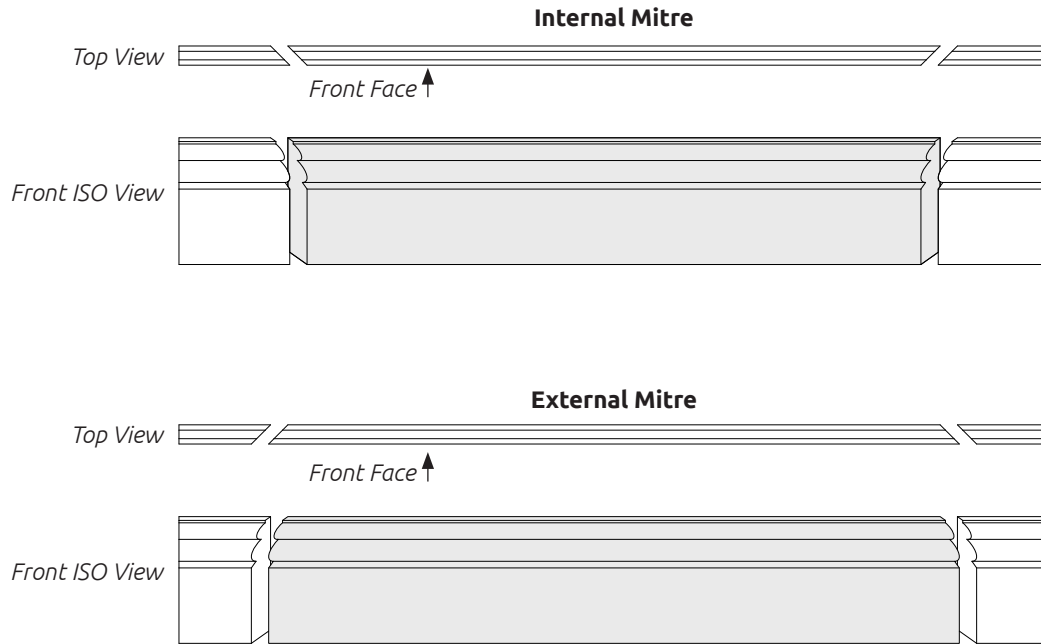
FI.PK.FIT.221

### Step 7.

Cut any corner mitres as required.

For internal mitres make sure the rear face of the plinth is the longest face.

For external mitres make sure the front face of the plinth is the longest face.

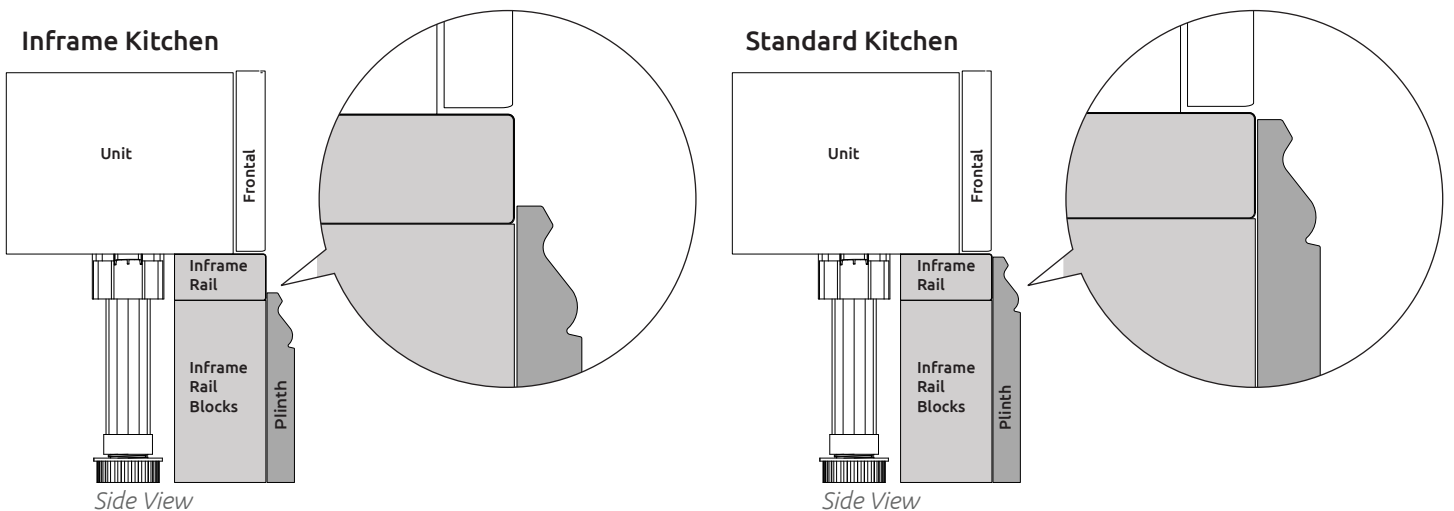


### Step 8.

Scribe the bottom of the lengths of plinth as required. Seal the bottom of the plinth with an adhesive / sealant to protect it from moisture

Standard kitchens = 150mm Plinth height.

Inframe Kitchens = 115 - 138mm Plinth height.

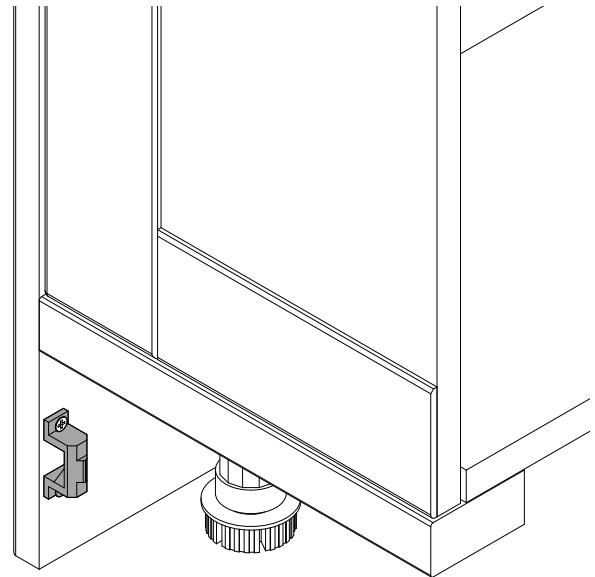
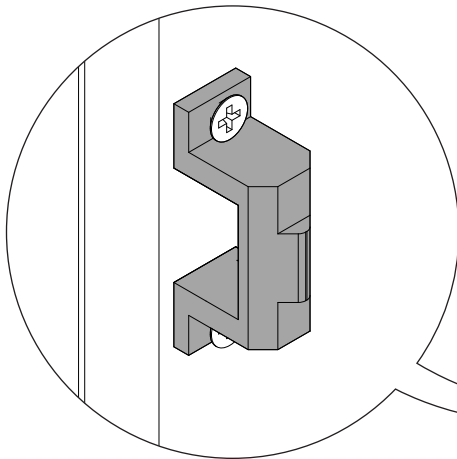
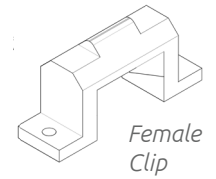


## Decorative Moulded Plinth Installation Guide

FI.PK.FIT.221

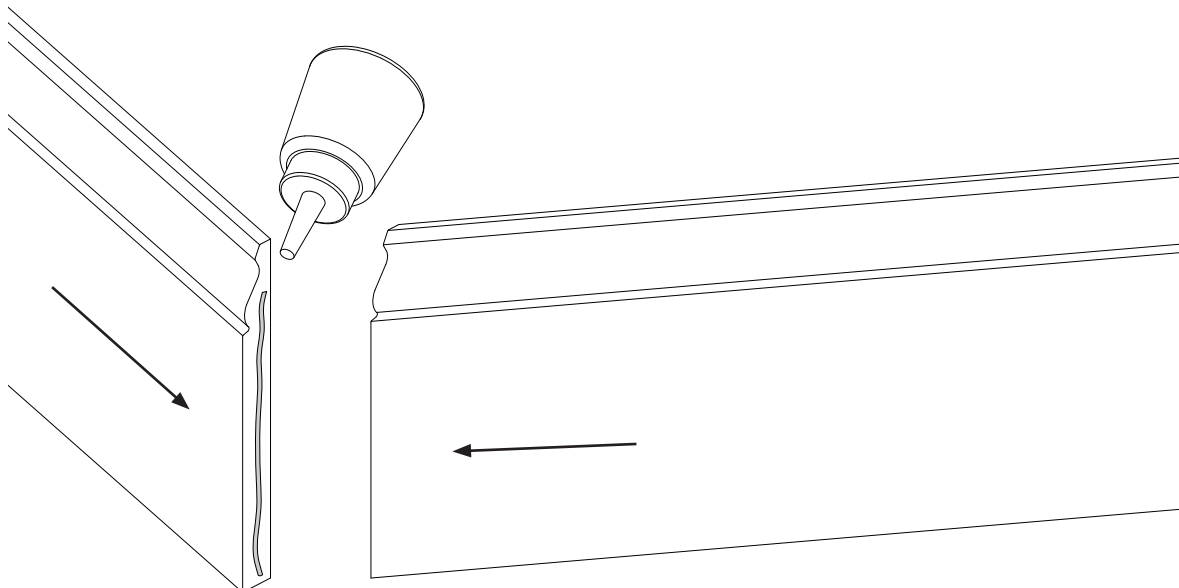
### Step 9.

Mark locations on inframe rail blocks or decor end panels where applicable and attach Plinth Spring Clip (Female) using 2 x 15mm screws. Locate the clip, so once the plinth is attached it sits tight and flush onto the inframe rail.



### Step 10.

Using mitre adhesive, secure mitred corners together. Make sure that the profiles are perfectly aligned with no stepping.

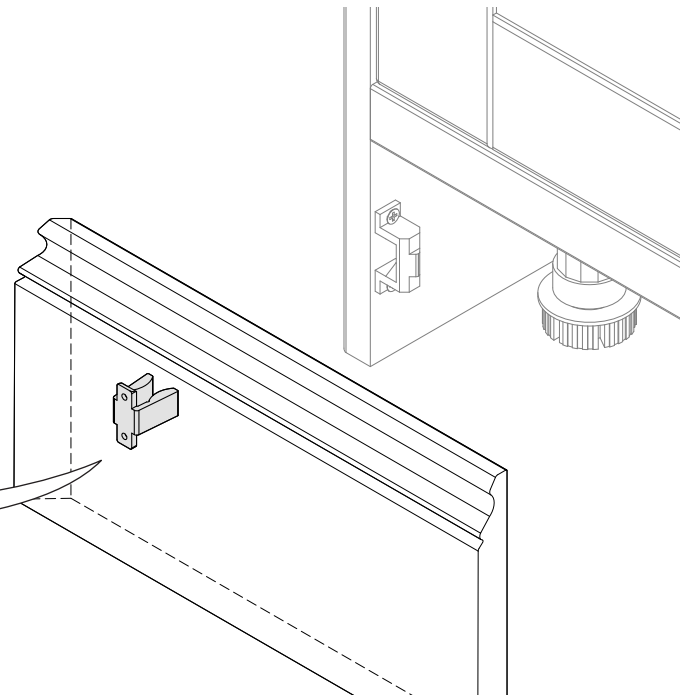
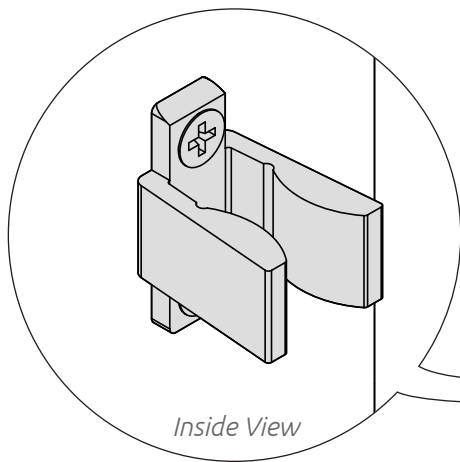
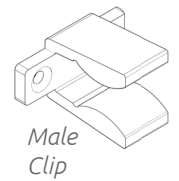


## Decorative Moulded Plinth Installation Guide

FI.PK.FIT.221

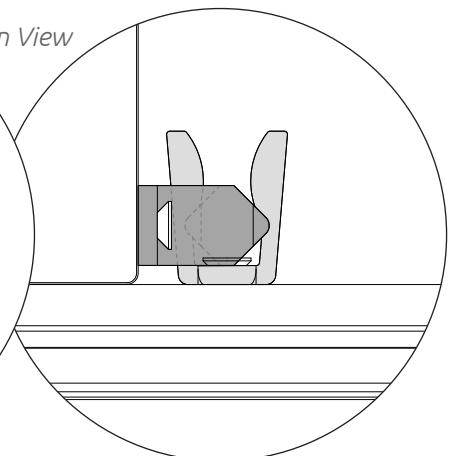
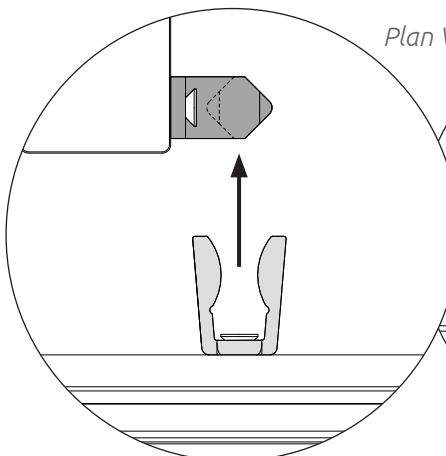
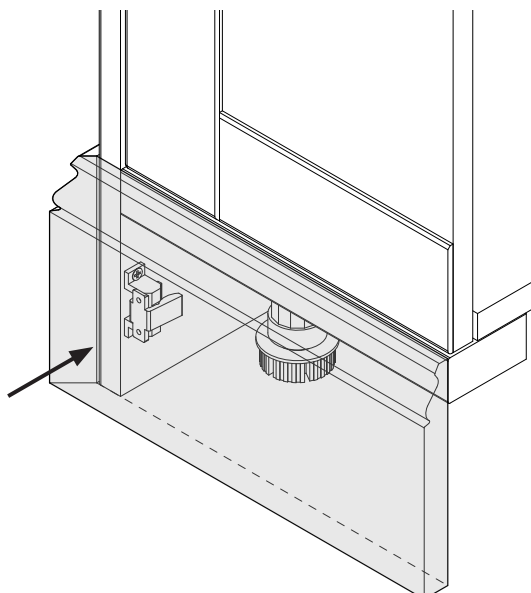
### Step 11.

Mark corresponding locations on the back of the plinth and attach Plinth Spring Clip (Male) using 2 x 15mm screws.



### Step 12.

Push the assembled plinth into position and secure in place using the Plinth Spring Clips.



## Decorative Moulded Plinth Installation Guide

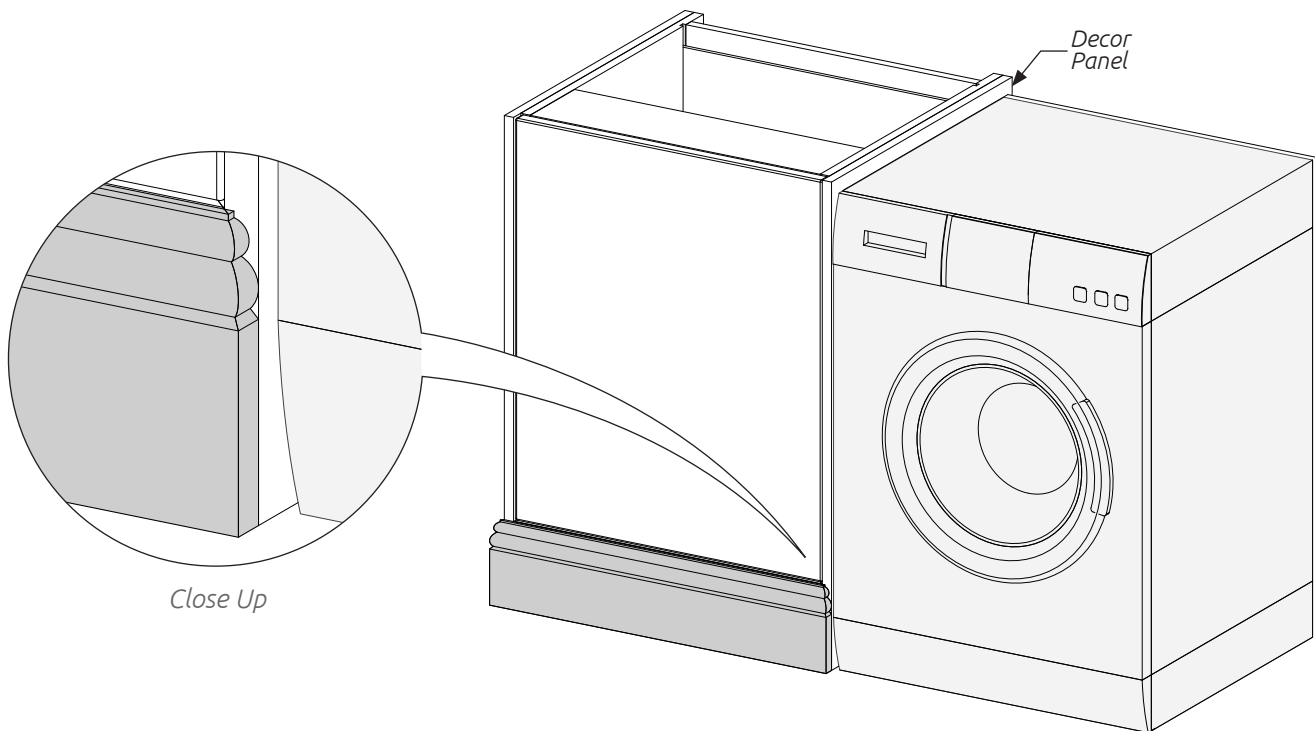
FI.PK.FIT.221

### Step 13. Free standing Appliances

**With Decor:** For runs of units that include a free standing appliance the plinth will need mitre return against the front of the decor or mitre return down the side of the unit if no decor is used.

**Without Decor:** For runs of units that include a free standing appliance the plinth will need mitre return against the vertical inframe block at the end of the unit.

#### Plinth Return with Decor



#### Plinth Return No Decor

