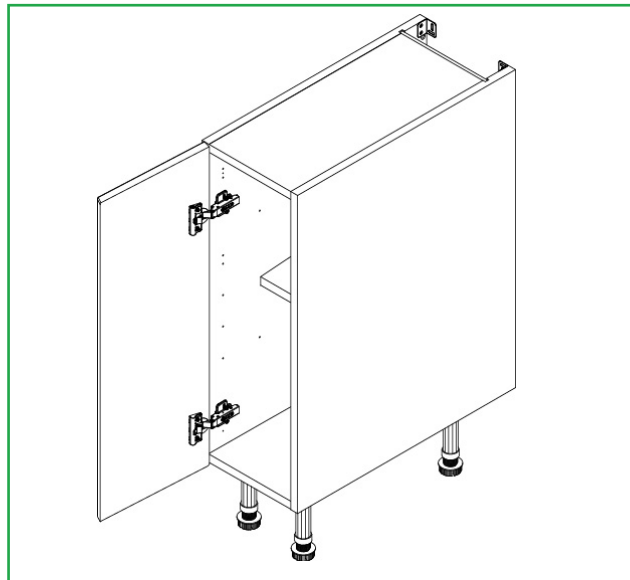
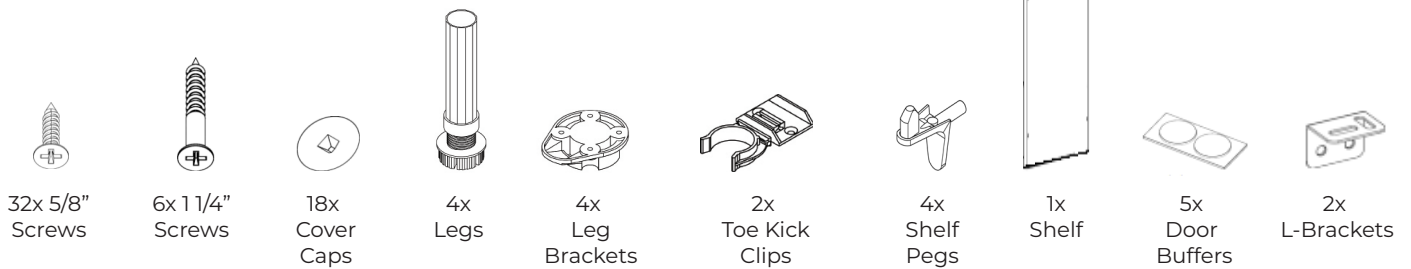


# Base Cabinet

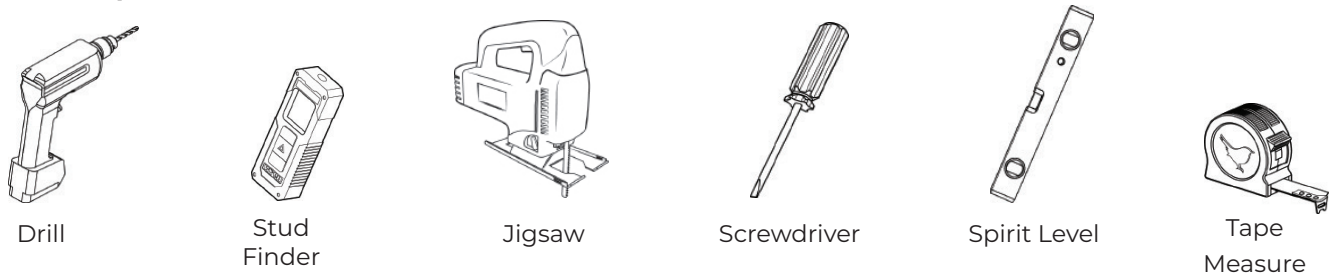
## Base (Door, Solid Top, 4 Legs) - Fitting Guide



### Cabinet Parts



### Tools Required

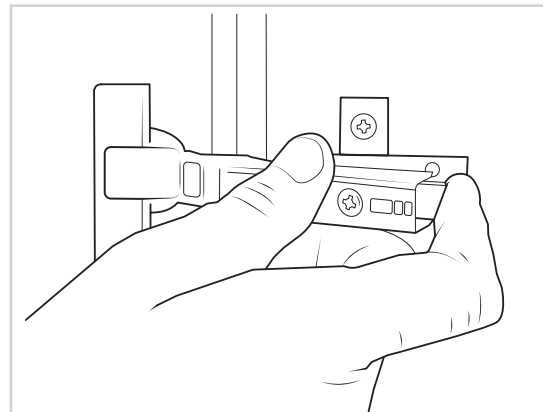


Remember to take care when unpacking. Please keep your workspace clean, clear, and tidy when working. This will help keep all items safe from damage. Any waste cardboard or plastic should be flattened down and placed in the trash can.

A minimum of two people will be needed to lift the cabinet.

## Remove the frontal

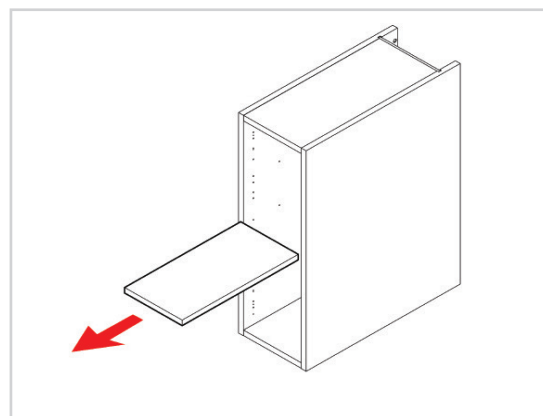
Before installing the cabinet, the frontal needs to be removed by pulling the release catch.



## Remove the fittings

Remove all of the fittings so the cabinet is empty.

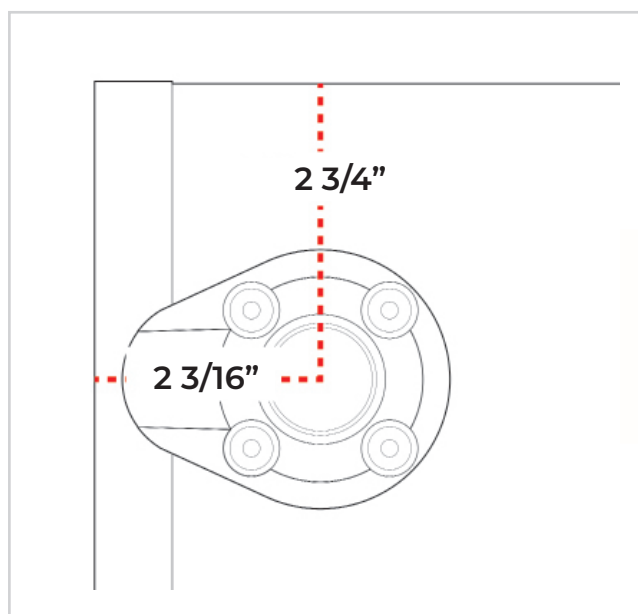
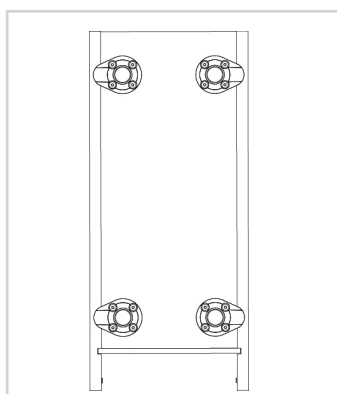
Make sure all of the fittings are kept on a clean, level surface.



If you have a white or pebble carcass, the grey panel is the top of the cabinet.  
The legs are to be installed in the white base panel.

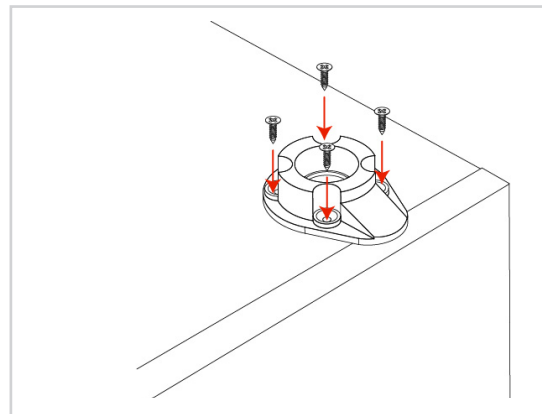
## Positioning the leg brackets

Locate the leg brackets and position, as shown in the diagram. Ensure the leg brackets are rotated so the flange covers the outer edge, as this provides support for the edge of the cabinet.



## Fixing the leg bases

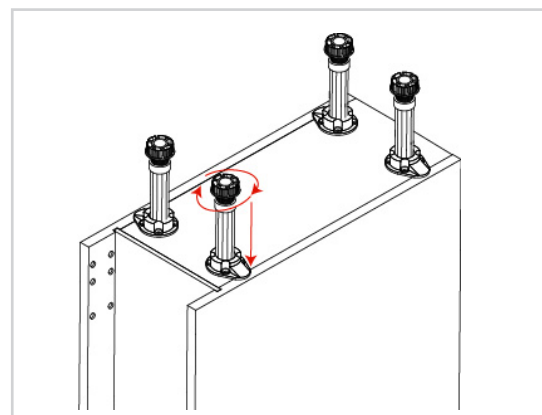
Secure each of the leg brackets into place with **4x 5/8"** screws per bracket.



## Inserting the legs

Push each leg firmly down into the leg bracket. Adjusting each leg to **4 9/16"**.

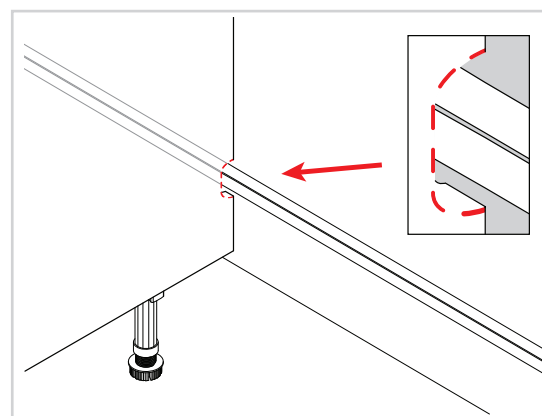
Adjust the legs to the correct height by turning clockwise or anti-clockwise.



## Notching out the side panel (if required)

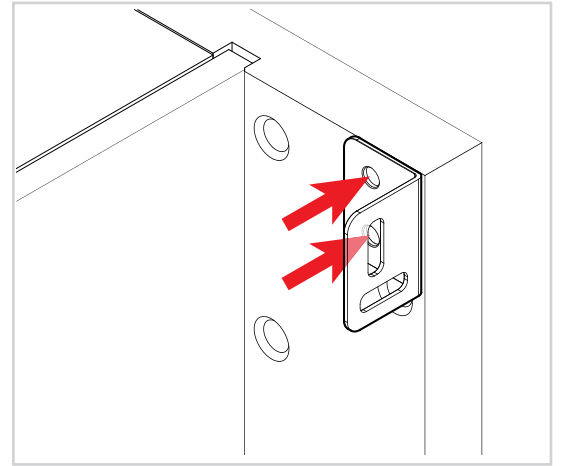
In order to allow for any horizontal pipework running behind the cabinet, some cabinets will require the back of the cabinet side to be notched out.

Create a notch for the horizontal pipes at the back of the end panels using a jigsaw.



## Securing the L-bracket

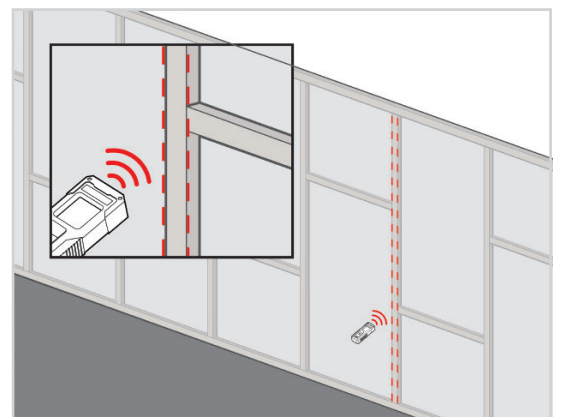
Secure each L-bracket to the rear of the cabinet using **2x 5/8"** screws on each side.



## Locating the stud

Using a stud finder, locate the studs where the cabinet will be installed and mark the wall where the cabinet will sit.

If the cabinet cannot be secured to a stud, please secure it to an adjacent cabinet.



For help on determining the sort of wall you have, please refer to the "Room Preparation Guide."

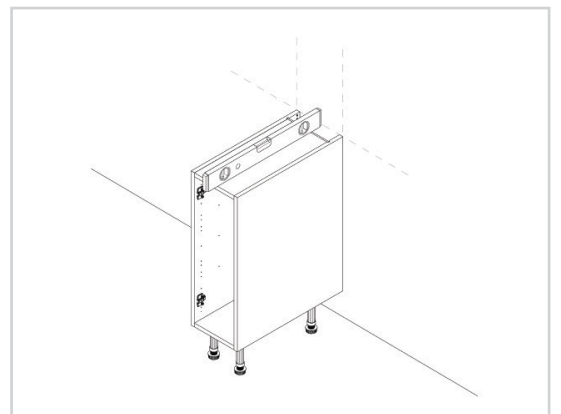
## Lifting the cabinet into place

When lifting the cabinet into place, do **not** tilt, as this can damage the legs.

Position the cabinet against the wall so that the stud is in the center of the cabinet.

Use a spirit level to ensure the cabinet is level from front to back, left to right, and diagonally.

Adjust the legs if required.

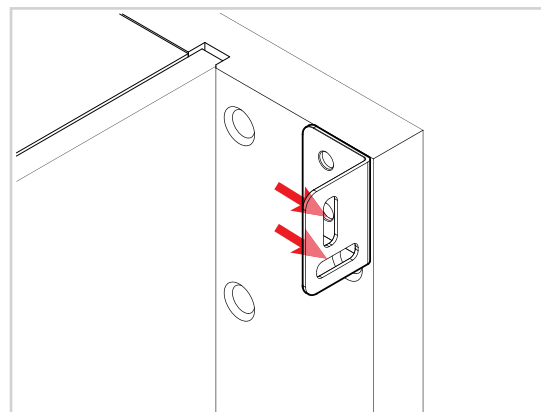


Screws and fixings for attaching the cabinet to the wall are not provided, as these vary depending on the wall material and construction. Check that the appropriate fixings for the wall construction are used.

### Attaching the cabinet to the wall

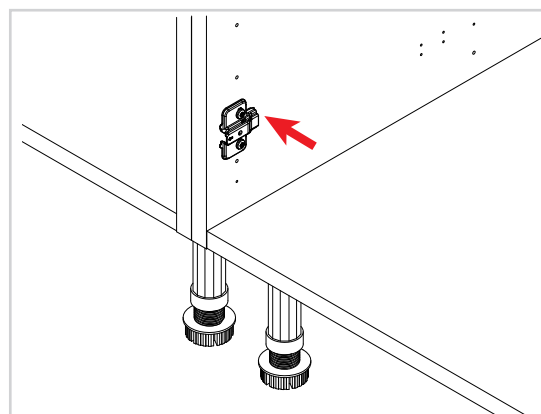
Fix the cabinet to the wall through the L-brackets, as shown in the image (these fixings are not provided).

For guidance on the appropriate wall fixing for each wall type, please consult the “**Room Preparation Guide.**”



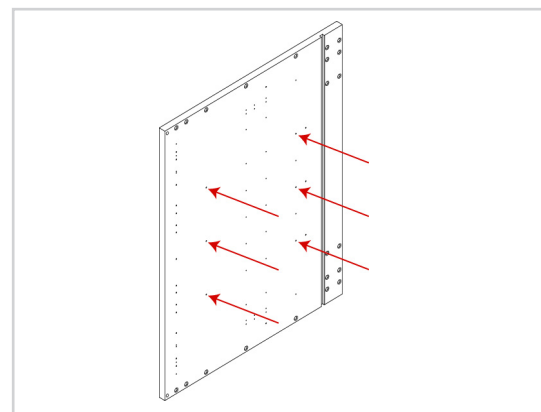
### Secure adjacent cabinets

Any adjacent cabinets need to be secured using the **1 1/4"** screws provided. Screw to the rear of both hinge plates and to the rear of the cabinet at the top and bottom.



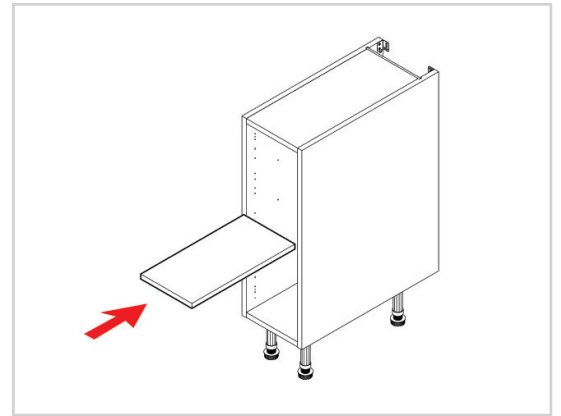
### Finding the shelf height

Find where the shelf will be installed (this is down to personal preference). Then insert the shelf pegs into the pre-drilled holes.



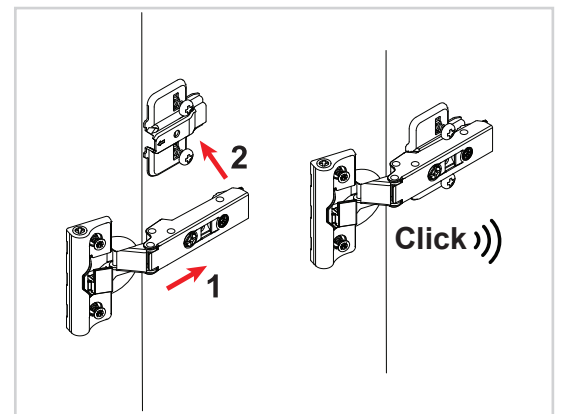
## Inserting the shelf into position

The shelf will touch the back of the cabinet when installed. If there is a gap between the back panel and the shelf, this means the shelf has been installed back to front and the shelf needs to be rotated.



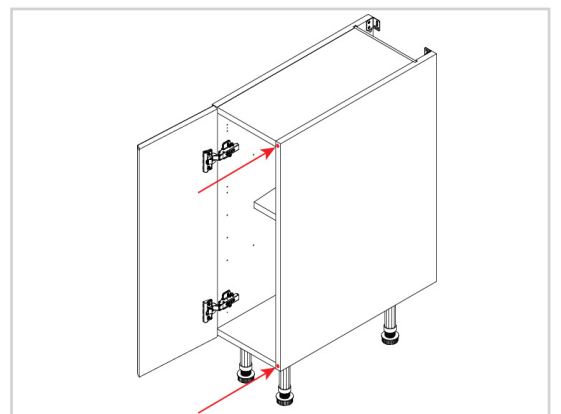
## Attaching the frontal

The frontal needs to be re-attached to the cabinet. Position the hinge arm on the hooks on the hinge plate. Then push the rear of the hinge arm towards the hinge plate until it clicks.



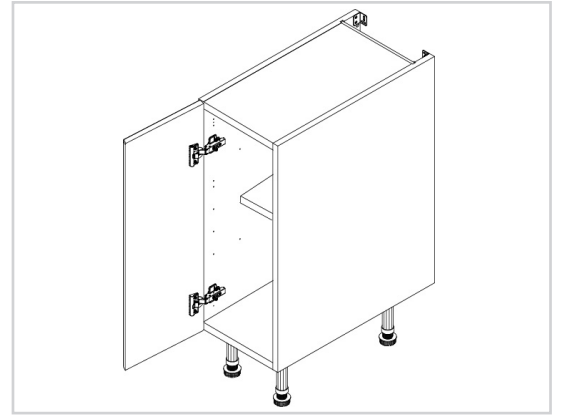
## Adding the door buffers

Position **1x** door buffer in the top corner and **1x** door buffer in the bottom corner of the cabinet, as seen in the image.



## Finishing touches

Finally, to hide any visible screw heads, use the cover caps provided. The cabinet should then be thoroughly cleaned to remove any debris that may have accumulated during the installation.



To secure the countertop, screw up through the top of the cabinet.

Store the toe kick clips and the remaining 5/8" screws.  
These will be used later when attaching the toe kick.

For door alignment please review the following installation guide:  
**Door - Door Hinge Adjustment.**