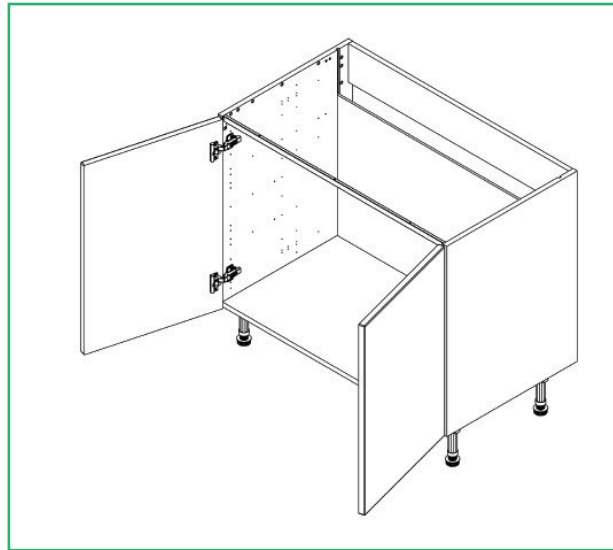


PRO-SERIES Base Cabinet

Sink Base (Door, Open Top, 5 Legs) -Fitting Guide



Cabinet Parts



32x
5/8" Screws



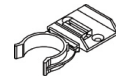
6x
1 1/4" Screws



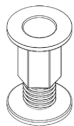
18x
Cover Caps



5x
Legs



2x
Toe Kick Clips



2x
Space Plugs



5x
Door Buffers



2x
L-Brackets



4x
Shelf Pegs



1x
Shelf

Tools Required



Drill



Hole Saw



Jigsaw



Stanley Knife



Stud Finder



Mallet



Screwdriver



Clamp



Spirit Level



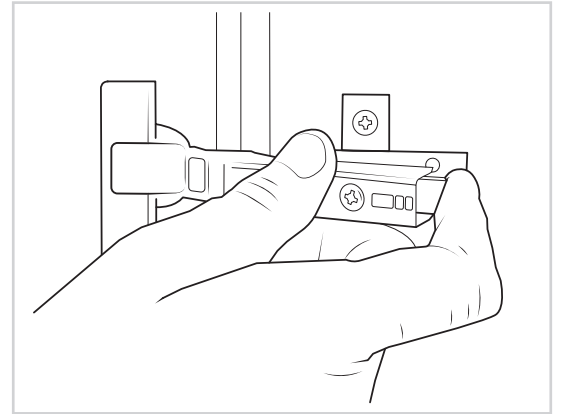
Tape Measure

Remember to take care when unpacking. Please keep your workspace clean, clear, and tidy when working. This will help keep all items safe from damage. Any waste cardboard or plastic should be flattened down and placed in the trash can.

A minimum of two people will be needed to lift the cabinet.

Removing the frontals

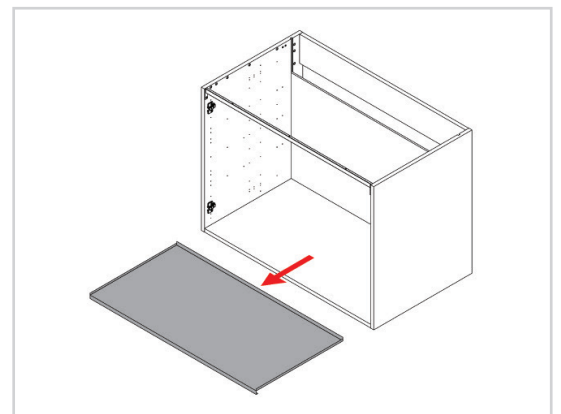
Before installing the cabinet, remove the frontals by pulling the release catch.



Removing the fittings

Remove all content, including the shelf liner, so the cabinet is empty.

All fittings should be kept on a clean and level surface.

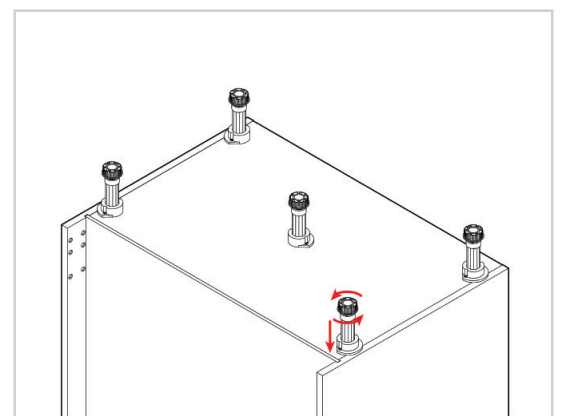


Securing the legs

Secure each of the cabinet legs to the cabinet using **2x 5/8"** screws per leg.

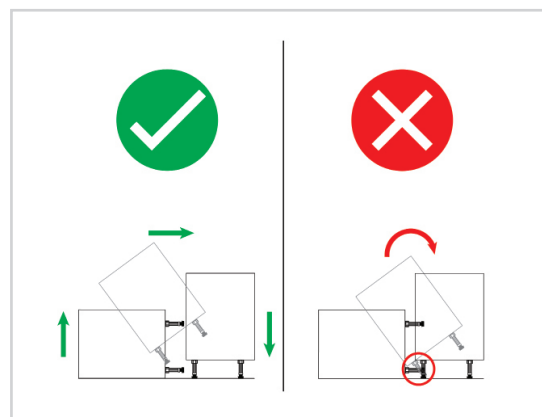
Make sure the legs are positioned as seen in the image to support the end panel.

Set the leg height to **4 9/16"**. The leg height can be adjusted by turning the foot of the leg clockwise or anti-clockwise.



Lifting the cabinet into place

When lifting the cabinet into place, do **not** tilt, as this can damage the legs.



Locating the stud

Using a stud finder, locate the studs where the cabinet will be installed and mark the wall where the cabinet will sit.

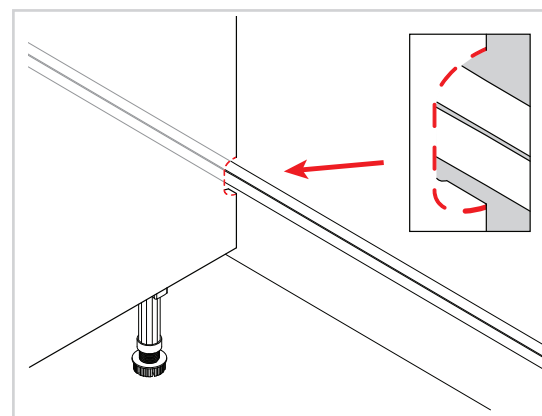


For help on determining the sort of wall you have, please refer to the “Room Preparation Guide.”

Notching out the end panels (when required)

In order to allow for any horizontal pipework running behind the cabinet, some cabinets will require the back of the cabinet’s side to be notched out.

Create a notch for the horizontal pipes at the back of the end panels using a jigsaw.

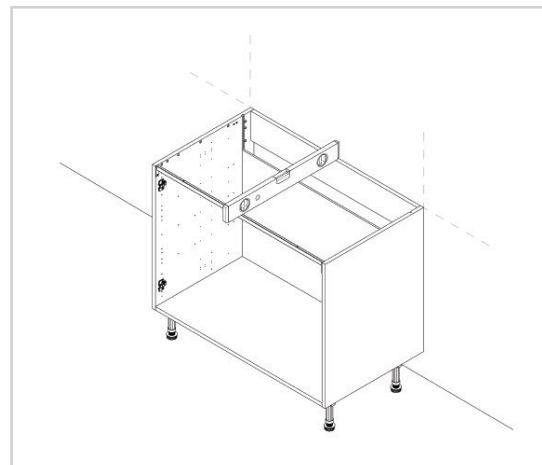


Sliding the cabinet into place

Slide the cabinet against the wall and align it with the wall markings and the services.

Use a spirit level to ensure the cabinet is level from front to back, left to right, and diagonally. Adjust the legs if required.

The leg height can be adjusted by turning the foot of the leg clockwise or anti-clockwise.

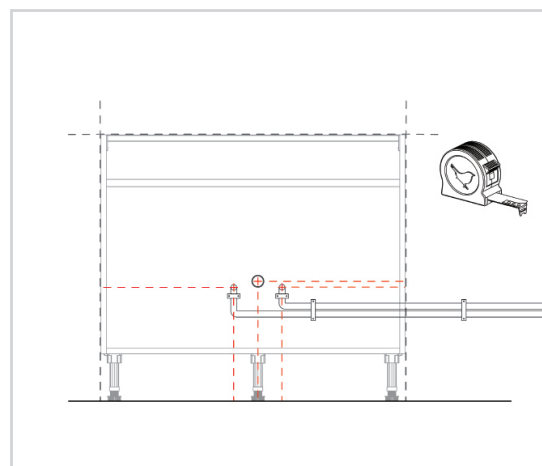


Cutting for the services method 1.

Measuring the services

Measure the distance between the center of the services and the wall markings.

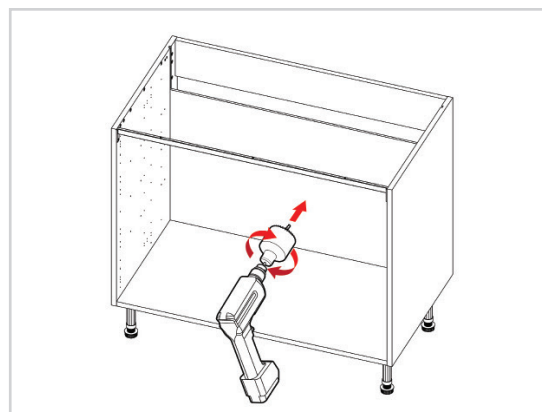
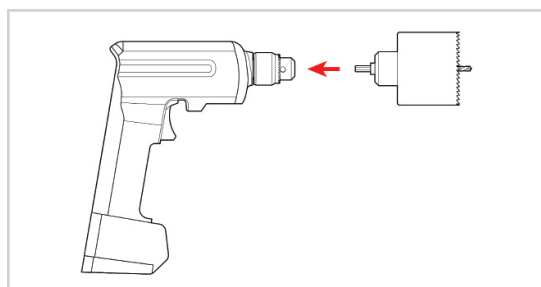
Transfer the markings onto the inside of the cabinet back panel.



Ensure to double check the measurements by placing the cabinet in line with the wall markings and checking that the markings are in the same place as the services.

Drilling the back of the cabinet

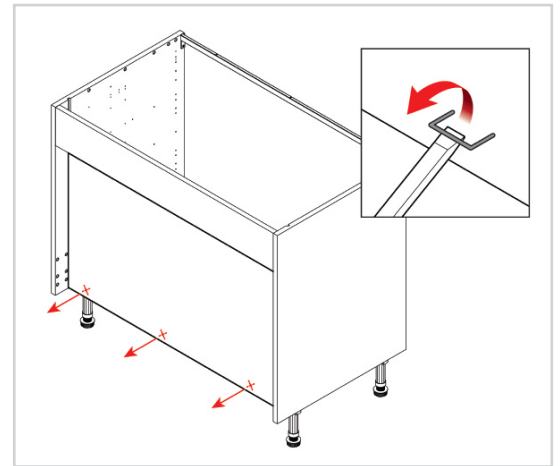
Drill a hole using the correct drill bit for the size of the pipe at the marked locations.



Removing the back staples

Using a flat-headed screwdriver, carefully remove the staples located at the bottom of the cabinet.

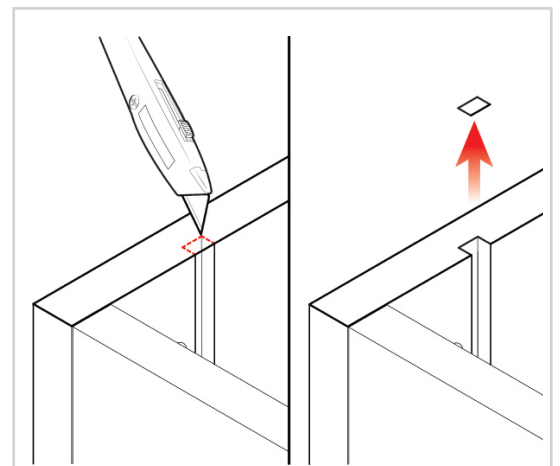
Any minor damage to the back panel will be concealed once the cabinet is positioned against the wall.



Cutting the groove

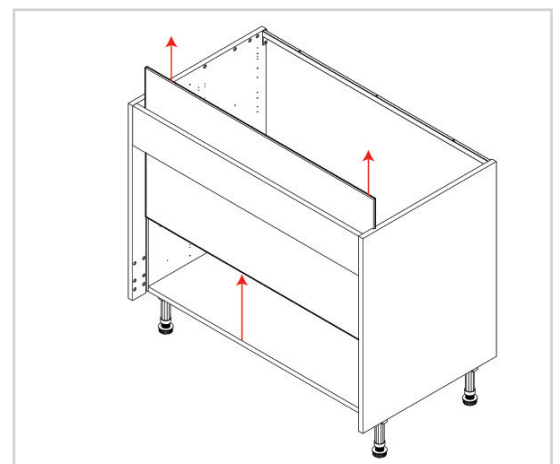
Use a stanley knife make a small square cut at the top of the groove on the back of the cabinet.

This is to allow for the back panel to slide out.



Removing the back panel

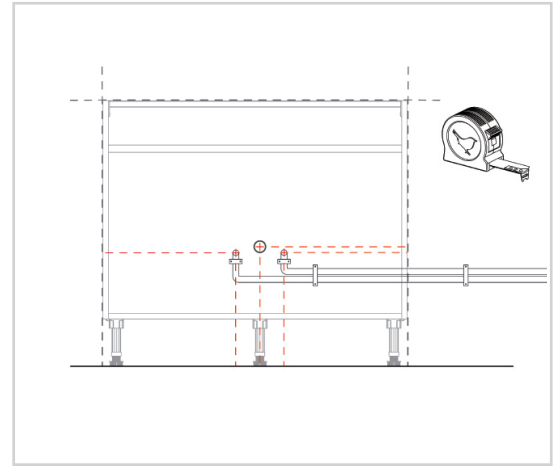
Slide the back panel up and out of the cabinet and place the panel on supported surface.



Measuring the services

Measure the distance from the center of the services to the inner side of the cabinet, then add an additional **1/16"** to the measurement.

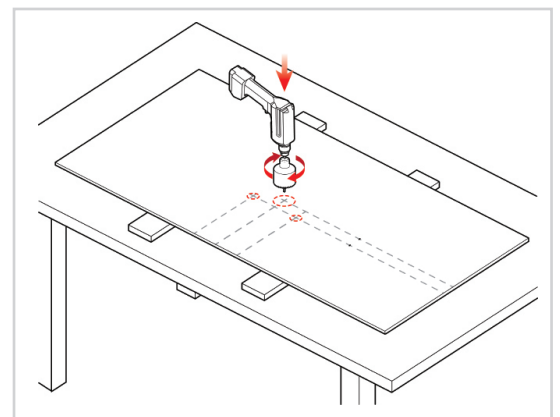
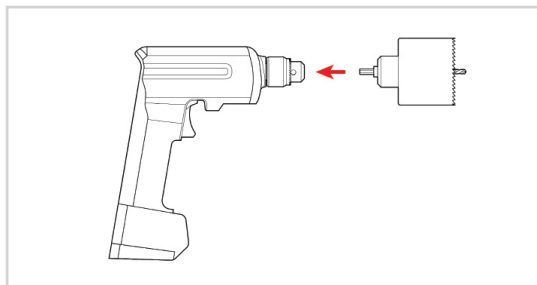
Transfer the markings onto the inside of the back panel.



Take time to double check the measurements of the services before drilling.

Drilling the back panel

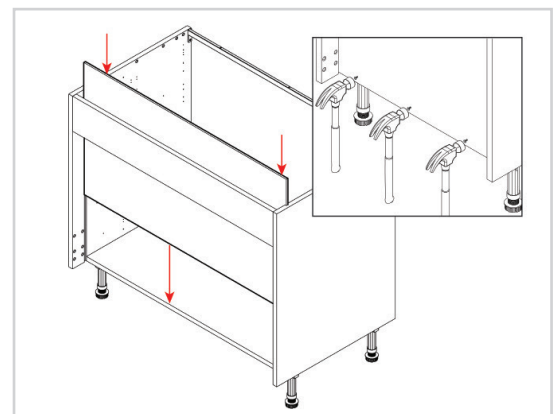
Make sure the panel is fully supported before starting to drill. Drill a hole using the correct holesaw for the size of the pipe at the marked locations.



Sliding the back panel into place

After drilling the holes for the services, slide the back panel into the grooves at the rear of the cabinet.

Once the back panel is in position secure it by using **3 small** tacks along the base panel. Ensure the tacks are placed in different locations than the original staples, to avoid weakening the material.

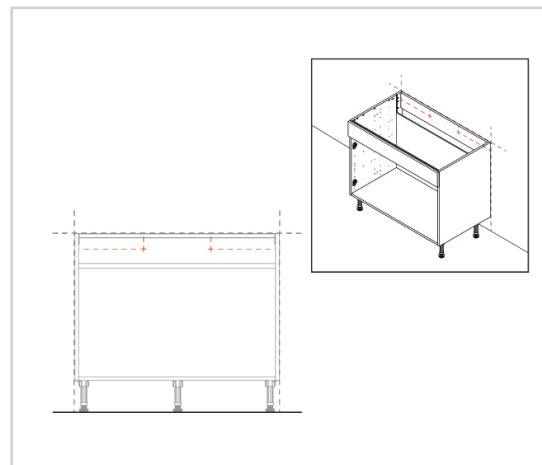


Finding the centre point

Find the centre point measurement of the rear top rail and lightly mark this position.

Transfer the measurement onto the wall at the unit markings, which were drawn at the room preparation stage.

This will be the position of the wall fixing.



Before drilling into the wall you **MUST** check for any hidden services or pipework within the walls.

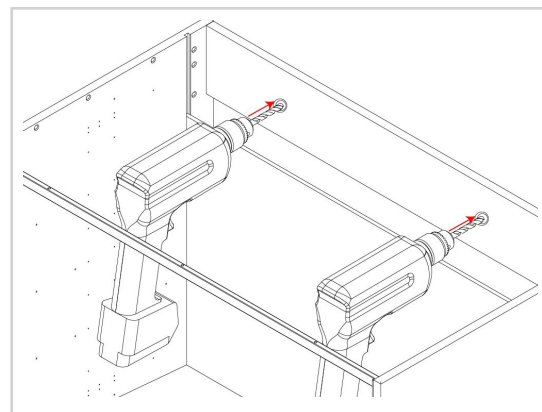
Drilling the cabinet and wall

Place the cabinet back up against the wall. Drill **2** holes through both the rear top rail and the wall at the marked locations.

For guidance on the appropriate wall fixing/screws for each wall type, please consult the **“Room Preparation Guide.”**

Once complete, lift and move the cabinet away from the wall, then drill a pilot hole at the marked positions.

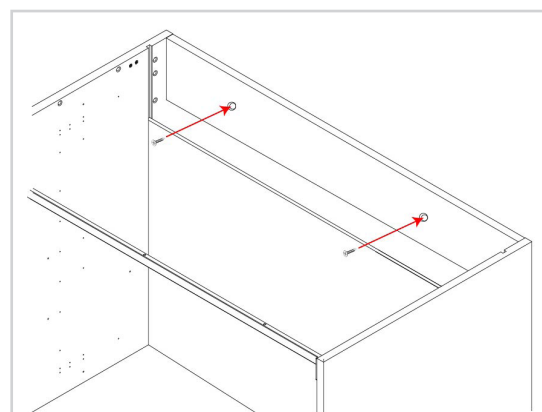
Lift and reposition the cabinet, ensuring it is level and in line with the wall markings.



No screws are provided for attaching the cabinet to the wall.
This is due to variations in wall construction.

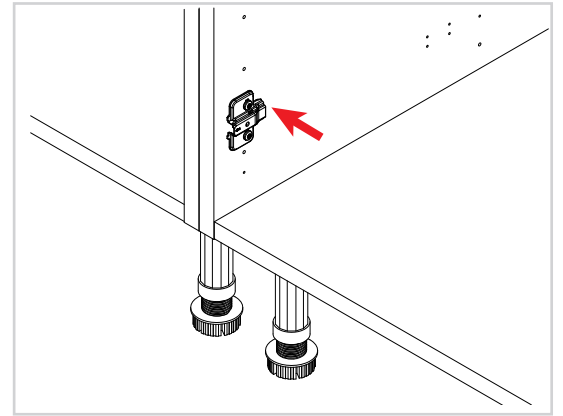
Inserting the screws

Insert the screws into the drilled holes and tighten them to the wall.



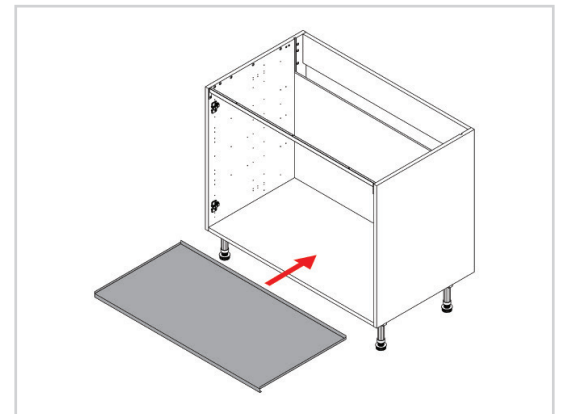
Securing adjacent cabinets

Any adjacent cabinets need to be secured using the **1 1/4"** screws provided. Screw to the rear of both hinge plates and to the rear of the cabinet at the top and bottom.



Inserting the shelf liner into position

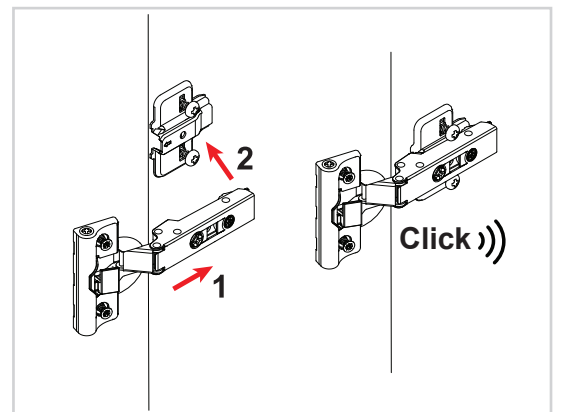
The shelf liner should be inserted into the bottom of the sink cabinet, ensuring it touches the back panel.



Attaching the frontal

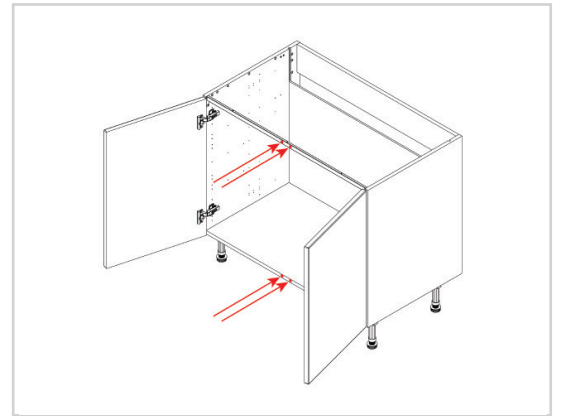
The frontal should be re-attached to the cabinet by clipping the hinges onto the hinge plates.

The bar of the hinge needs to be positioned into the hooks on the hinge plate. Then the rear of the hinge is pushed to the hinge plate until it clicks.



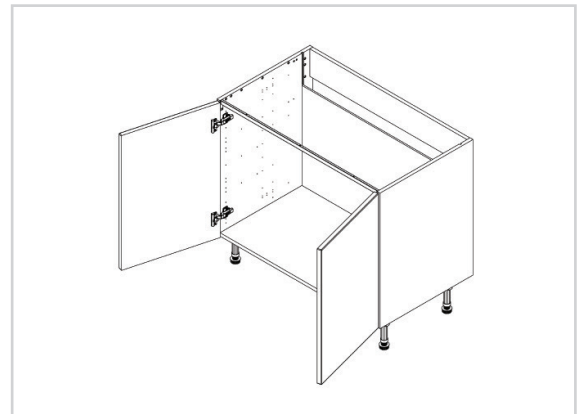
Adding the door buffers

Position **2x** door buffers at the top and bottom of the cabinet, as illustrated in the image.



Cleaning the cabinet

Finally, the cabinet should be thoroughly cleaned to remove any debris that may have accumulated during the installation.



Store the toe kick clips and the remaining 5/8" screws.
These will be used later when attaching the toe kick.

Store the L-brackets.
These will be used later when installing the countertop (laminated or timber).

For door alignment please review the following installation guide:
[Door - Door Hinge Adjustment.](#)