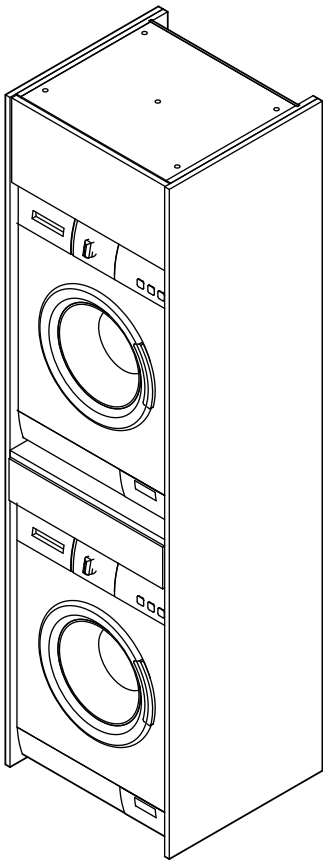
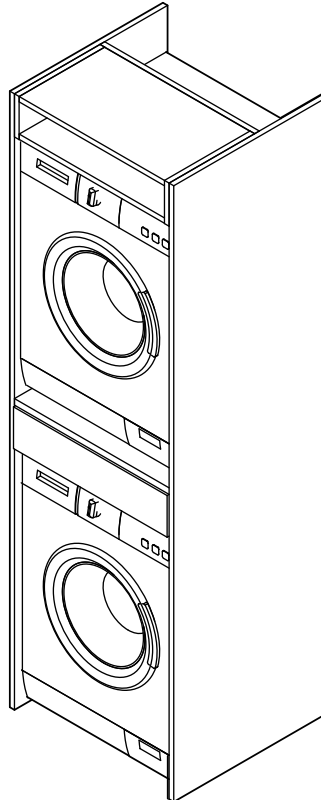


Tower Unit

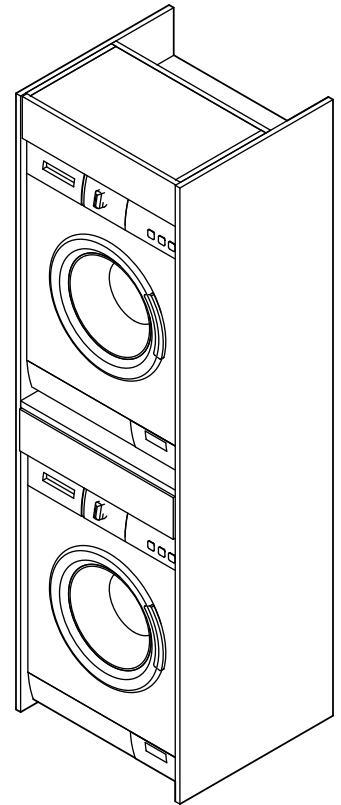
Stacked Laundry Utility- Fitting Guide



2250
Stacked Appliance Tower
Including 1 Lift Door Wall
Unit



2070
Stacked Appliance Tower
Including Horizontal Open
Wall Unit

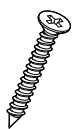


2070
Stacked Appliance Tower
Including Non-Open Wall
Unit

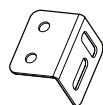
Units Parts



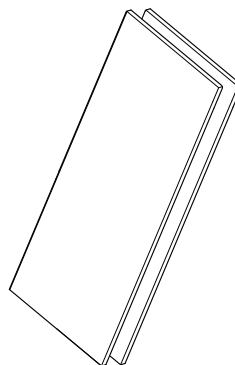
16x
15mm
Screws



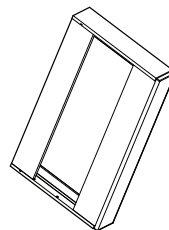
28x
30mm
Screws



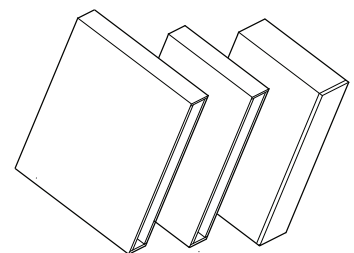
8x
L Bracket
LGE



2x
Decor Panels



1x
Drawer Unit



1x
Wall unit
(Options given above)

Tools Required



Drill



Jigsaw



Mallet



Screwdriver



Clamp



Spirit Level



Tape Measure

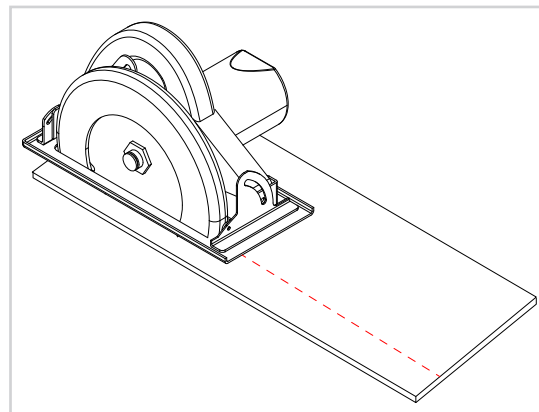
Remember to take care when unpacking. Please keep your workspace clean, clear and tidy when working. This will help keep all items safe from any damages. Any waste cardboard or plastic should be flattened down and placed in the bin.

The tumble dryer MUST be placed at the top of the drawer unit.

Measuring and cutting the decor panels

Measure and cut the tower decor panels to the correct size.

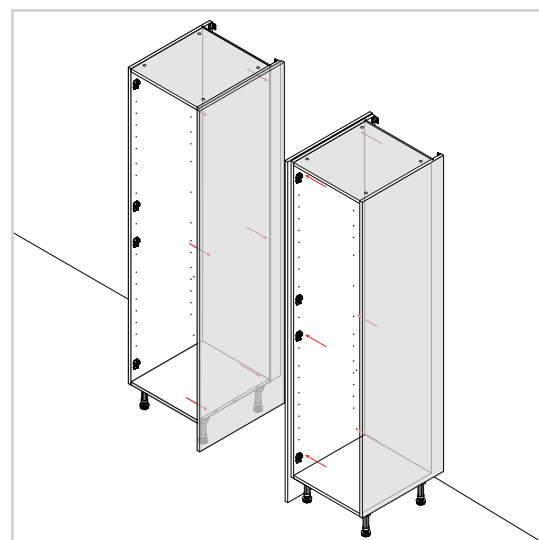
For more information please refer to the “Decor Panel” fitting guide.



Fixing the decor panel

Adjacent Tower Unit

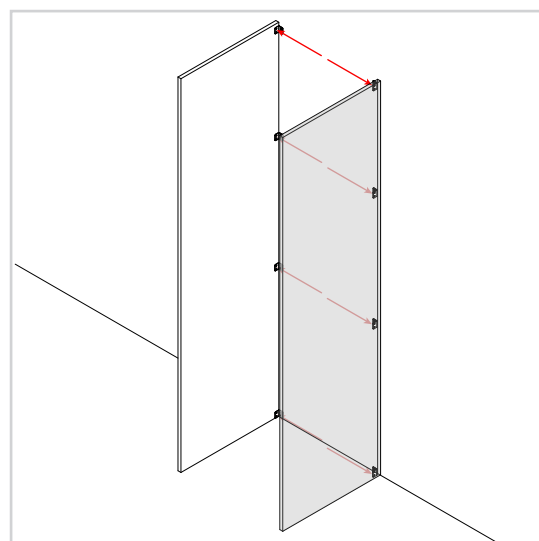
Attach the decor panel to the adjacent unit with **30mm** screws, as shown in the image.



No Adjacent Unit

If there are no adjacent units, secure the decor panels to the wall.

Fix the L-brackets at the rear of the panels using **2x15mm** screws per L-bracket, as shown in the image.

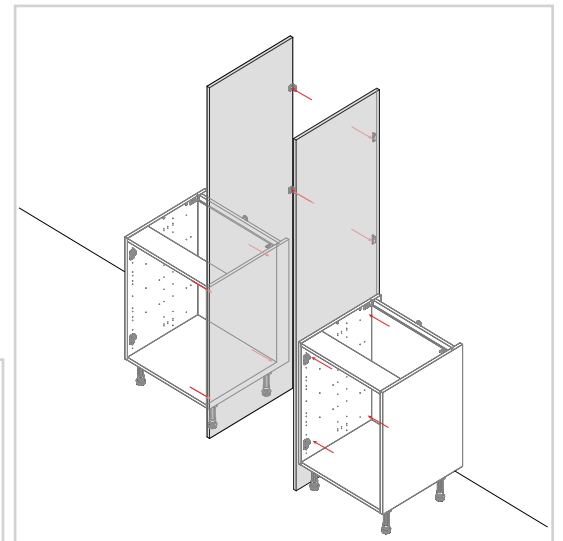
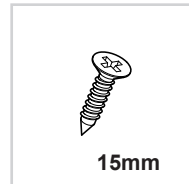


Ensure the L-bracket will not interfere with the drawer unit and the wall unit.

Adjacent Base Unit

For base units, attach the bottom of the decor panels to the adjacent unit using **30mm** screws, as shown in the image.

Then fix the L-brackets at the rear of the panels using **2x15mm** screws per L-bracket, as shown in the image.



Ensure the L-bracket will not interfere with the drawer unit and the wall unit.

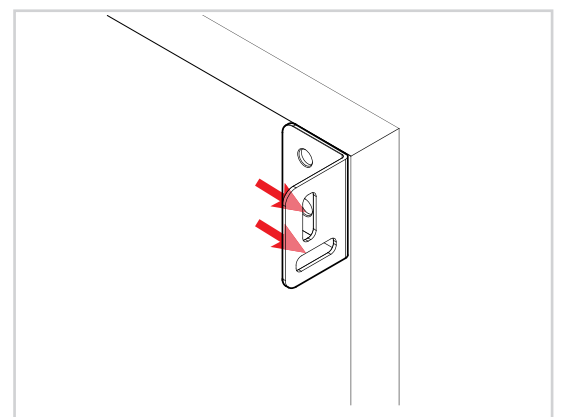
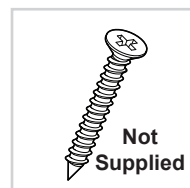
No screws or wall plugs are provided for attaching the unit to the wall. This is due to variations in wall construction.

Before drilling into the wall you **MUST** check for any hidden services or pipework within the walls.

Attaching the tower unit to the wall (If required)

Fix the decor panel to the wall through the L-brackets as shown in the image (these fixings are not provided).

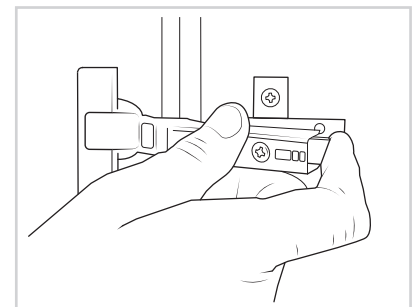
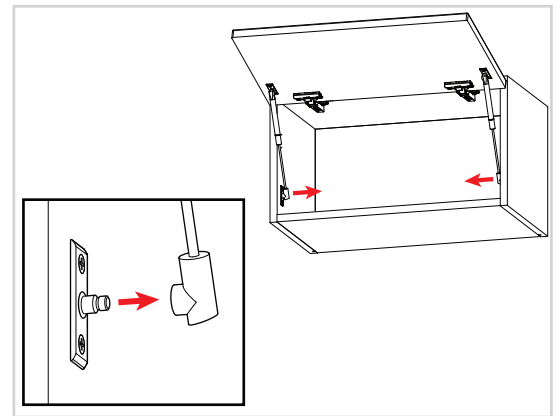
For guidance on the appropriate wall fixing for each wall type, please consult the "**Room Preparation Guide.**"



1 Lift Door Wall Removing the frontal (If required)

Before installing the wall unit, remove the frontal by un-clipping the lift hinge mechanisms from each of the lower brackets. The mechanism will remain attached to the upper brackets on the frontal.

Then pull the release catch on each hinge and carefully remove the frontal.



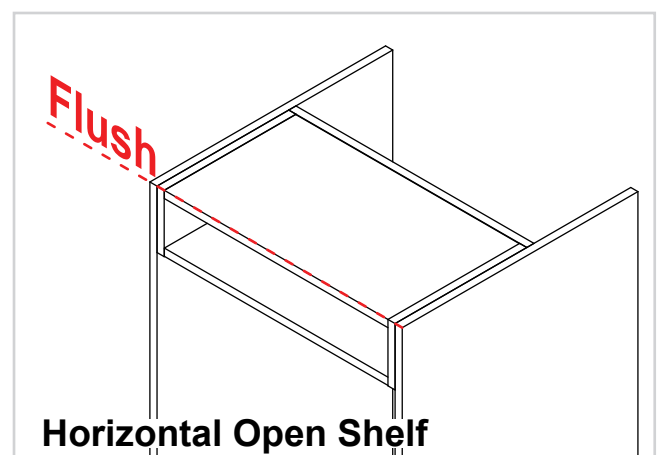
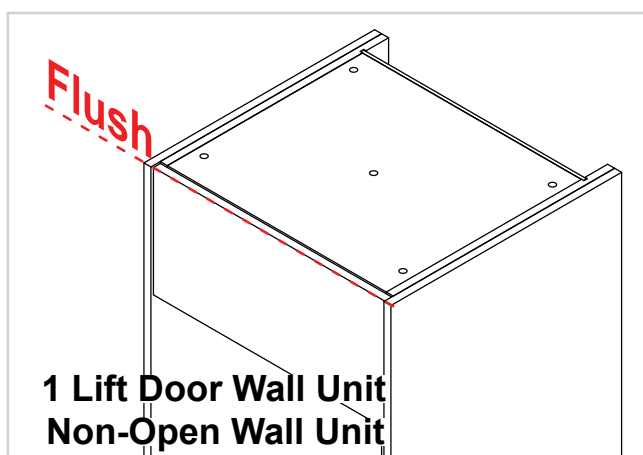
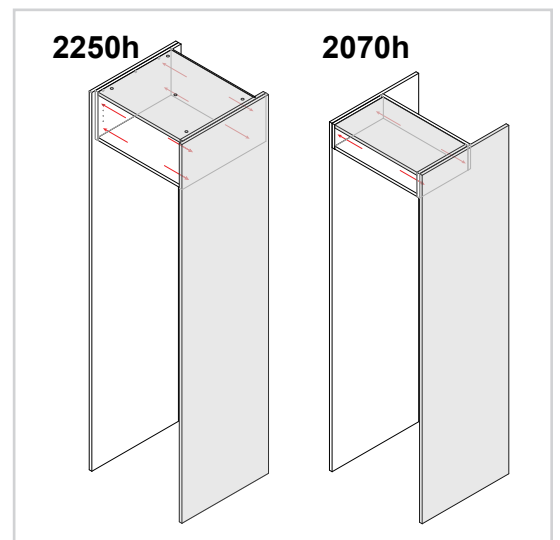
Securing to wall units

Place the wall unit in between the adjacent units or decor panels.

Open wall unit - The top of the open wall unit is flush with the top of adjacent units or decor panels.

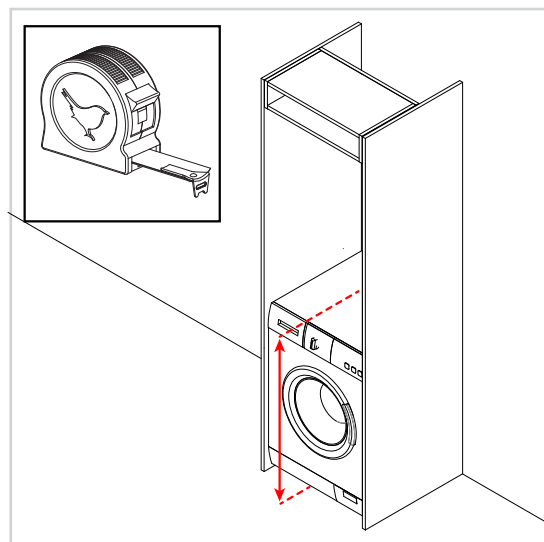
Lift door and Non-open wall unit - The front of wall unit (**including the frontal**) is flush with the front adjacent units or decor panels.

Ensure the top of wall unit is flush with the top of the decor panels. Secure it in place by screwing from the inside of the wall unit using **2x30mm** screws per side.



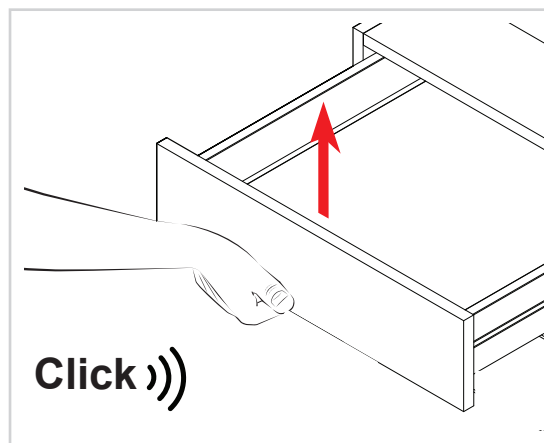
Measuring the washing machine

Measure the appliances and mark the position of the drawer unit at the required height between the adjacent units or decor panels.



Removing the drawer/pull out worktop

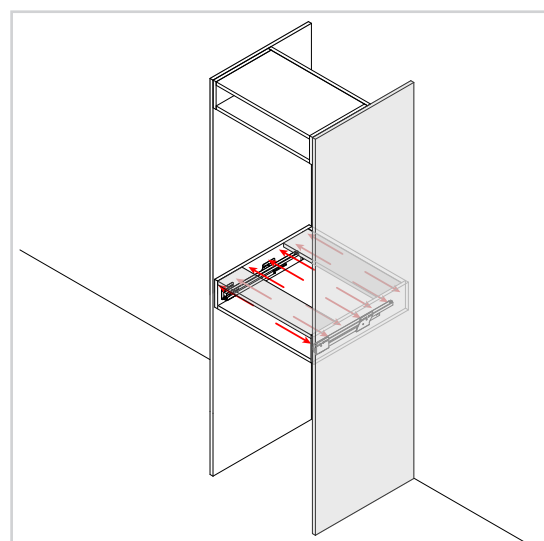
Before installing the drawer unit, remove the drawer/pull out. This is done by pulling the drawer/pull out all the way out, and then pulling the front of the drawer upwards.



Stagger the screws along the sides of the drawer.

Securing to drawer units

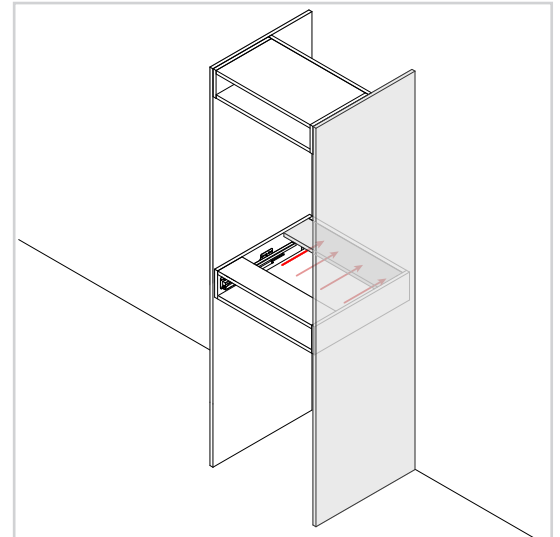
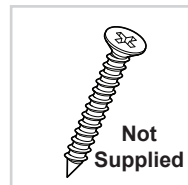
Attach the drawer unit at the marked position on the adjacent units or decor panels by screwing from the inside using **6x30mm** screws on each side.



No screws or wall plugs are provided for attaching the unit to the wall. This is due to variations in wall construction.

Before drilling into the wall you **MUST** check for any hidden services or pipework within the walls.

Screw through the back rail into the wall to secure in place.

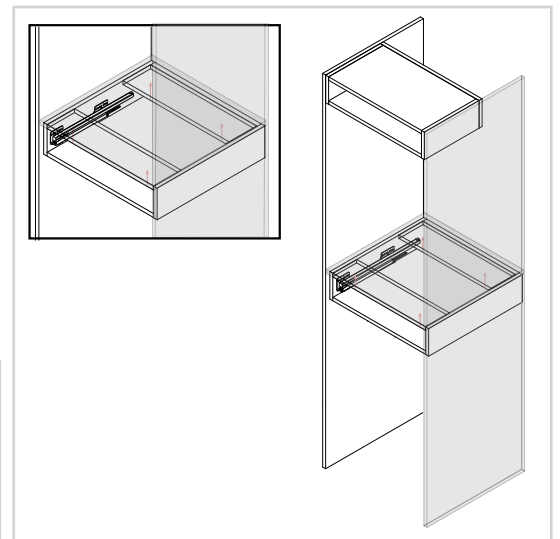
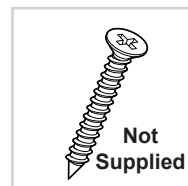


Securing the worktop

Place the worktop on top of the drawer unit, ensuring it is correctly positioned.

Secure the worktop by driving screws up through the front and back rails into the underside of the worktop.

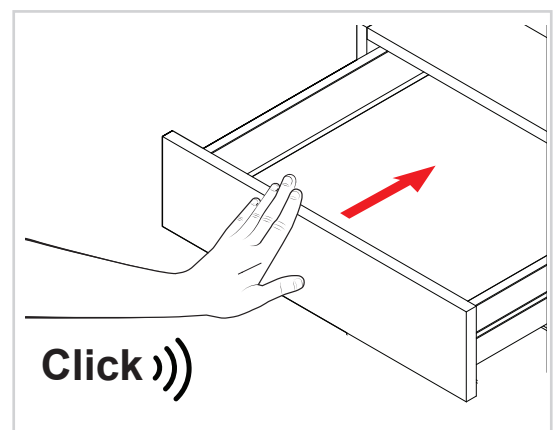
Screws are not provided.



Inserting the drawer/pull out worktop

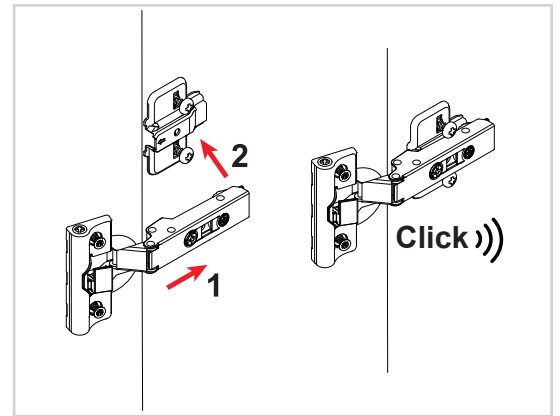
Slide the drawer/pull out onto the runners, make sure the runner mechanism and the drawer sides' groove line up.

Push the drawer/pull out back into the unit after it has been positioned on the runners; you should hear a click.



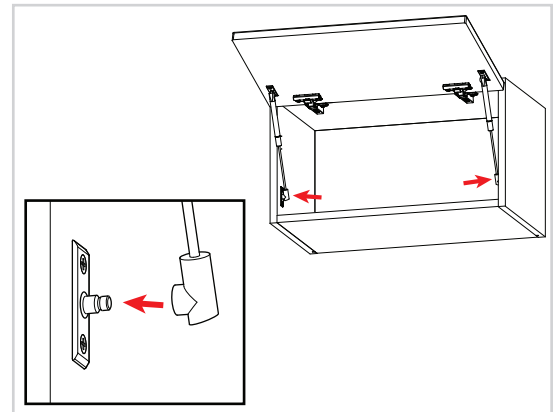
1 Lift Door Wall Attaching the frontal (if required)

The frontal should be re-attached to the unit by clipping the hinges onto the hinge plates. The bar of the hinge needs to be positioned into the hooks on the hinge plate. Then the rear of the hinge pushed to the hinge plate until it clicks.



Attaching the lift mechanisms

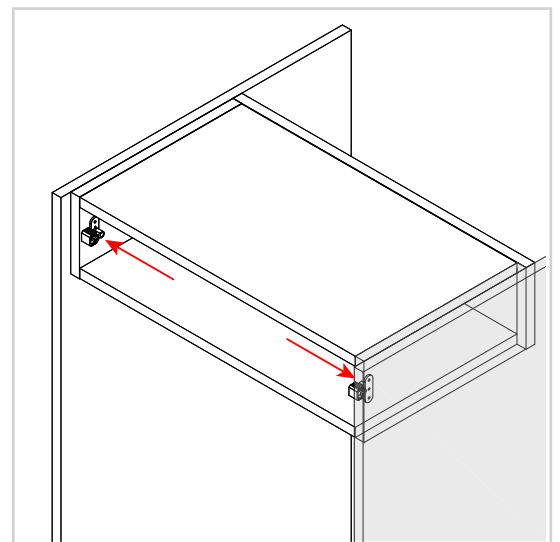
Push the lift hinge mechanisms back onto each of the brackets.



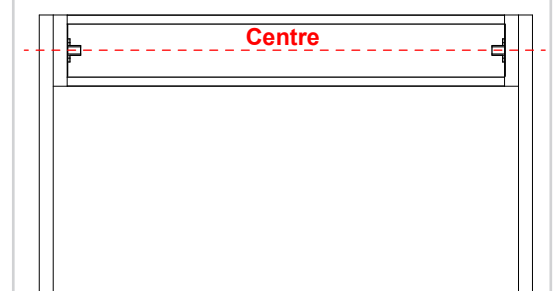
Non-Open Wall Unit Securing the dummy fixing clips onto the unit (Part A) (if required)

Mark the centre height of the unit side panels and align this with the centre of the dummy fixing clips (Part A).

Secure one dummy fixing clip (Part A) to each side panel using **2x15mm** screws per clip.



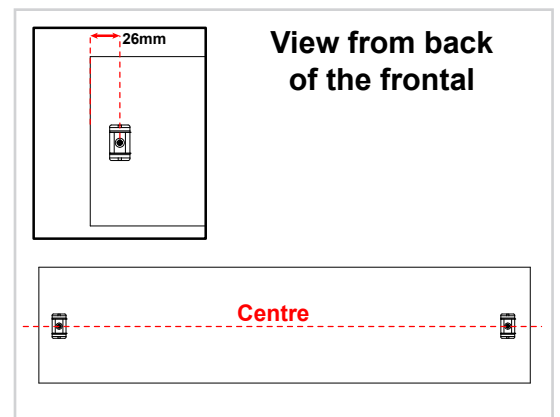
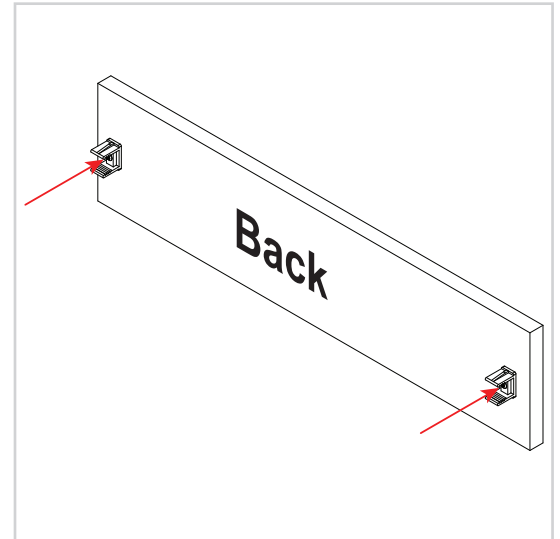
View from front of unit



Non-Open Wall Unit Securing the dummy fixing clips onto the frontal (Part B) (if required)

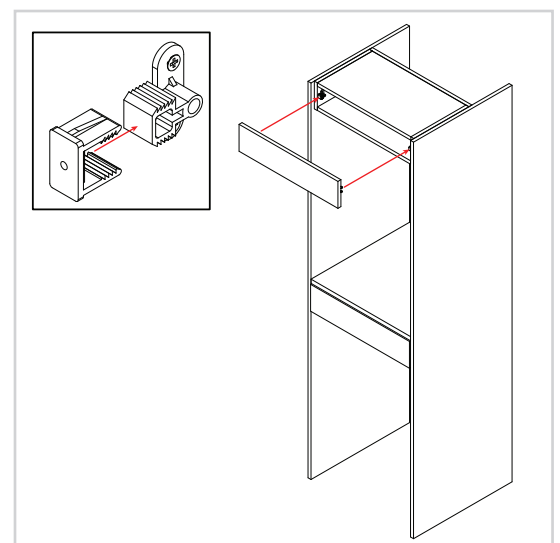
Mark back of the frontal **26mm** in from each side edges. Then mark the centre height of the panel and align this point with the centre of the dummy fixing clips (Part B).

Secure one dummy fixing clip (Part B) to each marked position on the back of the front panel using **1x15mm** screw per clip.



Non-Open Wall Unit Fixing the frontal to the unit (if required)

Push the fixing clips Part A and Part B together to attach the frontal to the unit.



Cleaning the unit

Finally, the unit should be thoroughly cleaned to remove any debris that may have accumulated during the installation.

Then install the **2** appliances, as instructed by the manufacturer instructions.

