

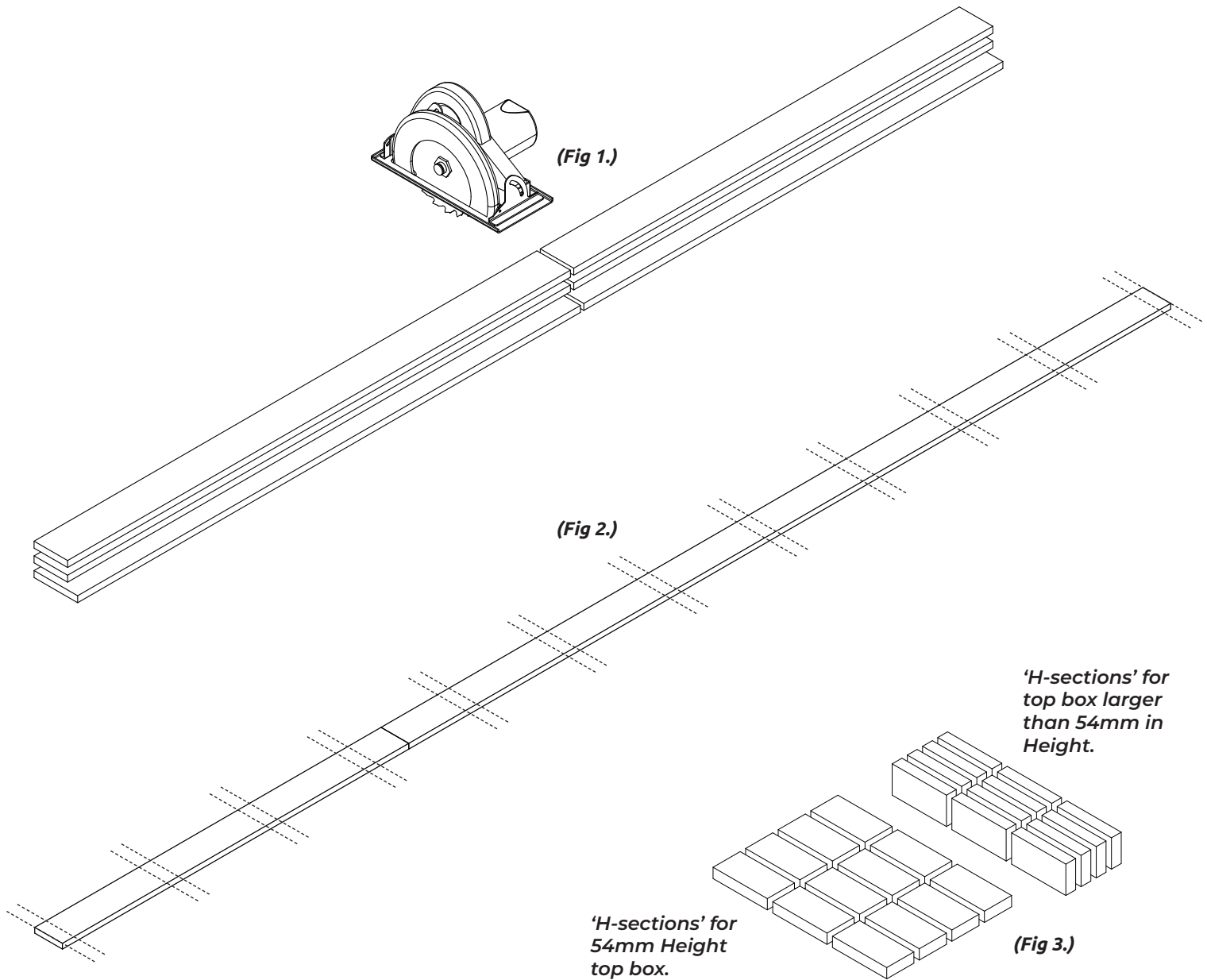
TOP BOX CONSTRUCTION IN SITU

Top Box Construction Guide

Ceiling Boxing 4 - FI.PK.BED.222.034

Step 1.

Cut rails to length. *(Fig 1.)*



Step 2.

Mark stud locations on the ceiling and transfer locations onto the top rail that will be fixed to the ceiling. *(Fig 2.)*
If studs are not available, mark locations every 400mm and ensure suitable fixings are used.

Step 3.

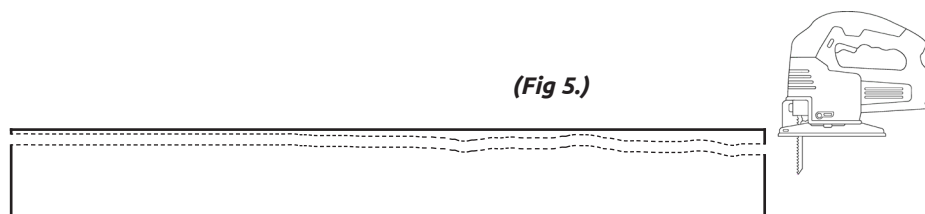
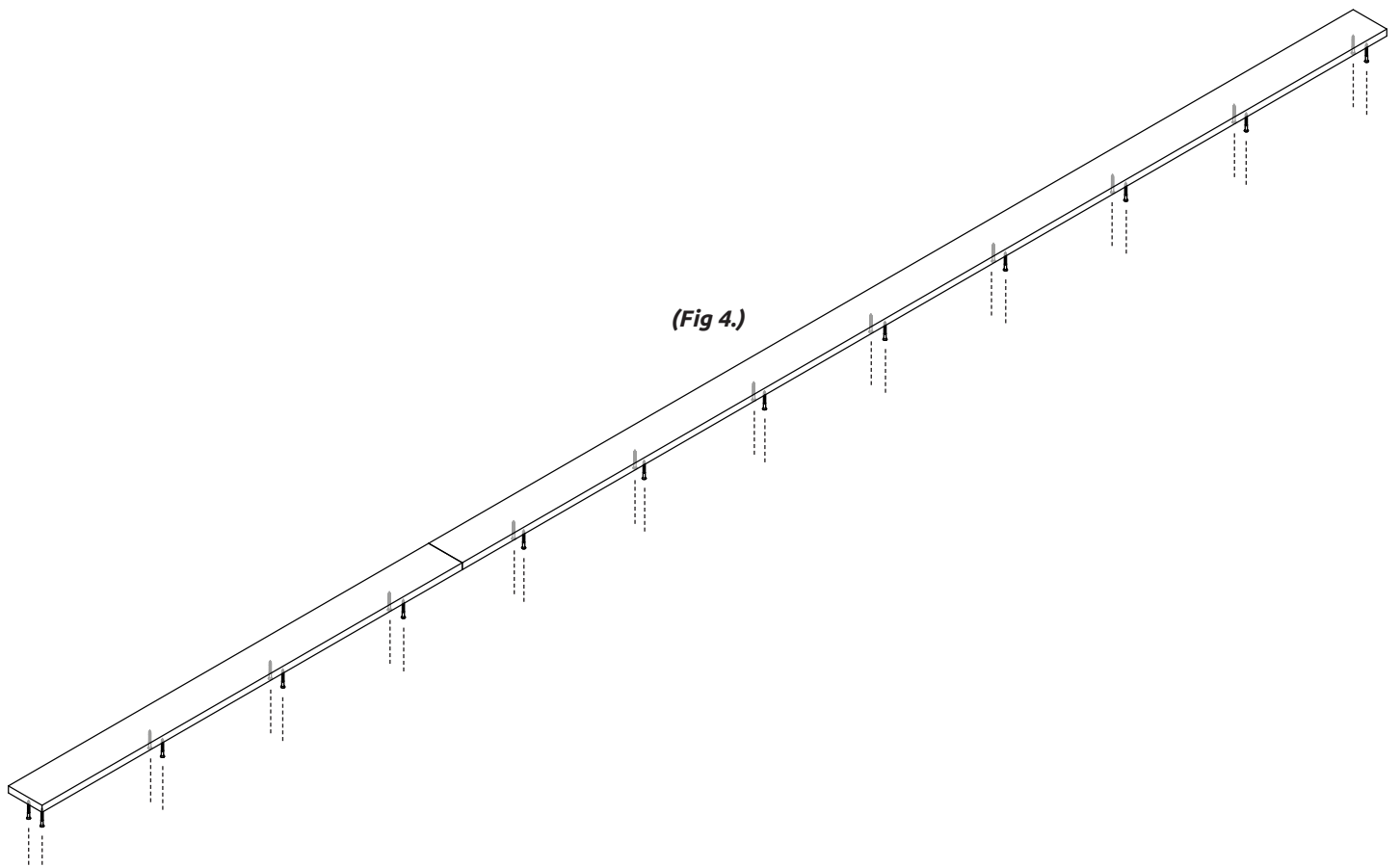
Cut 'H-sections' to match the number of studs in the ceiling, e.g. 12 for image above. *(Fig.2 & 3.)*
Where the box section is 54mm in height use 50 x 18 x 100 'H-sections' made from offcuts of the rails.
Where the box section is above 54mm use 'H' x 18 x 100 'H-sections', where H is the finished height of the box section -36mm. *(Fig 3.)*

Top Box Construction Guide

Ceiling Boxing 4 - FI.PK.BED.222.034

Step 4.

Screw top rail to the ceiling in marked positions. (Screws or fixings are not provided as they vary depending on ceiling material and construction.) **(Fig 4.)**



Step 5.

Scribe front fascia panel to the ceiling. **(Fig 5.)**

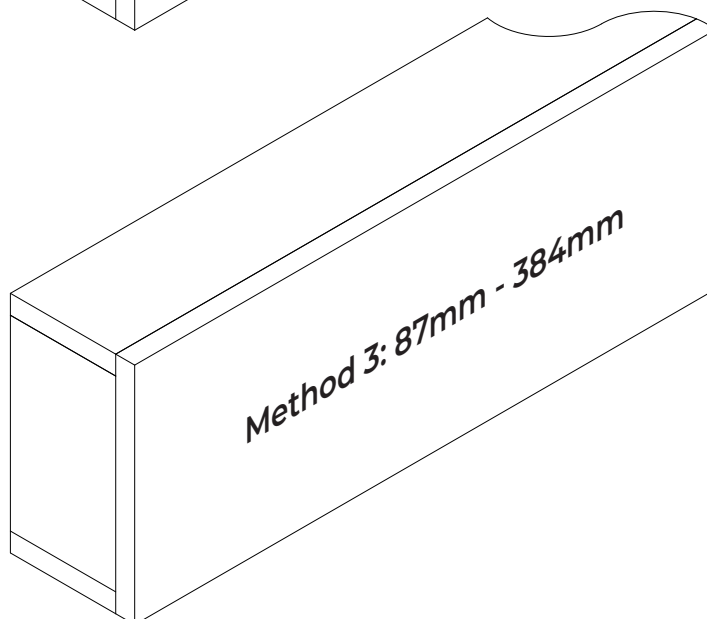
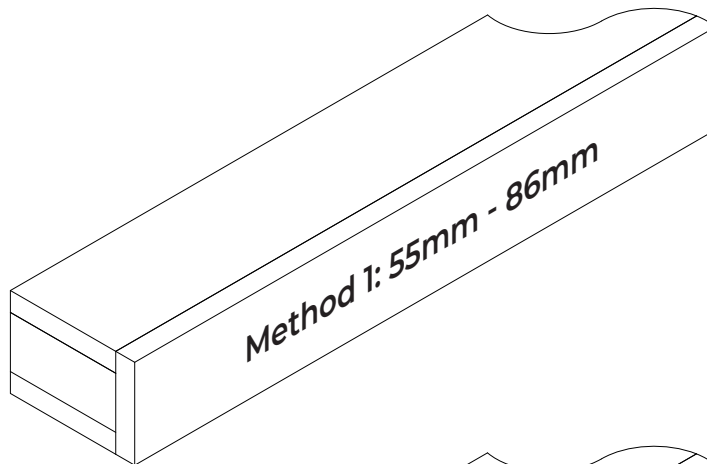
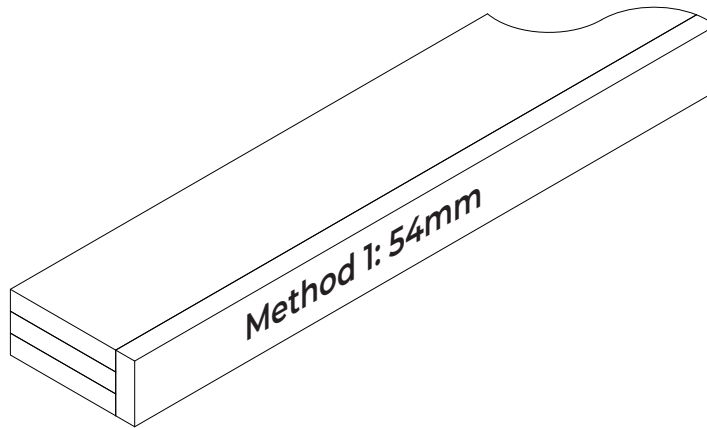
Top Box Construction Guide

Ceiling Boxing 4 - FI.PK.BED.222.034

Step 6.

Construct the Top Box using the method required for the correct top box dimensions.

- Method 1. **54mm Top Box** (Page 4)
- Method 2. **55-86mm Top Box** (Page 5)
- Method 3. **87-384mm Top Box** (Pages 6-7)



Top Box Construction Guide

Ceiling Boxing 4 - FI.PK.BED.222.034

Step 6. (Method 1)

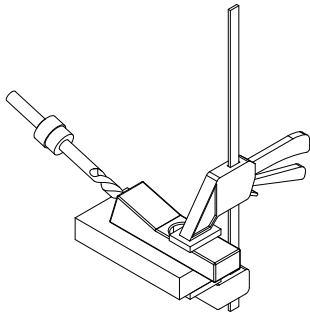
Pocket drill the faces of the 'H-sections' shown.

Step 6.i

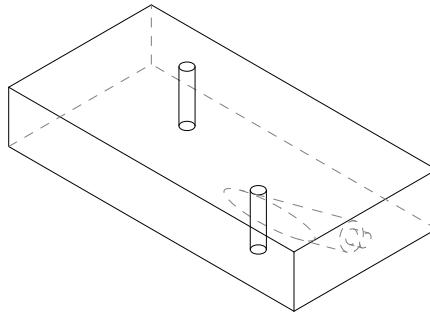
Pilot drill 'H-sections'.

Step 6.ii

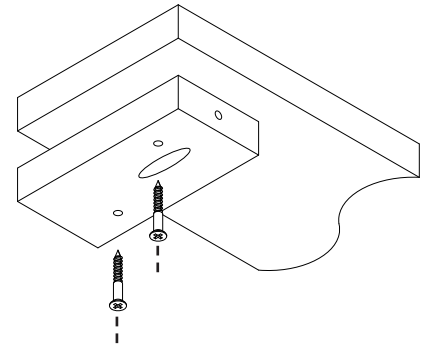
Screw 'H-sections' to the top rail on the ceiling using 2 x 30mm screws per 'H-section'.



'H-Sections' for all Top Box Heights.



'H-Sections' for 54mm Height Top Box.

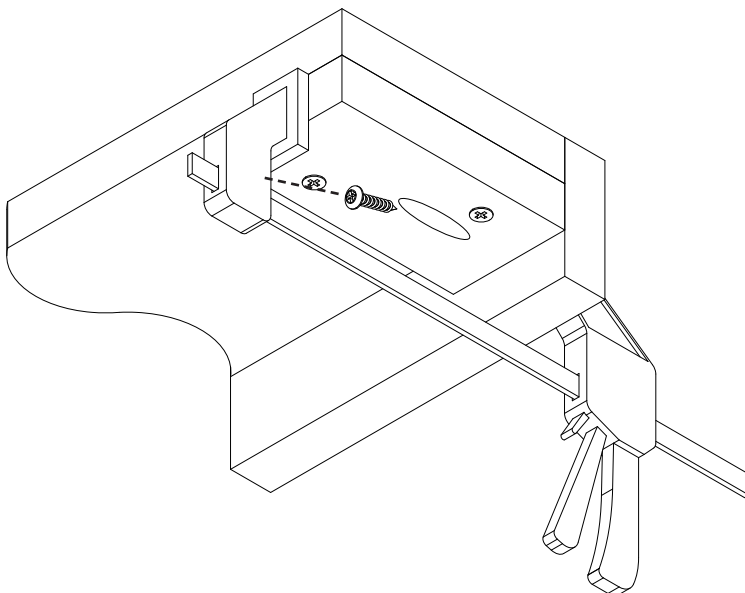


Attachment of 'H-sections' to the top rail for a Top Box height of 54mm.

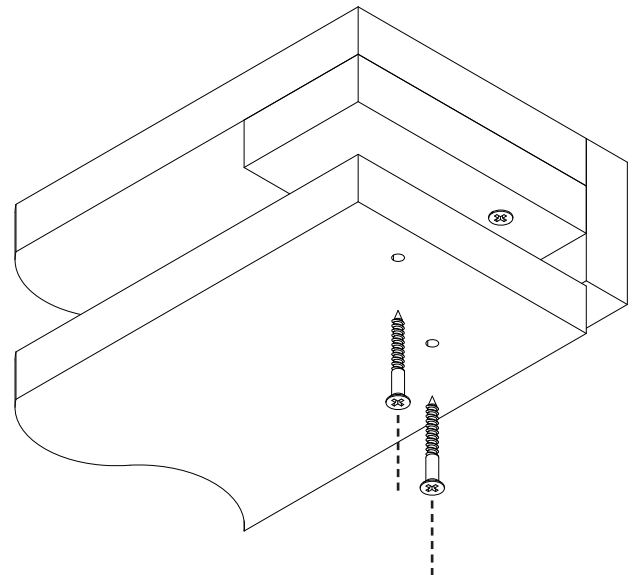
Step 6.iii

Position front fascia panel and clamp in place.

Using 25mm panhead screws, attach front fascia to the front of the 'H-sections'. Be careful not to screw in too far as this will expose the screws on the front face of the fascia panel.



Attachment of front panel to 'H-sections' on a 54mm height Top Box.



Attachment of bottom panel to 'H-sections' on a 54mm height Top Box.

Step 6.iv

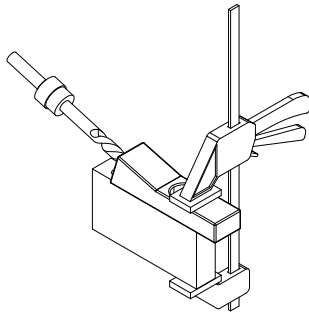
Pilot drill the bottom filler panel and using 35mm screws attach to the bottom of the 'H-sections'.

Top Box Construction Guide

Ceiling Boxing 4 - FI.PK.BED.222.034

Step 6. (Method 2)

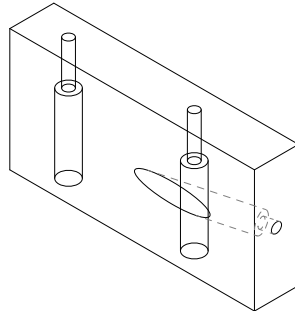
Pocket drill the faces of the 'H-sections' shown.



Additional Pocket screws required for 'H-sections' above 50mm in height.

Step 6.i

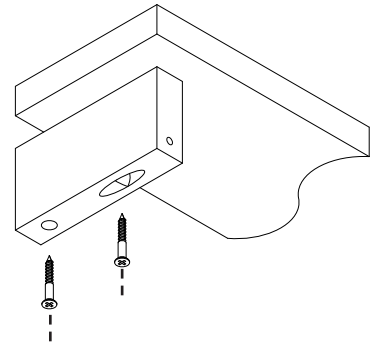
Pilot drill 'H-sections'.



'H-sections' for Top Box height between 54mm and 86mm.

Step 6.ii

Screw 'H-sections' to the top rail on the ceiling using 2 x 30mm screws per 'H-section'.

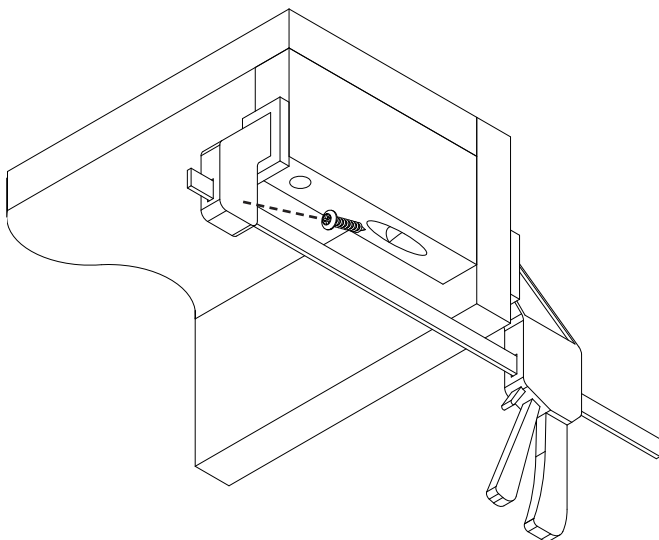


Attachment of 'H-sections' to the top rail for a Top Box height between 54mm and 86mm.

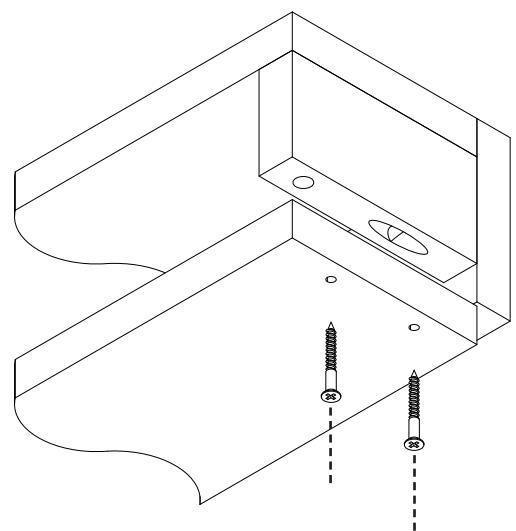
Step 6.iii

Position front fascia panel and clamp in place.

Using 25mm panhead screws, attach front fascia to the front of the 'H-sections'. Be careful not to screw in too far as this will expose the screws on the front face of the fascia panel.



Attachment of front panel to 'H-sections' on a Top Box height between 54mm and 86mm.



Attachment of bottom panel to 'H-sections' on a Top Box height between 54mm and 86mm.

Step 6.iv

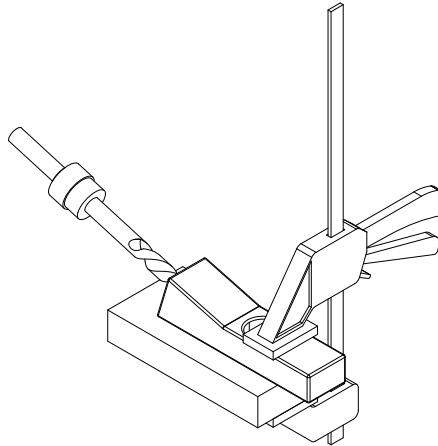
Pilot drill the bottom filler panel and using 35mm screws attach to the bottom of the 'H-sections'.

Top Box Construction Guide

Ceiling Boxing 4 - FI.PK.BED.222.034

Step 6. (Method 3)

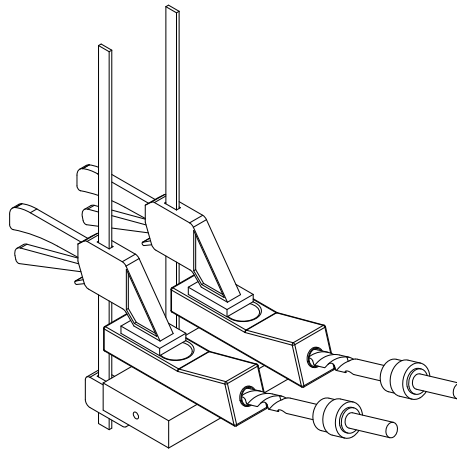
Pocket drill the faces of the 'H-sections' shown.



'H-Sections' for all Top Box Heights.

Step 6.i

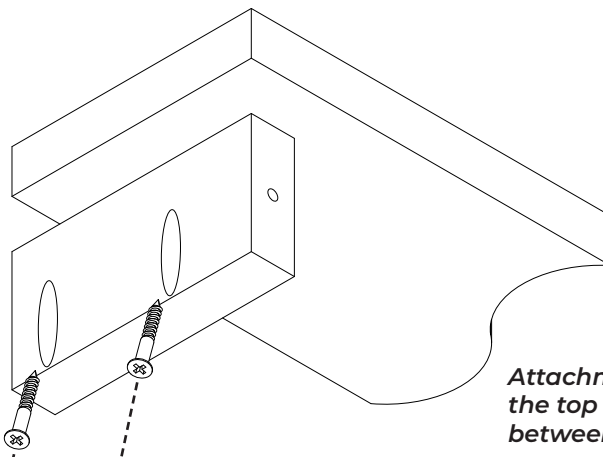
Drill additional holes in the 'H-sections' using pocket hole tool.



'H-sections' for Top Box height between 54mm and 86mm.

Step 6.ii

Screw 'H-sections' to the top rail on the ceiling using 2 x 30mm screws per 'H-section'.



Attachment of 'H-sections' to the top rail for a Top Box height between 86mm and 384mm.

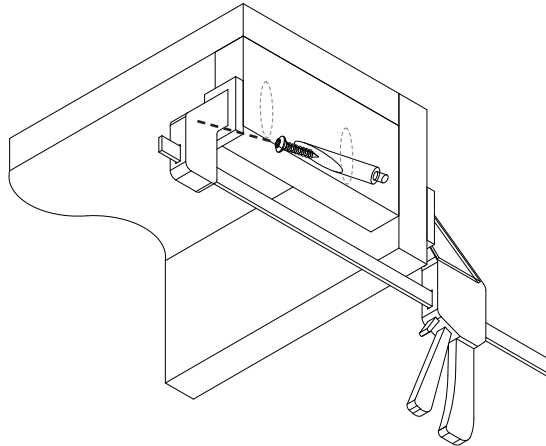
Top Box Construction Guide

Ceiling Boxing 4 - FI.PK.BED.222.034

Step 6.iii

Position front fascia panel and clamp in place.

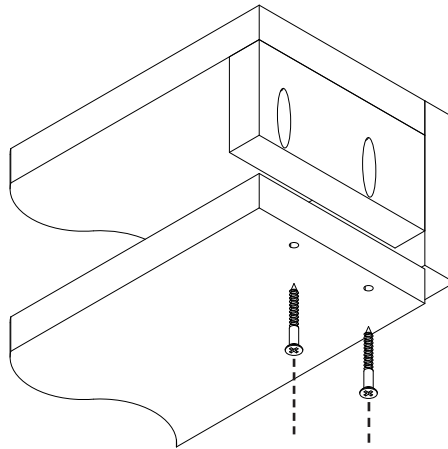
Using 25mm panhead screws, attach front fascia to the front of the 'H-sections'. Be careful not to screw in too far as this will expose the screws on the front face of the fascia panel.



Attachment of front panel to 'H-sections' on a Top Box height between 86mm and 384mm.

Step 6.iv

Pilot drill the bottom filler panel and using 35mm screws attach to the bottom of the 'H-sections'.



Attachment of bottom panel to 'H-sections' on a Top Box height between 86mm and 384mm.

Step 6.v

Place additional H-sections perpendicular to those mentioned above; Flush with the front of the top box construction to add extra support.

Screw these additional H-sections to the standard ones using 35mm screws.

