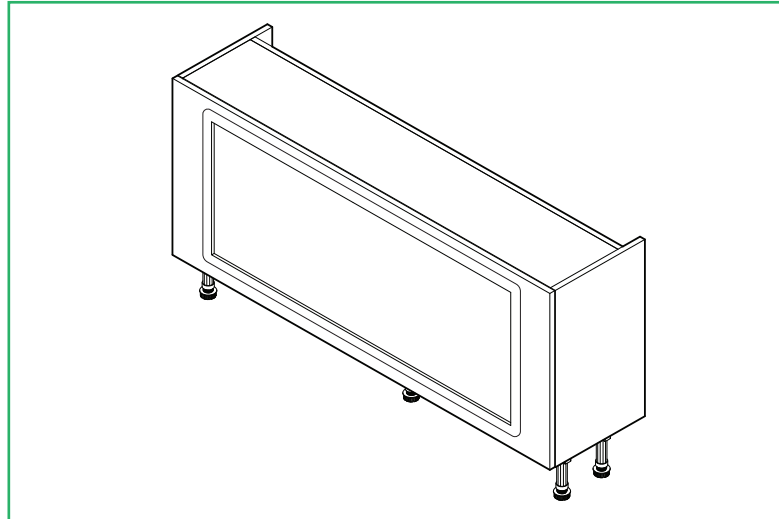


Base Unit

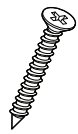
1400 - 1800, Fireplace Base (Solid Top, 5 Legs) - Fitting Guide



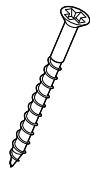
Unit Parts



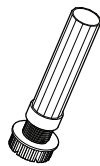
116x15mm
Screws



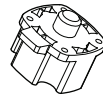
8x30mm
Screws



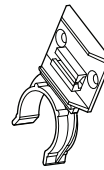
8x45mm
Screws



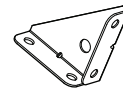
5x
Legs



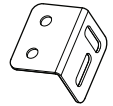
5x
Leg Brackets



2x
Plinth Clips

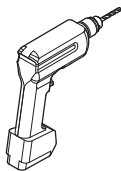


4x
Corner
Gusset Plates

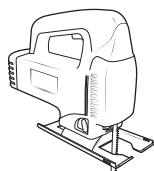


16x
L-Brackets

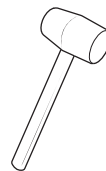
Tools Required



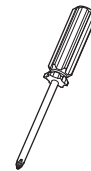
Drill



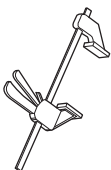
Jigsaw



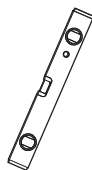
Mallet



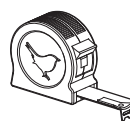
Screwdriver



Clamp



Spirit Level



Tape Measure



Pencil



Masking Tape

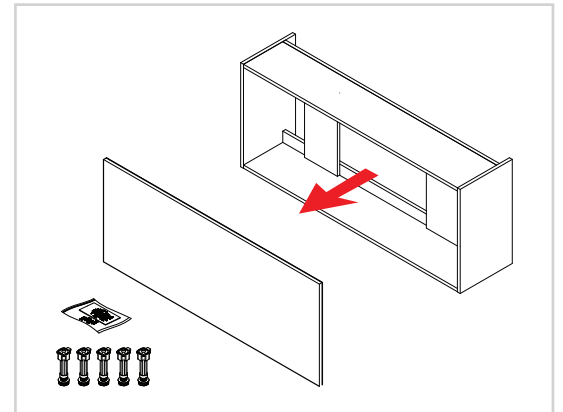
Remember to take care when unpacking. Please keep your workspace clean, clear, and tidy when working. This will help keep all items safe from damage. Any waste cardboard or plastic should be flattened down and placed in the bin.

A minimum of two people will be needed to lift the unit.

Removing the fittings

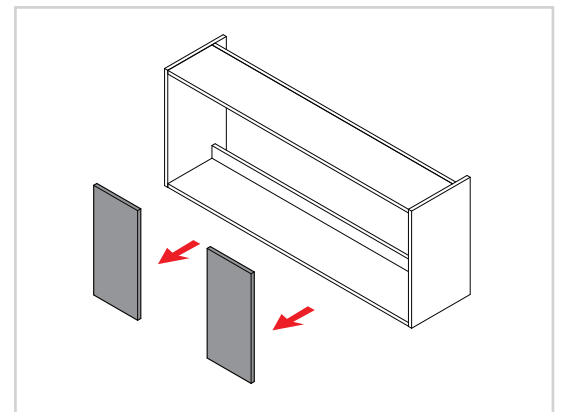
Remove all content so the unit is empty.

All fittings should be kept on a clean, level surface.



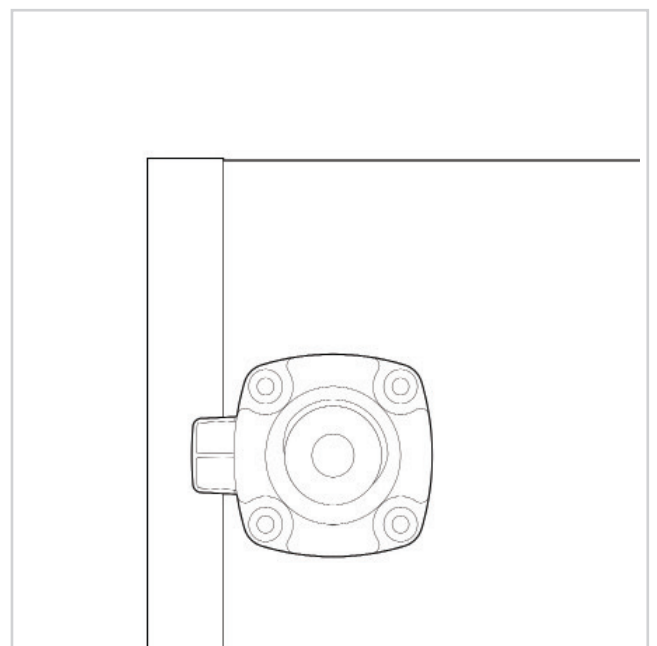
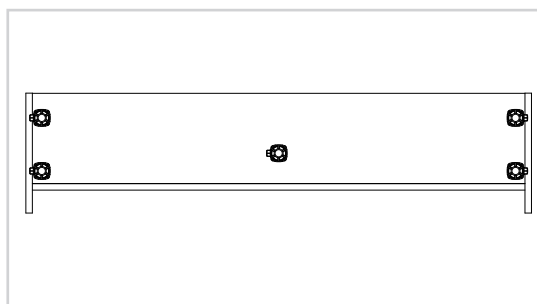
Removing the Packers

Unscrew and remove the packers from within the unit. Do not discard these as they will be required later.



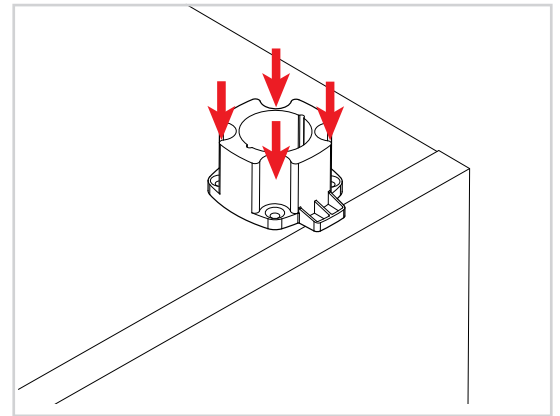
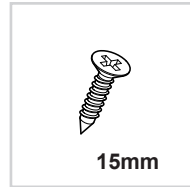
Positioning the leg brackets

Locate the leg brackets and position, as shown in the diagram. Ensure the leg brackets are rotated so the flange covers the outer edge, as this provides support for the edge of the cabinet.



Fixing the leg bases

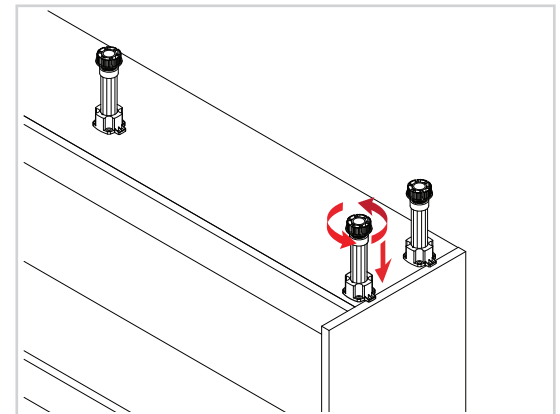
Secure each of the leg brackets into place with **4x15mm** screws per bracket.



Inserting the legs

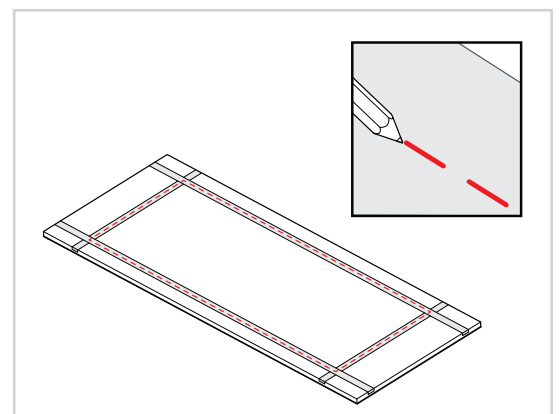
Push each leg firmly down into the leg bracket. Adjusting each leg to **155mm**.

Adjust the legs to the correct height by turning clockwise or anti-clockwise.



Marking the opening

Referring to the manufacturers guidelines use tape and a pencil to mark the fireplace opening dimensions on top of the front panel as shown.

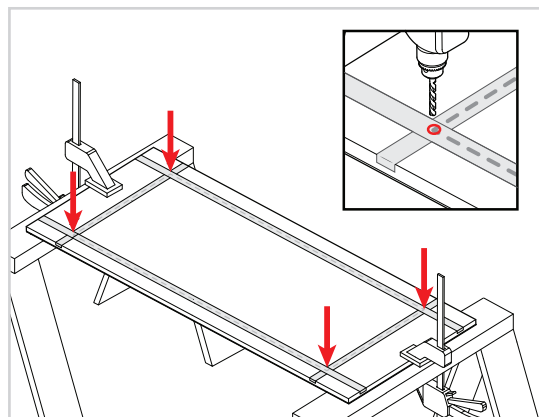


The opening should be centralised and correctly sized to the fit the appliance.

Drilling the frontal

Drill a hole at each corner of the marking.

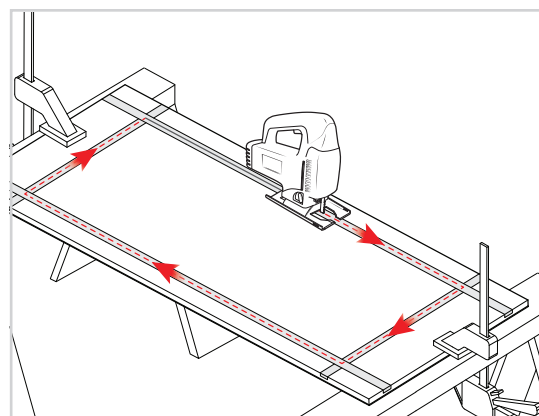
Make sure to stay inside the lines.



Cutting the opening

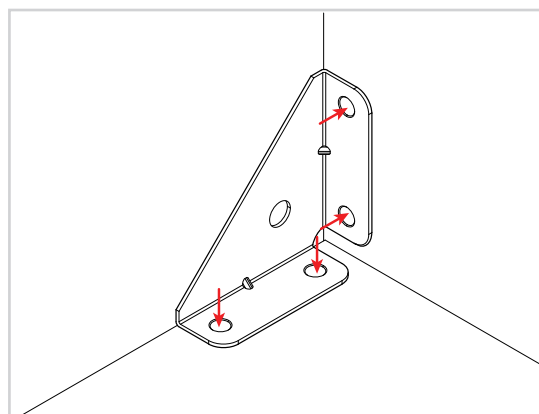
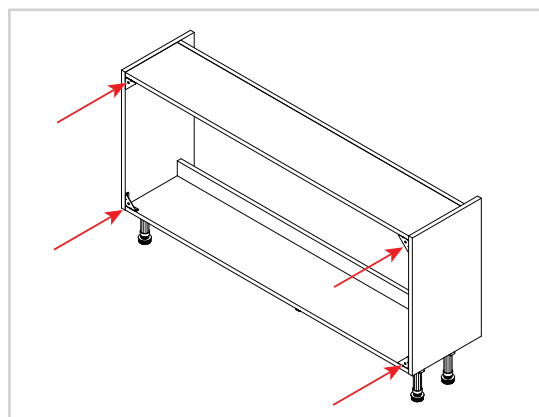
Start at one of the drilled corners and cut the markings with a jigsaw.

After the cut is complete, remove the masking tape.



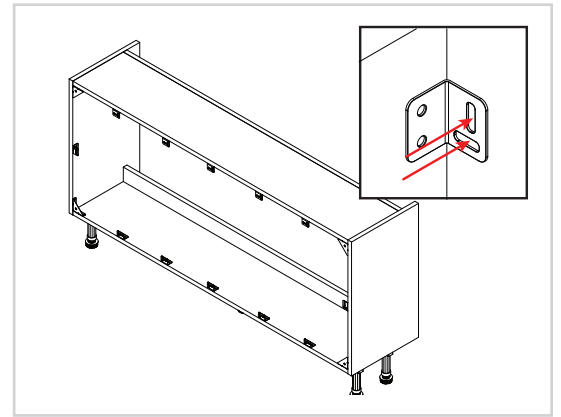
Installing the corner gussets

Secure the corner gussets to all **4** corners at the front of the unit using **4x15mm** screws per gusset.

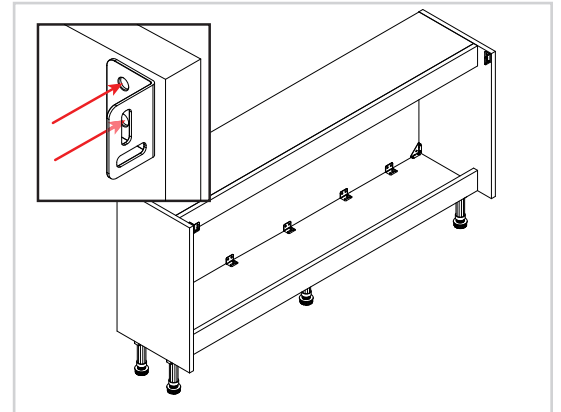


Installing the L-brackets

Secure the L-brackets to the front of the unit using **2x15mm** screws per bracket, these should be spaced evenly every **300mm**.



Secure the L-brackets at the top rear of the unit using **2x15mm** screws at each side.

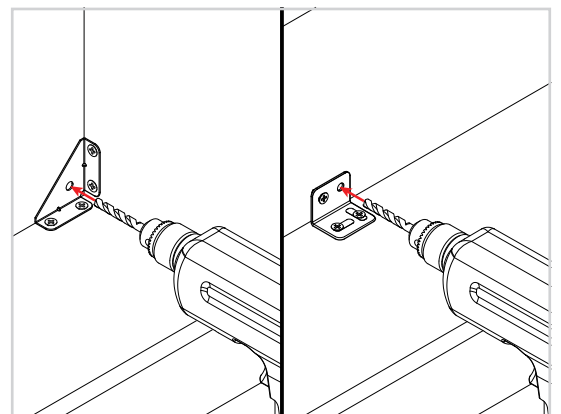
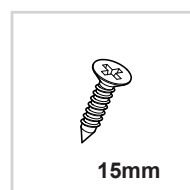
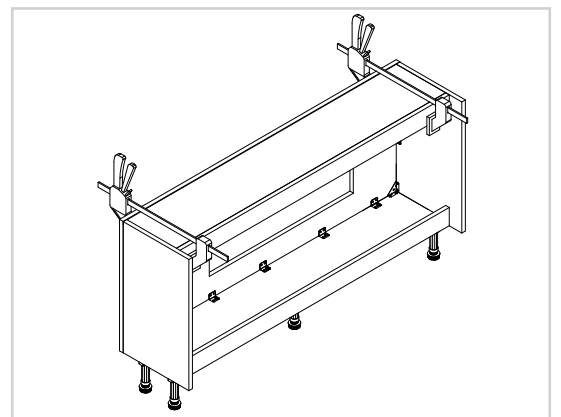


Fixing the front panel

Align the front panel with the corners of the unit and clamp into place.

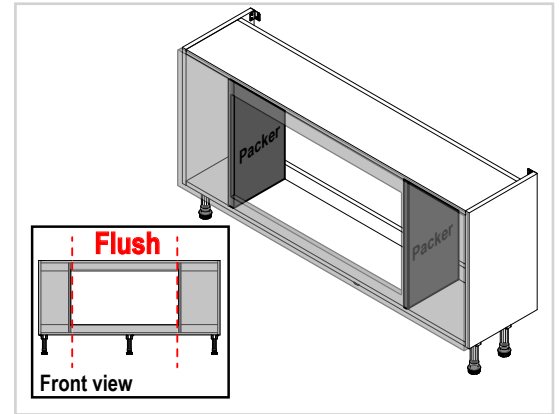
From within the cabinet pre-drill and fix the front panel in place using **15mm** screws, **2** through each L-bracket and **1** through each corner gussett, as shown.

Once secured remove the clamps.



Re-Inserting the packers

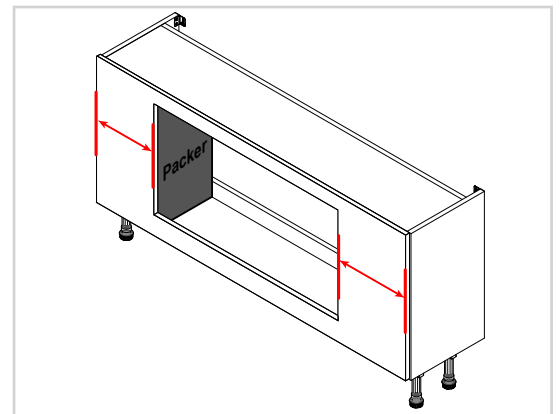
Re-position the packers inside the unit to sit flush against the frontal and inline with the sides of the fireplace opening.



Measuring the fixing points

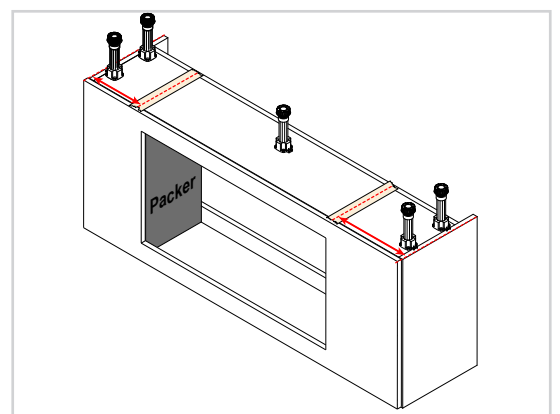
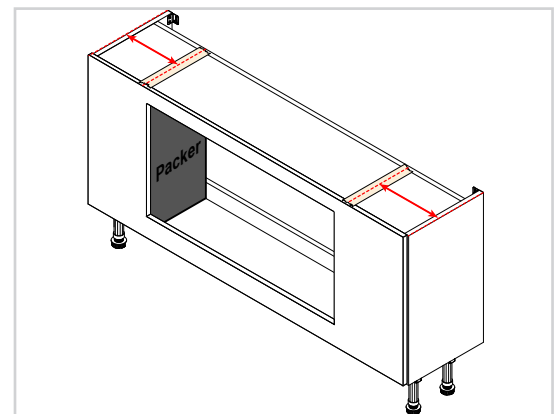
Each packer will be fixed in place with **4x45mm** screws. **2** through the top of the unit and **2** up through the base.

To determine the fixing locations measure and mark the side frame width at the front of the unit. Subtract **9mm** from this measurement.



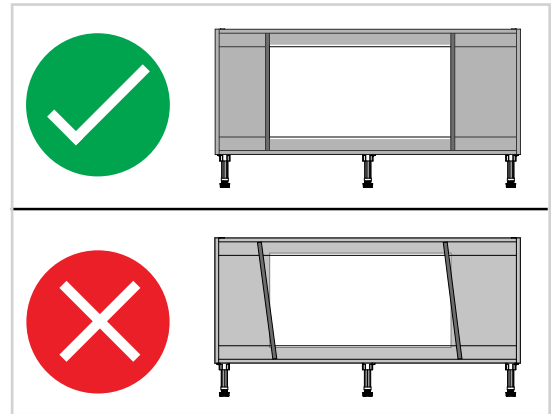
Transferring the fixing point measurements

Using tape and a pencil mark the points at the top and bottom of the unit, as shown.



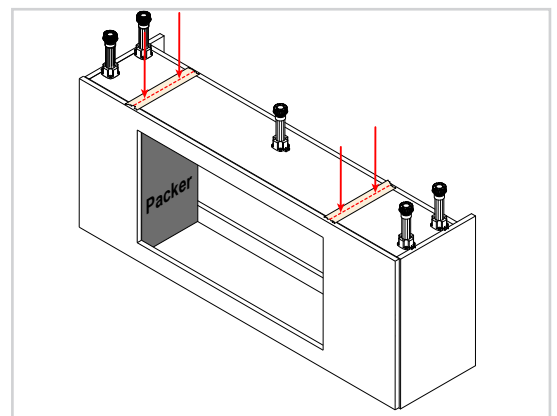
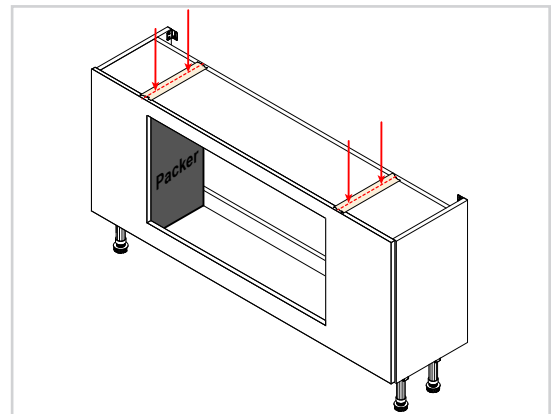
Levelling the packers

Prior to drilling use a spirit level to check the packers are straight.



Fixing the packers

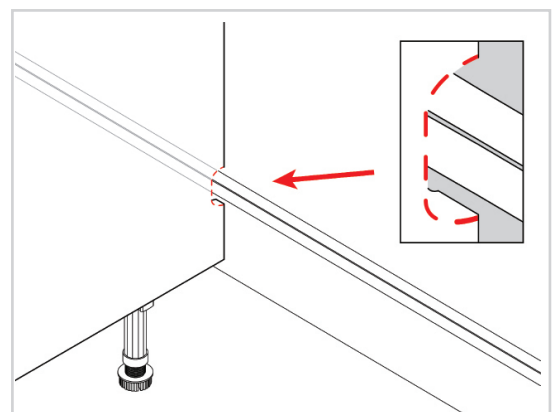
Pre-drill and fix each packer in place using the **4x45mm** screws provided. **2** through the top of the unit and **2** up through the base.



Notching out the side panel (if required)

In order to allow for any horizontal pipework running behind the unit, some units will require the back of the unit side to be notched out.

Create a notch for the horizontal pipes at the back of the end panels using a jigsaw.



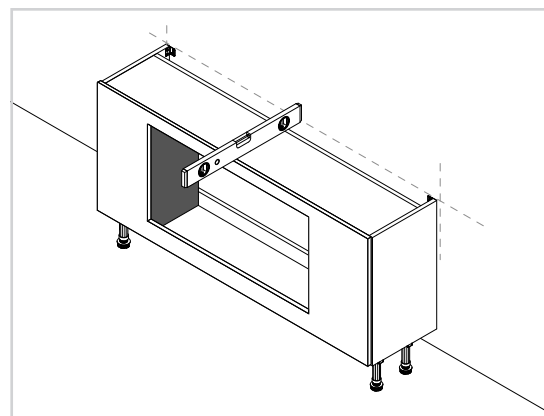
Lifting the unit into place

When lifting the unit into place do **not** tilt as this can damage the legs.

Place the unit against the wall and align it with the wall markings that will have been drawn during the room preparation stage.

Use a spirit level to ensure the unit is level from front to back, left to right, and diagonally. Adjust the legs if required.

The leg height can be adjusted by turning the foot of the leg clockwise or anti-clockwise.

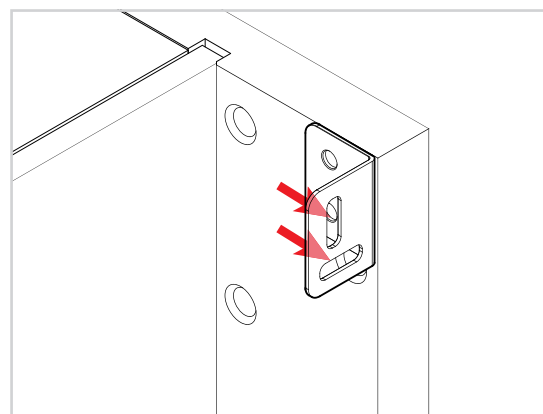


No screws or wall plugs are provided for attaching the unit to the wall. This is due to variations in wall construction.

Before drilling into the wall you MUST check for any hidden services or pipework within the walls.

Attaching the unit to the wall

Fix the unit to the wall through the L-brackets as shown in the image (these fixings are not provided).

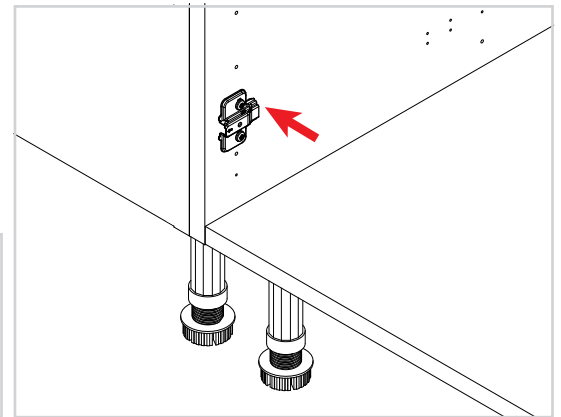
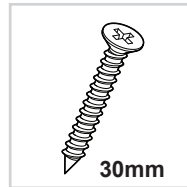


Securing to adjacent units

Clamp together the two units, checking the front edges are level and flush.

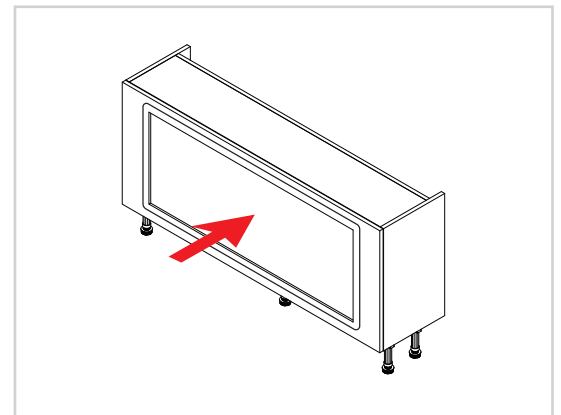
Using the screws provided, **1x30mm** screw should be fixed into each corner of the carcass side.

The screws can be concealed by placing them behind the shelf or behind the hinge plates. The cover caps can be used to hide any visible screw heads that remain.



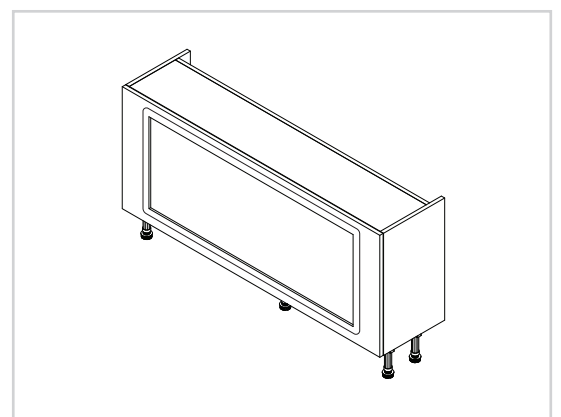
Installing the appliance

Carefully install the appliance following the manufacturers guidelines.



Cleaning the unit

Finally, the unit should be thoroughly cleaned to remove any debris that may have accumulated during the installation.



Store the plinth clips and the remaining 30mm screws.
These will be used later when attaching the plinth.