

FRONT FRAME

wren

Front Frame Drawer Unit

FI.PK.BED.222.038- FITTING PACK

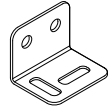
Supplied in pack:



4 x 30mm Screw



4 x 15mm Screw



2 x L bracket



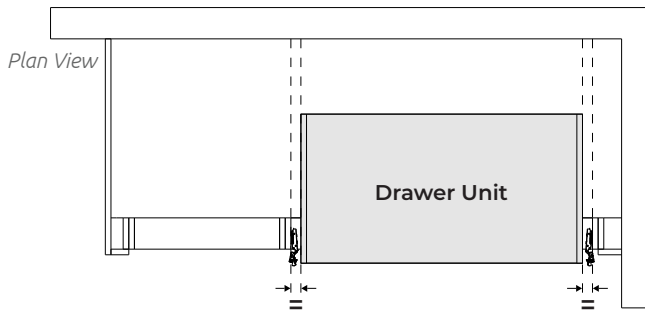
Screws and fixings for attaching to walls are not provided as these vary depending on materials, thickness and construction. Ensure appropriate fixings for wall construction are used.

Step 1.

Remove the drawer boxes from the drawer unit and set aside.

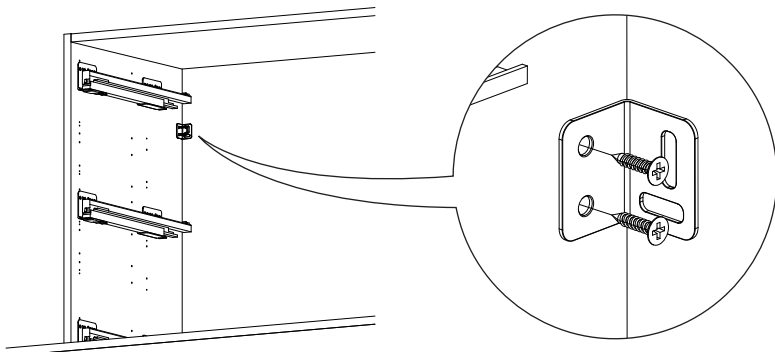
Remove the temporary back from the unit.

Position the drawer unit inside the front frame robe. **Ensure the drawer unit is positioned equally between the door hinges for the drawers to open fully without any collisions.**



Step 2.

Attach the L brackets to the rear of the drawer unit using the provided 15mm screws (2 per L bracket). Ensure they don't clash with the runners or drawer boxes.



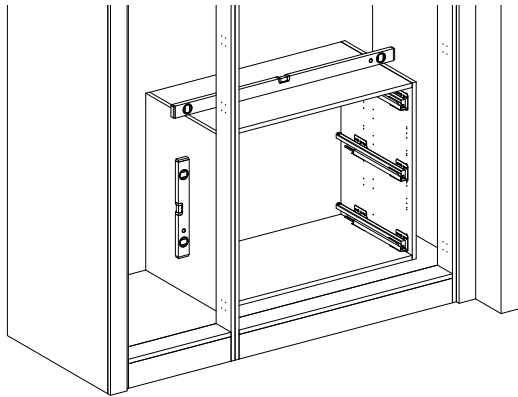
FRONT FRAME

Front Frame Drawer Unit

wren

Step 3.

Ensure the drawer unit is centred between the door hinges to prevent clashing and is level on all sides.



Step 4.

Secure the unit to the wall by screwing through the L brackets into the wall.

Screws and fixings not provided.

Secure the unit to the bottom shelf using the 30mm screws provided.

