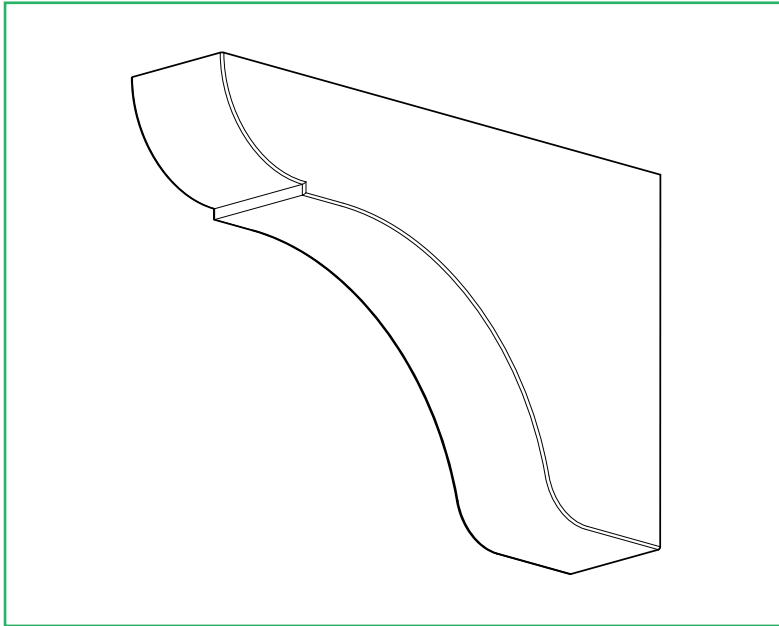
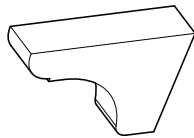


Worktop

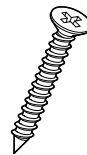
Worktop Corbel- Fitting Guide



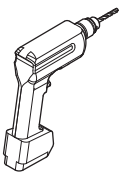
Unit Parts



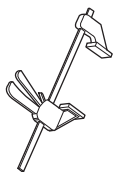
Corbel



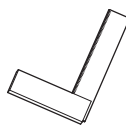
Screws
(Not Provided)



Drill



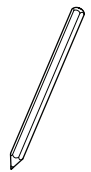
Clamp



Set Square



Masking Tape



Pencil

Tools Required

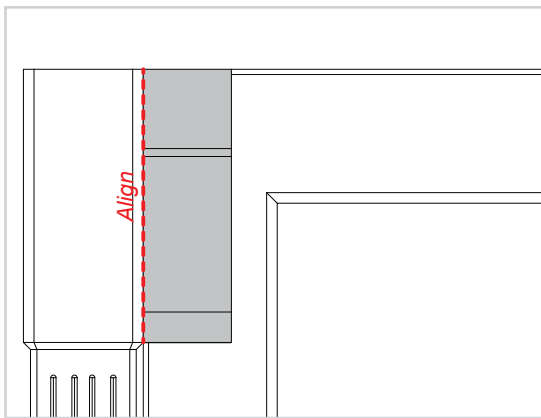


Worktop corbels are decorative features only and are not designed to support weight.

Fixings are not supplied, as the type and length required will vary depending on the cabinet construction, panel thickness, and installation configuration. Always select suitable fixings for the installation.

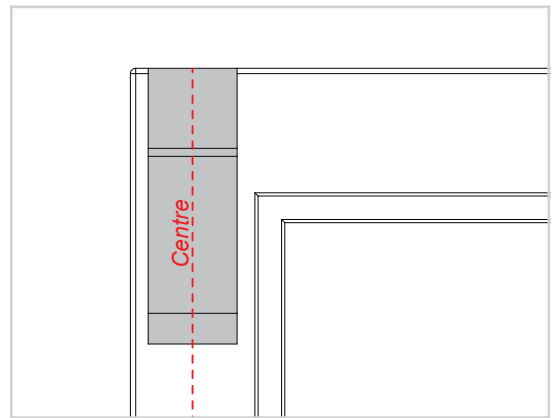
Positioning the Worktop Corbel

Confirm the final corbel position with the customer before installation.
Recommended positions are shown below:



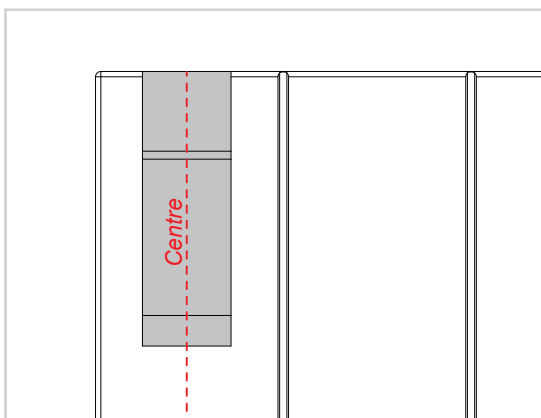
Shaker Decor with Island Leg

Position the corbel directly against the island leg.



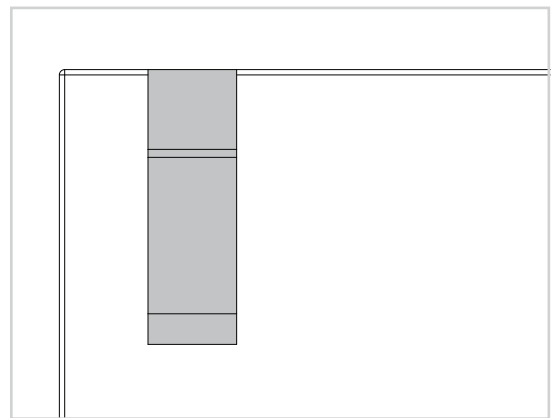
Shaker Chelsea or Shaker Denvor Decor

Position the corbel centrally on the layon detail.



Planked Decor

Position the corbel centrally within one of the planked sections.



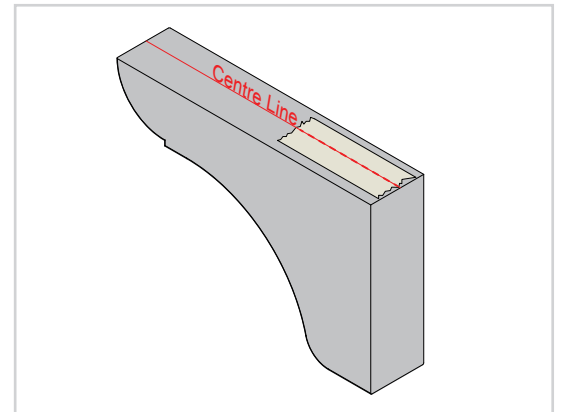
Slab Decor

Position the corbel in a visually balanced location that complements the slab design.

Remember to take care when unpacking. Please keep your workspace clean, clear, and tidy when working. This will help keep all items safe from damage. Any waste cardboard or plastic should be flattened down and placed in the bin.

Marking the Centre of the Corbel

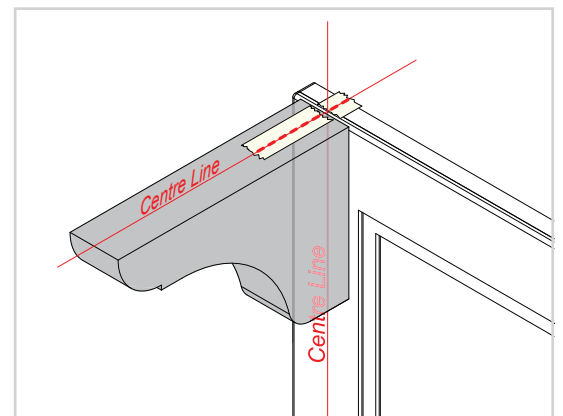
Locate the centre point on the top of the corbel and mark it using masking tape and a pencil.



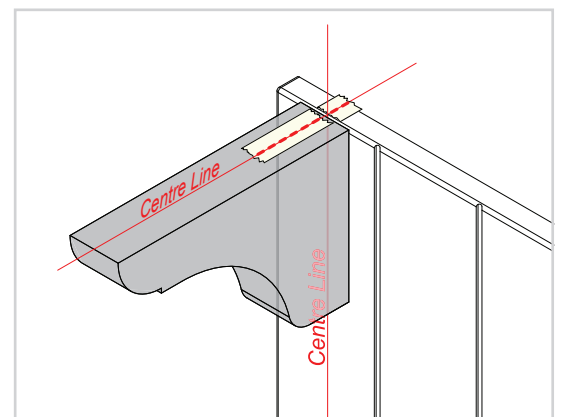
Finding the Centre Point of the Decor Panel

Refer to the diagram below that corresponds to your decor panel and corbel configuration:

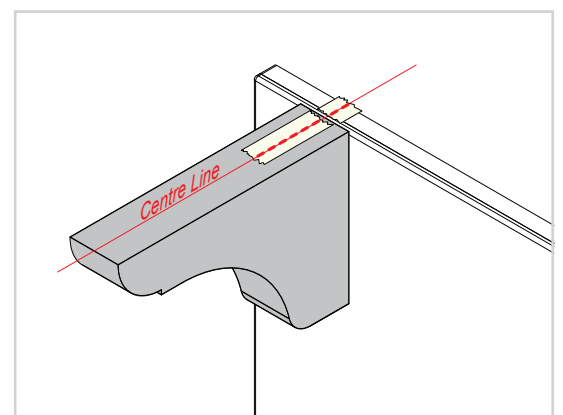
Shaker decor - Locate the centre of the layon detail and mark the top edge of the decor panel using masking tape and a pencil.



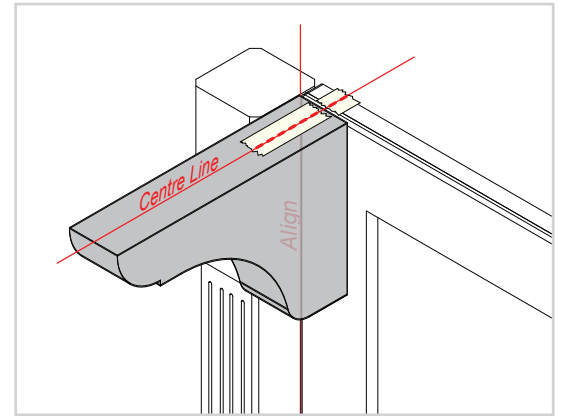
Planked decor - Locate the centre of the chosen plank section and mark the top edge of the decor panel using masking tape and a pencil.



Slab Decor - Hold the corbel in the chosen position and transfer the centre point of the corbel onto the top edge of the decor panel.



Shaker Decor with island leg - Hold the corbel against the island leg and transfer the centre point of the corbel onto the top edge of the decor panel.



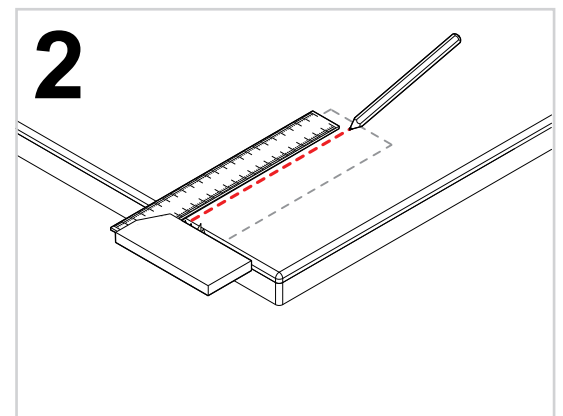
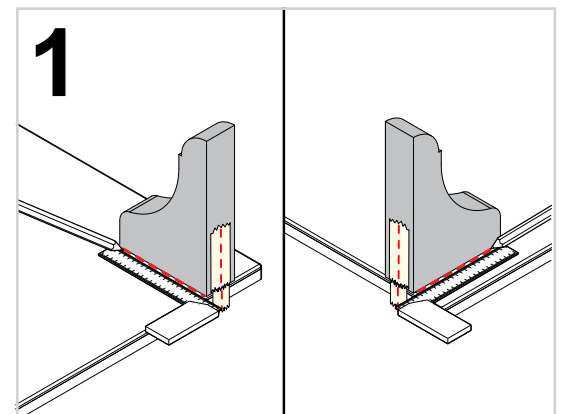
The next step is on the rear of the decor panel.

Marking the Decor Panel

Carefully place the decor panel onto a supportive surface with the rear face facing upwards.

Step 1 - Align the centre mark on the corbel with the centre mark on the decor panel, ensuring the corbel is flush with the top edge of the panel. Use a set square to ensure it is straight. Lightly draw around the outline of the corbel.

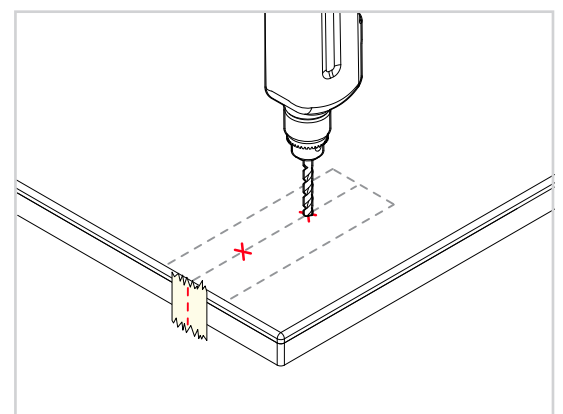
Step 2 - Remove the corbel and extend the centre mark within the marked outline, using a set square.



Pre-Drilling Pilot Holes

Along the marked centre line, mark two fixing positions evenly spaced within the outline of the corbel.

Pre-drill pilot holes at the marked positions.

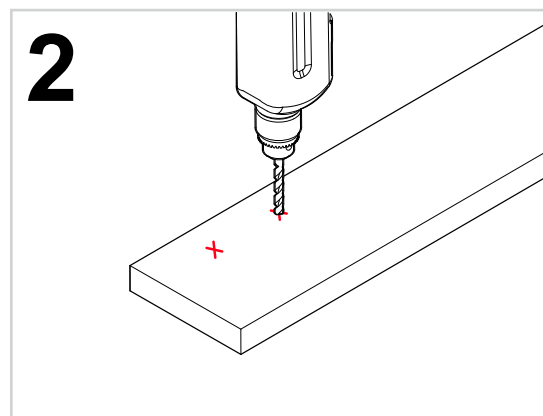
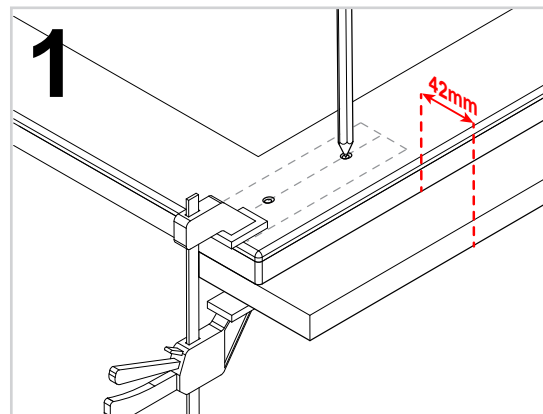


Preparing the Filler Panel (Shaker Decor with Island Leg)

Step 1 - Position a filler panel against the rear of the decor panel and clamp it securely in place, ensuring it overhangs the edge by **42mm**. Check that the filler panel is flush with both the top and bottom edges of the decor panel.

Using a pencil, transfer the positions of the pre-drilled holes from the decor panel onto the filler panel.

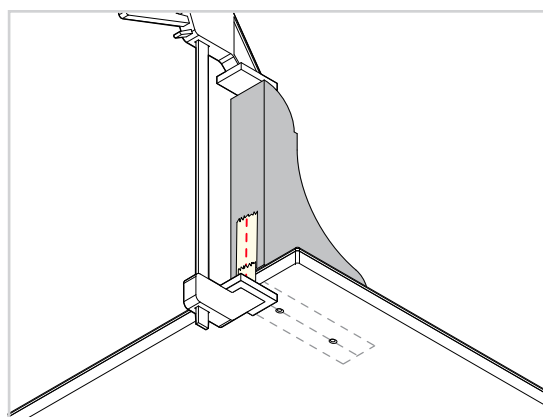
Step 2 - Remove the filler panel and pre-drill pilot holes at the marked positions.



Positioning the Corbel

Turn the decor panel over so that the front face is facing upwards.

Align the centre mark on the corbel with the centre line on the decor panel and clamp the corbel securely in position.



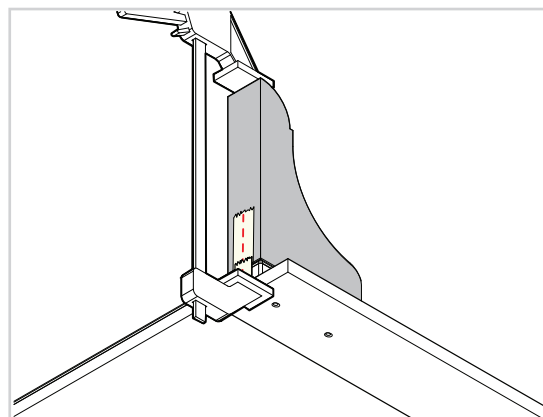
View from the underside

Shaker Decor with Island Leg Only

Turn the decor panel over so that the front face is facing upwards.

Clamp the filler panel to the rear of the decor panel with a **42mm** overhang, ensuring the pre-drilled holes are aligned.

Align the centre mark on the corbel with the centre line on the decor panel and clamp the corbel securely in position.

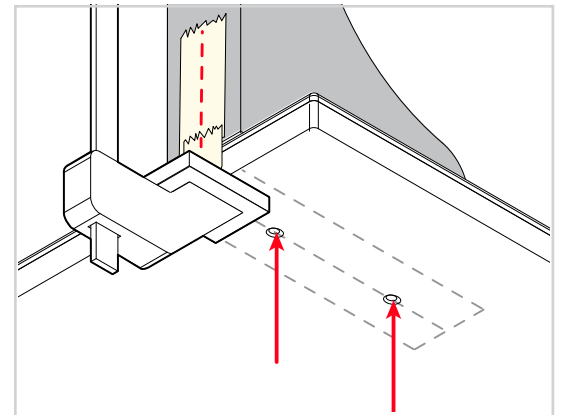


View from the underside

Securing the Corbel

From the rear of the decor panel, pre-drill into the corbel through the pilot holes already created.

Secure the corbel using **2x** suitable screws (not supplied).

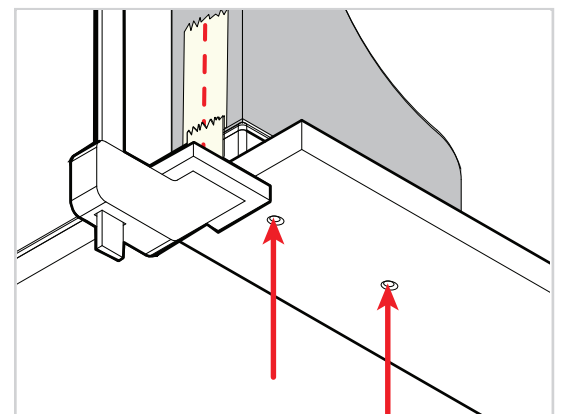


View from the underside

Shaker Decor with Island Leg Only

From the rear of the filler panel, pre-drill into the corbel through the pilot holes already created.

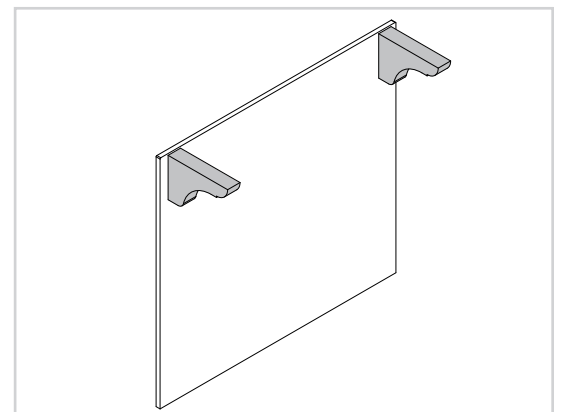
Secure the corbel using **2x** suitable screws (not supplied).



View from the underside

Attaching the Decor Panel

Once the corbel/s are secured, fit the decor panel to the cabinets. Refer to the “**Decor Panel**” fitting guide for further installation details.



When fixing the decor panel to the cabinet, stagger the fixing positions to avoid contact between the cabinet screws and the corbel fixing screws.