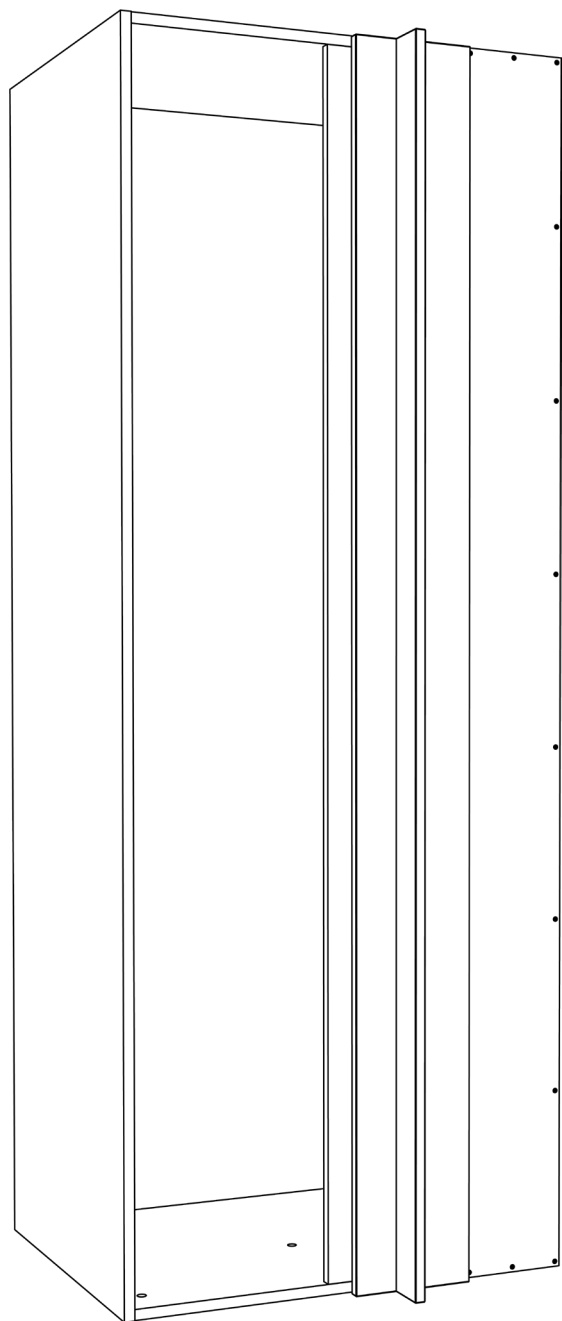
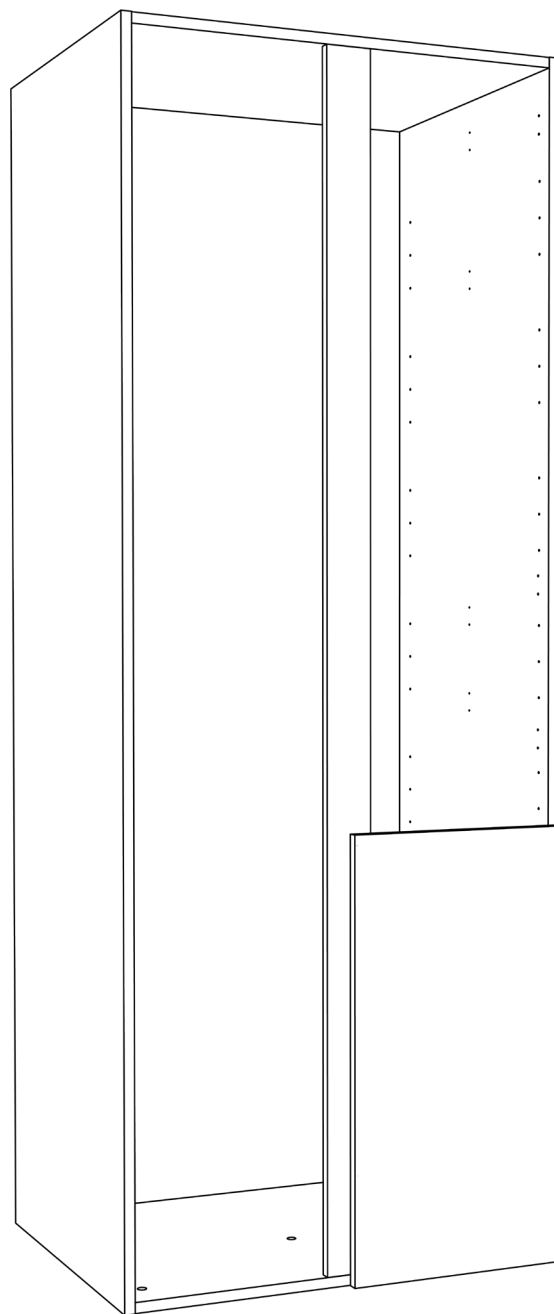


Adjustable / Stable Corner Robe Assembly Guide

FI.PK.BED.111.010 - INFINITY PLUS



Adjustable Corner Robe



Stable Corner Robe

**This guide is for use with 394 and 590 depth adjustable and stable corner robes.
For illustrative purposes the 590 robe is shown throughout.**

Adjustable / Stable Corner Robe Assembly Guide

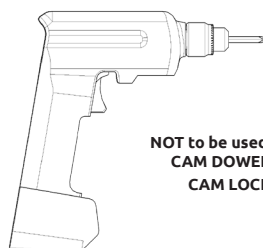
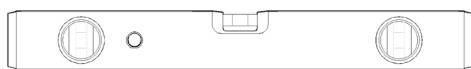
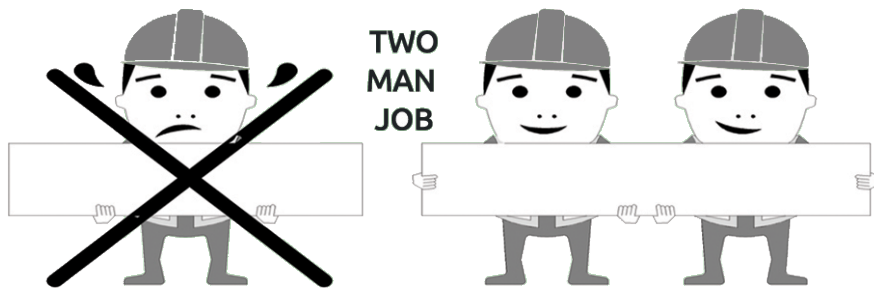


BEFORE YOU START

THIS PRODUCT MUST BE SECURED TO THE WALL

INSTALLATION SHOULD BE PERFORMED BY A COMPETENT PERSON ONLY.

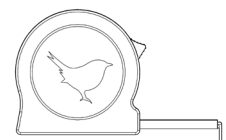
THIS PRODUCT COULD BE DANGEROUS IF INCORRECTLY INSTALLED



NOT to be used with
CAM DOWEL &
CAM LOCK

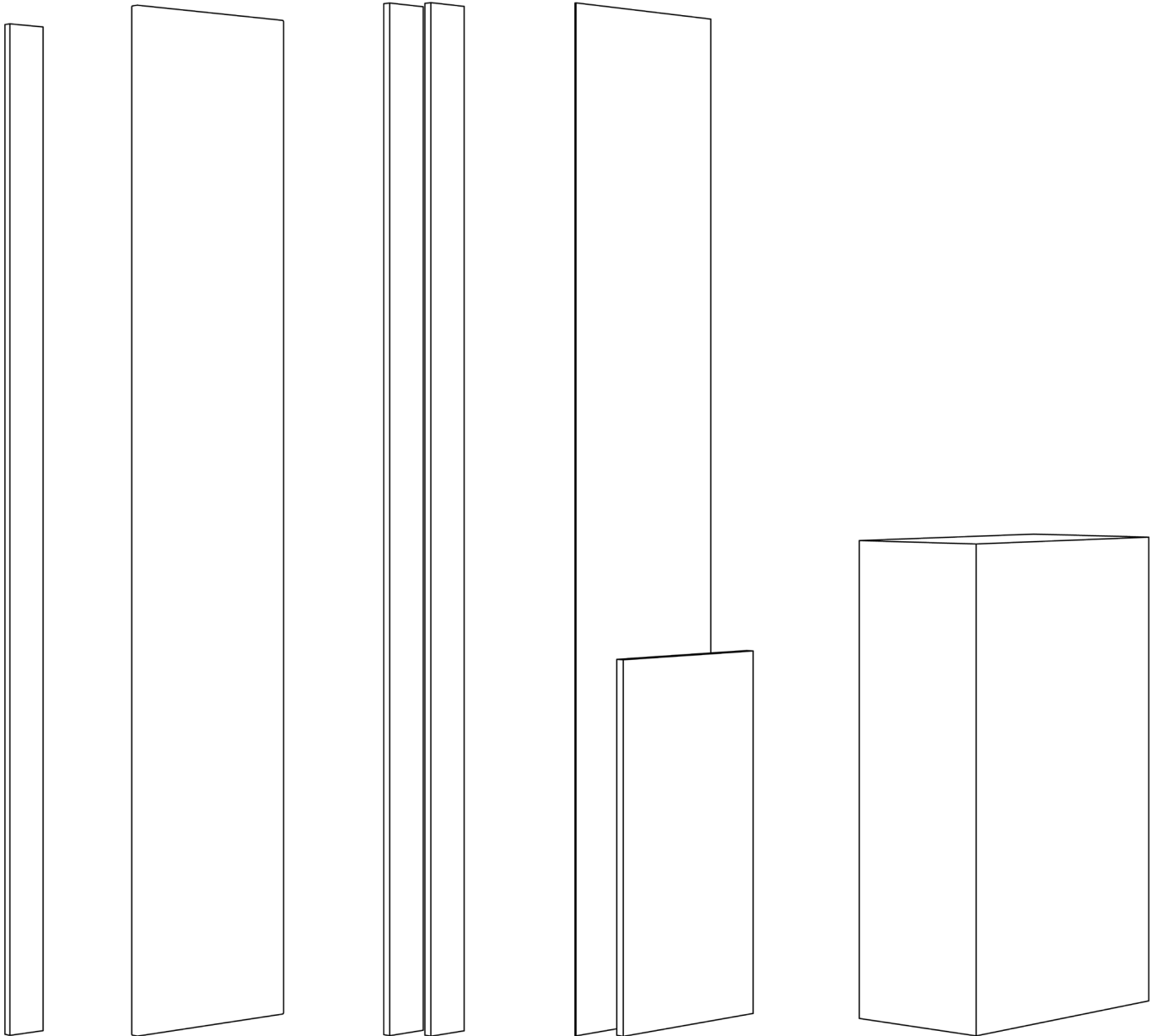


8mm
Hex Key



CONTENTS

4	Robe panels
5	Components
6	Muntin Post & Packer Fitting
7	Leg Attachment
8	Hinge Plate Locations
9	Secure Robe To Wall & Adjacent Units
10	Internal Layout Options
11	Hanging Rail Locations
12	Adjustable Corner Post Construction
13	Adjustable Corner Post Installation
14	Stable Corner Blanking Panel Installation
15	Hinge Adjustment
16	Loose Shelf Fitting



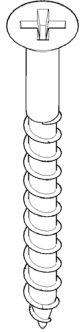
Muntin Post
(E)

Adjustable
Corner Post Panel
(Y)

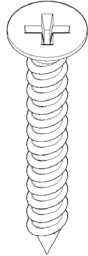
Fixing Rails
Z1 & Z2

Adj & Stable
Blanking Panel

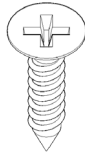
Hanging Rail / Loose Shelf Pack



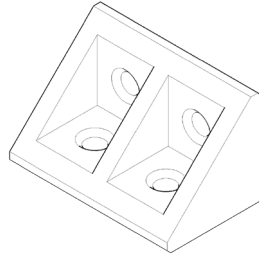
(J) x4
45mm
Screw



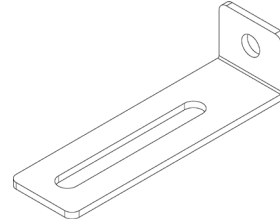
(K) x34
30mm
Screw



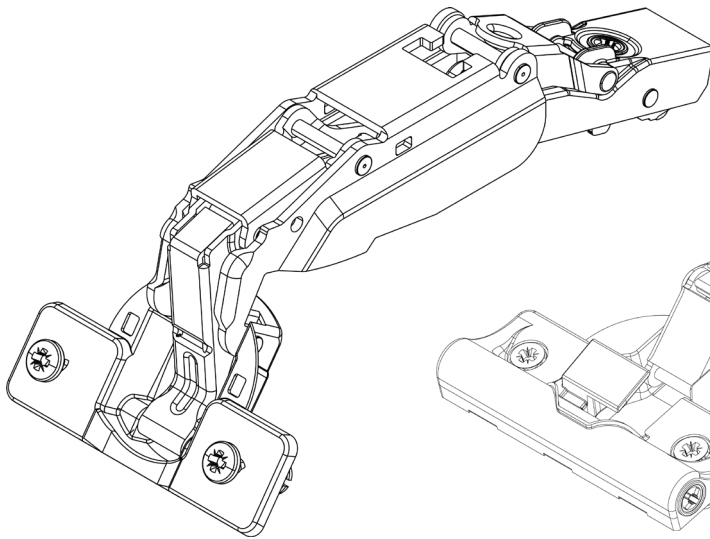
(L) x43
15mm
Screw



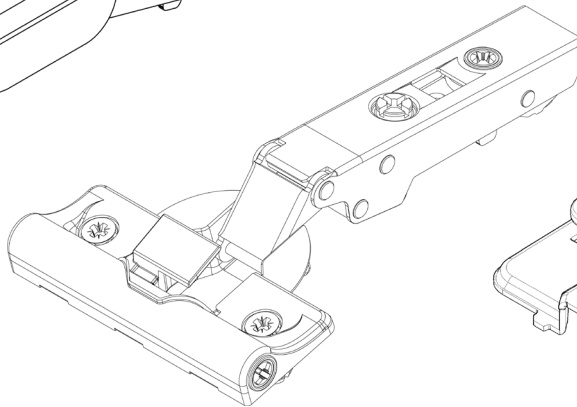
x7
Fixing Block



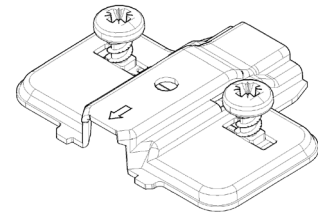
x2
Anti Tipping
Bracket



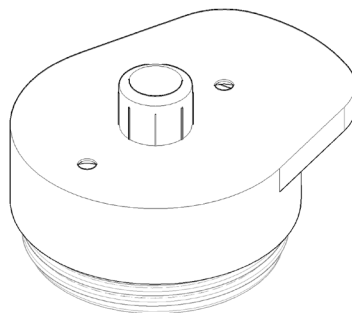
170° Hinges
Inc Screws
FOR FULL HEIGHT DOOR



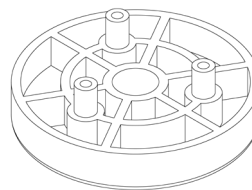
110° Hinges
Inc Screws
FOR STABLE DOOR



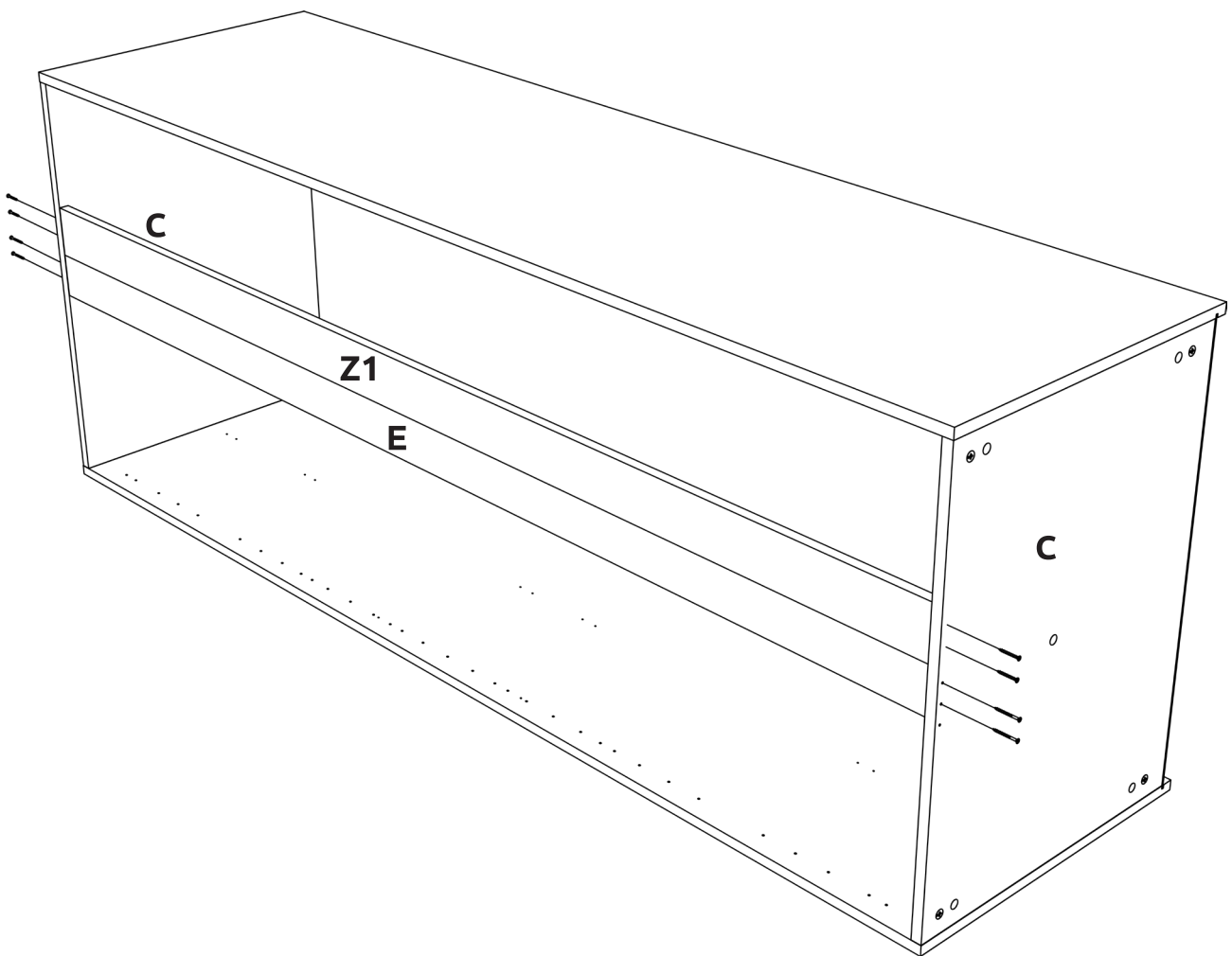
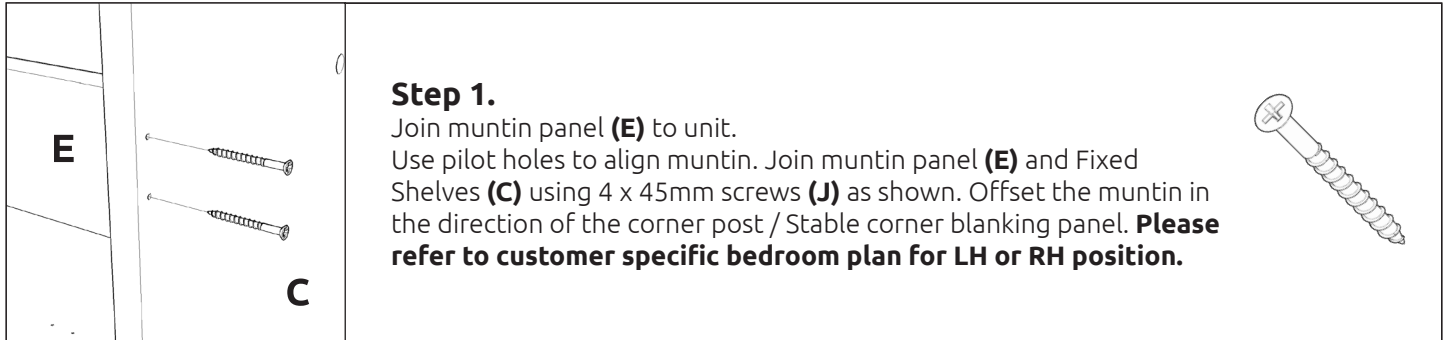
Hinge Mounting Plates
Inc Screws



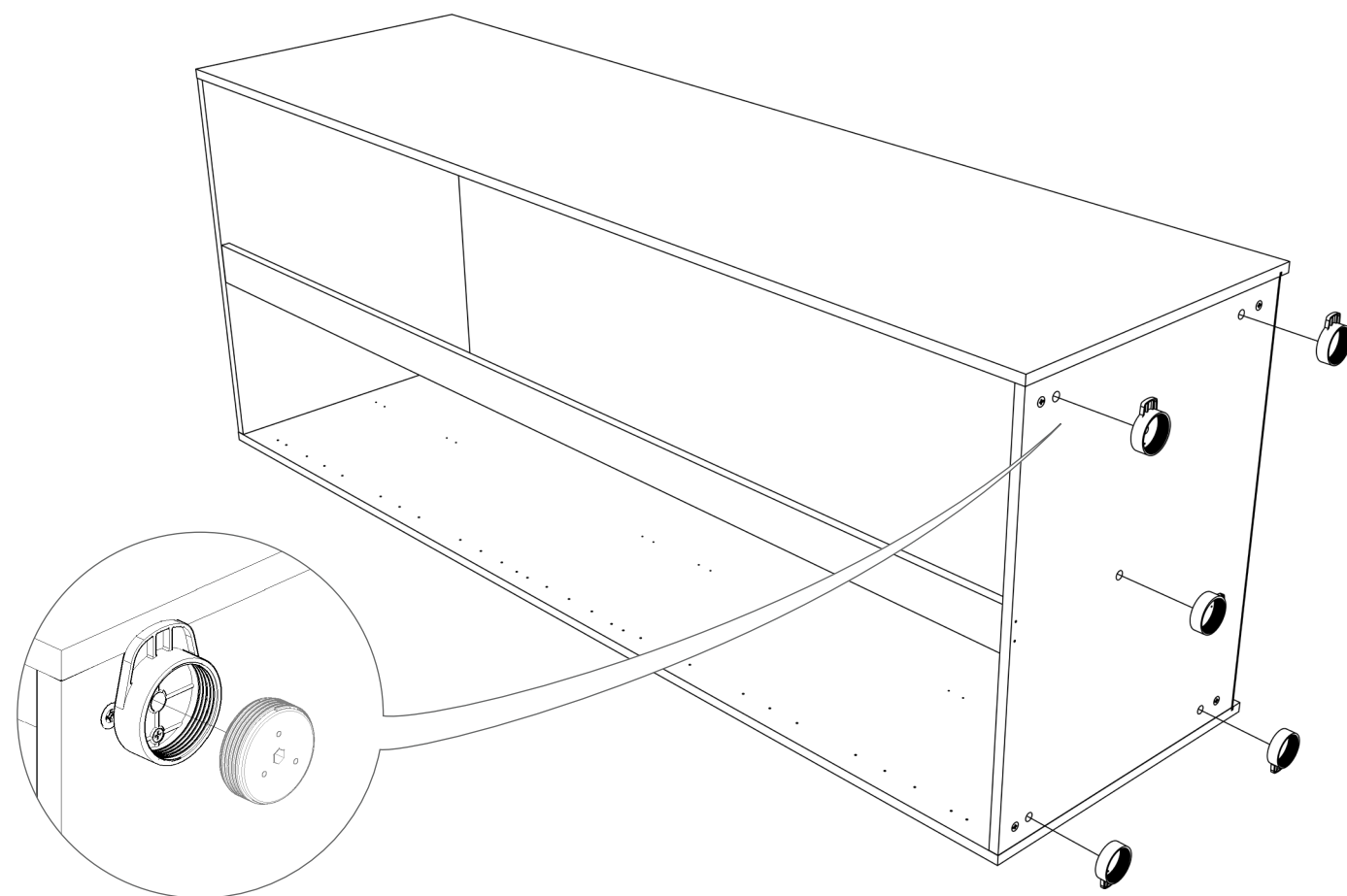
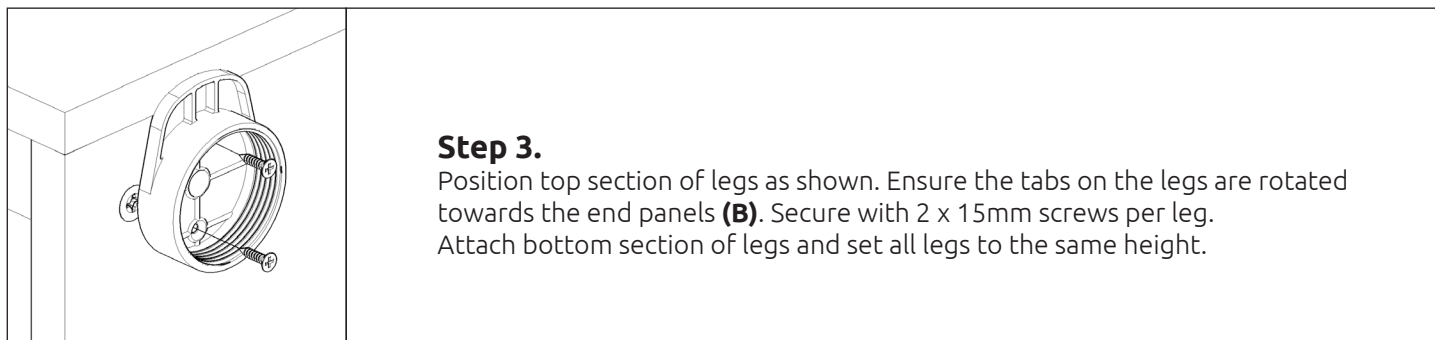
Robe Legs



**Robe Leg Extension
Packers**



Adjustable / Stable Corner Robe Assembly Guide

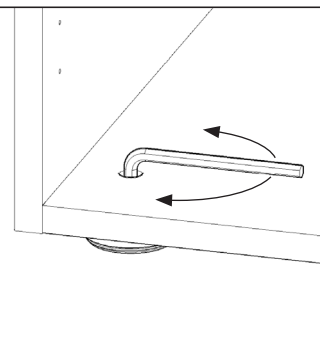


It is **important** to lift unit onto its legs. Do not tilt as depicted in image.

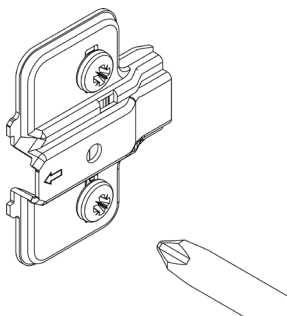


Step 4.

Lift the unit upright. Once in situ level accordingly, using an 8mm hex key from inside the robe. Attach leg packers to one side of the robe to level the robe on uneven surfaces. Cover leg holes with 15mm cover caps **(LL)**.



Adjustable / Stable Corner Robe Assembly Guide

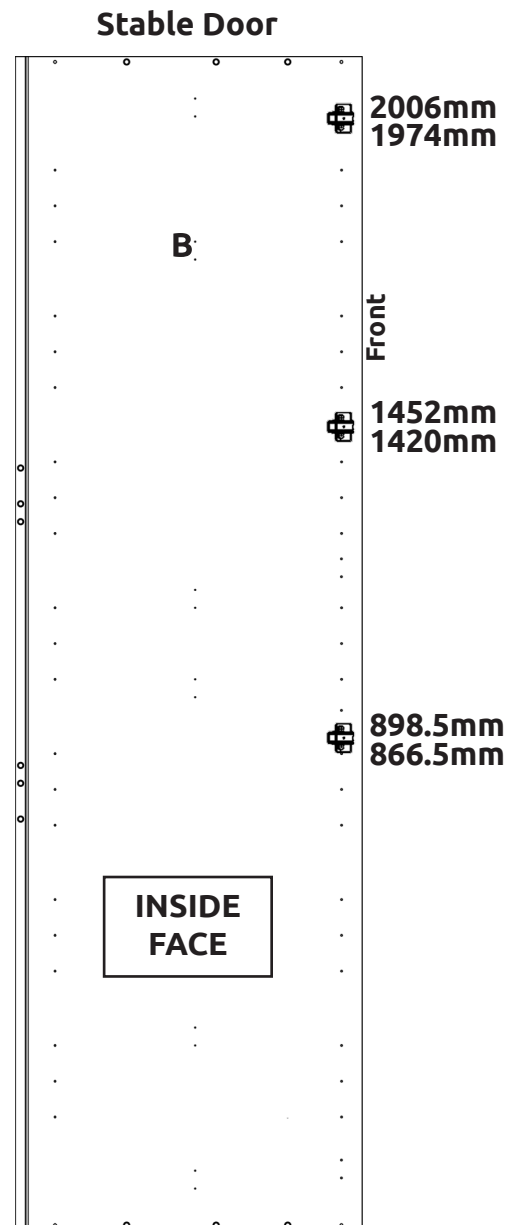
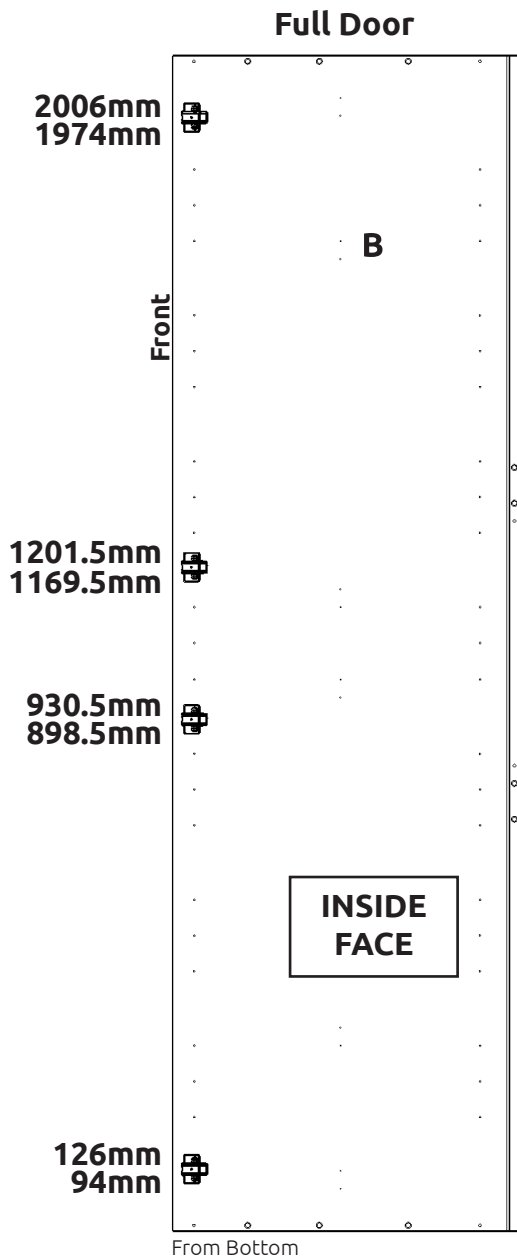


Step 5.
Attach hinge plates onto end panels **(B)** to suit as shown using 2 screws already in hinge plates.

Hinge side to be mounted in accordance to customer specific bedroom plan.

2100
Adjustable / Stable Corner Robe

2100
Stable Corner Robe



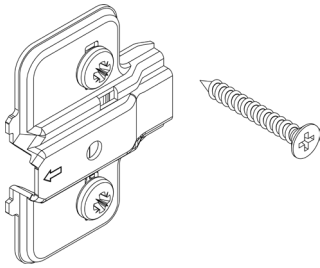


Screws for fixing to walls are not provided as these vary depending on your wall material and construction. Ensure appropriate fixings for wall constructions are used.

Step 6.

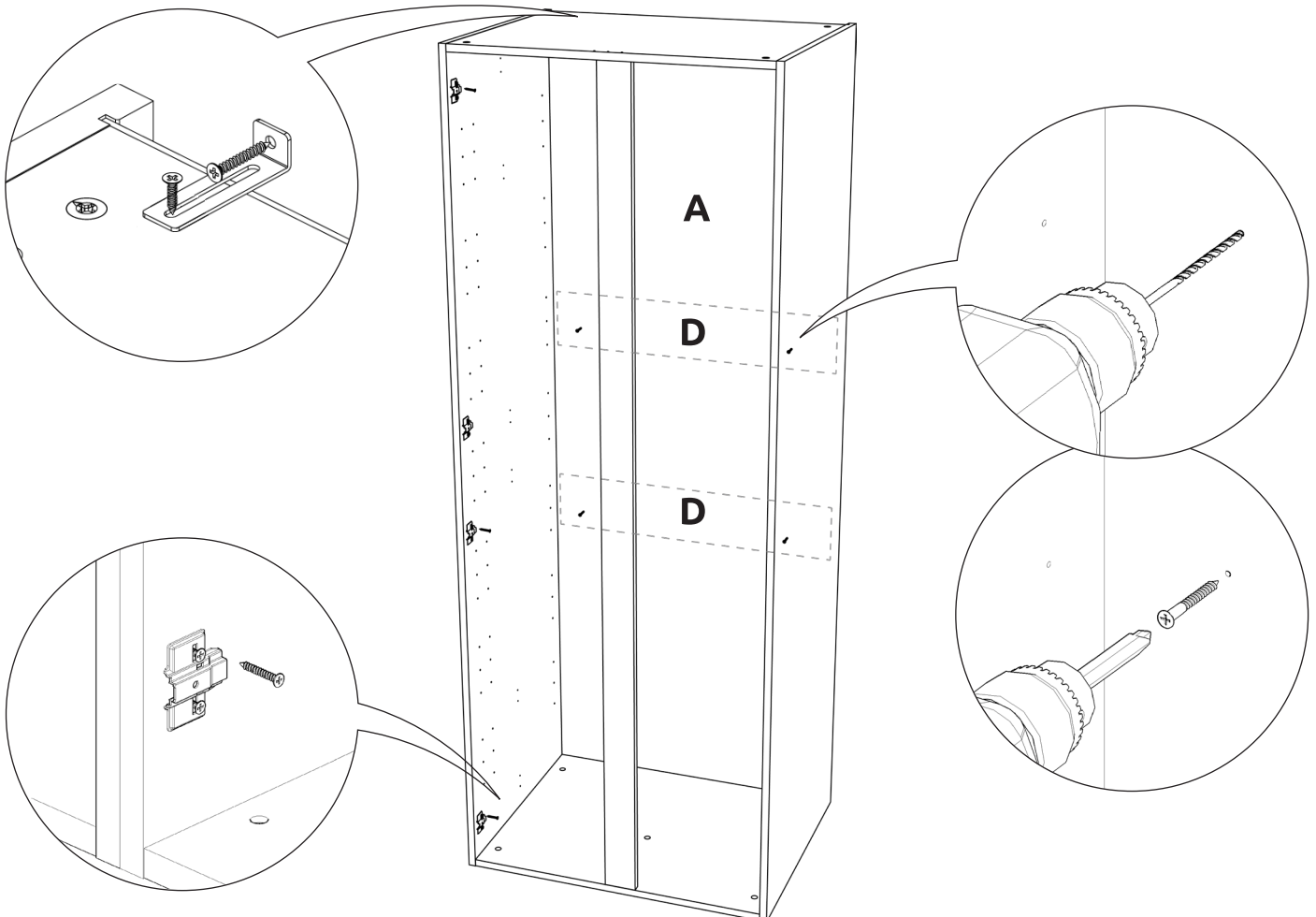
Ensure the unit is level and positioned correctly. **Please refer to customer specific bedroom plan as robe position will vary depending on unit depth and width.**

Wren recommends securing the robe to the wall using rails (D). Drill pilot holes through back panel (A) and rails (D) into the wall. Screw through the pilot holes into the wall, place cover stickers on the heads to conceal them. If unable to use the rails (D) to secure the robe to the wall use the anti tipping brackets provided. Attach the brackets to the top of the robe using 15mm screws (L) provided. Screw through the brackets into the wall.



Step 7.

Screw into any adjacent units using 30mm screws (K) provided to secure the unit. Screw just to the rear of the hinge plate at the top, middle and bottom on both sides. Place stick on cover caps on the heads to conceal them.



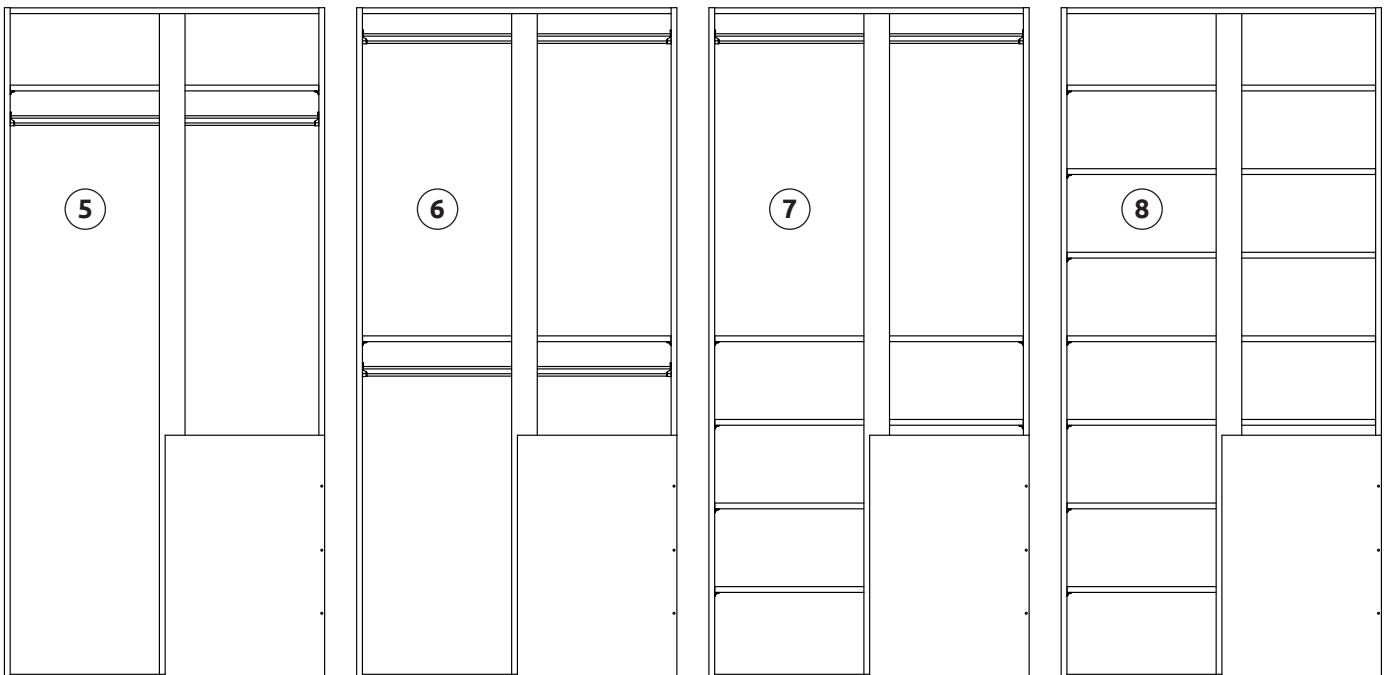
ADJUSTABLE CORNER ROBE INTERNAL LAYOUT OPTIONS

- 1. 1 Shelf and 1 Rail
- 2. 1 Shelf and 2 Rails
- 3. 4 Shelves and 1 Rail
- 4. 7 Shelves

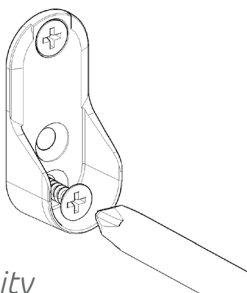
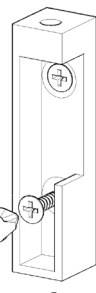


STABLE CORNER ROBE INTERNAL LAYOUT OPTIONS

- 1. 1 Shelf and 1 Rail
- 2. 1 Shelf and 2 Rails
- 3. 4 Shelves and 1 Rail
- 4. 7 Shelves

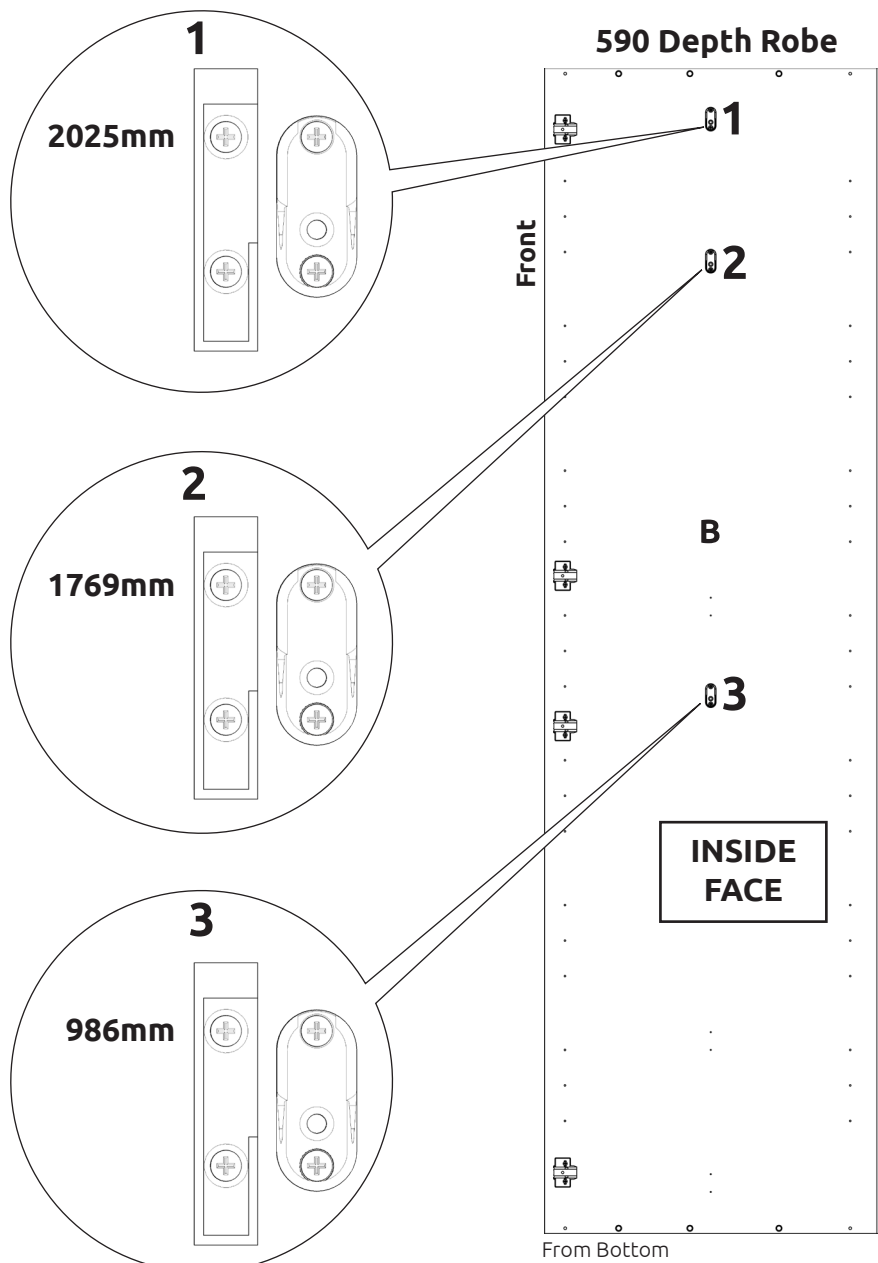


Adjustable / Stable Corner Robe Assembly Guide

 <p><i>Infinity</i></p>	<p>Hanging Rails. Attach hanging rail plates onto end panels (B) as shown using 2 x 15mm screws provided per hanging plate. Using the measurements below screw the hanging rail plate onto the end panel using the top hole. Ensure the hanging plate is straight and screw into the bottom hole.</p> <p>Hanging rail plates to be mounted in accordance with customer specific bedroom plan.</p>	 <p><i>Infinity Plus</i></p>
--	---	---

Hanging Rail options

- 1 x Hanging Rail **(1)**
- 1 x Hanging Rail + 1 x Shelf **(2)**
- 2 x Hanging Rails + 1 Shelf **(1+3)**



Adjustable / Stable Corner Robe Assembly Guide

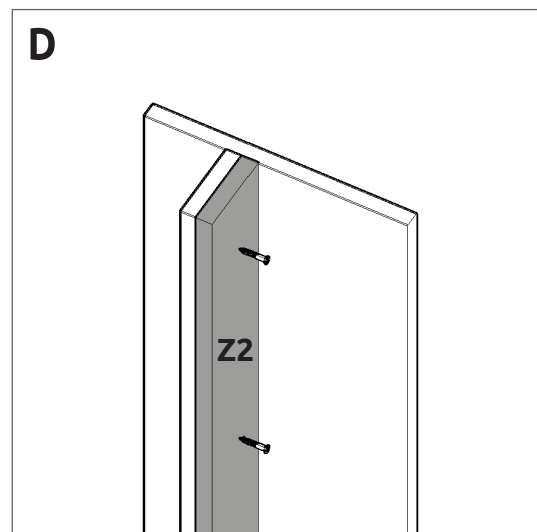
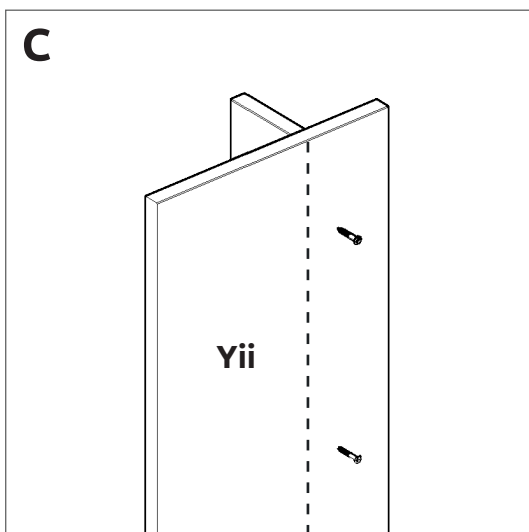
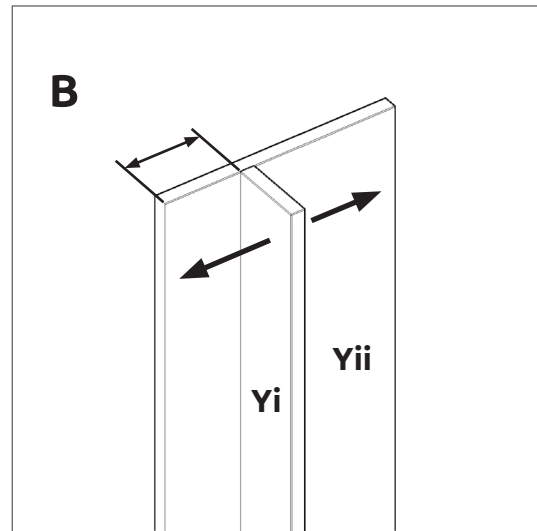
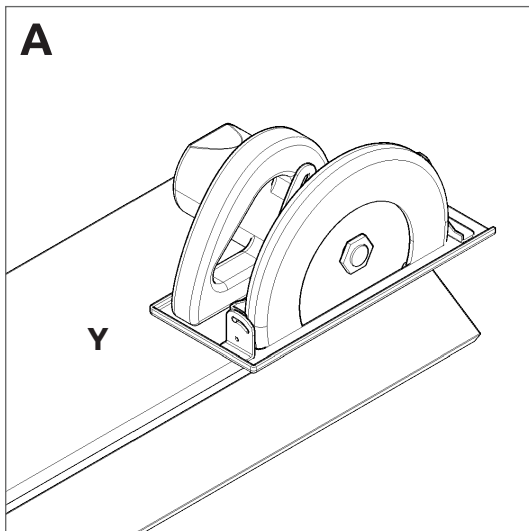
Adjustable Corner Post.

A. Cut panel **(Y)** to size according to **customer specific bedroom plan**.

B. Corner post size can be adjusted by positioning panel **(Yi)** along panel **(Yii)**.

C. To create your corner post attach both panels **(Yi)** and **(Yii)** as shown. Screw through the back of the panel **(Yii)** into panel **(Yi)** using 10 x 30mm screws **(K)** equally spaced.

D. Place the adjustable corner post together with the remaining fixing rail **(Z2)** flush as shown and screw together using 10 x 30mm screws **(K)** equally spaced as shown. Cut fixing rail **(Z2)** to size as required.

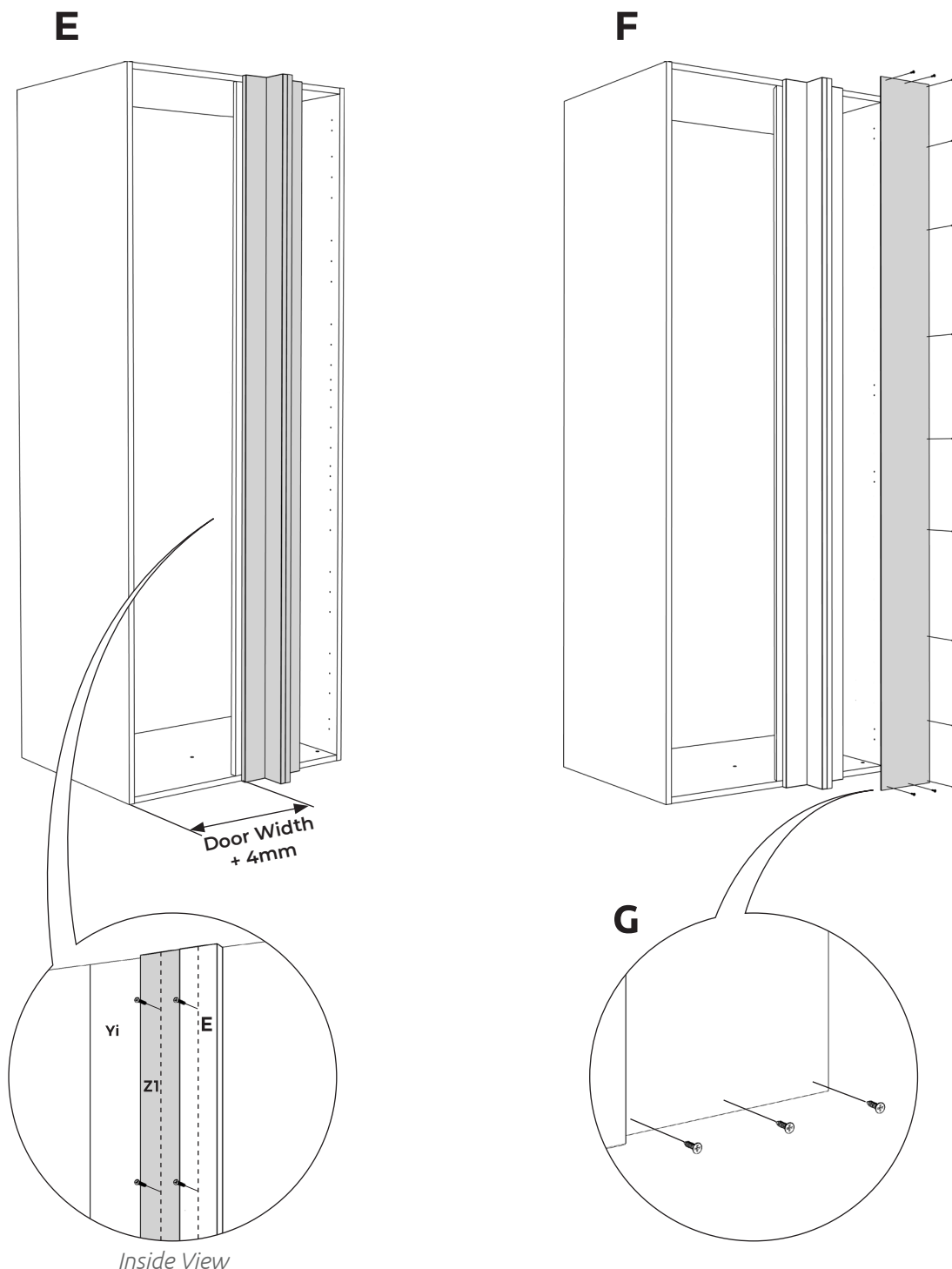


Adjustable / Stable Corner Robe Assembly Guide

E. Place adjustable corner post flush with muntin post (**E**) & fixing rail (**Z1**) as shown, the position of the corner post is the width of the door + **4mm**. From the inside of the unit screw through muntin post (**E**) & fixing rail (**Z1**) into the adjustable corner post securing them together using 10 x 30mm screws (**K**) equally spaced.

F. Measure and cut blanking panel to the required size.

G. Secure blanking panel with 15mm screws (**L**), evenly spaced, as shown. Ensure you screw 9mm from edge of the blanking panel to ensure to screw into the centre of the end panel, top and bottom fixed shelves.



Adjustable / Stable Corner Robe Assembly Guide

Stable Corner Blanking Panel.

A. Measure and cut blanking panel to size. Ensure to leave two sides of the panel with edgebanding on.

B. Position the blanking panel on the front of the robe unit on the bottom left or right hand side.

Refer to customer specific bedroom plan for left or right hand positioning of the blanking panel. Ensure the blanking panel is flush with the side and bottom of the unit. The edgebanding should be face up and in towards the muntin post. **EB = Edgebanding**

C. From **outside** the unit secure the blanking panel to the robe unit using 4x30mm screws (**K**) equally spaced. Pilot hole and screw through the blanking panel into end panel (**B**).

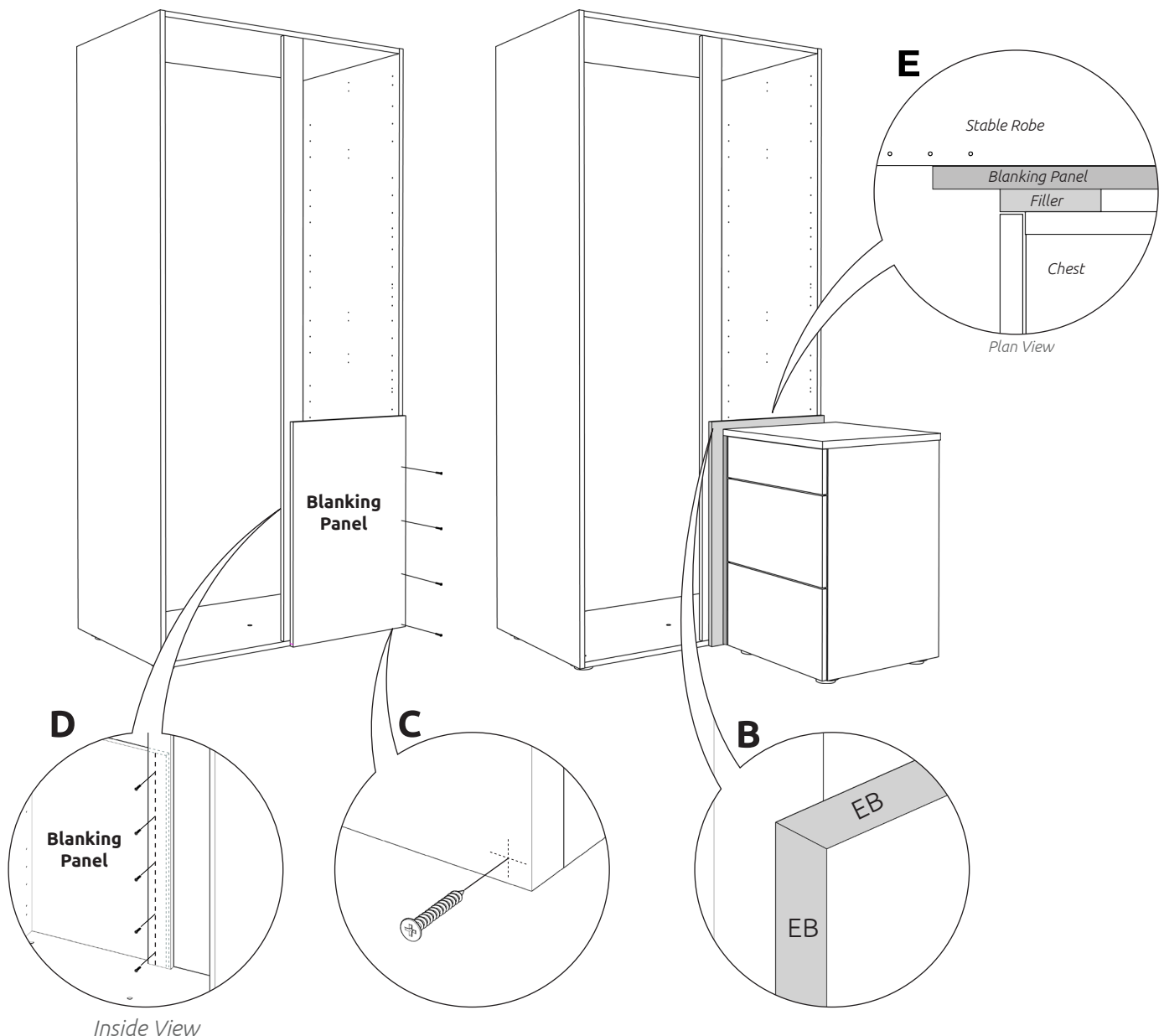
Do not screw into the top **100mm** as this would be visible when the chest unit is in place.

D. From **inside** the unit secure the blanking panel to muntin post (**E**) by screwing through the back of the muntin post into the blanking panel using 5x30mm screws (**K**) equally spaced. Secure from inside to prevent the screws being visible when the chest unit is in place.

E. A filler panel is required between the chest and the stable blanking panel to prevent frontal clashing.

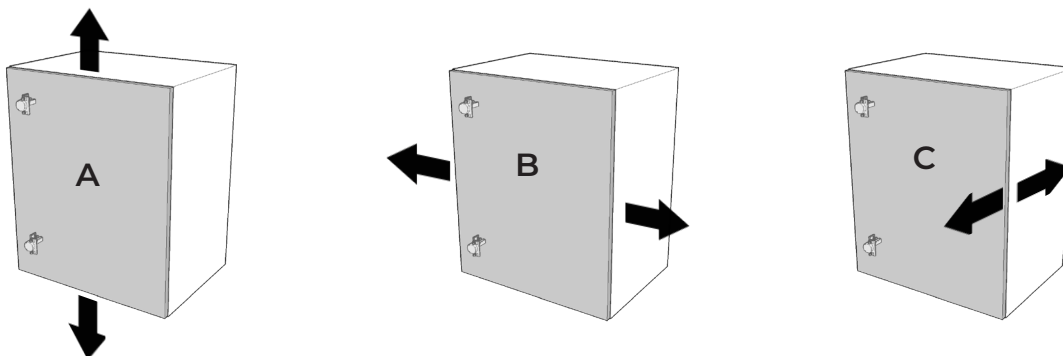
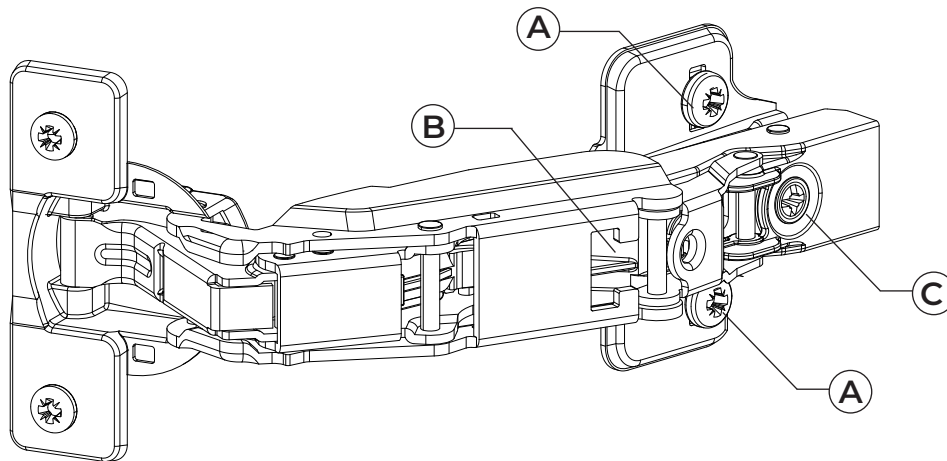
Blanking Panel Size

Unit 1000 Width - H 770.5 x W 498



Adjustable / Stable Corner Robe Assembly Guide

	<p>170° Hinge Attachment and Adjustment Step 1. Insert hinges into frontal hinge holes provided, secure hinges with the 2 x screws and hinge dowels already located in the hinges.</p> <p><i>Hinge dowels</i></p>	
	<p>CLICK</p>	<p>Step 2. Attach the door to unit, clip hinges onto hinge plates and click to secure.</p>
<p>Step 3. Adjust hinges to suit, using the highlighted screw(s) shown.</p>		



Adjustable / Stable Corner Robe Assembly Guide

Loose Shelves

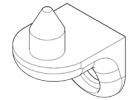
Secure shelf peg (JJ) to end panels (B) using 1 x 13mm screw (KK) per shelf peg.

4 x shelf pegs (JJ) are required per loose shelf.

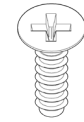
Position loose shelf onto shelf pegs (JJ) ensuring the spikes on the shelf pegs go into the holes on the bottom of the loose shelf.

See customer specific bedroom plan for number of loose shelves.

Secure a fixing block to the muntin post and the underside of each loose shelf using 4 x 15mm screws (L) per fixing block.



Shelf Peg



13mm Screw

