


In-Wall Touch Screen Wall Box - New Construction Installation Guide

Introduction

This wall box kit provides a wall box (back box) to accommodate the installation of in-wall touch screens. The kit is intended for new construction where drywall is not yet in place. Along with the wall box, the kit contains a stud plate for attachment to a wall stud before drywall installation.

 **Note:** If the drywall is in place, use one of the kits intended for retrofit (C4-RWB57C-P or C4-RWB57C-M).

For more information, visit the product pages at ctrl4.co/boxnewp and ctrl4.co/boxnewm.

Supported touch screen models

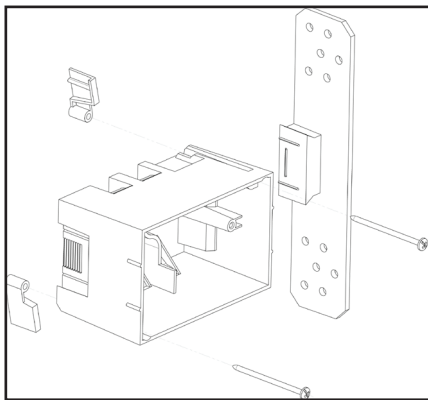
- C4-WALL7 T3-7 7" In-Wall Touch Screen
- C4-WALL10 T3-10 10" In-Wall Touch Screen

Also supports these legacy touch screens:

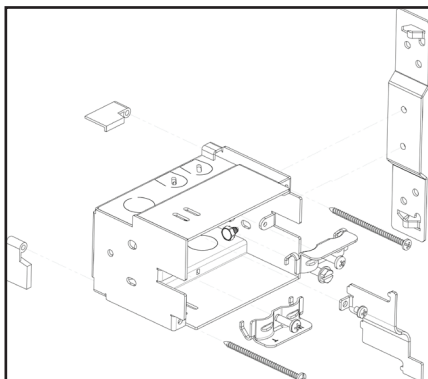
- C4-TSWMC5-EG 5" In-Wall Touch Screen
- C4-TSWMC7-EG 7" In-Wall Touch Screen
- C4-TW7C0 7" In-Wall Touch Screen with Camera
- For more installation instructions specific to legacy touch screens, see earlier versions of this guide.

Wall box models

- C4-NWB57C-P (plastic model)



- C4-NWB57C-M (metal model)



Box contents

The following items are included in the kit:

- In-Wall Touch Screen Wall Box - New Construction
- Ferrite clamps: two rectangular, one round (not used with some touch screens)

Requirements

Tools to cut the drywall and install the wall box, such as:

- Tape measure
- Pencil
- Hammer or screwdriver
- A 5/16" nut driver or socket wrench, if using the metal wall box
- Nails or screws (4 to 6)



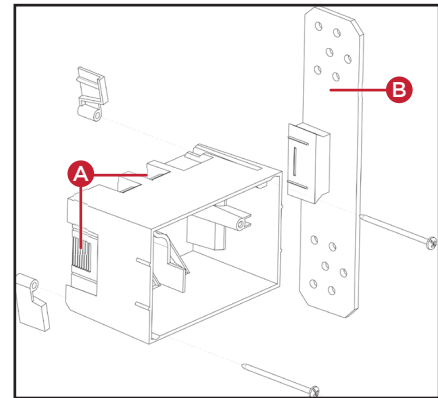
Warning! Before you install the wall box, ensure that you've turned off the power to the wires that will be attached to the box.

Attention ! Avant d'installer le boîtier arrière, assurez vous d'avoir désactivé le pouvoir sur les fils qui seront attachées à la boîte.

Specifications

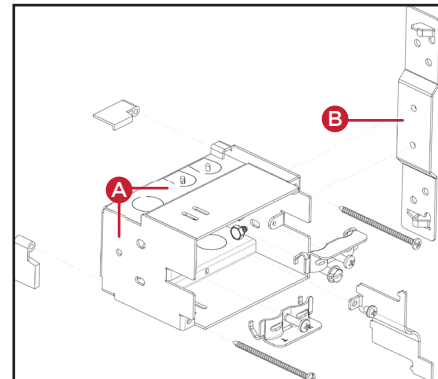
Plastic wall box model:

- A** Dovetail socket (on both sides to reverse position)
- B** Stud plate



Metal wall box model:

- A** Mounting location (on both sides to reverse position)
- B** Stud plate



Installing the wall box

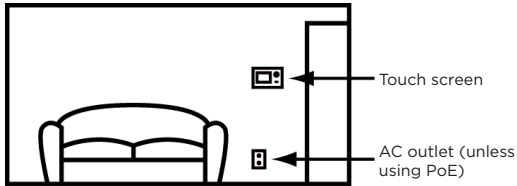


Notes:

- (1) This kit is intended for installation of a wall box before drywall installation. If the drywall is already in place, use the retrofit installation kit (C4-RWB57C-P or C4-RWB57C-M).
- (2) Wall box dimensions: (H x W x D): 2.7" x 4.1" x 3.19" (68 mm x 104 mm x 81 mm).

To install this wall box:

- 1 Find an appropriate wall box location for the touch screen you are installing:
 - The wall box should be in a convenient location, for example, near the entrance of a room.
 - The wall box should be at eye level, about about 1.5 meters (57 to 61 inches) from the floor.



- When using Ethernet or PoE, the wall box should be near a location where an Ethernet CAT5/6 cable is pulled.
 - When using AC power, position the wall box above or near an AC power source, such as an AC outlet.
- 2 Hold the wall box and stud plate against the nearest stud, then mark the correct position according to your choices in Step 1. Follow these guidelines.
 - a Place the wall box so that, when mounted, it is flush with the surface of the drywall after the drywall is installed. For example, if the drywall is 3/8 of an inch deep, the front rim of the wall box must be 3/8 of an inch above the wall stud (toward you).



Important: Make sure the wall box is flush with the wall after the drywall is installed. Allow 3/8 of an inch before the drywall is installed (depending on the thickness of the drywall), and err toward 5/16's of an inch for the best fit.

- b Install the wall box according to the arrows inside the box that indicate the correct side up.



Important: For safety reasons, install the wall box with the correct side up.

- c Install the wall box with the stud plate on either the right or the left side, depending on which wall stud you choose. You may detach the stud plate from the wall box on one side and reattach it on the opposite side, if needed.

- 3 Detach the stud plate from the wall box.

- Plastic box: Slide the wall plate toward the back of the wall box.
- Metal box: Unscrew the wall box from the stud plate.

This allows you to attach the stud plate to the wall stud without interference from the wall box.

- 4 Align the stud plate with the marks you made on the stud (Step 2). If you are using a plastic wall box, make sure the dovetail is toward the back of the stud plate (away from you).

- 5 Nail or screw the stud plate to the wall stud.

- 6 Mount the wall box to the stud plate.

- Plastic box: Slide the wall box onto the stud plate dovetail all the way, leaving the wall box protruding the depth of the drywall, or slightly less (Step 2a).
- Metal box: Bolt the wall box back onto the stud plate.



Note: If you are using a metal box, you can continue to adjust its angle and position slightly relative to the drywall.

- 7 Install the drywall as you would normally, making sure to cut the size of the hole accurately.

- 8 After you install the drywall, carefully tighten the screws to pull in the securing tabs so that the wall box is flush with the surface of the wall.



Note: Overtightening the screws may pull the box into the wall.



Important: When you are ready to install the drywall, and you are cutting the opening for the wall box, *do not* cut the opening too large. Be conservative and enlarge the hole as needed, because there isn't as much overhang on the faceplate of the touch screen as you are accustomed to using with standard switch and outlet plates.

Additional resources

The following resources are available for additional support.

- Control4 Knowledgebase and forums
- Control4 Technical Support
- Control4 website: www.control4.com
- Composer documentation in online help or PDF format available on the Dealer Portal under *Support*.

Regulatory and safety information

To review regulatory information for your particular Control4 products, see the information located on the Control4 website at: ctrl4.co/reg.

Warranty

Visit www.control4.com/warranty for details.

More help

For the latest version of this document, open this URL or scan the QR code on a device that can view PDFs.



Control4®

Copyright ©2020, Wirepath Home Systems, LLC. All rights reserved. Control4 and Snap AV and their respective logos are registered trademarks or trademarks of Wirepath Home Systems, LLC, dba "Control4" and/or dba "SnapAV" in the United States and/or other countries. Snap AV and Wirepath are also registered trademarks or trademarks of Wirepath Home Systems, LLC. Other names and brands may be claimed as the property of their respective owners. All specifications subject to change without notice.



200-00165-H
2020-05-06 MS