

HERMITAGE


PARISI
BATHWARE

DESIGN 

pedestal basin



Manufactured by **ARTCERAM**

Just
BATHROOMWARE

1.21.0

January 2011

HERMITAGE

pedestal basin



Soft lines that evoke nineteenth century atmospheres and are the ideal protagonists for classic settings, while at the same time, fit perfectly with soft, contemporary looks.

A complete series enhanced with fine details.

Code: ACH06 (white)
ACH26 (gloss black)

Tap Hole Options

1 or 3 tap holes.

Waste Outlet

32mm overflow plug and waste to be ordered separately (see technical data sheets 2.99.0 for options available)

Overflow

Positioned at the rear of the bowl.

Installation Instructions

It is recommended that the basin be installed using a flexible sealant, epoxy type glues must not be used, to do so may void product warranty. This basin is **not glazed** at the rear, therefore, it is recommended that it be installed directly against the wall behind.

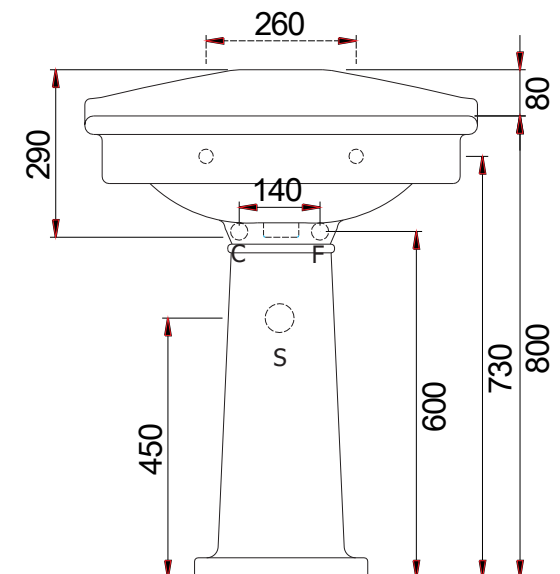
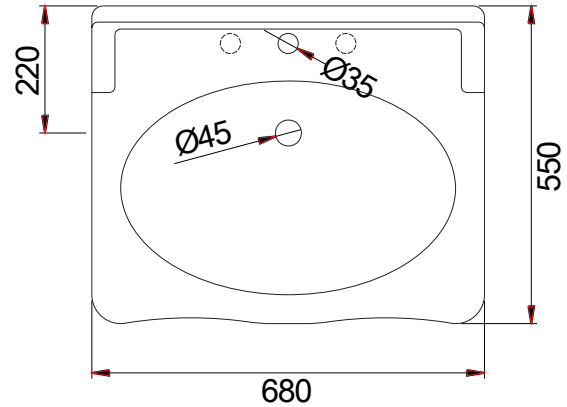
Wall fixing bolts included (code: WFB100).

Colour

White/Gloss Black

Packing Details

Supplied in two cartons.



Manufactured by **ARTCERAM**