

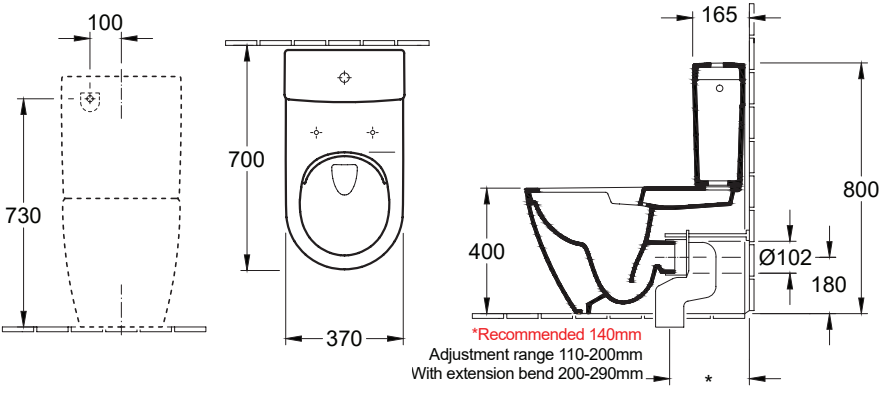


*Just*  
BATHROOMWARE

## SUBWAY 2.0 BACK-TO-WALL TOILET SUITE

Product Image	Technical Specification
  <p>Featuring Villeroy &amp; Boch DirectFlush 'Rimless' Technology</p>	 <p>*Recommended 140mm Adjustment range 110-200mm With extension bend 200-290mm</p>

<b>Water Entry:</b>	Rear water entry requires ½" BSP male thread extending 10mm past the finished wall			
<b>*S-Trap Set-out options</b>	<b>Distance from finished wall to centre of soil pipe</b>	<b>Vario Bend required</b>		<b>Installation Notes</b>
Recommended	140mm	50015P	Supplied standard with S-trap Suites	To be cut to required length on-site
Standard Adjustment Range	110-200mm	50015P	Supplied standard with S-trap Suites	To be cut to required length on-site
With extension bend	200-290mm	8702	Order separately with P-Trap Suite	To be cut to required length on-site - Requires installation into DWV pipe (adaptor supplied) or into a pan collar installed flush with the finished floor
<b>Flushing Options:</b>	4.5/3L toilets can be easily converted to 6/3L on-site where it is approved to do so; one-click conversion instructions are included inside the cistern			

### Description

Subway BTW Toilet Suite with Soft-Closing Seat

<b>5617R001S4CB</b>	P-Trap
<b>5617R0R1S4CB</b>	P-Trap with CeramicPlus
<b>5617R101S4B</b>	S-Trap
<b>5617R1R1S4B</b>	S-Trap with CeramicPlus

**Direct Flush**

Villeroy & Boch

**Ceramic Plus**

Villeroy & Boch

**Soft Closing**

Villeroy & Boch

### Additional Information

- 5 Year Warranty on ceramics  
\*Conditions Apply
- 10 Year Warranty on toilet seat
- WELS 4.5/3L 4 Star

