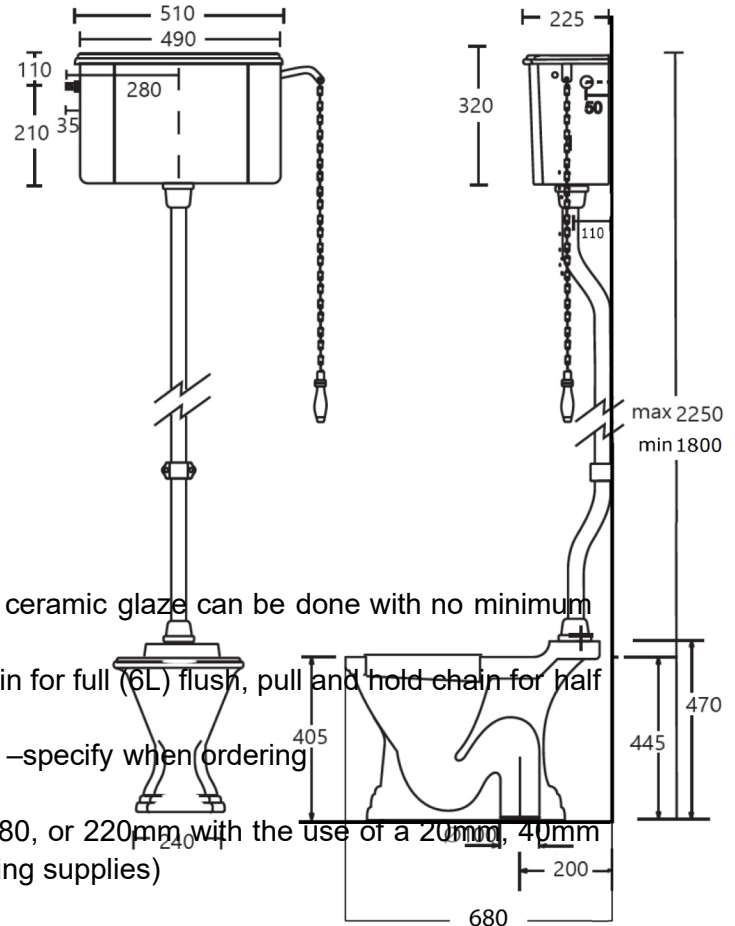




Birmingham Toilet with High Level Cistern

Code: BI202HLT



Specifications

- Made in England
- Finish: Gloss White Ceramic –Any custom colour finish ceramic glaze can be done with no minimum order quantity –16 week lead time –enquire for pricing
- WELS rating: 3 Star - Dual Flush - Pull and release chain for full (6L) flush, pull and hold chain for half (3L) flush
- Seat: White gloss or black gloss toilet seat included free –specify when ordering
- S trap only
- Waste set out 200mm - can be changed to 140, 160, 180, or 220mm with the use of a 20mm, 40mm or 60mm offset pan collar (Purchasable from most plumbing supplies)
- Water supply: Left hand side entry
- Watermark Approved to Australian Standards
- White brackets included free (cupid design) - upgrade to chrome brackets (cross design) or polished gold brackets (cross design) - price listed below

Product Options

BI202HLT: Birmingham Toilet with High Level Cistern (white high gloss or black high gloss toilet seat included)

BI206BR: Upgrade to chrome brackets

BI206BR-GO: Upgrade to gold brackets

BI202HLT-GO: Birmingham Toilet with High Level Cistern Polished Gold Fittings

Warranty

For peace of mind this product is covered with a Lifetime Guarantee.