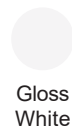


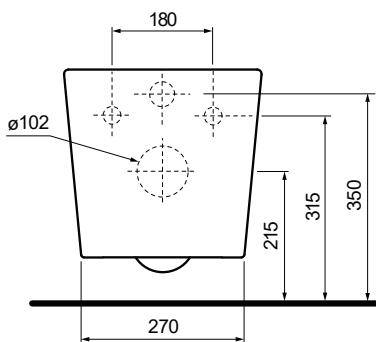
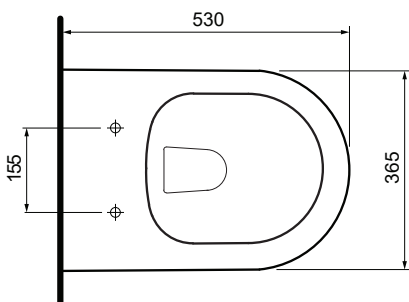
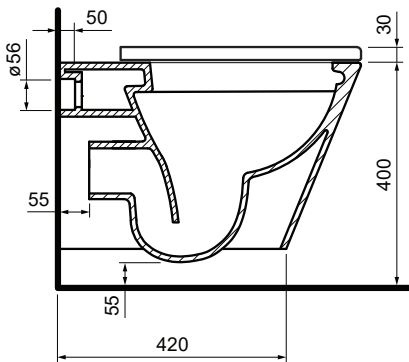
## Linfa Wall Hung Pan

Product Code: PN780

The Linfa Wall Hung Pan combines a classically simple design aesthetic with outstanding Rimless performance and comes standard with the PARISIEasy Clean ceramic glaze. A compact, smooth sided wall faced pan complete with an impressive heavy grade, lift off, soft close seat.



*Just*  
BATHROOMWARE



- Colour & Finish** — White Gloss
- Material** — Ceramic
- Dimensions** — 365 x 530 x 345mm
- Rim Type** — PARISIRimless
- Seat Type** — Soft Close, Heavy Grade, Easy Lift-off, UV Resistant, Antibacterial (PN5765)
- Surface Hygiene** — Easyclean Antibacterial protection
- P Trap** — 210mm height FFL
- Water Inlet** — Back Inlet 350mm height FFL
- Cistern Options** — Compatible with framed concealed cisterns (PA120, PA121, PA140, PA141)
- Button Options** — Compatible with push button panels and remote button sets (PA221- PA265)
- WELS** — 4 STAR 4.5/3L 3.1L Average Flush
- Warranty** — 10 years (Conditions Apply)

PARISI



RIMLESS

