

---

# Charles

SOFAS

1997

Antonio Citterio



## Description

---

An icon of contemporary design, the Charles sofa stands out for its light image accentuated by the essential design of the die-cast aluminium feet in the shape of an inverted “L” which, together with the design of the armrest, the single seat cushion and the free back cushions, is the distinctive element of the line. The airy shape and simple profile make it, almost by contrast, extremely rich and innovative from a spatial standpoint: a system that encourages the creation of ever new compositions, from an in-line two- or three-seater sofa, to a sofa with chaise longue, to a corner sofa. Charles reveals a great formal elegance that goes well beyond the current times and fashions. A broad selection of elements satisfies any furnishing need, including the most personal desire for comfort. The cover is available either in fabric or in leather.

## Technical information

---

**Internal frame**

tubular steel and steel profiles

**Internal frame upholstery**

Bayfit® flexible cold shaped polyurethane foam, polyester fibre cover

**Internal frame upholstery (CHP-CH150P)**

shaped polyurethane of different density, polyester fibre cover

**Seat cushion upholstery (home)**

shaped polyurethane of different density, sterilized down, polyester fibre cover

**Seat cushion upholstery (public spaces)**

shaped polyurethane of different density, polyester fibre, polyester fibre cover

**Back cushion (CH48\_C-CH72\_C)**

polyester fibre, box style typology

**Feet**

die-cast aluminium

**Ferrules**

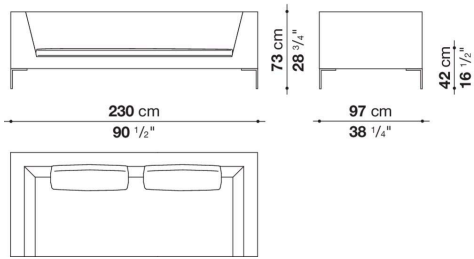
thermoplastic material

**Cover**

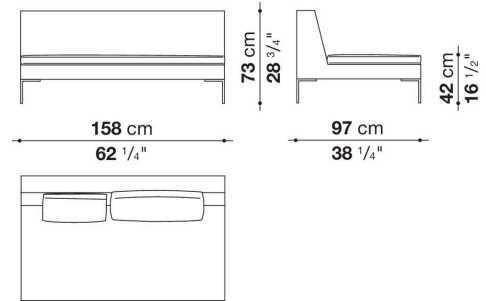
fabric or leather

# Technical drawings

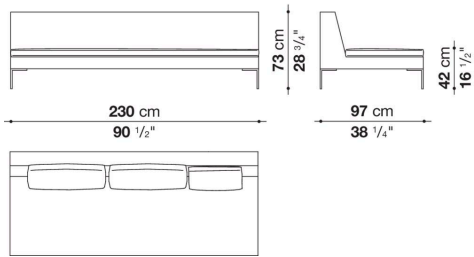
**CH228**



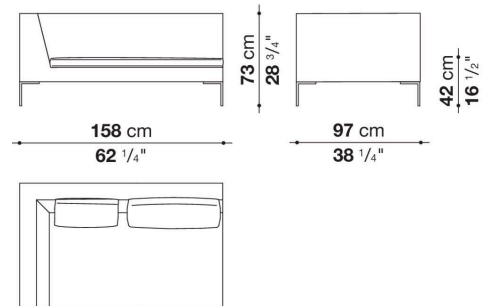
**CH156C**



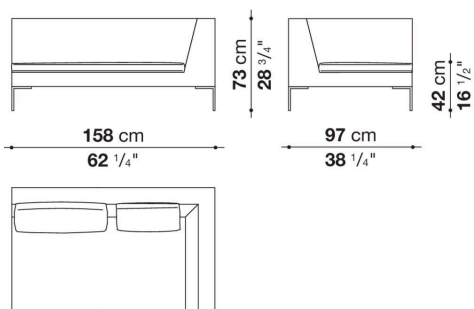
**CH228C**



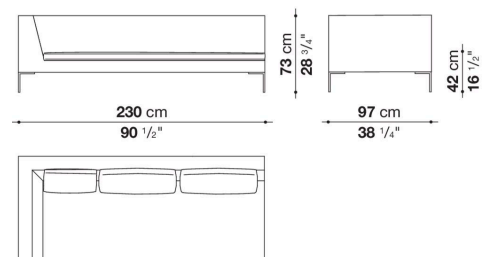
**CH156S**



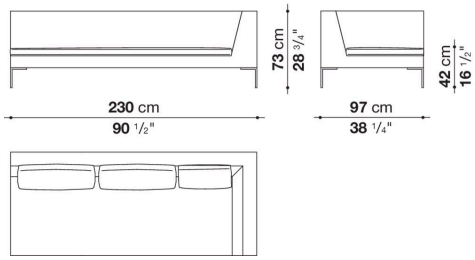
**CH156D**



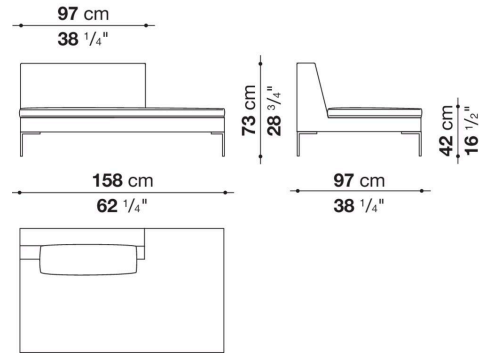
**CH228S**



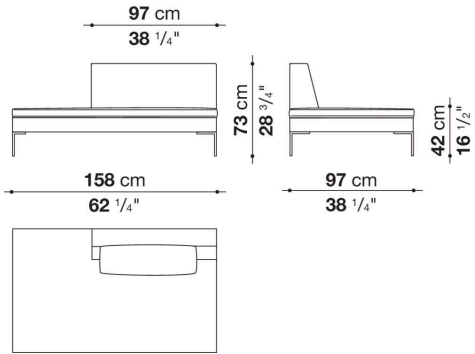
**CH228D**



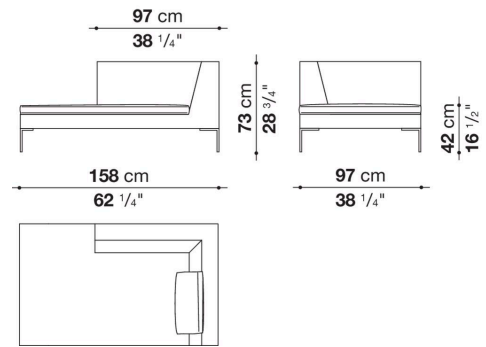
**CH156TPS**



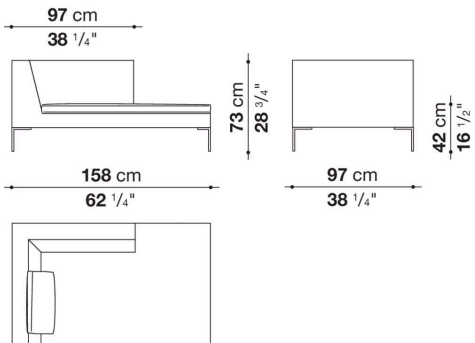
**CH156TPD**



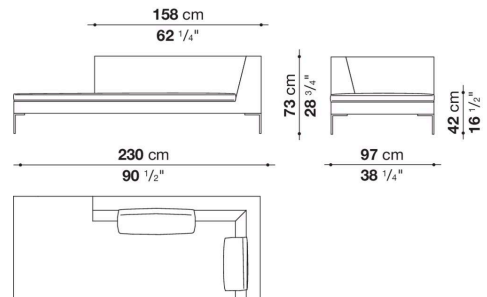
**CH156LS**



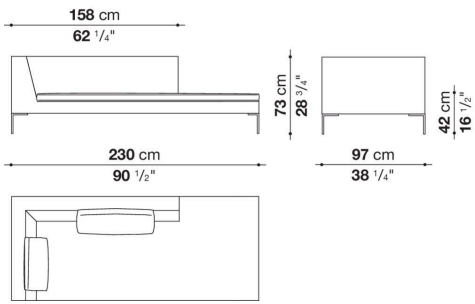
**CH156LD**



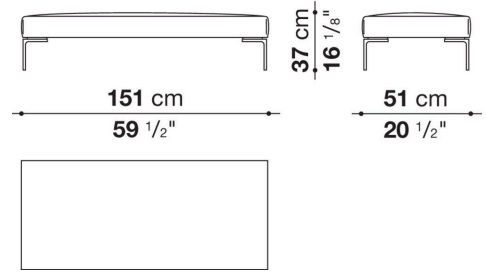
**CH228LS**



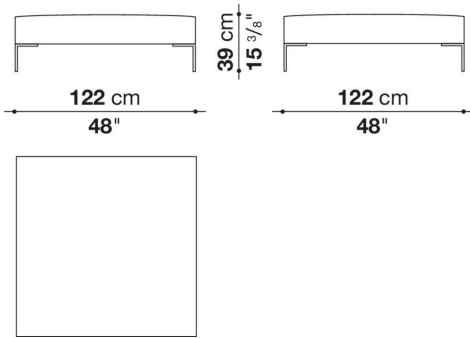
### CH228LD



### CH150P



### CHP



### CH180L

