



HARPER ANTONIO CITTERIO 2021
SECTIONAL SOFAS

HARPER | ANTONIO CITTERIO | 2021

Structure in wood with polyurethane foam padding covered with a protective laminated fabric

Backrest / armrest in metal with molded polyurethane and dacron padding, covered with a protective laminated fabric

Magazine caddy armrest in metal clad in cowhide in the following colors: grey 5003, dark brown 5004, extra dark brown 5013, black 5005, olive 5006, russian red 5008, sand 5001, tobacco 5015, dark brown suede 6004, black suede 6005, olive suede 6003, sand suede 6001. Feet made of glossy transparent methacrylate

Backrest/armrest support in metal clad in cowhide in the following colors: grey 5003, dark brown 5004, extra dark brown 5013, black 5005, olive 5006, russian red 5008, sand 5001, tobacco 5015, dark brown suede 6004, black suede 6005, olive suede 6003, sand suede 6001; or with the following finishes: chrome, satin, burnished, black chrome, glossy anthracite. Standard on upholstered

armrests; optional on all backrests, upon request with upcharge

Seat cushions in polyester fiber with insert in single-density crushproof material **or premium seat cushions** in sterilized goose down (Assopiuma certified, gold label) with insert in high resilience crushproof material

Backrest cushions in sterilized goose down (Assopiuma certified, gold label)

Optional cushions in sterilized goose down (Assopiuma certified, gold label); upon request, with upcharge

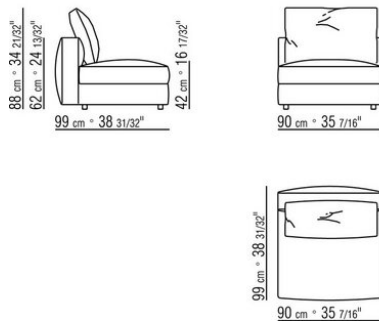
Base in black epoxy powder-coated metal. Rests on tips made of thermoplastic material

Upholstery is removable in both the fabric and leather versions

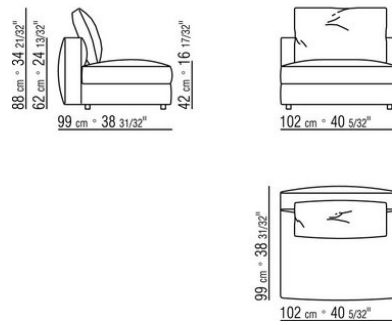
Upholstery piping, fine tailoring includes grosgrain piping that can be crafted in all the colors on the sample board

Attention: arrangement end-pieces must be either an armrest or an ottoman. It is recommended to always send a drawing of the composition when ordering

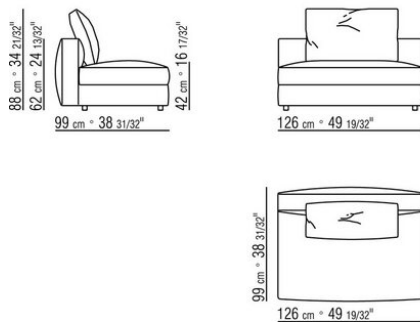
COD. 028802



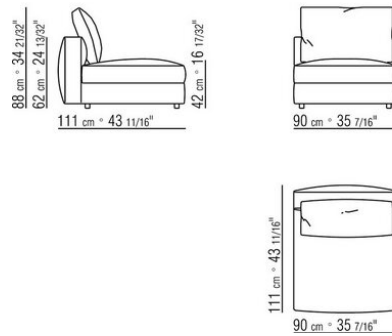
COD. 028803



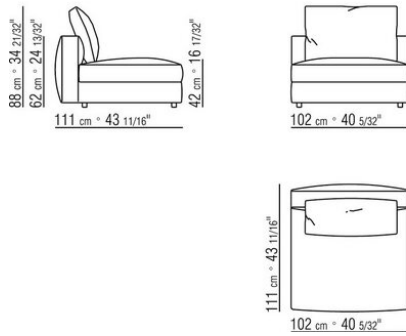
COD. 028804



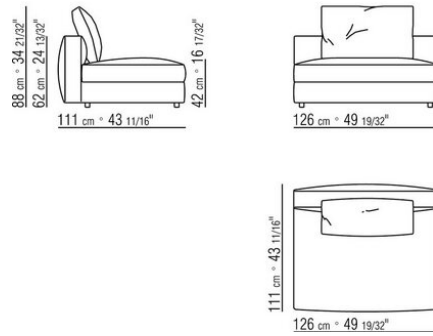
COD. 028805



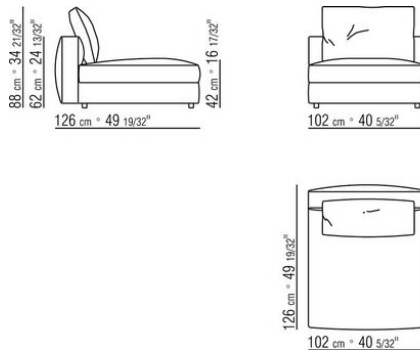
COD. 028806



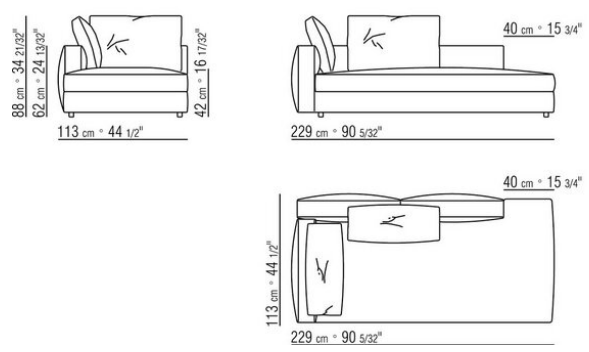
COD. 028807



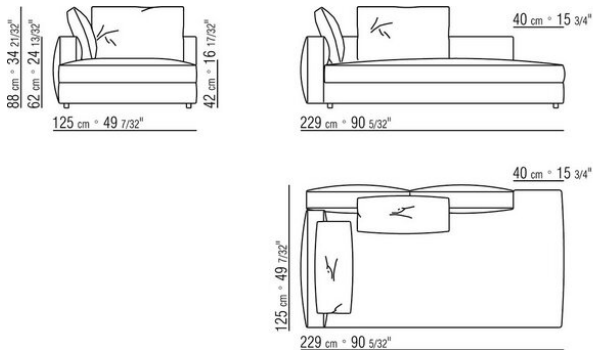
COD. 028808



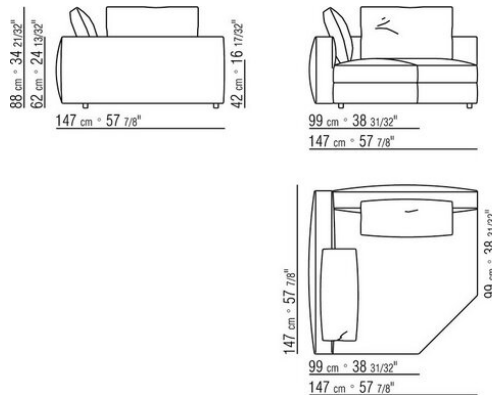
COD. 028823



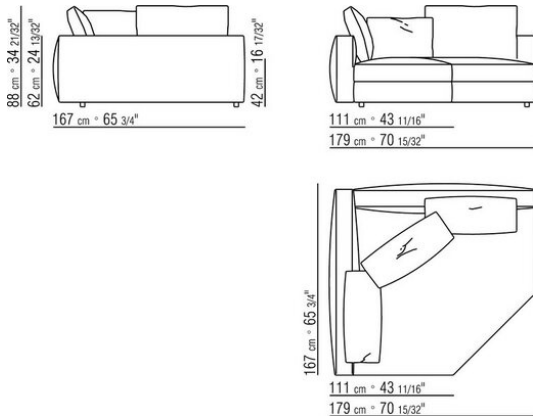
COD. 028827



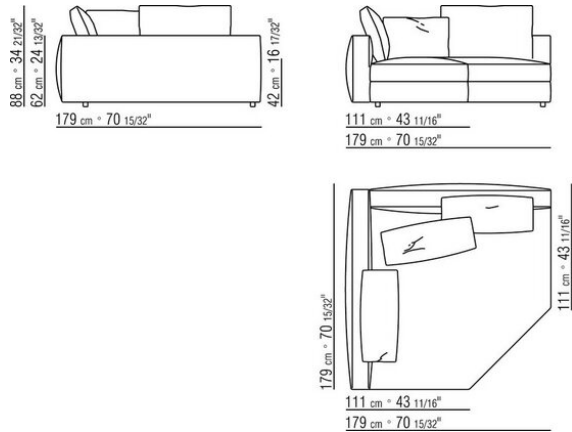
COD. 028831



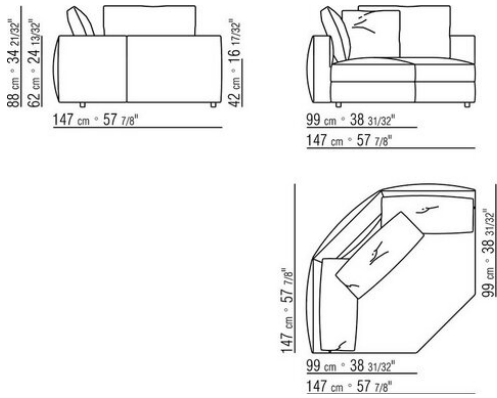
COD. 028837



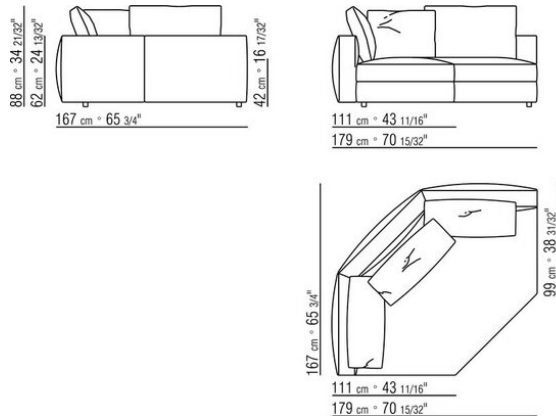
COD. 028838



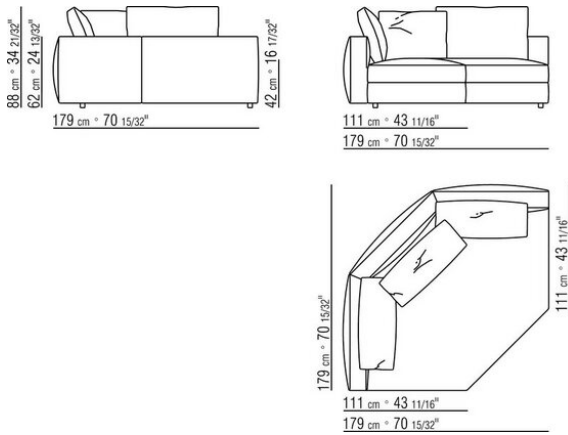
COD. 028841



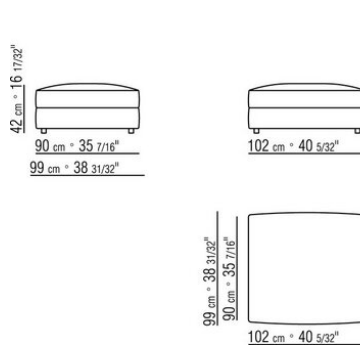
COD. 028847



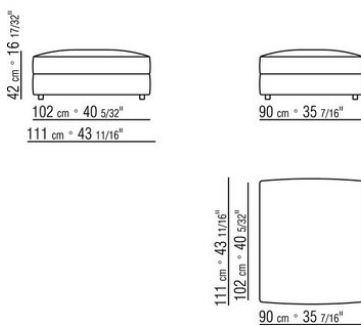
COD. 028848



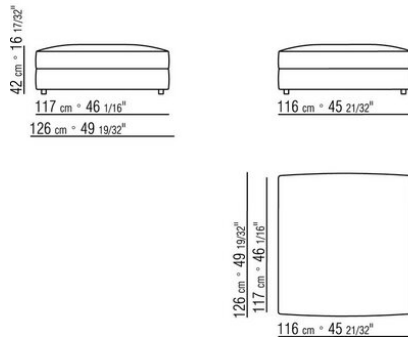
COD. 028850



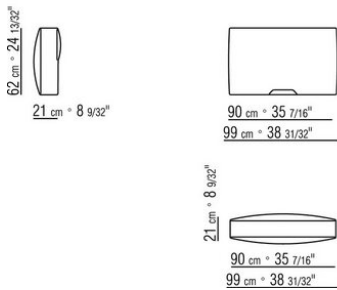
COD. 028851



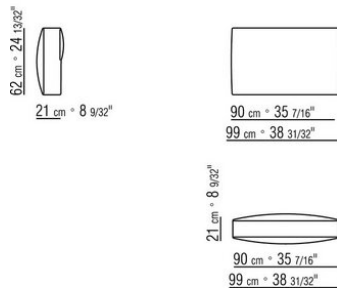
COD. 028852



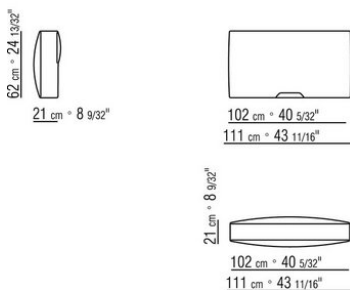
COD. 028870



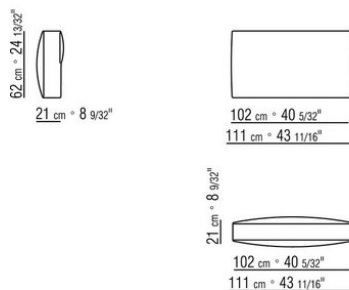
COD. 028871



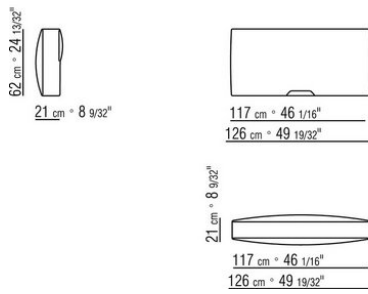
COD. 028872



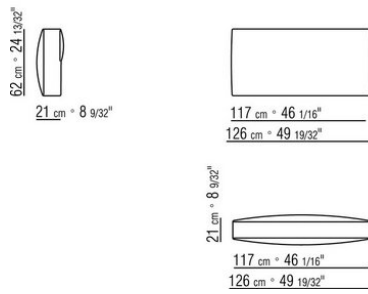
COD. 028873



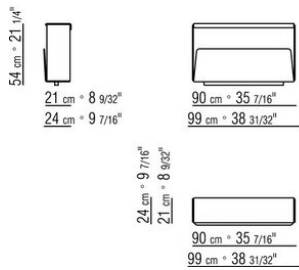
COD. 028874



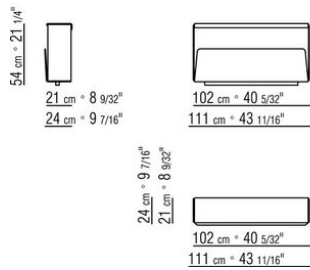
COD. 028875



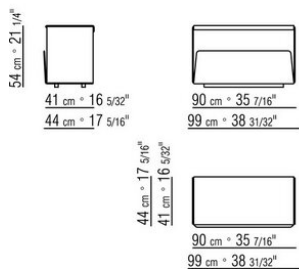
COD. 028876



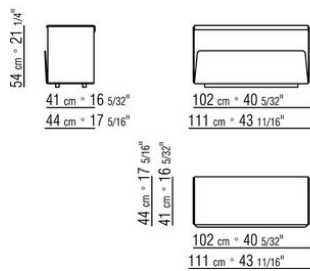
COD. 028877



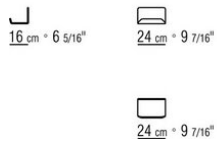
COD. 028878



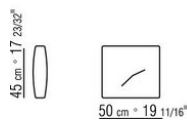
COD. 028879



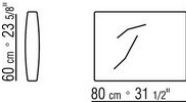
COD. 028895



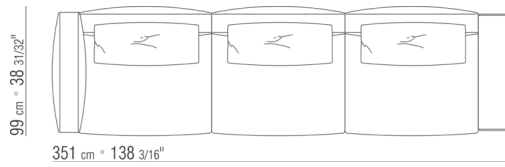
COD. 028898



COD. 028899

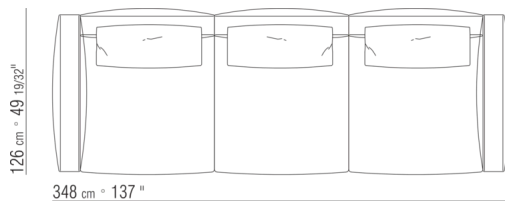


0288XA



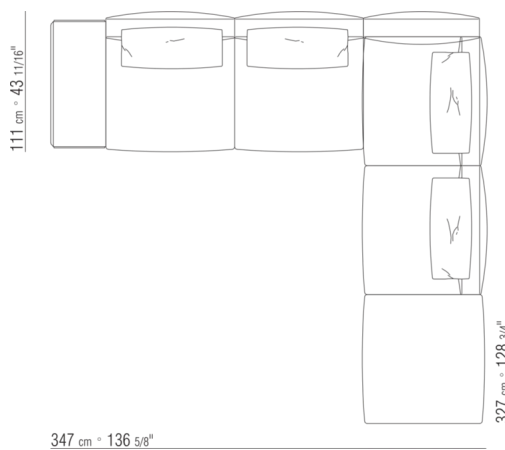
- N.1 COD.028870 - ARMREST CM.99 x21
- N.3 COD.028803 - UNIT CM.102 x99
- N.1 COD.028876 - ARMREST HIDE LEATHER CM.99 x24
- N.3 COD.028895 - BACKREST SUPPORT CM.24 x16

0288XB



- N.2 COD.028874 - ARMREST CM.126 x21
- N.3 COD.028808 - UNIT CM.102 x126
- N.3 COD.028895 - BACKREST SUPPORT CM.24 x16

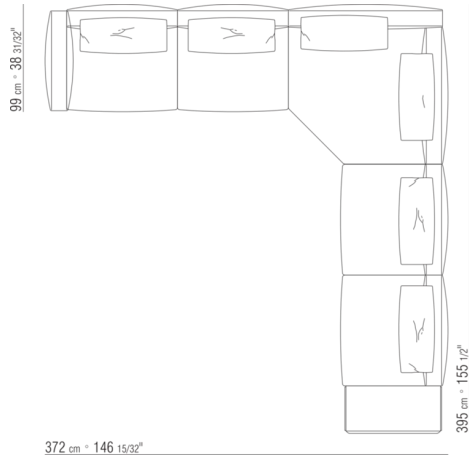
0288XC



- N.1 COD.028879 - ARMREST HIDE LEATHER CM.111 x44
- N.2 COD.028806 - UNIT CM.102 x111
- N.1 COD.028871 - BACK CORNER CM.99 x21
- N.2 COD.028803 - UNIT CM.102 x99
- N.1 COD.028850 - OTTOMAN CM.102 x99
- N.5 COD.028895 - BACKREST SUPPORT CM.24 x16

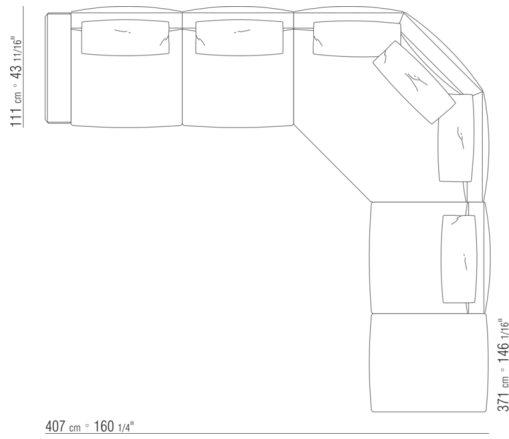
COMPOSITIONS | HARPER

0288XD



- N.1 COD.028870 - ARMREST CM.99 x21
- N.4 COD.028803 - UNIT CM.102 x99
- N.1 COD.028831 - FIVE-SIDED CORNER UNIT CM.147 x147
- N.1 COD.028878 - ARMREST HIDE LEATHER CM.99 x44
- N.6 COD.028895 - BACKREST SUPPORT CM.24 x16

0288XE



- N.1 COD.028877 - ARMREST HIDE LEATHER CM.111 x24
- N.3 COD.028806 - UNIT CM.102 x111
- N.1 COD.028848 - SIX-SIDED CORNER UNIT CM.179 x179
- N.1 COD.028851 - OTTOMAN CM.90 x111
- N.6 COD.028895 - BACKREST SUPPORT CM.24 x16