

OWNERS MANUAL
FORCED AIR PROPANE CONSTRUCTION HEATERS
Models
170-F/SPC-170




QUESTIONS?
MISSING / DAMAGED PARTS

Please do not return this product to the store.
If a part is damaged or missing, simply e-mail us at php@allpro-heaters.com, or visit our website at <http://allpro-heaters.com>, or call our Customer Service Department at (888) 619-7060. We will be happy to assist you!
You can register your heater on line at <http://allpro-heaters.com/warranty>.

TABLE OF CONTENTS

HEATER SPECIFICATIONS..... 2

 WARNINGS 2

OPERATING PRECAUTIONS 3

SAFETY PRECAUTIONS 3

ODOR FADE WARNING 4

OPERATING INSTRUCTIONS 5

SERVICING 5

SIZE AND CAPACITY OF PROPANE CYLINDERS REQUIRED 6

WIRING DIAGRAM 7

EXPLODED VIEW 8

WARRANTY 9

SERVICE CENTERS 9

INSTRUCTIONS FOR ORDERING PARTS. 9

WARRANTY REGISTRATION 11

RETAIN THESE INSTRUCTIONS FOR FUTURE REFERENCE

MODELS 170-F/SPC-170

HEATER SPECIFICATIONS

| | | |
|----------------------------------|--|---|
| Type of Gas: | For use with Propane Only | |
| Gas Supply Pressure to regulator | Maximum: Bottle Pressure | Minimum: 5 psig (34.5 kPa) |
| regulator out | 28" WC (6.97 kPa) | |
| Electrical Input: | 115V, 60 Hz, 1Ø, 3a | |
| Ignition: | Direct Spark, interrupted type | |
| Primary Flame Control: | Solid State, 10-15 Second Timing | |
| High Temperature Control: | 240°F (116°C) | Minimum Ambient Temp. Rating: 0°F (-17.8°C) |
| Model: | 170-F/SPC-170 | |
| Rating: | 125,000 - 170,000 BTU/hr (36.6 - 49.8 kW) | |
| Fuel Consumption: | 5.8 - 7.9 lbs/hr (2.6 - 3.6 kg/hr) | |
| Fuel Orifice Port No.: | 18 | |
| Fuel Orifice Port Size: | 0.80mm | |
| Heated Air Output: | 450 CFM (12.74 cu m/m) | |

WARNINGS

YOUR SAFETY IS IMPORTANT TO YOU AND TO OTHERS, SO PLEASE READ THESE INSTRUCTIONS BEFORE YOU OPERATE THIS HEATER.


GENERAL HAZARD WARNING:

FAILURE TO COMPLY WITH THE PRECAUTIONS AND INSTRUCTIONS PROVIDED WITH THIS HEATER, CAN RESULT IN DEATH, SERIOUS BODILY INJURY AND PROPERTY LOSS OR DAMAGE FROM HAZARDS OF FIRE, EXPLOSION, BURN, ASPHYXIATION, CARBON MONOXIDE POISONING, AND/OR ELECTRICAL SHOCK.

ONLY PERSONS WHO CAN UNDERSTAND AND FOLLOW THE INSTRUCTIONS SHOULD USE OR SERVICE THIS HEATER.

IF YOU NEED ASSISTANCE OR HEATER INFORMATION SUCH AS AN INSTRUCTIONS MANUAL, LABELS, ETC. CONTACT THE MANUFACTURER.

WARNING: NOT FOR HOME OR RECREATIONAL VEHICLE USE

 WARNING: FIRE, BURN, INHALATION, AND EXPLOSION HAZARD. KEEP SOLID COMBUSTIBLES, SUCH AS BUILDING MATERIALS, PAPER OR CARDBOARD, A SAFE DISTANCE AWAY FROM THE HEATER AS RECOMMENDED BY THE INSTRUCTIONS NEVER USE THE HEATER IN SPACES WHICH DO OR MAY CONTAIN VOLATILE OR AIRBORNE COMBUSTIBLES, OR PRODUCTS SUCH AS GASOLINE, SOLVENTS, PAINT THINNER, DUST PARTICLES OR UNKNOWN CHEMICALS.

Scheu Products Company, Incorporated
Mail: P.O. Box 250, Upland, CA 91785
Plant: 8855 Baker Ave., Rancho Cucamonga, CA 91730
Telephone: 800-325-7057
www.scheuco.com
customerservice@scheuco.com



ANSI Z83.7/CGA 2.14-2000

8770
September 2003

MODELS

170-F/SPC-170

OPERATING PRECAUTIONS

This is a propane, direct-fired, forced air heater. It's intended use is primarily temporary heating of buildings under construction, alteration or repair.

Propane is heavier than air. If propane leaks from a connection or fitting, it sinks to the floor, collecting there with the surrounding air, forming a potentially explosive mixture. Obviously, propane leaks should be avoided, so set up the propane supply with utmost care. Read enclosed Odor Fade and Propane Sheet for additional information about detecting propane leaks. Leak check new connections or reconnections with a soap and water solution and follow all connection instructions herein. Also, ask your propane dealer for advice on the propane application and supply installation and ask him to check it if there are any questions.

This heater was designed and certified for use as a construction heater in accordance with ANSI Standard Z83.7/CGA 2.14-2000. Check with your local fire safety authority if you have any questions about your applications. Other standards govern the use of fuel gases and heat producing products in specific applications. Your local authority can advise you about these.

Direct-Fired means that all of the combustion products enter the heated space. Even though this heater operates very close to 100 percent combustion efficiency, it still produces small amounts of carbon monoxide. Carbon monoxide (called CO) is toxic. We can tolerate small amounts but not a lot. CO can build up in a heated space and failure to provide adequate ventilation could result in death. The symptoms of inadequate ventilation are:

- | | |
|--------------------------|-----------|
| headache | dizziness |
| burning eyes and nose | nausea |
| dry mouth or sore throat | |

So, be sure to follow advice about ventilation in these operating instructions.

Forced Air means that a blower or fan pushes the air through the heater. Proper combustion depends upon this air flow; therefore, the heater must not be revised, modified or operated with parts removed or missing. Likewise, safety systems must not be circumvented or modified in order to operate the heater.

When the heater is to be operated in the presence of other people the user is responsible for properly acquainting those present with the safety precautions and instructions, and of the hazards involved.

SAFETY PRECAUTIONS

1. Check the heater thoroughly for damage. DO NOT operate a damaged heater.
2. DO NOT modify the heater or operate a heater which has been modified from its original condition.
3. Use only propane gas.
4. Use only VAPOR WITHDRAWAL propane supply. If there is any question about vapor withdrawal, ask your propane dealer.
5. Mount the propane cylinders vertically (shutoff valve up). Secure them from falling or being knocked over and protect them from damage.
6. Locate propane containers at least (USA) 7 ft. (2.13m), (Canada) 10 ft. (3m) from the heater and **do not** direct exhaust toward containers.
7. **IMPORTANT** Use only the hose and regulator assembly provided with the heater. Match the color stripe on the hangtag attached to the hose assembly with the color on the label located near the propane inlet fitting on the heater. Inspect hose assembly before each use of the heater. If there is excessive abrasion or wear, or hose is cut, replace with hose assembly listed on parts list before using heater.
8. For indoor use only. Area must be well ventilated. **Figure 1.** (also see "Operating Precautions").
9. If at any time gas odor is detected, IMMEDIATELY DISCONTINUE operation until the source of gas has been located and corrected. Read enclosed Odor fade and Propane Sheet for additional information about detecting propane leaks.
10. Install the heater such that it is not directly exposed to water spray, rain and/or dripping water.
11. Maintain minimum clearance from normal combustible material (like paper). **Figure 2.**
12. Due to the high surface and exhaust temperatures, adults and children must observe clearances to avoid burns or clothing ignition.
13. Operate only on a stable, level surface.
14. Do not use with duct work. Do not restrict inlet or exit.
15. Use only the electrical power specified. The electrical connection and grounding must comply with National Electrical Code - ANSI/NFPA 70 (USA) and CSA C22.1 Canadian Electrical Code, Part 1 (Canada).
16. Use only a properly grounded 3-prong receptacle or extension cord.
17. Do not move, handle or service while hot or burning.
18. Use only in accordance with local codes or, in the absence of local codes, with the Standard for the Storage and Handling of Liquefied Petroleum Gases ANSI/NFPA 58 and CSA B149.1, Natural Gas and Propane Installation Code.

Figure 1
VENTILATION: Minimum openings required

| Heater | Opening near floor | Opening near ceiling |
|---|-------------------------|-------------------------|
| Infrared | 1 ft ² | 1 ft ² |
| Convection (25-VC) | 1 ft ² | 1 ft ² |
| Convection (All others) | 2 ft ² | 2 ft ² |
| Radiant | 2 ft ² | 2 ft ² |
| Forced air (30K-125K BTU/HR) | 1 ft ² | 1 ft ² |
| Forced air (150-FAST, SPC-150) | 2 ft ² | 2 ft ² |
| Forced air (170-F, SPC-170, 3500-FACV, SPC-350) | 3 ft ² | 3 ft ² |
| Forced air (7000-FACV) | 4 ft ² | 4 ft ² |

Figure 2
MINIMUM CLEARANCE: From normal combustible material

| Clearance | Infrared | Radiant Convection | Forced Air | Forced Air 7000-FACV |
|--|------------|-----------------------|------------|-------------------------|
| From floor | 0 ft | 0 ft | 0 ft | 0 ft |
| From outlet | 6 ft | 10 ft | | |
| From sides | 3 ft | 4 ft | 2 ft | 3 ft |
| From top | 6 ft | 3 ft | 5 ft | |
| From front | 6 ft | | | |
| From rear | 2 ft | | | |
| Locate 10 ft. from canvas or plastic tarpaulins or similar coverings and secure them to prevent flapping or movement due to wind action. | | | | |

ODOR FADE WARNING



WARNING

Asphyxiation Hazard

- Do not use this heater for heating human living quarters.
- Do not use in unventilated areas.
- The flow of combustion and ventilation air must not be obstructed.
- Proper ventilation air must be provided to support the combustion air requirements of the heater being used.
- Refer to the specification section of the heater's manual, heater dataplate, or contact the *Scheu Products Company* to determine combustion air ventilation requirements of the heater.
- Lack of proper ventilation air will lead to improper combustion.
- Improper combustion can lead to carbon monoxide poisoning leading to serious injury or death. Symptom of carbon monoxide poisoning can include headaches, dizziness and difficulty in breathing.

FUEL GAS ODOR

LP gas and natural gas have man-made odorants added specifically for detection of fuel gas leaks.

If a gas leak occurs you should be able to smell the fuel gas. Since Propane (LP) is heavier than air you should smell for the gas odor low to the floor. ANY GAS ODOR IS YOUR SIGNAL TO GO INTO IMMEDIATE ACTION!

- Do not take any action that could ignite the fuel gas. Do not operate any electrical switches. Do not pull any power supply or extension cords. Do not light matches or any other source of flame. Do not use your telephone.
- Get everyone out of the building and away from the area immediately.
- Close all propane (LP) gas tank or cylinder fuel supply valves, or the main fuel supply valve located at the meter if you use natural gas.
- Propane (LP) gas is heavier than air and may settle in low areas. When you have reason to suspect a propane leak, keep out of all low areas.
- Use your neighbor's phone and call your fuel gas supplier and your fire department. Do not re-enter the building or area.
- Stay out of the building and away from the area until declared safe by the firefighters and your fuel gas supplier.
- **FINALLY**, let the fuel gas service person and the firefighters check for escaped gas. Have them air out the building and area before you return. Properly trained service people must repair any leaks, check for further leakages, and then relight the appliance for you.

ODOR FADING - NO ODOR DETECTED

- Some people cannot smell well. Some people cannot smell the odor of the man-made chemical added to propane (LP) or natural gas. You must determine if you can smell the odorant in these fuel gases.
- Learn to recognize the odor of propane (LP) gas and natural gas. Local propane (LP) gas dealers will be more than happy to give you a scratch and sniff pamphlet. Use it to become familiar with the fuel gas odor.
- Smoking can decrease your ability to smell. Being around an odor for a period of time can affect your sensitivity to that particular odor. Odors present in animal confinement buildings can mask fuel gas odor.
- **The odorant in propane (LP) gas and natural gas is colorless and the intensity of its odor can fade under some circumstances.**
- If there is an underground leak, the movement of gas through the soil can filter the odorant.
- Propane (LP) gas odor may differ in intensity at different levels. Since Propane (LP) gas is heavier than air, there may be more odor at lower levels.
- **Always be sensitive to the slightest gas odor.** If you continue to detect any gas odor, no matter how small, treat it as a serious leak. Immediately go into action as discussed previously.

ATTENTION - CRITICAL POINTS TO REMEMBER!

- Propane (LP) gas has a distinctive odor. Learn to recognize these odors. (Reference Fuel Gas Odor and Odor Fading sections above.)
- Even If you are not properly trained in the service and repair of the heater, **ALWAYS** be consciously aware of the odors of propane (LP) gas and natural gas.
- If you have not been properly trained in repair and service of propane (LP) gas then do not attempt to light heater, perform service or repairs, or make any adjustments to the heater on the propane (LP) gas fuel system.
- A periodic sniff test around the heater or at the heater's joints; i.e. hose, connections, etc., is a good safety practice under any conditions. If you smell even a small amount of gas, **CONTACT YOUR FUEL GAS SUPPLIER IMMEDIATELY. DO NOT WAIT!**

MODELS 170-F/SPC-170

OPERATING INSTRUCTIONS

PREPARING FOR OPERATION

1. Check the heater for possible shipping damage. If any is found, *immediately* notify the factory.
2. Follow all of the "Precautions".
3. Connect the POL fitting of hose and regulator assembly to the propane cylinder by rotating the POL nut counterclockwise into the propane cylinder's valve outlet and securely tighten with a wrench.
4. Connect the hose to the heater by rotating the hose fitting clockwise.
5. Securely tighten all gas connections.
6. Open the cylinder's gas valve and check all gas connections with a soap and water solution. **DO NOT USE A FLAME.**
7. Connect power cord to well-grounded 115V, 60 Hz, 1Ø source of power.
8. When using an extension cord, make certain that it is a 3-wire (grounded) cord of proper wire size.

START

1. Slowly open the main valve at propane cylinder to prevent excess flow check valve from closing.
2. Set thermostat to full on. Heater will ignite automatically.
3. Adjust ball valve on control panel to desired burn rate.
4. **Set thermostat to desired temperature. Heater will turn off and on automatically as the temperature varies in the heater area.**

STOP

1. Securely close valve on the propane cylinder.
2. Continue to operate heater until all fuel in the hose has burned.
3. Turn the heater thermostat to "off". For extended shut down or in areas where the temperature is below 0°F, unplug the heater.

RESTART AFTER SAFETY SHUTDOWN

1. Securely close valve at propane cylinder. Unplug heater.
2. Wait 5 minutes.
3. Restart following "Start" procedure.

MAINTENANCE AND STORAGE

1. The heater should be inspected before each use, and at least annually by a qualified person.
2. Before each use, check the soft "O" ring seat at the bullnose of the POL fitting. If the "O" ring is cut, scuffed, or otherwise damaged, replace it with part number 6681.
3. Turn off the gas at the LP-gas supply cylinder(s) when the heater is not in use.
4. When the heater is to be stored indoors, the connection between the LP-gas supply cylinder(s) and the heater must be disconnected and the cylinder(s) removed from the heater and stored out of doors and in accordance with Chapter 5 of the standard for Storage and Handling of Liquefied Petroleum Gases ANSI/NFPA 58 and CSA B149.1, Natural Gas and Propane Installation Code.

SERVICING

A hazardous condition may result if a heater is used that has been modified or is not functioning properly. When the heater is working properly:

- * The flame is contained within the heater.
- * The flame is essentially blue with perhaps some yellow tipping.
- * There is no strong disagreeable odor, eye burning or other physical discomfort.
- * There is no smoke or soot internal or external to the heater.
- * There are no unplanned or unexplained shut downs of the heater.

The parts lists and wiring diagram show the heater as it was constructed. Do not use a heater which is different from that shown. In this regard, use only the hose, regulator and cylinder connection fitting (called a POL fitting) supplied with the heater. **IMPORTANT** Match the color stripe on the hangtag attached to the hose assembly with the color on the label located near the propane inlet fitting on the heater. Do not use alternates. For this heater, the regulator must be set as shown in "specifications". If there is any uncertainty about the regulator setting, have it checked.

A heater which is *not* working right must be repaired, but *only* by a trained, experienced service person. To find the service center closest to you, visit our website at www.scheuco.com or call (888) 619-7060.

You may also obtain in-warranty or out-of-warranty service by taking the product to your local service center.

In-warranty products will be repaired with no charge for either parts or labor. Please include a brief statement indicating date, place of purchase, the nature of the problem and proof of purchase.

Out-of-warranty products will be repaired with a charge for parts and labor.

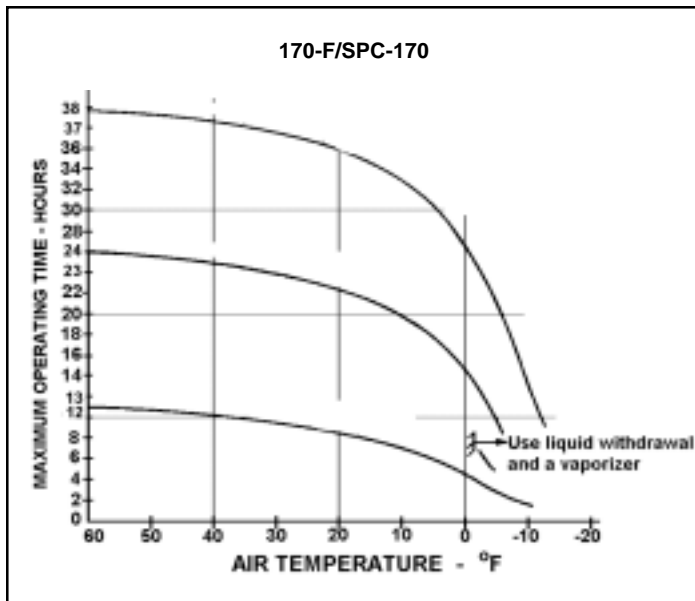
MODELS 170-F/SPC-170

SIZE AND CAPACITY OF PROPANE CYLINDERS

The charts below show the approximate size of the cylinder required for these heaters. To use the chart:

1. Select the lowest air temperature expected (at the bottom of the chart).
2. Move straight up to time of operation desired (left side of the chart).
3. Read the cylinder size required.

All heaters should have: full cylinders
good air circulation
no frost on cylinders



TECHNICAL INFORMATION

HOW MUCH HEAT DO I REQUIRE?

For economy, it is important to match input to that required. But heat requirements often vary. For example, it usually takes a lot more heat to get things warm than it does to keep them that way. Likewise, outside air temperature usually changes during the day so you may need more heat at night than you do in the daytime. An approximation of the heat required can be found by using the chart below.

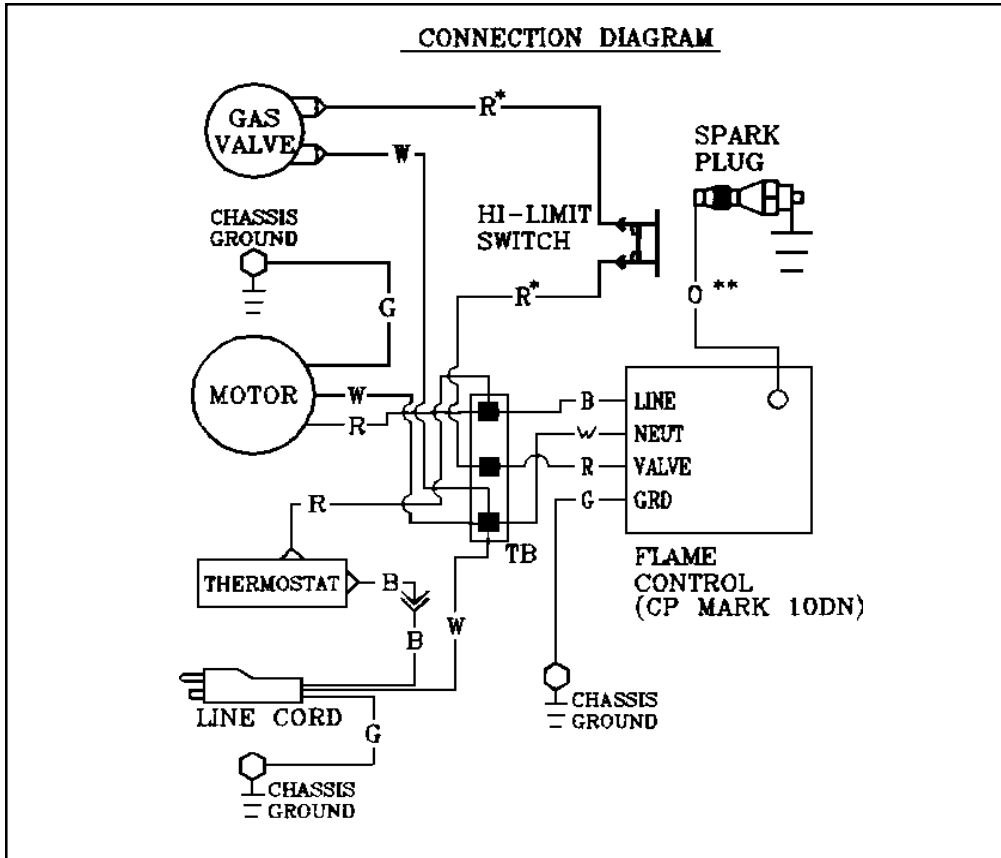
| BTU'S PER HOUR REQUIRED | | | | |
|----------------------------------|---------------------------------|---------|---------|---------|
| Cubic feet of space to be heated | Temperature Rise Required (°F)* | | | |
| | 20° | 30° | 40° | 50° |
| 5,000 | 14,000 | 20,000 | 27,999 | 34,000 |
| 7,000 | 19,000 | 28,000 | 38,000 | 47,000 |
| 10,000 | 27,000 | 40,000 | 54,000 | 67,000 |
| 15,000 | 40,000 | 60,000 | 80,000 | 100,000 |
| 20,000 | 54,000 | 80,000 | 107,000 | 133,000 |
| 30,000 | 80,000 | 120,000 | 160,000 | 200,000 |
| 50,000 | 133,000 | 200,000 | 266,000 | 333,000 |

WARNING: When using a thermostat controlled heater, its exit area should be protected from personnel and warnings posted of sudden startup.

Recommended Minimum Gauge for Cord Extensions

| Wire Gauge Chart A.W.G. | | | | |
|-----------------------------|---------------------|----|-----|-----|
| Name Plate 120V Amps. | Cord Length in Feet | | | |
| | 25 | 50 | 100 | 150 |
| 5-6 | 18 | 16 | 14 | 12 |
| 6-8 | 18 | 16 | 12 | 10 |
| 8-12 | 18 | 14 | 12 | 10 |
| 10-12 | 16 | 14 | 10 | 8 |
| 12-14 | 16 | 12 | 10 | 8 |

WIRING DIAGRAM MODEL 170-F/SPC-170



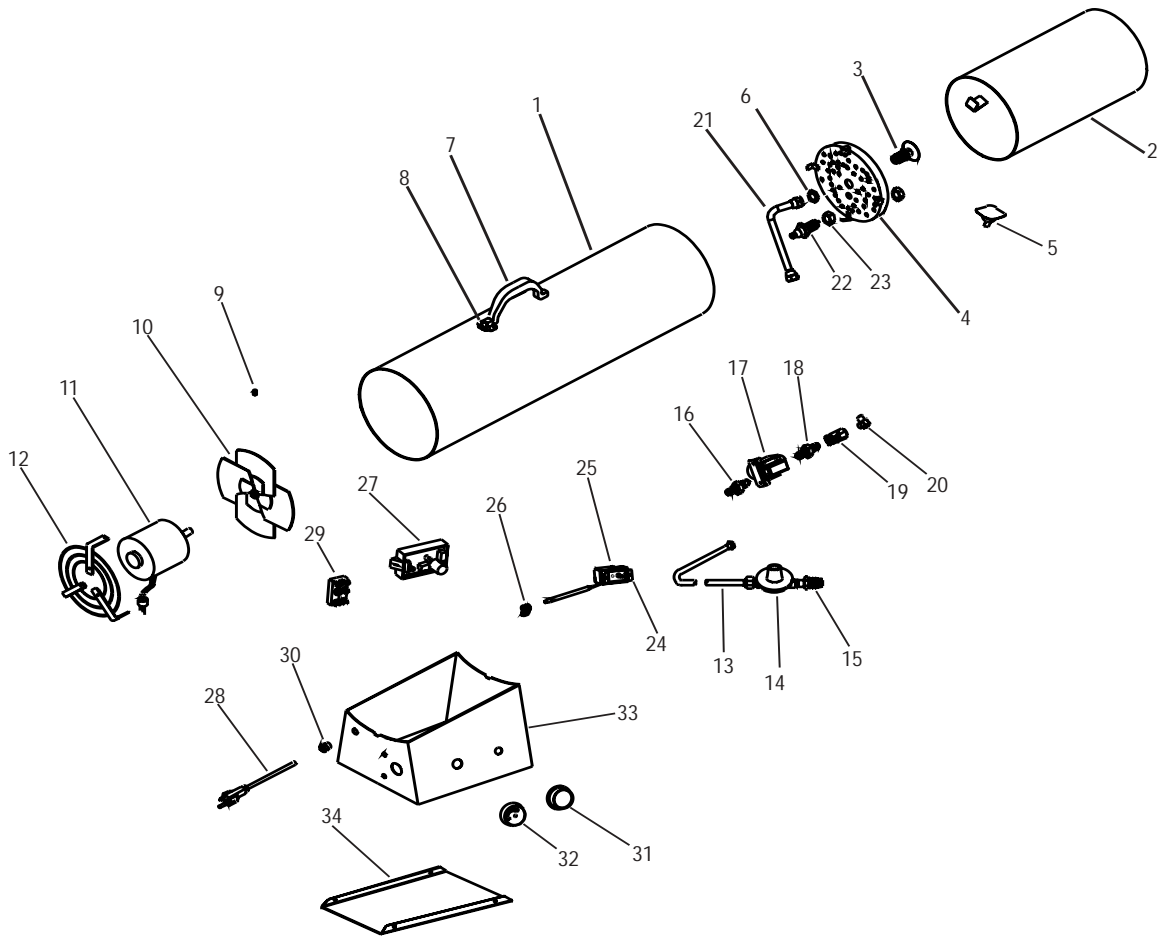
| COLOR CODE | | LEGEND |
|------------|---------|------------------|
| B BLACK | R RED | ■ TERMINAL BOARD |
| L BLUE | W WHITE | ⊗ Y TERMINAL |
| G GREEN | | ← MALE CONN |
| O ORANGE | | > FEMALE CONN |

If any original wiring as supplied by the heater must be replaced, it must be replaced with type AWG 105° C wire or its equivalent except as indicated (*type SF2-200, **SGI 250° C).

WIRING CHART

| PART NO. | COLOR | LENGTH | FROM | TO |
|----------|---------------|---------|--------------------------|----------------|
| 1100 | White | 7" | Valve | Terminal Block |
| 1040 | Black | 6" | On/Off Switch | Terminal Block |
| 1226 | Red (Hi-Temp) | 16 1/2" | High Limit Switch | Valve |
| 1226 | Red (Hi-Temp) | 16 1/2" | High Limit Switch | Terminal Block |
| 1070 | Orange | 11" | Flame Control (Ignition) | Spark Plug |
| 1959 | Green | 7" | Flame Control (Harness) | Ground |
| 1959 | Red | 7" | Flame Control (Harness) | Terminal Block |
| 1959 | White | 6" | Flame Control (Harness) | Terminal Block |
| 1959 | Black | 6" | Flame Control (Harness) | Terminal Block |

170-F/SPC-170 - PARTS



| Item | 170-F | SPC-170 | Description | Qty. | Item | 170-F | SPC-170 | Description | Qty. |
|------|-------|---------|--|------|------|-------|---------|-----------------------------------|------|
| 1 | 2247 | 2248 | Outer Shell | 1 | 25 | 2254 | 2254 | Thermostat Assembly | 1 |
| 2 | 2249 | 2249 | Middle Cylinder | 1 | 26 | 6070 | 6070 | Loop Clamp, 5/16 | 1 |
| 3 | 2250 | 2250 | Orifice Assembly | 1 | 27 | 7808 | 7808 | Flame Control, Potted | 1 |
| 4 | 1146 | 1146 | Flame Holder Assembly | 1 | 28 | 1036 | 1036 | Power Cord Assembly | 1 |
| 5 | 6168 | 6168 | High Limit Switch | 1 | 29 | 8771 | 8771 | Terminal Board | 1 |
| 6 | 3038 | 3038 | Orifice Nut | 1 | 30 | 6223 | 6223 | Bushing Strain Relief | 1 |
| 7 | 7095 | 7095 | Handle | 1 | 31 | 8772 | 8772 | Knob, Thermostat | 1 |
| 8 | 7094 | 7094 | Handle Mounting Clips | 2 | 32 | 8773 | 8773 | Knob, Burn Rate Adjustment | 1 |
| 9 | 6010 | 6010 | Set Screw, Nyloc | 1 | 33 | 2255 | 2255 | Control Box | 1 |
| 10 | 6074 | 6074 | Fan | 1 | 34 | 2256 | 2256 | Base, Control Box | 1 |
| 11 | 2251 | 2251 | Motor Assembly | 1 | * | 8769 | 8769 | Label, Safety Precautions | 1 |
| 12 | 2252 | 2252 | Grille, Inlet/Motor Mounting | 1 | * | 8755 | 8755 | Label, General Hazard Warning | 1 |
| 13 | 6152 | 6152 | Hose Assembly | 1 | * | 8733 | 8733 | Label, Model | 1 |
| 14 | 6257 | 6257 | Regulator, 28" WC | 1 | * | 8731 | 8731 | Label, Operating Instructions | 1 |
| 15 | 6433 | 6433 | POL Excess Flow Valve | 1 | * | 6410A | 6410A | Label, Thermostate Warning | 1 |
| 16 | 6122 | 6122 | Male Fitting Conn. 3/8MPT x 3/8SAE FLR | 1 | * | 7704 | 7704 | Label, Warning Massachusetts | 1 |
| 17 | 6101 | 6101 | Solenoid Valve, Goyen | 1 | * | 6374 | 6374 | Label, Warning Electrical | 1 |
| 18 | 8775 | 8775 | Fitting Close Nipple | 1 | * | 7789 | 7789 | Label, Wiring Schmatic | 1 |
| 19 | 8777 | 8777 | Burn Rate Adjustment Valve | 1 | * | 8203 | 8203 | Label, Hang Tag | 1 |
| 20 | 8776 | 8776 | Fitting, Elbow, 3/8MPT x 1/2 SAE FLR | 1 | * | 8679 | 8679 | Label, BTU 170,000 | 1 |
| 21 | 2253 | 2253 | Fuel Tube Assembly | 1 | * | 8770 | 8770 | Manual, Operating Instructions | 1 |
| 22 | 8774 | 8774 | Spark Plug, Flame Sensor | 1 | * | 6225 | 6225 | Snap Bushing, 5/8 | 2 |
| 23 | 3037 | 3037 | Spark Plug Nut | 1 | | | | | |
| 24 | 4340 | 4340 | Thermostat Mounting Bracket | 1 | | | | | |
| | | | | | | | | * Item not shown on exploded view | |

MODELS

170-F/SPC-170

WARRANTY

We are pleased that you have selected our product and take this opportunity to assure you that qualified service facilities are available if required. With the cooperation of independent dealers, a nationwide network of authorized servicing dealers is available for your servicing requirements.

Should your product require servicing, read the section of the manual entitled "Servicing".

Who gets the warranty? The warranty is limited to the consumer who originally purchases the product.

What is covered? This limited warranty covers all imperfections in workmanship and material.

What is not covered? This limited warranty does not cover damage resulting from accident, misuse or abuse, lack of proper maintenance, affixing of any attachments not provided with the products, or loss of parts. IN NO EVENT SHALL SCHEU PRODUCTS COMPANY BE LIABLE FOR ANY SPECIAL, INCIDENTAL OR CONSEQUENTIAL DAMAGES NOR FOR ANY DAMAGES RESULTING FROM MISUSE OR MODIFICATION OF THIS PRODUCT.

Registering this heater within 10 days of date of purchase ensures the buyer the protection as stated on our limited warranty form.

LIMITED WARRANTY

The company warrants this product to be free from imperfections in material or workmanship, under normal and proper use in accordance with instructions of The Company, for a period of one year from the date of delivery to the buyer. The Company, at its option, will repair or replace (f.o.b. factory, California) products returned by the buyer to the factory, California, transportation prepaid within said one year period and found by the Company to have imperfections in material or workmanship.

If a part is damaged or missing, simply e-mail us at php@scheuco.com, visit our website at scheuco.com, or call our Technical Support Department at (888) 619-7060.

Address any Warranty Claims to the Customer Service Department, Scheu Products Company, Incorporated, P.O. Box 250, Upland, California 91785, or e-mail us at php@scheuco.com. Include your name, address and telephone number and include details concerning the claim. Also, supply us with the purchase date and the name and address of the dealer from whom you purchased our product.

The foregoing is the full extent of the responsibility of the Company. There are no other warranties, express or implied. Specifically there is no warranty of fitness for a particular purpose and there is no warranty of merchantability. In no event shall the Company be liable for delay caused by imperfections, for consequential damages, or for any charges of the expense of any nature incurred without its written consent. The cost of repair or replacement shall be the exclusive remedy for any breach of warranty. There is no warranty against infringement of

the like and no implied warranty arising from course of dealing or usage of trade. This warranty will not apply to any product which has been repaired or altered outside of the California factory in any respect which in our judgment affects its condition or operation.

Some states do not allow the exclusion or limitation of incidental or consequential damages, so the above limitation or exclusion may not apply to you. This Warranty gives you specific legal rights, and you may have other rights which vary from state to state.

SERVICE CENTERS

Scheu Products Company has over 1,000 service centers throughout North America. Call (888) 619-7060 or e-mail php@scheuco.com to request the service center nearest you. Include the Make and model of your heater in any e-mails.

INSTRUCTIONS FOR ORDERING PARTS

We recommend that only parts supplied by the manufacturer be used on this unit. A locally purchased part may appear to be identical, although in reality it might endanger the heater or the persons operating the heater.

The heater should be serviced only by a trained, experienced service person.

Read the section on "Servicing" before ordering parts.

For parts orders, call 888-619-7060 or e-mail us at php@scheuco.com. Please have the model number of your heater and the replacement part number when placing your order.

Hand print only. Use black or blue ink pen to fill in this form. Cross or check inside the circle.

Warranty Registration

Your Information

First Name Last name

Mailing Address

City State Postal code

E-mail Address

Annual house hold income before tax

Age of Purchaser

Fold Here

Your Preferences

Who selected the heater? Heater will be used by? How did you learn about our heater? What prompted you to buy your heater? Where will you use the heater?

In choosing your heater the following categories were:

Features Portability Price Quality Heat Output Warranty Serviceability Fuel economy Ease of use Size

Fold Here

Product Information

Date of Purchase (MM/DD/YY) Cost of Heater (\$) S/N (Located on a silver label on heater) Model Number (Located on a black and white label on heater)

Brand Name

Store Information where heater was purchased

Store Name City State

Type of Store



SCHEU PRODUCTS COMPANY, INC
ATTN: MARKETING DEPARTMENT
8855 BAKER AVENUE
RANCHO CUCAMONGA, CA 91730

Visit our website for product information, technical support, customer service, and warranty registration at:
WWW.ALLPRO-HEATERS.COM for All-Pro products or WWW.UNVERISAL-HEATERS.COM for Universal products.