

Facility information

Clinician name: _____
 Company name: _____
 Purchase order #: _____
 Contact number: _____

Choose i-Limb package

- i-Limb Quantum i-Limb Quantum Titanium
 i-Limb Ultra i-Limb Ultra Titanium
 i-Limb Access i-Limb Access Titanium

Choose a battery

- 1300 mAh magnetic
 2000 mAh magnetic

Choose an i-Limb Cover skin active contour



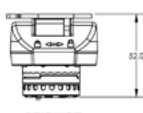
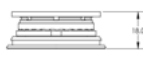
- Black Clear
 Standard Quantity: _____ Standard Quantity: _____
 Touch Screen Quantity: _____ Touch Screen Quantity: _____

*Package includes total of 6 skin coverings free of charge

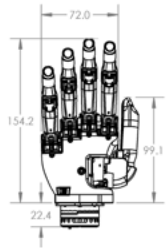
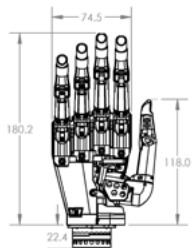
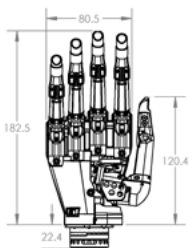
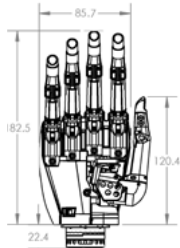
Choose hand side

- Left Right

Choose wrist type

- Quick wrist disconnect Wrist disarticulation Flexion Friction
- 
- 
- 
- 

Choose hand size

- Extra small Small Medium Large
- 
- 
- 
- 

Patient information

Patient name: _____

Package contents

	quantum	ultra	access
Battery and charger	•	•	•
Car charger	•	•	•
Socket component kit*	•	•	•
Two year warranty	•	•	•
iPod Touch	•	•	
Grip Chips™ (1-10)	•		
i-Limb™ skin coverings	6 coverings, choose from: i-Limb skin active/TS, i-Limb skin contour/TS	6 coverings, choose from: i-Limb skin active/TS, i-Limb skin contour/TS	6 coverings, choose from: i-Limb skin active/TS, i-Limb skin contour/TS

*Includes lamination ring, coupling piece and coaxial plug

Choose i-Limb Wrist (sold separately)

- i-Limb Wrist with compact electrodes
 i-Limb Wrist with remote electrodes

Choose an i-Limb skin natural color (sold separately)

- 1 2 3 4 5 6
 7 8 9 10 11 12
 13 14 15 16 17 18

Include matching forearm cover (Note: ensure separate forearm cover order form is completed)

Include set of colour swatches

Choose electrodes (sold separately)

50Hz

Remote

Length (A): 300mm 600mm

Quantity: _____



Compact

Length: 300mm 600mm

Quantity: _____



Additional accessories (sold separately)

Grip Chip starter kit (11-20) (i-Limb Quantum only)

Touch care coverage extension (sold separately)

Year 3

Year 4

Year 5

Comments

i-Limb® devices are approved for use with a variety of terminal devices such as wrists, elbows, or arm systems offered by other upper limb manufacturers. A complete list is noted below:

Powered Wrists

- ProWrist Electric Wrist Rotator (Motion Control, Inc.)
- Electric Wrist Rotator & MyoRotronic (Ottobock)

Elbows

- Motion Control U3+ and U3 Arm System
- Motion Control Hybrid Arm System
- Boston Digital Arm System (Liberating Technologies, Inc.)
- ErgoArm Hybrid Plus (Ottobock)
- Dynamic Elbow (Ottobock)

FOLLOW ÖSSUR ON



WWW.OSSUR.COM.AU

Össur Australia - Prosthetics

TEL +61 2 8838 2800

FAX +61 2 9630 5310

cssydney@ossur.com