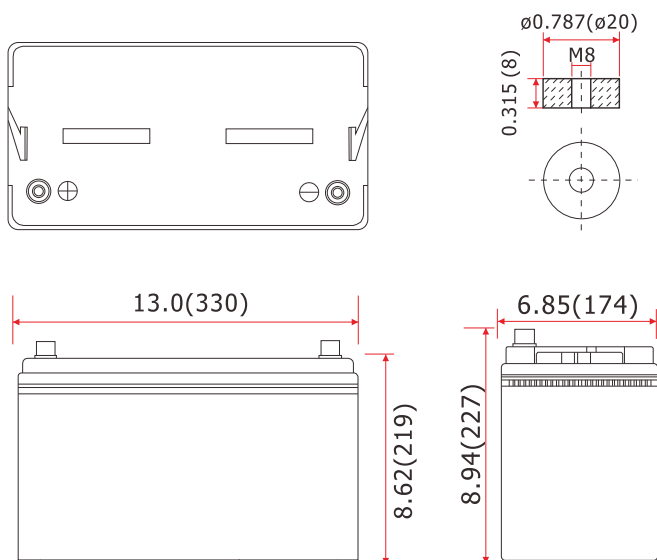
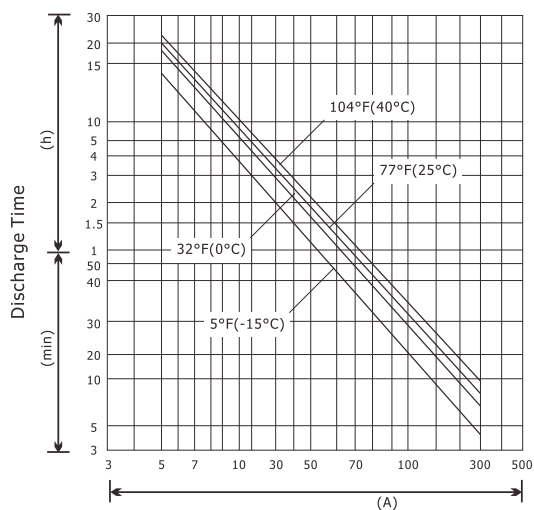


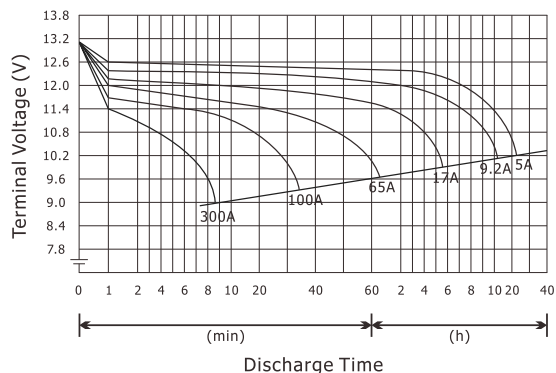
Unit:inch(mm)



Discharge Current and Discharge Duration Time



Discharge Curves 77°F(25°C)



Specification

| | | |
|--|--|----------------------------|
| Nominal Voltage | | 12V |
| Rated Capacity (20hr Rate) | | 100Ah |
| Dimensions | Length | 13.0inches (330mm) |
| | Width | 6.85inches (174mm) |
| | Height | 8.62inches (219mm) |
| Total Height | | 8.94inches (227mm) |
| Weight | | Approx. 66.14lbs (30.01kg) |
| Characteristics | | |
| Capacity 77°F(25°C) | 20hour rate (5.0A) | 100Ah |
| | 10hour rate (9.2A) | 92Ah |
| | 5hour rate (17.0A) | 85Ah |
| | 1hour rate (65.0A) | 65Ah |
| Internal Resistance | Full Charged, 77°F(25°C) | 5mΩ |
| Capacity Affected By Temperature (10hr Rate) | 104°F(40°C) | 102% |
| | 77°F(25°C) | 100% |
| | 32°F(0°C) | 85% |
| | 5°F(-15°C) | 65% |
| Self-Discharge 77°F(25°C) | Capacity after 3 month storage | 90% |
| | Capacity after 6 month storage | 85% |
| | Capacity after 9 month storage | 65% |
| Charge (Constant Voltage) | Initial Charge Current "LESS" than 30A | |
| | Cycle | 14.2–14.5V/77°F(25°C) |
| | Stand By | 13.4–13.7V/77°F(25°C) |
| Designed Floating Life (77°F/25°C) | | 10 Years |

**These data are average values obtained from three Charge/Discharge cycles. Note: These are NOT minimum values.

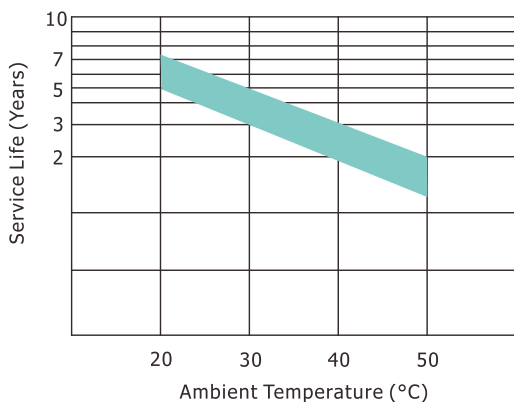
Constant Current Discharge Characteristics Unit: A (25°C / 77°F)

| F.V/Time | 5MIN | 10MIN | 15MIN | 30MIN | 1HR | 2HR | 3HR | 5HR | 8HR | 10HR | 20HR |
|----------|------|-------|-------|-------|------|------|------|------|------|------|------|
| 9.6V | 372 | 256 | 192 | 117 | 69.2 | 39.5 | 28.8 | 18.4 | 12.2 | 10.0 | 5.50 |
| 10.0V | 344 | 241 | 183 | 113 | 68.0 | 38.7 | 28.4 | 18.1 | 12.0 | 9.80 | 5.40 |
| 10.2V | 330 | 234 | 178 | 111 | 67.3 | 38.2 | 28.1 | 18.0 | 11.9 | 9.70 | 5.30 |
| 10.5V | 303 | 220 | 170 | 107 | 65.9 | 37.6 | 27.6 | 17.8 | 11.7 | 9.60 | 5.20 |
| 10.8V | 274 | 204 | 160 | 103 | 64.5 | 36.7 | 27.0 | 17.3 | 11.4 | 9.40 | 5.00 |
| 11.1V | 240 | 183 | 147 | 99 | 63.4 | 36.0 | 26.0 | 17.0 | 11.2 | 9.30 | 4.80 |

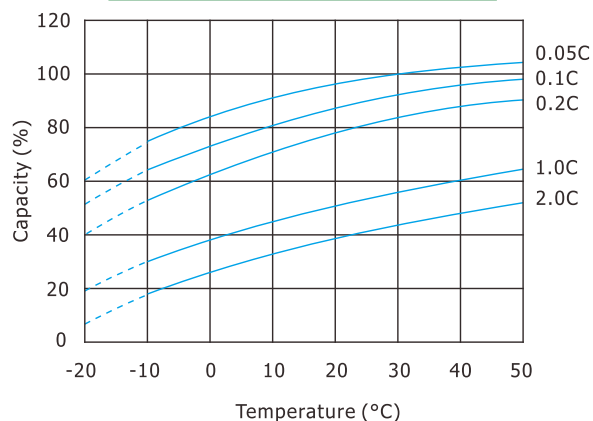
Constant Power Discharge Characteristics Unit: W (25°C / 77°F)

| F.V/Time | 5MIN | 10MIN | 15MIN | 30MIN | 1HR | 2HR | 3HR | 5HR | 8HR | 10HR | 20HR |
|----------|------|-------|-------|-------|-----|-----|-----|-----|-----|------|------|
| 9.6V | 4003 | 2832 | 2218 | 1357 | 792 | 448 | 328 | 214 | 141 | 114 | 60.5 |
| 10.0V | 3685 | 2651 | 2087 | 1318 | 775 | 442 | 320 | 210 | 138 | 112 | 60.0 |
| 10.2V | 3509 | 2570 | 2026 | 1297 | 767 | 437 | 316 | 207 | 137 | 111 | 59.4 |
| 10.5V | 3231 | 2408 | 1918 | 1258 | 752 | 428 | 310 | 203 | 134 | 109 | 58.9 |
| 10.8V | 2915 | 2216 | 1801 | 1206 | 734 | 419 | 302 | 197 | 130 | 106 | 58.1 |
| 11.1V | 2590 | 2011 | 1685 | 1152 | 711 | 408 | 294 | 192 | 127 | 103 | 55.2 |

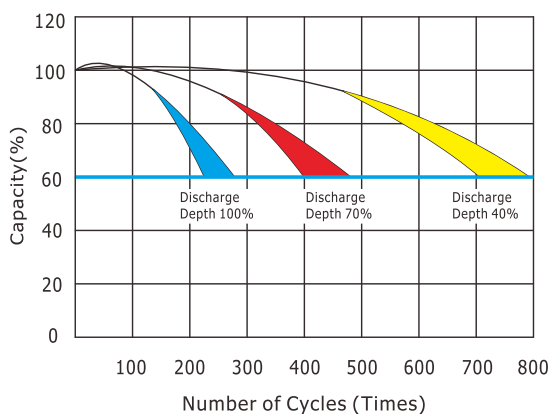
Trickle / Float Service Life



Effect of Temperature on Capacity



Cycle Service Life (@25°C/77°F)



Capacity Retention Characteristic

