

Aprilia

PTAPR5930

59" L x 29½" W x 23⅝" H

1 other size available

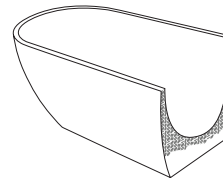
PTAPR6730

66⅞" L x 29⅞" W x 23⅝" H



- Tub Finish White Gloss
- Drain and Overflow Finish White
 Polished Chrome
 Brushed Nickel
 Matte Black

- Material Acrylic
- Slope of Backrest 131°
- Water Depth 16½"
- Capacity 58G
- Weight 79.4lbs
- Shipping Weight 114.6lbs

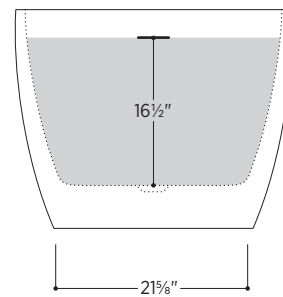
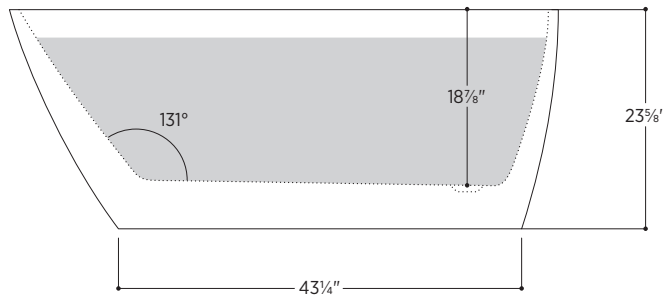
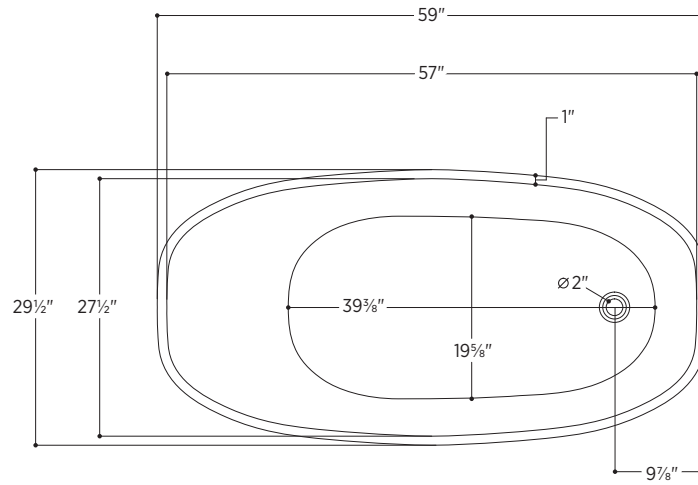


Foam Insulation *optional*

- Foam gives an added layer of solidity to the tub
- It reduces the noise level when filling
- It keeps the water warm longer

Aprilia

PTAPR5930



All measurements are approximate and for comparison only. Please note that these dimensions and specifications are subject to change without notice.

Install this product according to the installation guide. Floor support under bath must provide for a minimum of 995lbs (451kg). Installation may vary. Our products must be installed by certified professionals only and according to our installation guide, as well as federal, provincial/state and local building codes and regulations.

Codes/Standards Applicable:
Meets or exceeds ANSI/ASME standard Z124.1.2
and CAN/CSA B 45 requirements
IAPMO/UPC/cUPC



5 Year Warranty for Residential Use