

# Roma

PTRMA6728

66<sup>7</sup>/<sub>8</sub>" L x 28<sup>3</sup>/<sub>8</sub>" W x 26" H

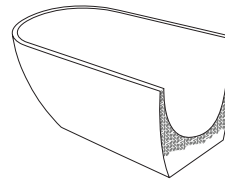
1 other size available

PTRMA6228 62<sup>1</sup>/<sub>4</sub>" L x 28<sup>3</sup>/<sub>8</sub>" W x 24<sup>3</sup>/<sub>8</sub>" H



- Tub Finish  White Gloss
- Drain and Overflow Finish  White  
 Polished Chrome  
 Brushed Nickel  
 Matte Black

- Material Acrylic
- Slope of Backrest 129°
- Water Depth 15<sup>3</sup>/<sub>4</sub>"
- Capacity 57G
- Weight 85lbs
- Shipping Weight 127lbs

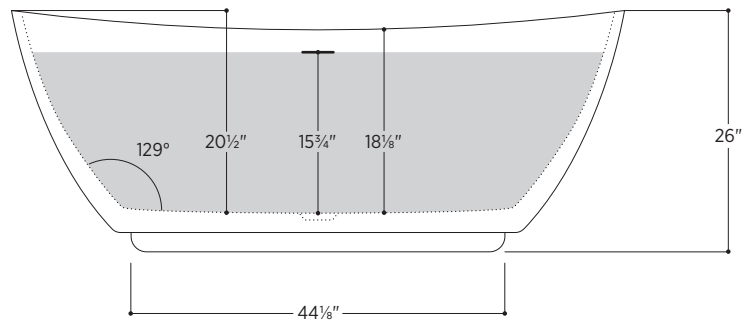
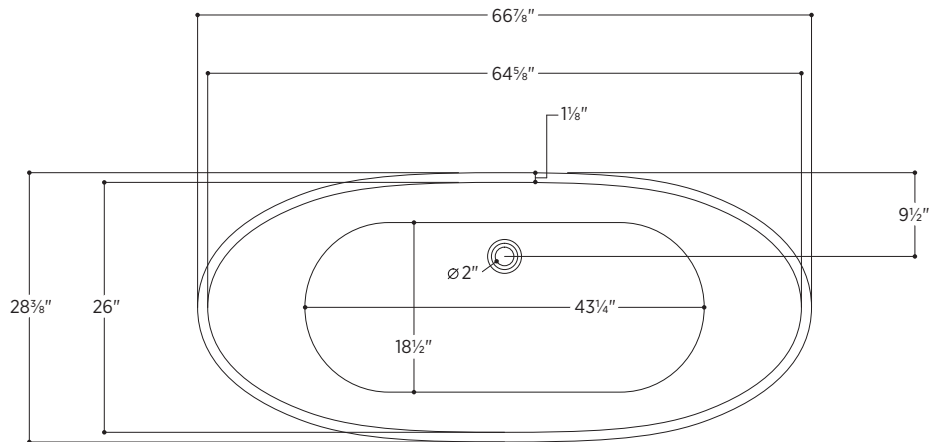


#### Foam Insulation *optional*

- Foam gives an added layer of solidity to the tub
- It reduces the noise level when filling
- It keeps the water warm longer

# Roma

PTRMA6728



All measurements are approximate and for comparison only. Please note that these dimensions and specifications are subject to change without notice.

Install this product according to the installation guide. Floor support under bath must provide for a minimum of 995lbs (451kg). Installation may vary. Our products must be installed by certified professionals only and according to our installation guide, as well as federal, provincial/state and local building codes and regulations.

Codes/Standards Applicable:  
Meets or exceeds ANSI/ASME standard Z124.1.2  
and CAN/CSA B 45 requirements  
IAPMO/UPC/cUPC



5 Year Warranty for Residential Use