

# Treviso

PLETRV6730

67<sup>1</sup>/<sub>8</sub>" L x 29<sup>1</sup>/<sub>2</sub>" W x 22<sup>7</sup>/<sub>8</sub>" H

2 other sizes available

PLETRV6328 63<sup>3</sup>/<sub>8</sub>" L x 27<sup>1</sup>/<sub>2</sub>" W x 22<sup>7</sup>/<sub>8</sub>" H

PLETRV7132 71" L x 31<sup>1</sup>/<sub>2</sub>" W x 22<sup>7</sup>/<sub>8</sub>" H



Tub Finish	<input type="radio"/> White Satin
Drain Finish	<input type="radio"/> Matte White
Material	Eco-Lapistone™
Slope of Backrest	110°
Water Depth	14 <sup>1</sup> / <sub>4</sub> "
Capacity	71G
Weight	280lbs
Shipping Weight	361lbs

 Made in Italy

## What is Eco-Lapistone™?

Eco-Lapistone™ is a velvety-smooth molded stone composite that is 100% recyclable and 30% lighter than standard solid surface material. Naturally antibacterial and stain-resistant, it retains heat longer for more relaxing soaks.



DURABLE



LIGHT



WARM



LUXURIOUS



ECO-FRIENDLY



HYGIENIC



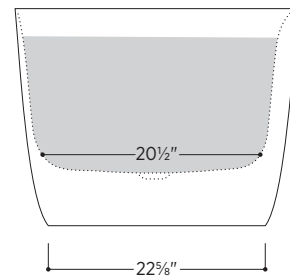
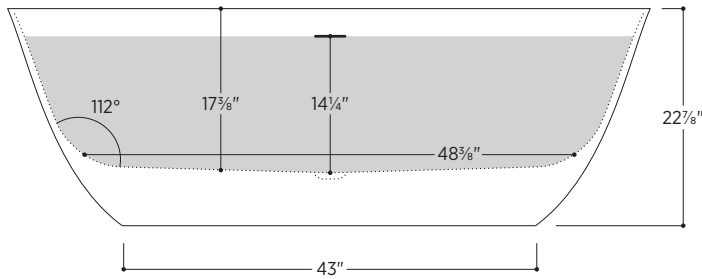
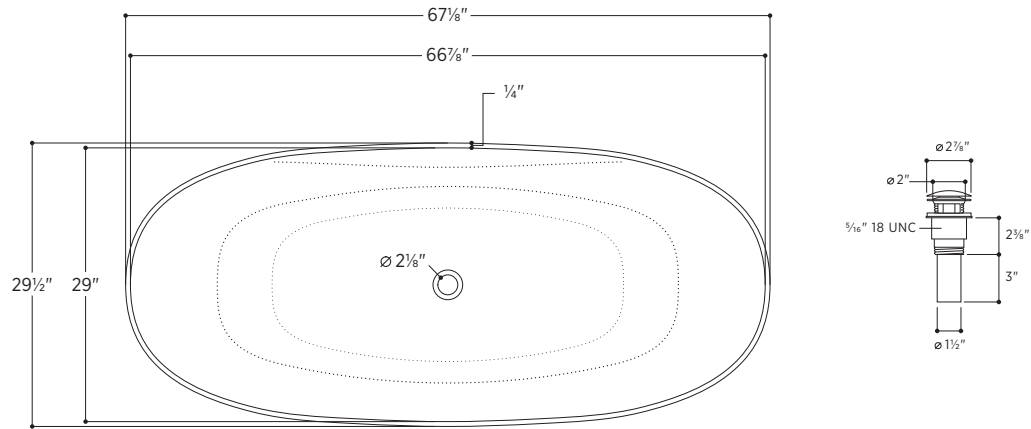
SUSTAINABLE



TRUFLOW™

# Treviso

PLETRV6730



All measurements are approximate and for comparison only. Please note that these dimensions and specifications are subject to change without notice.

Install this product according to the installation guide. Floor support under bath must provide for a minimum of 995lbs. Installation may vary. Our products must be installed by certified professionals only and according to our installation guide, as well as federal, provincial/state and local building codes and regulations.

Codes/Standards Applicable:  
Meets or exceeds ANSI/ASME standard Z124.1.2  
and CAN/CSA B 45 requirements  
IAPMO/UPC/cUPC

5 Year Warranty for Residential Use

