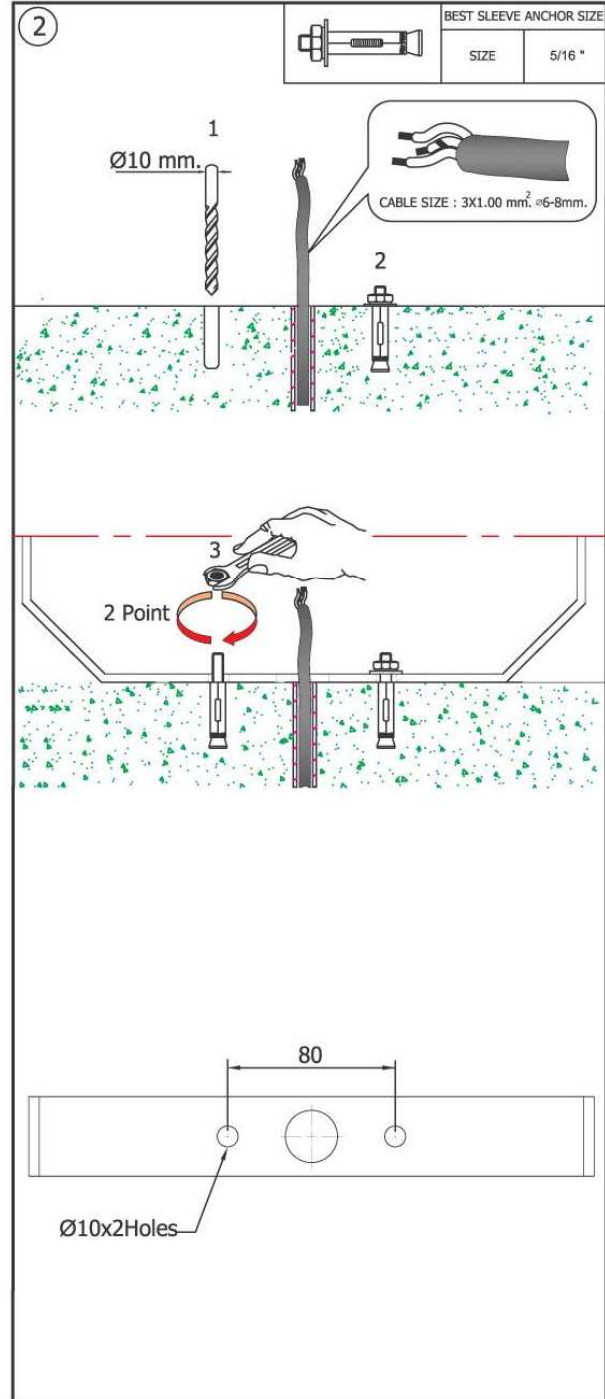
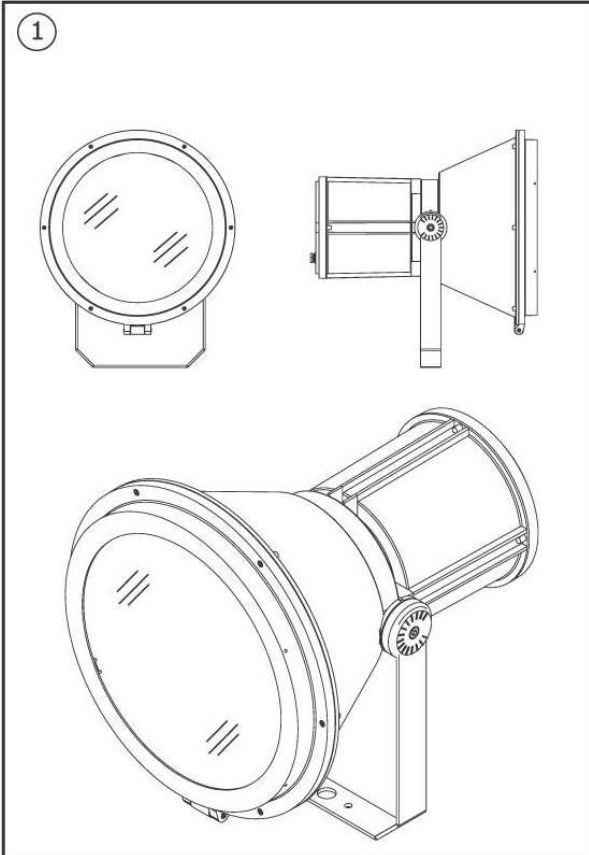
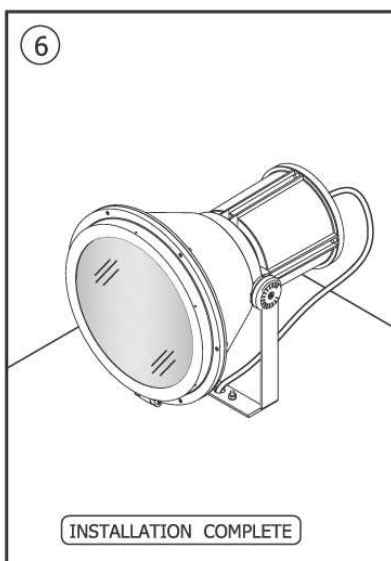
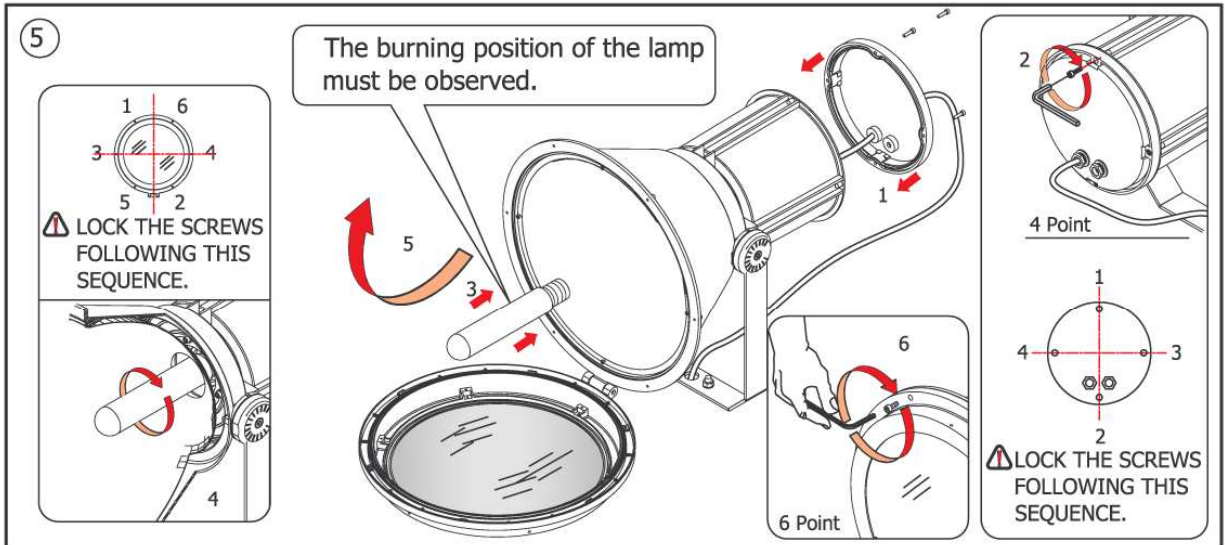
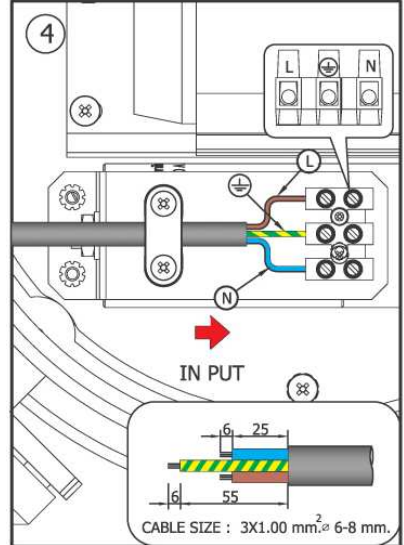
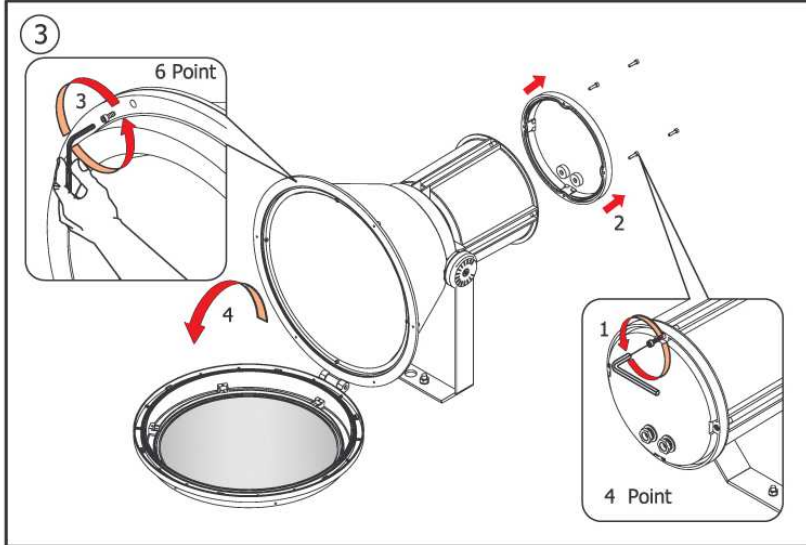


INSTALLATION MANUAL FOR PRODUCT CODE DL1012  
 PRODUCT NAME : DOMINGO



No.	Applicable lamp	Ordering Code
1.		
2.	230V 50Hz MAX HIT-CE 250W	599.1012.1.81.00.X
3.		
4.	230V 50Hz MAX HIT 400W	599.1012.1.78.00.X
5.		
6.	230V 50Hz MAX HIT-DE 400W	599.1012.1.82.00.X
7.		
8.	230V 50Hz MAX HST-MF 250W	599.1012.1.65.00.X
9.		
10.	230V 50Hz MAX HST-MF 400W	599.1012.1.66.00.X
11.		
12.	230V 50Hz MAX HST-DE 400W	599.1012.1.70.00.X





**REMARK :**

1. INSTALLATION SHOULD BE CARRIED OUT BY A QUALIFIED ELECTRICIAN IN ACCORDANCE WITH APPROPRIATE NATIONAL WIRING REGULATION.
2. DISCONNECT THE POWER BEFORE CHANGING THE LAMP.
3. THIS IS CLASS 1 LIGHTING FIXTURE AND MUST BE EARTHED.
4. DO NOT EXCEED THE MAXIMUM WATTAGE.

**WARNING**

1. THE MANUFACTURER WILL NOT BE LIABLE OR HELD RESPONSIBLE FOR ANY INCORRECT INSTALLATION , MISUSE OR IMPROPER USE AND UNAUTHORISED MODIFICATION ON THE FITTINGS. FAILURE TO COMPLY WITH MENTIONED WARNING MAY CAUSED SERIOUS DAMAGE OR SERIOUS INJURY TO THE PERSONS ANIMALS OR OBJECTS . IN CASE OF MODIFICATION IS REQUIRED PLEASE CONSULT YOU DEALER FOR THE DETAILS.
2. IN CASE OF DAMAGE HAS OCCURED TO THE FITTINGS,PLEASE MAKE THE REPLACEMENT WITH STANDARD PART(S) BEFORE USE.