

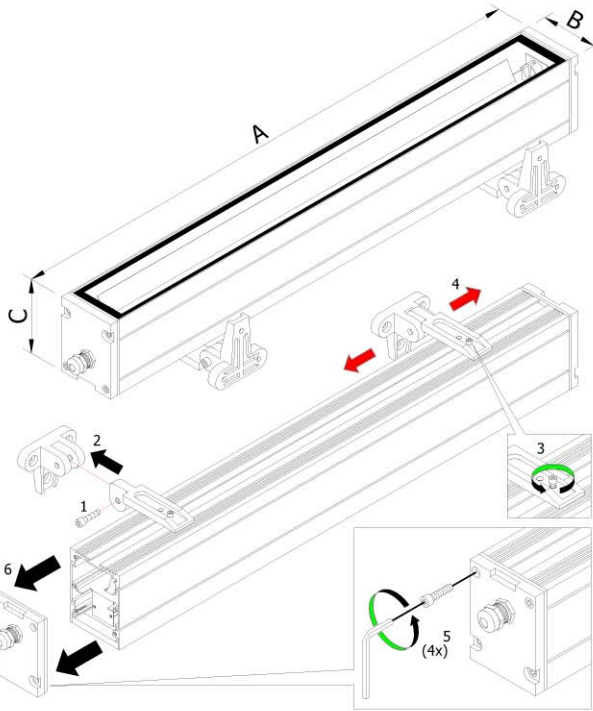
# INSTRUCTION MANUAL FOR DL-2000



1

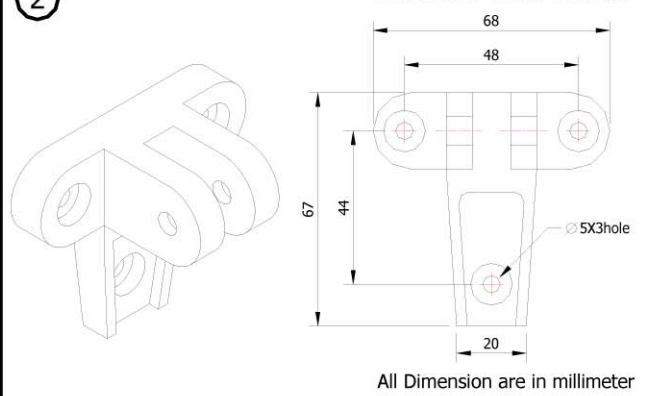
## DIMENSION

Linear Fluorescent lamp	A	B	C
T5 (T16) 14W	620	65	85
T5 (T16) 21W	925	65	85
T5 (T16) 28W	1220	65	85
T5 (T16) 35W	1520	65	85

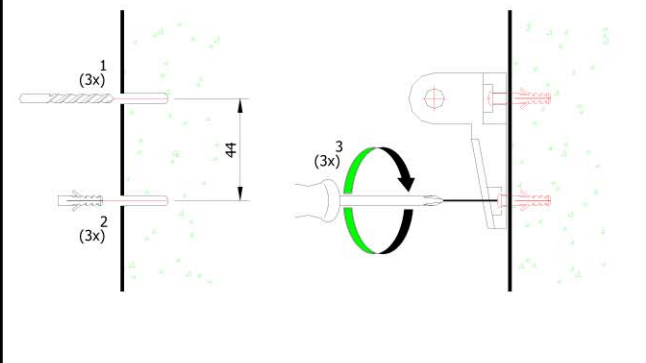


2

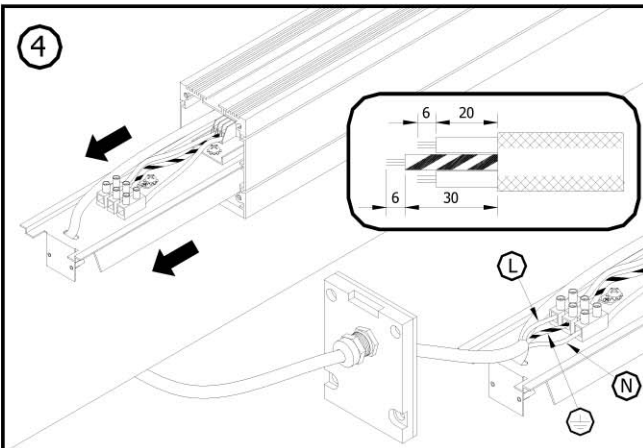
## ALUMINIUM WALL BRACKET



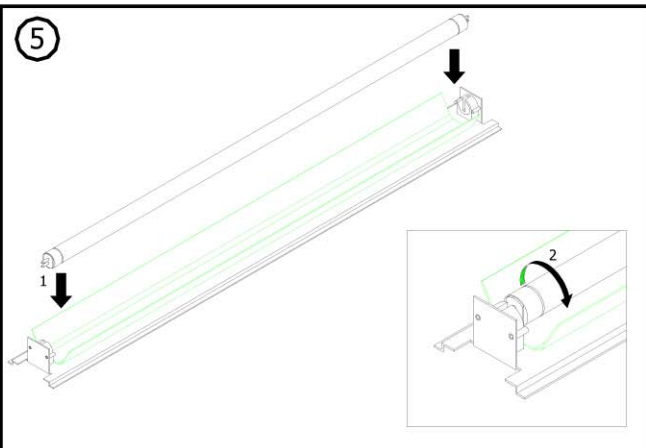
3



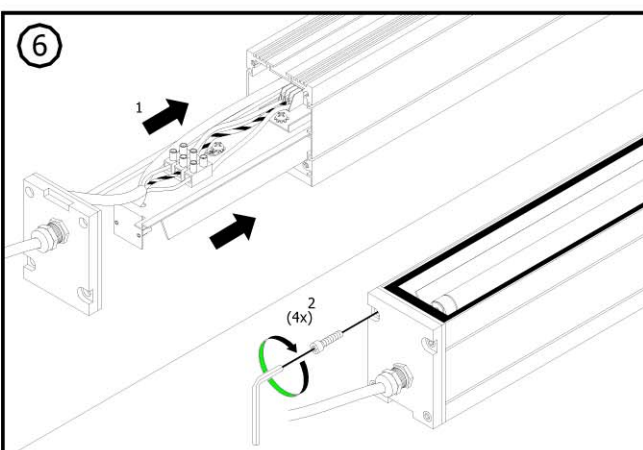
4



5



6



## Applicable lamp :

1	230V 50Hz MAX T5 (T16) 14W	4	230V 50Hz MAX T5 (T16) 35W
2	230V 50Hz MAX T5 (T16) 21W		
3	230V 50Hz MAX T5 (T16) 28W		

## REMARK :

- 1 INSTALLATION SHOULD BE CARRIED OUT BY A QUALIFIED ELECTRICIAN IN ACCORDANCE WITH APPROPRIATE NATIONAL WIRING REGULATION.
- 2 DISCONNECT THE POWER BEFORE CHANGING THE LAMP.
- 3 THIS IS CLASS 1 LIGHTING FIXTURE AND MUST BE EARTHED.
- 4 DO NOT EXCEED THE MAXIMUM WATTAGE.

**ilmax**