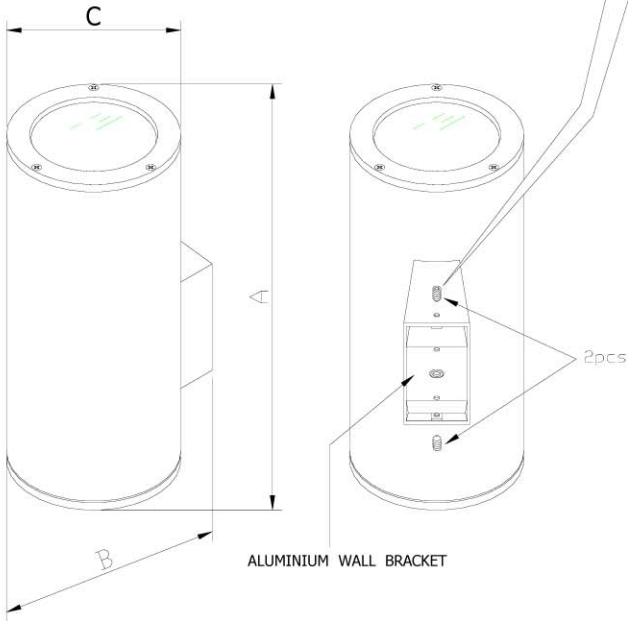




1

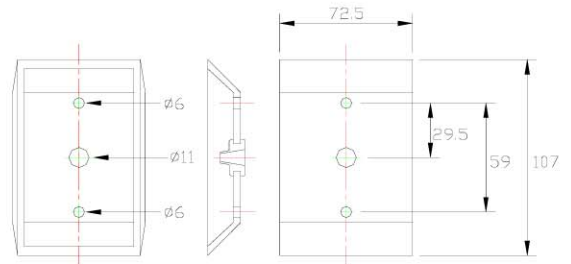
DIMENSION

	A	B	C
DL-3101	250	165	105
DL-3102	350	220	140
DL-3103	435	255	175



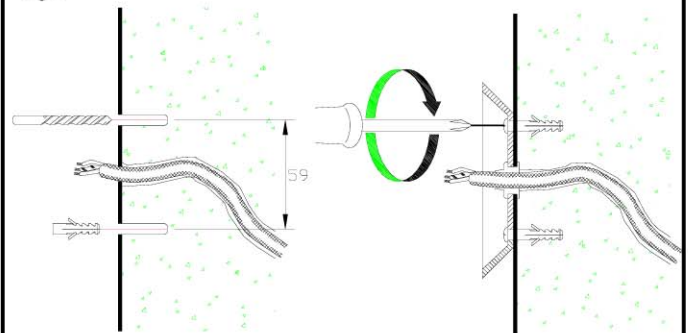
2

ALUMINIUM WALL BRACKET

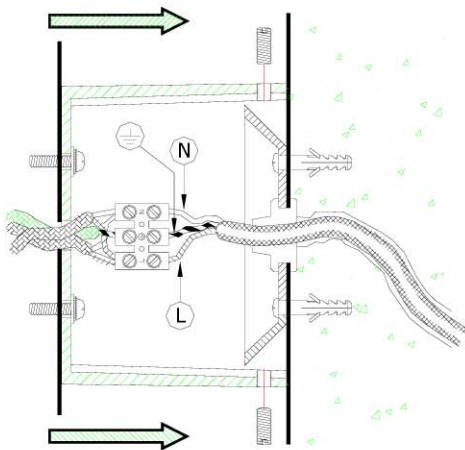


All Dimension are in millimeter

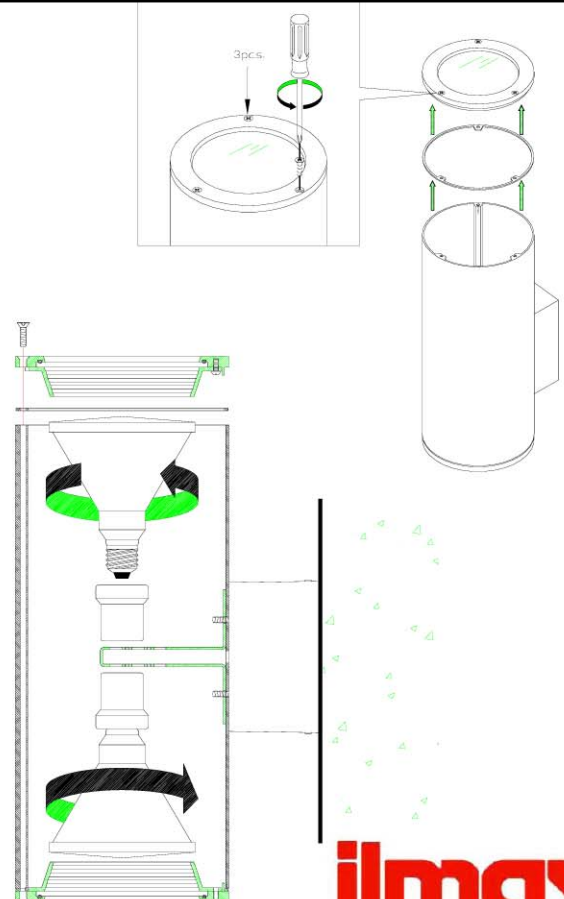
3



4



5



REMARK :

- 1 INSTALLATION SHOULD BE CARRIED OUT BY A QUALIFIED ELECTRICIAN IN ACCORDANCE WITH APPROPRIATE NATIONAL WIRING REGULATION.
- 2 DISCONNECT THE POWER BEFORE CHANGING THE LAMP.
- 3 THIS IS CLASS 1 LIGHTING FIXTURE AND MUST BE EARTHED.
- 4 DO NOT EXCEED THE MAXIMUM WATTAGE.

