

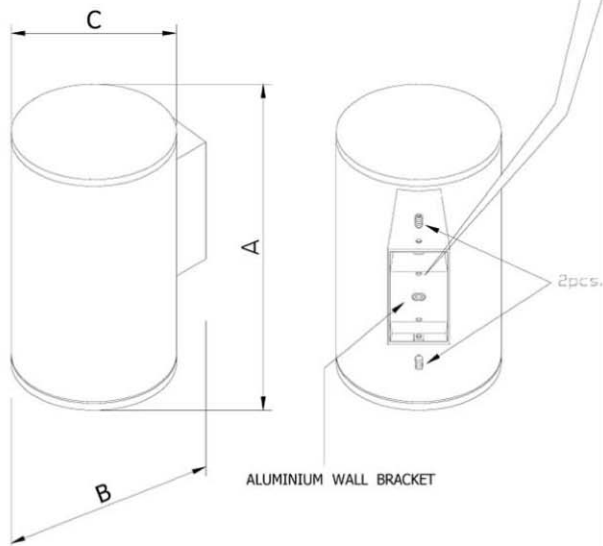
INSTRUCTION MANUAL FOR DL-3111



①

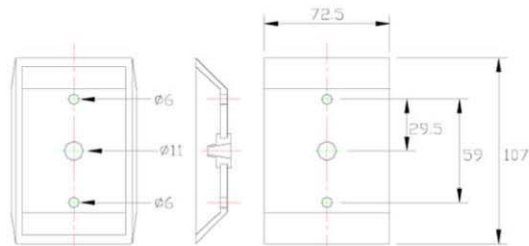
DIMENSION

	A	B	C
CD-5016	250	255	175



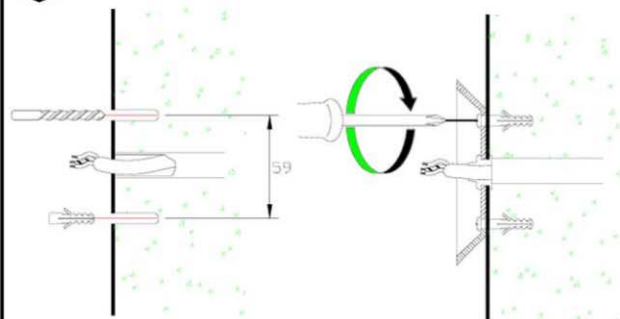
②

ALUMINIUM WALL BRACKET

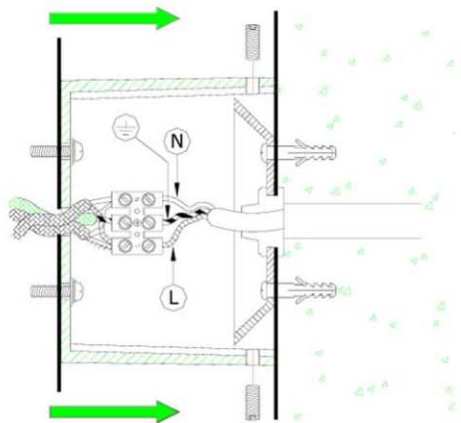


All Dimension are in millimeter

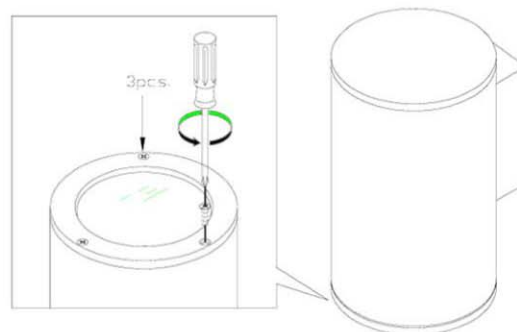
③



④



⑤



Applicable lamp :

1	230V 50Hz MAX HIT 70W

REMARK :

- 1 INSTALLATION SHOULD BE CARRIED OUT BY A QUALIFIED ELECTRICIAN IN ACCORDANCE WITH APPROPRIATE NATIONAL WIRING REGULATION.
- 2 DISCONNECT THE POWER BEFORE CHANGING THE LAMP.
- 3 THIS IS CLASS 1 LIGHTING FIXTURE AND MUST BE EARTHED.
- 4 DO NOT EXCEED THE MAXIMUM WATTAGE.

ilmax

